



PARTS CATALOGUE

VK540EF (8KA1) EUROPE

VK540E (8KA1) RUSSIAN FEDERATION

VK540IV (8KA1) JAPAN

VK540EF
VK540E/VK540IV
PARTS CATALOGUE
©2014 by Yamaha Motor Co., Ltd.
1st edition, March 2014
All rights reserved.
Any reprinting or unauthorized use
without the written permission of
Yamaha Motor Co., Ltd.
is expressly prohibited.
Printed in Japan.

FOREWORD

This Parts Catalogue is related to the parts for the model(s) on the cover page. When you are ordering replacement parts, please refer to this Parts Catalogue and quote both part numbers and part names correctly.

1. Modifications or additions which have been made after the issue of the Parts Catalogue will be announced in the Parts News.

It is advisable that you make the necessary corrections to the Parts Catalogue according to the Parts News.

2. Abbreviations

The following abbreviations are used in this Parts Catalogue.

“UR” Use specified parts number.

“UN” Use as many as needed.

“AP” Alternate Parts

“LM” Locally Made (Parts need to be ordered locally)

“F#” Frame No. (Applicable machine No.)

“O/S” Over Size

3. The number of components for assembly

- Parts, which are to be supplied in an assembly, are listed with a dot (.) in front of the part name as shown below.
- The numeral appearing to the right of each component part indicates the quantity of parts for each assembly unit.

| PART NO. | DESCRIPTION | Q'TY | REMARKS |
|--------------|--------------------------|------|---------|
| 2F5-83310-60 | FRONT FLASHER LIGHT ASSY | 2 | |
| 115-83311-60 | .BULB (6V-18W) | 1 | |

4. Applicable colours of graphics are represented in the “REMARKS” as shown below.

| PART NO. | DESCRIPTION | Q'TY | REMARKS |
|-----------------|---------------------|------|---------|
| 2N4-24110-00-X5 | FUEL TANK COMP. | 2 | MXR |
| 3J1-24240-10 | .GRAPHIC, FUEL TANK | 1 | FOR MXR |

5. Note that the illustrations for reference in finding parts numbers are not to be used for assembling. When assembling, please use the applicable service manual.

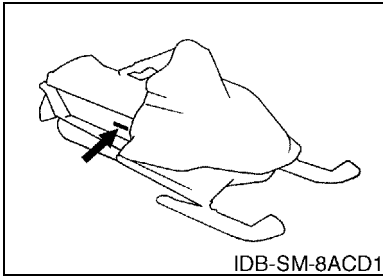
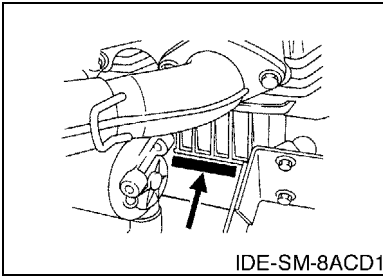
6. The asterisk (*) before a reference number indicates modified items after the first edition.

FOREWORD

7. Applicable Serial No.

Engine Serial No.

Frame Serial No.



10. Applicable Starting Serial No.

Frame Serial No.

| Serial No. | Name Of Q'ty Column | Model Code |
|------------|---------------------|------------|
| | EUR | 8KA1 |
| | RUS | 8KA1 |
| | JPN | 8KA1 |
| | | |
| | | |

8. Applicable Colour Code (The (*) mark shows Model colour.)

| Abbreviation | Colour Name | Colour Code |
|--------------|------------------|-------------|
| S3(*) | SILVER 3 | 0791 |
| SMX(*) | BLACK METALLIC X | 0903 |
| | | |
| | | |
| | | |
| | | |
| | | |
| | | |
| | | |

9. Quantity Column Information

| Column No. | Name Of Q'ty Column | Destination |
|------------|---------------------|--------------------|
| 1 | EUR | EUROPE |
| 2 | RUS | RUSSIAN FEDERATION |
| 3 | JPN | JAPAN |
| | | |
| | | |

CONTENTS

ENGINE

| | |
|---------------------------|----|
| CYLINDER HEAD | 1 |
| CRANKSHAFT & PISTON | 2 |
| AIR SHROUD & FAN | 4 |
| OIL PUMP | 6 |
| PUMP DRIVE GEAR | 7 |
| INTAKE | 8 |
| CARBURETOR | 10 |
| EXHAUST | 12 |
| CRANKCASE | 13 |
| STARTER | 14 |

DRIVE

| | |
|------------------------|----|
| PRIMARY SHEAVE | 15 |
| SECONDARY SHEAVE | 17 |

BODY

| | |
|---------------------------|----|
| ENGINE BRACKET | 18 |
| OIL TANK | 19 |
| FRAME | 20 |
| SKI | 23 |
| STEERING | 26 |
| STEERING GATE | 28 |
| FUEL TANK | 29 |
| SEAT | 31 |
| BRAKE | 32 |
| CONTROL CABLE | 33 |
| TRACK SUSPENSION 1 | 34 |
| TRACK SUSPENSION 2 | 37 |
| TRACK SUSPENSION 3 | 40 |
| TRACK DRIVE 1 | 41 |
| TRACK DRIVE 2 | 42 |
| TRACK DRIVE 3 | 45 |
| SHROUD | 47 |
| EMBLEM | 50 |
| WINDSHIELD | 51 |
| GUARD & LUGGAGE BOX | 52 |
| BUMPER | 53 |
| INSTRUMENT PANEL | 55 |

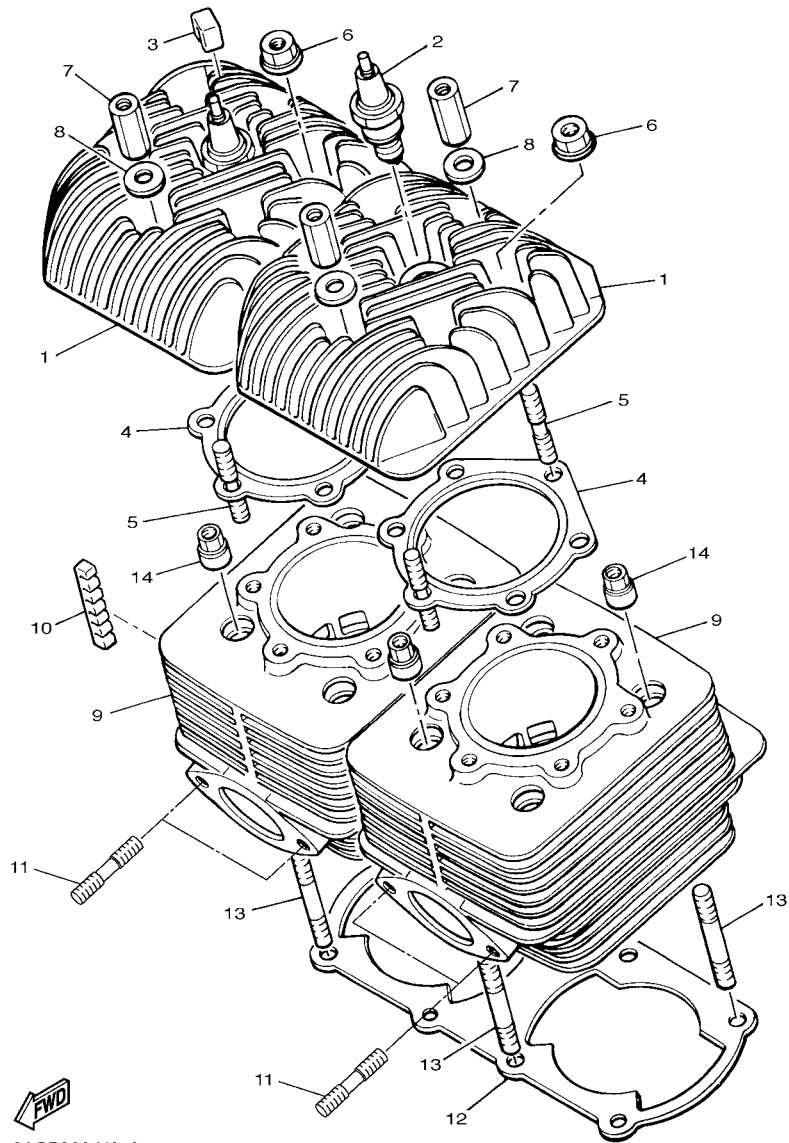
ELECTRICAL

| | |
|-----------------|----|
| GENERATOR | 57 |
|-----------------|----|

| | |
|------------------------------------|----|
| STARTING MOTOR | 58 |
| METER | 59 |
| HEADLIGHT | 60 |
| TAILLIGHT | 61 |
| HANDLE SWITCH & LEVER | 62 |
| ELECTRICAL 1 | 63 |
| ELECTRICAL 2 | 65 |
| ELECTRICAL 3 | 66 |
| ALTERNATE REAR VIEW MIRROR | 67 |
| ALTERNATE REBUILD KIT | 68 |
| ALTERNATE CLUTCH TUNE UP KIT | 69 |

INDEX

| | |
|-----------------------|----|
| NUMERICAL INDEX | 70 |
|-----------------------|----|



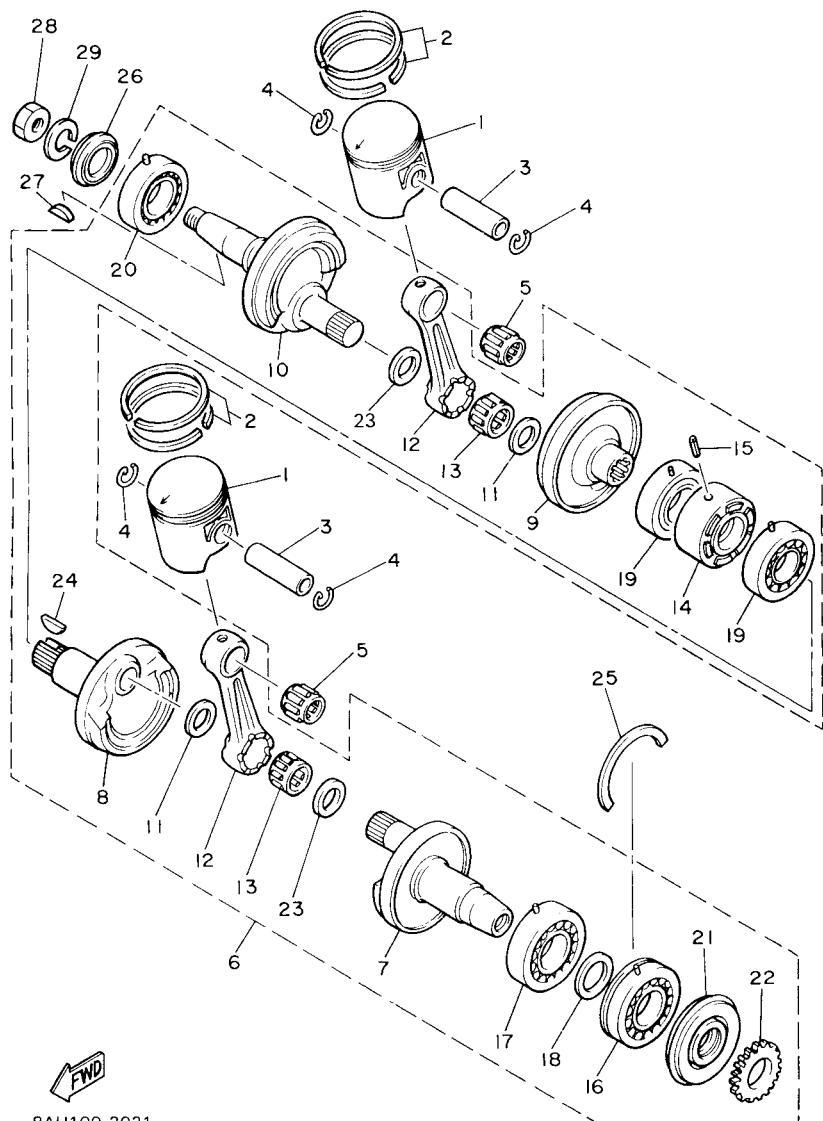
8ACP300-H010

FIG. 1 CYLINDER HEAD

| REF. NO. | PART NO. | DESCRIPTION | EUR | RUS | JPN | REMARKS |
|----------|--------------|-------------------------|-----|-----|-----|---------|
| 1 | 8R6-11111-00 | HEAD, CYLINDER 1 | 2 | 2 | 2 | |
| 2 | 94702-00188 | PLUG, SPARK (NGK BR9ES) | 2 | 2 | | |
| | 94709-00188 | PLUG, SPARK (NGK BR9ES) | | | 2 | |
| 3 | 83R-11161-00 | ABSORBER 1 | 12 | 12 | 12 | |
| 4 | 83R-11181-00 | GASKET, CYLINDER HEAD 1 | 2 | 2 | 2 | |
| 5 | 90116-08104 | BOLT, STUD | 12 | 12 | 12 | |
| 6 | 95707-08500 | NUT, FLANGE | 8 | 8 | 8 | |
| 7 | 90179-08269 | NUT | 4 | 4 | 4 | |
| 8 | 90201-08100 | WASHER, PLATE | 4 | 4 | 4 | |
| 9 | 83R-11311-00 | CYLINDER 1 | 2 | 2 | 2 | |
| 10 | 83R-11162-00 | ABSORBER 2 | 8 | 8 | 8 | |
| 11 | 95612-08318 | BOLT, STUD | 4 | 4 | 4 | |
| 12 | 89N-11351-00 | GASKET, CYLINDER | 1 | 1 | 1 | |
| 13 | 90116-08302 | BOLT, STUD | 8 | 8 | 8 | |
| 14 | 90179-08044 | NUT | 8 | 8 | 8 | |

FIG. 2 CRANKSHAFT & PISTON

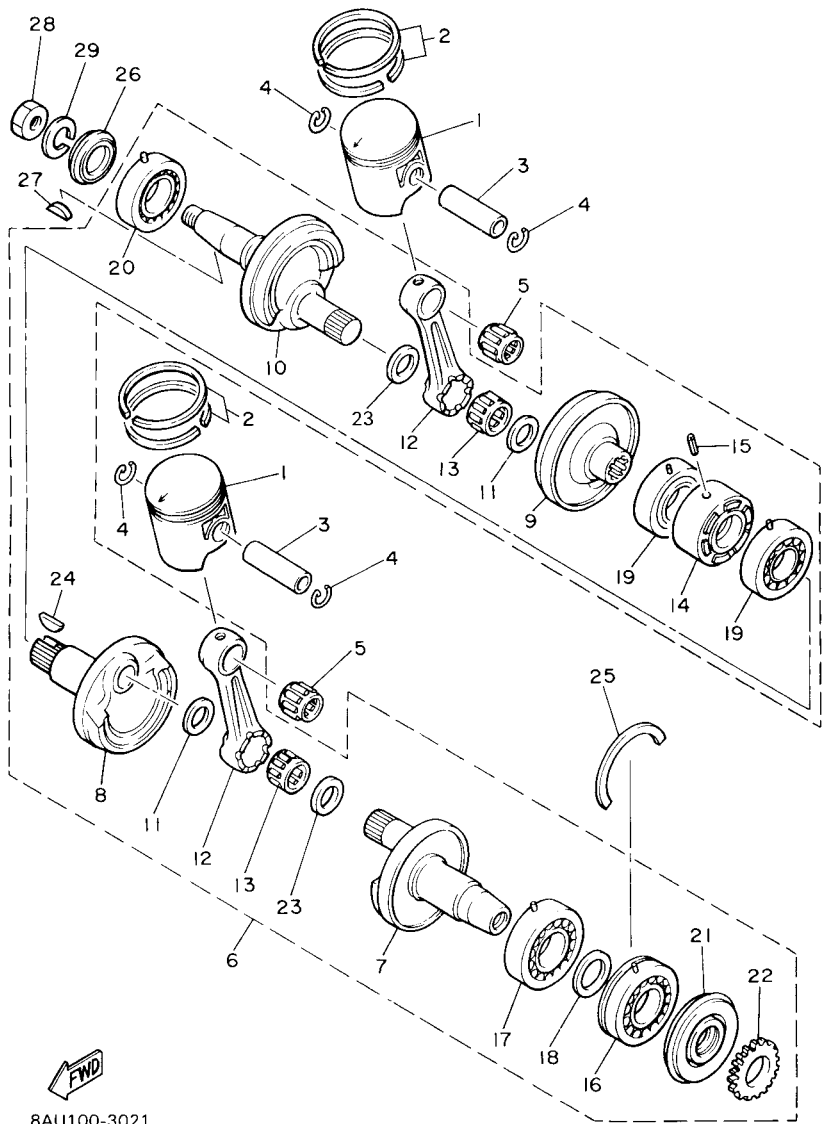
| REF. NO. | PART NO. | DESCRIPTION | EUR | RUS | JPN | REMARKS |
|----------|-----------------|------------------------------|-----|-----|-----|---------|
| 1 | 8R6-11631-00-95 | PISTON (STD) | 2 | 2 | 2 | |
| | 8R6-11635-00 | PISTON (0.25MM O/S) | 2 | 2 | 2 | AP |
| | 8R6-11636-00 | PISTON (0.50MM O/S) | 2 | 2 | 2 | AP |
| 2 | 8R6-11601-00 | PISTON RING SET (STD) | 2 | 2 | 2 | |
| | 8R6-11601-10 | PISTON RING SET (0.25MM O/S) | 2 | 2 | 2 | AP |
| | 8R6-11601-20 | PISTON RING SET (0.50MM O/S) | 2 | 2 | 2 | AP |
| 3 | 8H8-11633-00 | PIN, PISTON | 2 | 2 | 2 | |
| 4 | 93450-21053 | CIRCLIP | 4 | 4 | 4 | |
| 5 | 93310-320G0 | BEARING | 2 | 2 | 2 | |
| 6 | 8AT-11400-01 | CRANKSHAFT ASSY | 1 | 1 | 1 | |
| 7 | 83R-11412-01 | .CRANK 1 | 1 | 1 | 1 | |
| 8 | 8H8-11422-01 | .CRANK 2 | 1 | 1 | 1 | |
| 9 | 8H8-11432-01 | .CRANK 3 | 1 | 1 | 1 | |
| 10 | 8AT-11442-00 | .CRANK 4 | 1 | 1 | 1 | |
| 11 | 90209-24073 | .WASHER | 2 | 2 | 2 | |
| 12 | 8R6-11651-00 | .ROD, CONNECTING | 2 | 2 | 2 | |
| 13 | 93310-524K4 | .BEARING | 2 | 2 | 2 | |
| 14 | 8H8-11515-00 | .SEAL, LABYRINTH 1 | 1 | 1 | 1 | |
| 15 | 91609-30010 | .PIN, SPRING | 1 | 1 | 1 | |
| 16 | 93306-30627 | .BEARING | 1 | 1 | 1 | |
| 17 | 93306-30628 | .BEARING | 1 | 1 | 1 | |
| 18 | 90201-33299 | .WASHER, PLATE | 1 | 1 | 1 | |
| 19 | 93306-20617 | .BEARING | 2 | 2 | 2 | |
| 20 | 93306-20620 | .BEARING | 1 | 1 | 1 | |
| 21 | 93103-32095 | .OIL SEAL | 1 | 1 | 1 | |
| 22 | 8K2-13178-00 | .GEAR, PUMP DRIVE | 1 | 1 | 1 | |
| 23 | 8A7-11685-00 | .WASHER, CRANK PIN | 2 | 2 | 2 | |



FWD
8AU100-3021

FIG. 2 CRANKSHAFT & PISTON

| REF. NO. | PART NO. | DESCRIPTION | EUR | RUS | JPN | REMARKS |
|----------|-------------|----------------|-----|-----|-----|---------|
| 24 | 90280-05014 | .KEY, WOODRUFF | 1 | 1 | 1 | |
| 25 | 93440-78069 | CIRCLIP | 1 | 1 | 1 | |
| 26 | 93103-32156 | OIL SEAL | 1 | 1 | 1 | |
| 27 | 90280-05002 | KEY, WOODRUFF | 1 | 1 | 1 | |
| 28 | 90170-16425 | NUT | 1 | 1 | 1 | |
| 29 | 92907-16100 | WASHER | 1 | 1 | 1 | |
| | | | | | | |
| | | | | | | |
| | | | | | | |
| | | | | | | |
| | | | | | | |
| | | | | | | |
| | | | | | | |
| | | | | | | |
| | | | | | | |
| | | | | | | |
| | | | | | | |



8AU100-3021

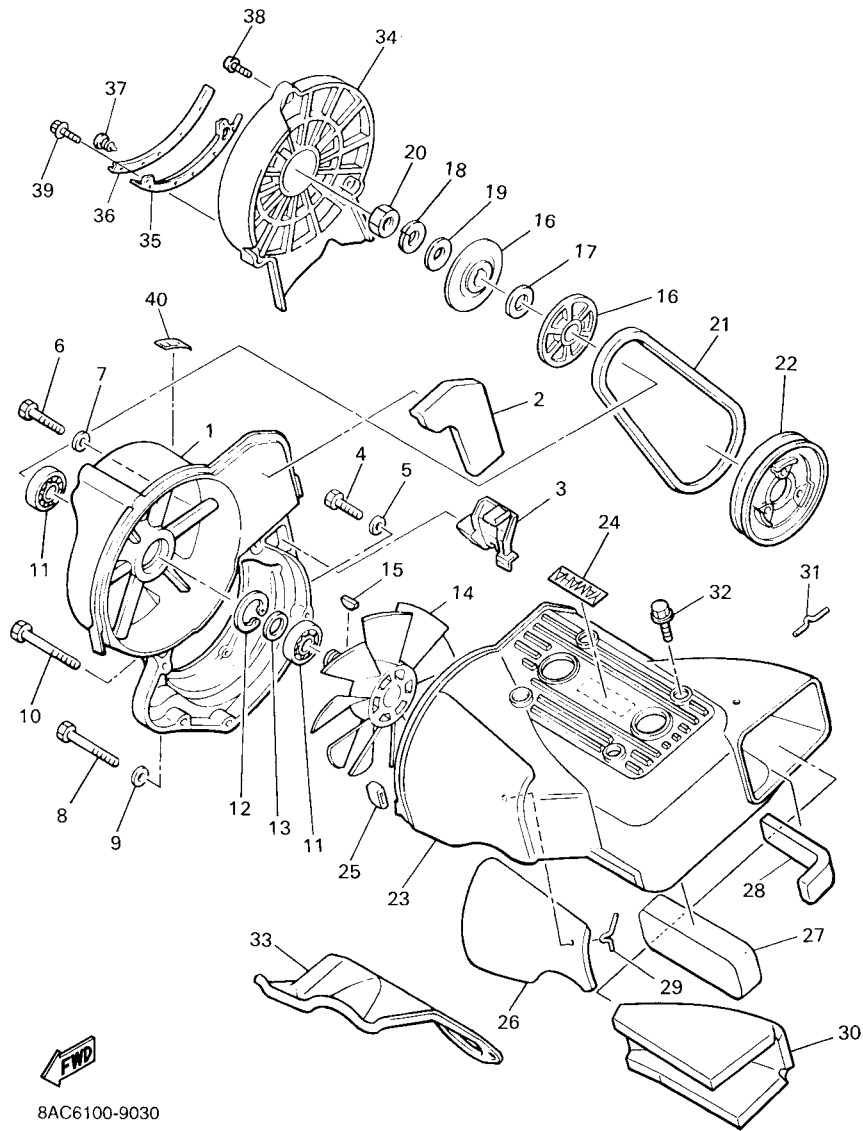


FIG. 3 AIR SHROUD & FAN

| REF. NO. | PART NO. | DESCRIPTION | EUR | RUS | JPN | REMARKS |
|----------|--------------|------------------------|-----|-----|-----|---------|
| 1 | 88F-12621-02 | CASE, FAN | 1 | 1 | 1 | |
| 2 | 8Y0-12679-00 | DAMPER, SHROUD 6 | 1 | 1 | 1 | |
| 3 | 8Y0-12658-00 | DAMPER, AIR SHROUD 1 | 1 | 1 | 1 | |
| 4 | 97027-08040 | BOLT, HEXAGON | 2 | 2 | 2 | |
| 5 | 92907-08600 | WASHER, PLATE | 2 | 2 | 2 | |
| 6 | 97022-08055 | BOLT, HEXAGON | 1 | 1 | 1 | |
| 7 | 92902-08600 | WASHER, PLATE | 1 | 1 | 1 | |
| 8 | 97027-08075 | BOLT, HEXAGON | 1 | 1 | 1 | |
| 9 | 92907-08600 | WASHER, PLATE | 1 | 1 | 1 | |
| 10 | 97027-08075 | BOLT, HEXAGON | 1 | 1 | 1 | |
| 11 | 93306-20315 | BEARING | 2 | 2 | 2 | |
| 12 | 99009-40500 | CIRCLIP | 1 | 1 | 1 | |
| 13 | 90201-17713 | WASHER, PLATE | 1 | 1 | 1 | |
| 14 | 8H8-12611-01 | FAN | 1 | 1 | 1 | |
| 15 | 90280-05014 | KEY, WOODRUFF | 1 | 1 | 1 | |
| 16 | 8H8-12619-01 | PULLEY 2 | 2 | 2 | 2 | |
| 17 | 90214-17017 | WASHER, CLAW (0.5T) | 1 | 1 | 1 | UR UN |
| | 90214-17018 | WASHER, CLAW (1.0T) | 1 | 1 | 1 | UR UN |
| 18 | 92907-16100 | WASHER | 1 | 1 | 1 | |
| 19 | 90201-17713 | WASHER, PLATE | 1 | 1 | 1 | |
| 20 | 90170-16425 | NUT | 1 | 1 | 1 | |
| 21 | 8H8-12612-00 | BELT | 1 | 1 | 1 | |
| 22 | 8H8-12618-01 | PULLEY 1 | 1 | 1 | 1 | |
| 23 | 8H8-12651-02 | AIR SHROUD, CYLINDER 1 | 1 | 1 | 1 | |
| 24 | 99246-00080 | EMBLEM, YAMAHA | 1 | 1 | 1 | |
| 25 | 8H8-12658-00 | DAMPER, AIR SHROUD 1 | 2 | 2 | 2 | |
| 26 | 8H8-12659-00 | DAMPER, AIR SHROUD 2 | 1 | 1 | 1 | |

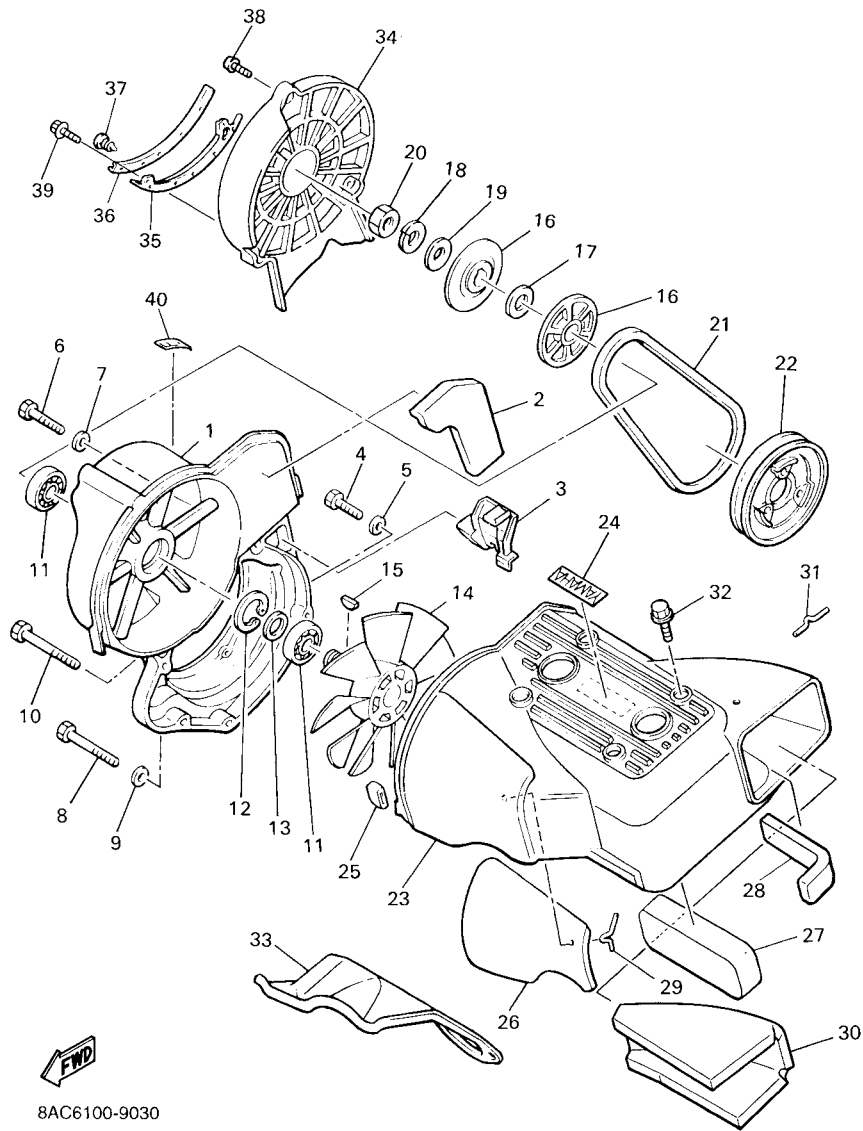
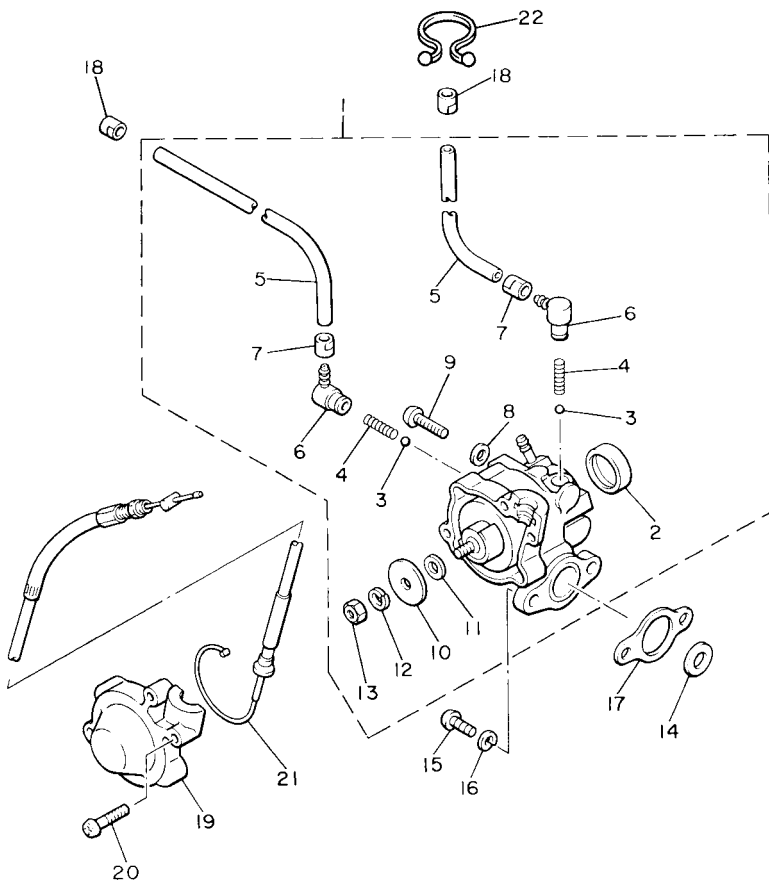


FIG. 3 AIR SHROUD & FAN

| REF. NO. | PART NO. | DESCRIPTION | EUR | RUS | JPN | REMARKS |
|----------|--------------|------------------------|-----|-----|-----|---------|
| 27 | 8H8-12669-00 | DAMPER, AIR SHROUD 4 | 1 | 1 | 1 | |
| 28 | 8V8-12678-00 | DAMPER, AIR SHROUD 5 | 1 | 1 | 1 | |
| 29 | 91401-16025 | PIN, COTTER | 3 | 3 | 3 | |
| 30 | 8AT-12679-00 | DAMPER, SHROUD 6 | 1 | 1 | 1 | |
| 31 | 91401-16025 | PIN, COTTER | 3 | 3 | 3 | |
| 32 | 90119-06108 | BOLT, WITH WASHER | 4 | 4 | 4 | |
| 33 | 8H8-12652-00 | AIR SHROUD, CYLINDER 2 | 1 | 1 | 1 | |
| 34 | 8L0-12616-00 | COVER, FAN CASE | 1 | 1 | 1 | |
| 35 | 8Y0-12637-02 | STAY 1 | 1 | 1 | 1 | |
| 36 | 8Y0-12687-02 | DAMPER, DUCT 4 | 1 | 1 | 1 | |
| 37 | 90269-05051 | RIVET | 5 | 5 | 5 | |
| 38 | 98902-06025 | SCREW, BIND | 2 | 2 | 2 | |
| 39 | 95802-06025 | BOLT, FLANGE | 1 | 1 | 1 | |
| 40 | 8AC-1262A-E0 | LABEL, WARNING 2 | 1 | | 1 | |
| | 8AC-1262A-R1 | LABEL, WARNING 2 | | | 1 | |



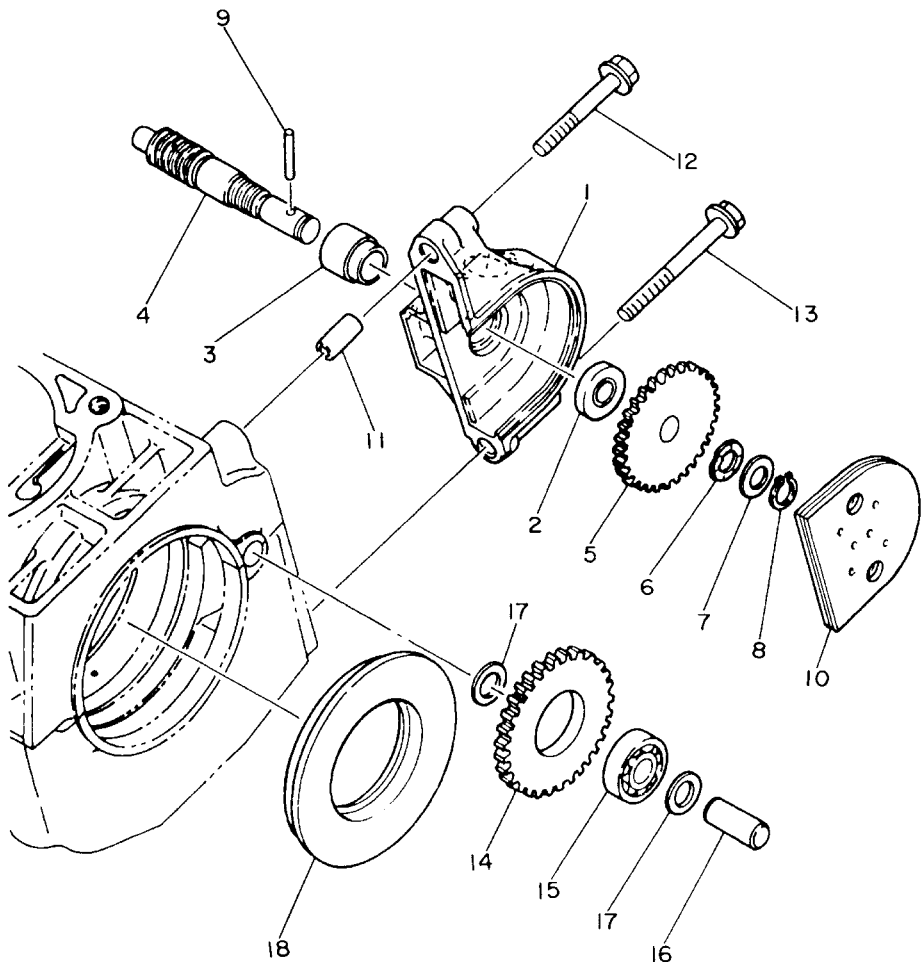

 8AU100-3040

FIG. 4 OIL PUMP

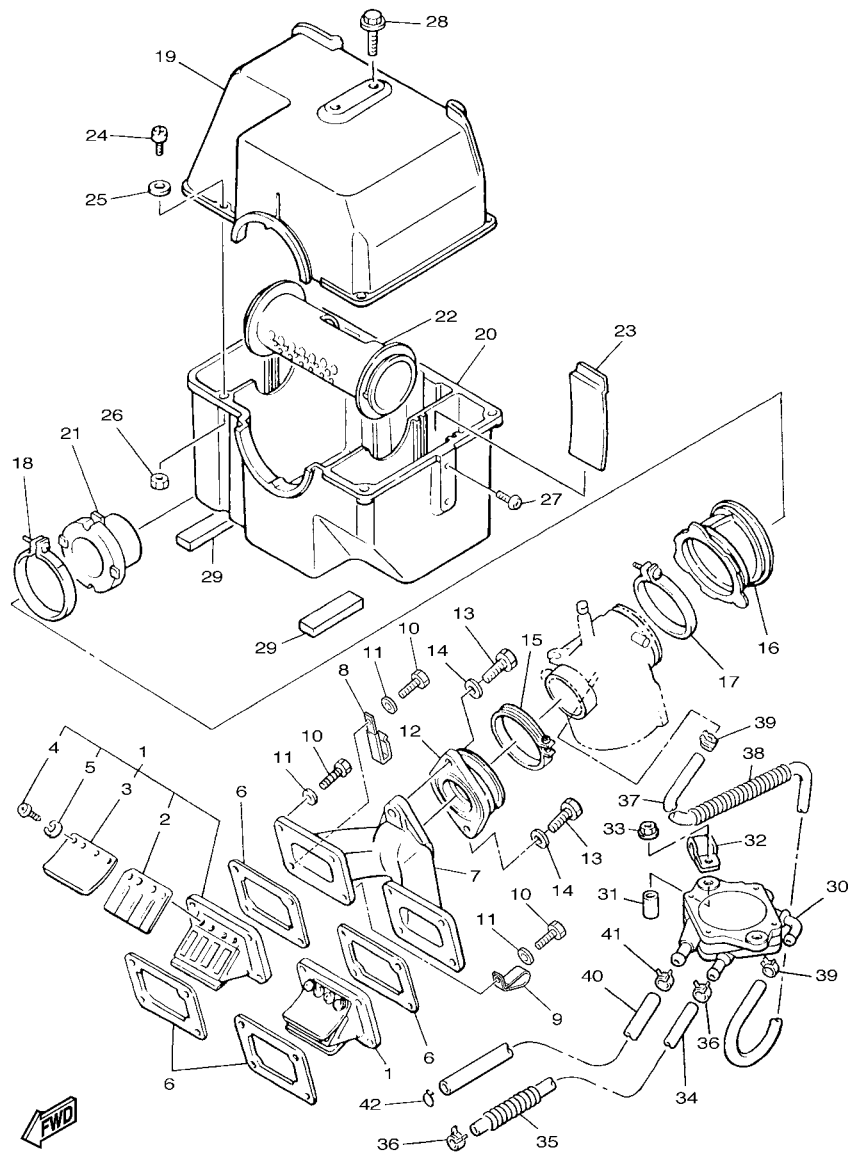
| REF. NO. | PART NO. | DESCRIPTION | EUR | RUS | JPN | REMARKS |
|----------|--------------|-----------------------|-----|-----|-----|---------|
| 1 | 8AT-13101-00 | OIL PUMP ASSY | 1 | 1 | 1 | |
| 2 | 90338-21075 | .PLUG | 1 | 1 | 1 | |
| 3 | 93505-32002 | .BALL | 2 | 2 | 2 | |
| 4 | 90501-02217 | .SPRING, COMPRESSION | 2 | 2 | 2 | |
| 5 | 91A30-03042 | .TUBE, FLEXIBLE VINYL | 2 | 2 | 2 | |
| 6 | 353-13552-01 | .NOZZLE | 2 | 2 | 2 | |
| 7 | 90468-02025 | .CLIP | 2 | 2 | 2 | |
| 8 | 90430-04004 | .GASKET | 1 | 1 | 1 | |
| 9 | 98902-04020 | .SCREW, BIND | 1 | 1 | 1 | |
| 10 | 137-13138-01 | .PLATE, ADJUSTING | 1 | 1 | 1 | |
| 11 | 137-13137-00 | .SHIM, PLUNGER | 1 | 1 | 1 | |
| 12 | 92901-05100 | .WASHER, SPRING | 1 | 1 | 1 | |
| 13 | 95301-05600 | .NUT | 1 | 1 | 1 | |
| 14 | 90201-08624 | WASHER, PLATE | 1 | 1 | 1 | |
| 15 | 98507-05016 | SCREW, PAN HEAD | 2 | 2 | 2 | |
| 16 | 92907-05100 | WASHER, SPRING | 2 | 2 | 2 | |
| 17 | 8Y0-13116-01 | GASKET, PUMP CASE | 1 | 1 | 1 | |
| 18 | 90468-02025 | CLIP | 2 | 2 | 2 | |
| 19 | 8A5-13146-01 | COVER,ADJUST PULLEY | 1 | 1 | 1 | |
| 20 | 98507-04018 | SCREW, PAN HEAD | 3 | 3 | 3 | |
| 21 | 8L8-26320-04 | PUMP CABLE ASSY | 1 | 1 | 1 | |
| 22 | 90464-16039 | CLAMP | 1 | 1 | 1 | |

FIG. 5 PUMP DRIVE GEAR

| REF. NO. | PART NO. | DESCRIPTION | EUR | RUS | JPN | REMARKS |
|----------|--------------|-------------------------|-----|-----|-----|---------|
| 1 | 8AT-15416-00 | COVER, OIL PUMP | 1 | 1 | 1 | |
| 2 | 93101-10001 | OIL SEAL | 1 | 1 | 1 | |
| 3 | 821-13176-00 | METAL, WORM SHAFT OUTER | 1 | 1 | 1 | |
| 4 | 866-13175-00 | SHAFT, WORM | 1 | 1 | 1 | |
| 5 | 821-13188-00 | GEAR, DRIVE (32T) | 1 | 1 | 1 | |
| 6 | 90206-11016 | WASHER, WAVE | 1 | 1 | 1 | |
| 7 | 137-13148-00 | PLATE, CAM THRUST | 1 | 1 | 1 | |
| 8 | 99009-10400 | CIRCLIP | 1 | 1 | 1 | |
| 9 | 93603-22028 | PIN, DOWEL | 1 | 1 | 1 | |
| 10 | 8K4-15426-00 | COVER, OIL PUMP 2 | 1 | 1 | 1 | |
| 11 | 99530-08016 | PIN, DOWEL | 2 | 2 | 2 | |
| 12 | 95022-06040 | BOLT, FLANGE | 1 | 1 | 1 | |
| 13 | 95022-06055 | BOLT, FLANGE | 1 | 1 | 1 | |
| 14 | 8H8-13179-00 | GEAR, IDLE (34T) | 1 | 1 | 1 | |
| 15 | 93306-00002 | BEARING | 1 | 1 | 1 | |
| 16 | 8G8-13342-00 | SHAFT, IDLE GEAR | 1 | 1 | 1 | |
| 17 | 90201-10119 | WASHER, PLATE | 2 | 2 | 2 | |
| 18 | 8K4-13119-00 | SEAL, GREASE | 1 | 1 | 1 | |



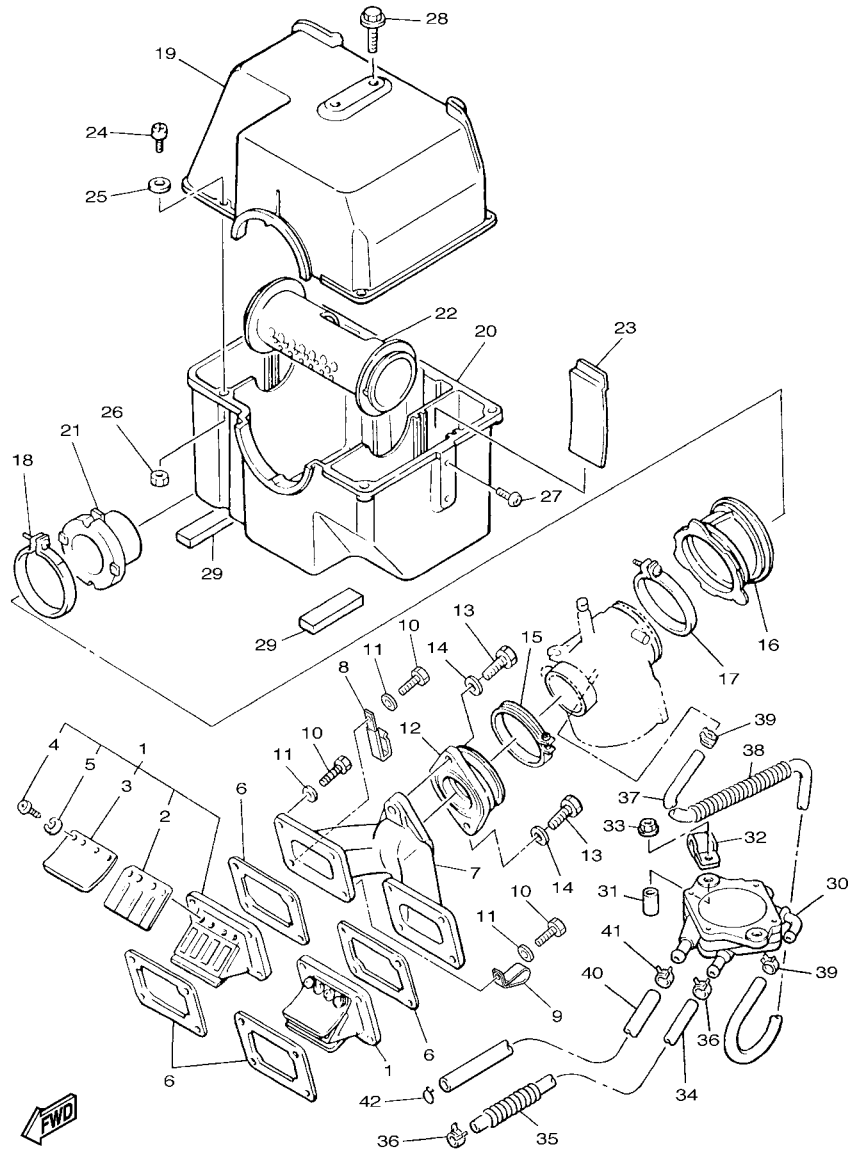
8AU100-3050



8JD1100-M060

FIG. 6 INTAKE

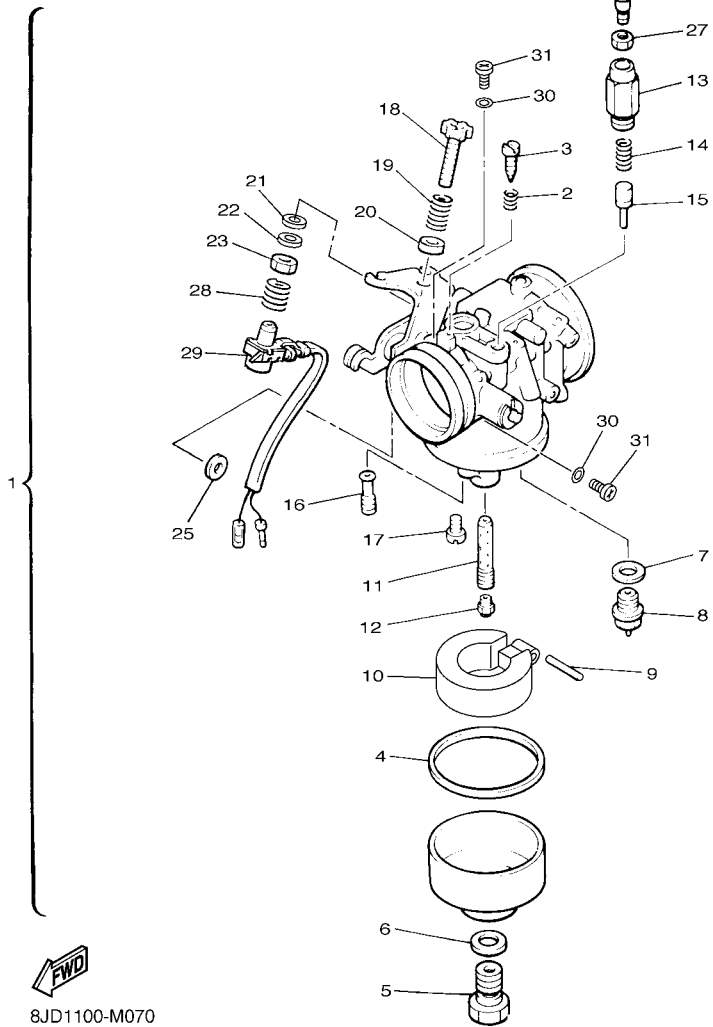
| REF. NO. | PART NO. | DESCRIPTION | EUR | RUS | JPN | REMARKS |
|----------|--------------|----------------------|-----|-----|-----|---------|
| 1 | 8AT-13610-00 | REED VALVE ASSY | 2 | 2 | 2 | |
| 2 | 8AT-13613-00 | .REED, VALVE | 2 | 2 | 2 | |
| 3 | 8H8-13616-00 | .STOPPER, REED VALVE | 2 | 2 | 2 | |
| 4 | 98502-03008 | .SCREW, PAN HEAD | 8 | 8 | 8 | |
| 5 | 92902-03100 | .WASHER | 8 | 8 | 8 | |
| 6 | 8Y7-13556-01 | GASKET, MANIFOLD | 4 | 4 | 4 | |
| 7 | 83R-13565-00 | JOINT, CARBURETOR | 1 | 1 | 1 | |
| 8 | 90465-08277 | CLAMP | 1 | 1 | 1 | |
| 9 | 90461-10011 | CLAMP | 1 | 1 | 1 | |
| 10 | 97027-06025 | BOLT, HEXAGON | 8 | 8 | 8 | |
| 11 | 92907-06600 | WASHER, PLATE | 8 | 8 | 8 | |
| 12 | 8G8-13555-01 | MANIFOLD, INTAKE | 1 | 1 | 1 | |
| 13 | 97007-08025 | BOLT | 2 | 2 | 2 | |
| 14 | 92907-08600 | WASHER, PLATE | 2 | 2 | 2 | |
| 15 | 90460-56073 | CLAMP, HOSE | 1 | 1 | 1 | |
| 16 | 83R-14453-00 | JOINT, AIR CLEANER 1 | 1 | 1 | 1 | |
| 17 | 90460-68230 | CLAMP, HOSE | 1 | 1 | 1 | |
| 18 | 90450-99050 | HOSE CLAMP ASSY | 1 | 1 | 1 | |
| 19 | 8H8-14431-00 | SILENCER, INTAKE 1 | 1 | 1 | 1 | |
| 20 | 8H8-14441-00 | SILENCER, INTAKE 2 | 1 | 1 | 1 | |
| 21 | 83R-14465-00 | PIPE | 1 | 1 | 1 | |
| 22 | 8H8-14466-00 | PIPE | 1 | 1 | 1 | |
| 23 | 8H8-14477-00 | PLATE | 2 | 2 | 2 | |
| 24 | 98502-05016 | SCREW, PAN HEAD | 5 | 5 | 5 | |
| 25 | 92902-05600 | WASHER, PLATE | 5 | 5 | 5 | |
| 26 | 95302-05700 | NUT | 5 | 5 | 5 | |
| 27 | 98502-06010 | SCREW, PAN HEAD | 2 | 2 | 2 | |



8JD1100-M060

FIG. 6 INTAKE

| REF. NO. | PART NO. | DESCRIPTION | EUR | RUS | JPN | REMARKS |
|----------|--------------|---------------------|-----|-----|-----|---------|
| 28 | 90109-065E6 | BOLT | 2 | 2 | 2 | |
| 29 | 83R-14425-00 | DAMPER 1 | 2 | 2 | 2 | |
| 30 | 8AT-24410-00 | FUEL PUMP ASSY | 1 | 1 | 1 | |
| 31 | 90387-063W4 | COLLAR | 2 | 2 | 2 | |
| 32 | 90465-08316 | CLAMP | 1 | 1 | 1 | |
| 33 | 95702-06500 | NUT, FLANGE | 2 | 2 | 2 | |
| 34 | 90445-11735 | HOSE (L320) | 1 | 1 | 1 | |
| 35 | 90501-084G9 | SPRING, COMPRESSION | 1 | 1 | 1 | |
| 36 | 90467-11032 | CLIP | 2 | 2 | 2 | |
| 37 | 90445-092K1 | HOSE (L420) | 1 | 1 | 1 | |
| 38 | 90501-084J0 | SPRING, COMPRESSION | 1 | 1 | 1 | |
| 39 | 90467-09026 | CLIP | 2 | 2 | 2 | |
| 40 | 90445-114K5 | HOSE (L80) | 1 | 1 | 1 | |
| 41 | 90467-11032 | CLIP | 1 | 1 | 1 | |
| 42 | 90467-11009 | CLIP | 1 | 1 | 1 | |

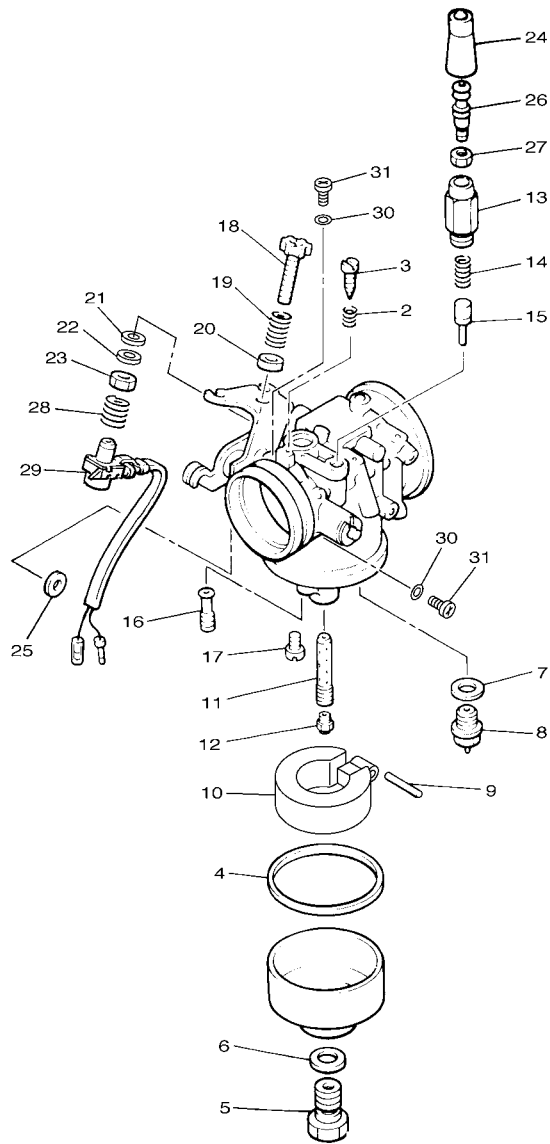


8JD1100-M070

FIG. 7 CARBURETOR

| REF. NO. | PART NO. | DESCRIPTION | EUR | RUS | JPN | REMARKS |
|----------|--------------|-------------------------|-----|-----|-----|---------|
| 1 | 84R-14101-03 | CARBURETOR ASSY 1 | 1 | 1 | | |
| | 86R-14101-03 | CARBURETOR ASSY 1 | | | 1 | |
| 2 | 82A-14134-00 | .SPRING, AIR ADJUSTING | 1 | 1 | 1 | |
| 3 | 620-14211-00 | .SCREW, PILOT ADJUSTING | 1 | 1 | 1 | |
| 4 | 8M6-14126-00 | .GASKET | 1 | 1 | 1 | |
| 5 | 8M6-14261-00 | .HOLDER | 1 | 1 | 1 | |
| 6 | 286-14198-00 | .GASKET | 1 | 1 | 1 | |
| 7 | 214-14195-00 | .WASHER, NEEDLE VALVE | 1 | 1 | 1 | |
| 8 | 83R-14190-15 | .NEEDLE VALVE ASSY | 1 | 1 | 1 | |
| 9 | 68V-14186-00 | .PIN, FLOAT | 1 | 1 | | |
| | 8M6-14186-00 | .PIN, FLOAT | | | 1 | |
| 10 | 8M6-14185-00 | .FLOAT | 1 | 1 | 1 | |
| 11 | 83R-14941-4E | .NOZZLE, MAIN | 1 | 1 | 1 | |
| 12 | 3G2-1414E-56 | .JET, MAIN (#141.3) | 1 | 1 | 1 | STD |
| | 3G2-14231-77 | .JET, MAIN (#132.5) | 1 | 1 | 1 | AP |
| | 3G2-14231-27 | .JET, MAIN (#135) | 1 | 1 | 1 | AP |
| | 3G2-14231-78 | .JET, MAIN (#137.5) | 1 | 1 | 1 | AP |
| | 3G2-14231-28 | .JET, MAIN (#140) | 1 | 1 | 1 | AP |
| | 3G2-14231-79 | .JET, MAIN (#142.5) | 1 | 1 | 1 | AP |
| 13 | 8U9-14174-00 | .CAP, PLUNGER | 1 | 1 | | |
| | 8G8-14174-00 | .CAP, PLUNGER | | | 1 | |
| 14 | 127-14135-00 | .COIL, SPRING | 1 | 1 | 1 | |
| 15 | 8G8-14171-00 | .PLUNGER, STARTER | 1 | 1 | 1 | |
| 16 | 193-14142-90 | .JET, PILOT (# 90) | 1 | 1 | 1 | STD |
| | 193-1414F-00 | .JET, PILOT (# 100) | 1 | 1 | 1 | AP |
| 17 | 8V0-14118-00 | .CAP | 2 | 2 | 2 | |
| 18 | 89A-14125-00 | .SCREW | 1 | 1 | | |

1

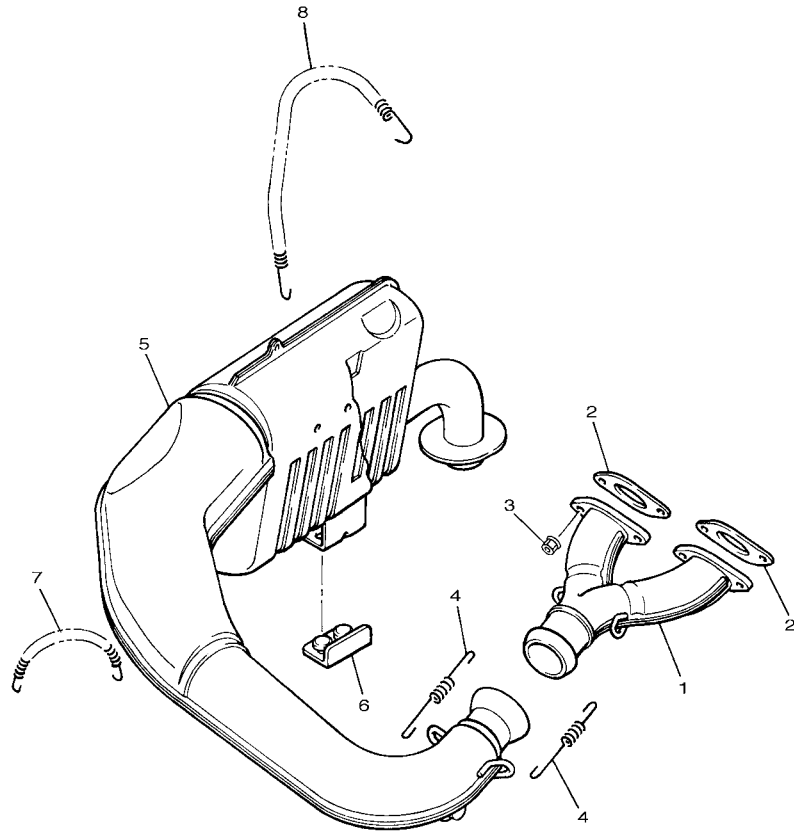


8JD1100-M070

FIG. 7 CARBURETOR

| REF. NO. | PART NO. | DESCRIPTION | EUR | RUS | JPN | REMARKS |
|----------|--------------|-------------------------|-----|-----|-----|---------|
| 18 | 80L-14122-00 | .SCREW, THROTTLE | | | 1 | |
| 19 | 2J2-14133-00 | .SPRING, THROTTLE STOP | 1 | 1 | | |
| | 8X0-14500-00 | .SPRING | | | 1 | |
| 20 | 89A-14265-00 | .COLLAR | 1 | 1 | | |
| | 8X0-14184-00 | .RING | | | 1 | |
| 21 | 22F-14117-00 | .WASHER, PLUG SCREW | 1 | 1 | 1 | |
| 22 | 1UF-14952-00 | .WASHER | 1 | 1 | 1 | |
| 23 | 8X0-14358-00 | .NUT | 1 | 1 | 1 | |
| 24 | 8A7-14169-00 | .CAP | 1 | 1 | 1 | |
| 25 | 80L-14227-00 | .WASHER | 1 | 1 | 1 | |
| 26 | 127-14124-20 | .SCREW, CABLE ADJUSTING | 1 | 1 | 1 | |
| 27 | 802-14161-00 | .NUT, CABLE ADJUSTING | 1 | 1 | 1 | |
| 28 | 89A-24529-00 | .SPRING | 1 | 1 | | |
| | 8X0-14133-00 | .SPRING, THROTTLE STOP | | | 1 | |
| 29 | 87S-8259A-01 | .SWITCH, CARBURETOR | 1 | 1 | 1 | |
| 30 | 256-14956-01 | .WASHER | 2 | 2 | 2 | |
| 31 | 3DM-14216-00 | .SCREW | 2 | 2 | 2 | |

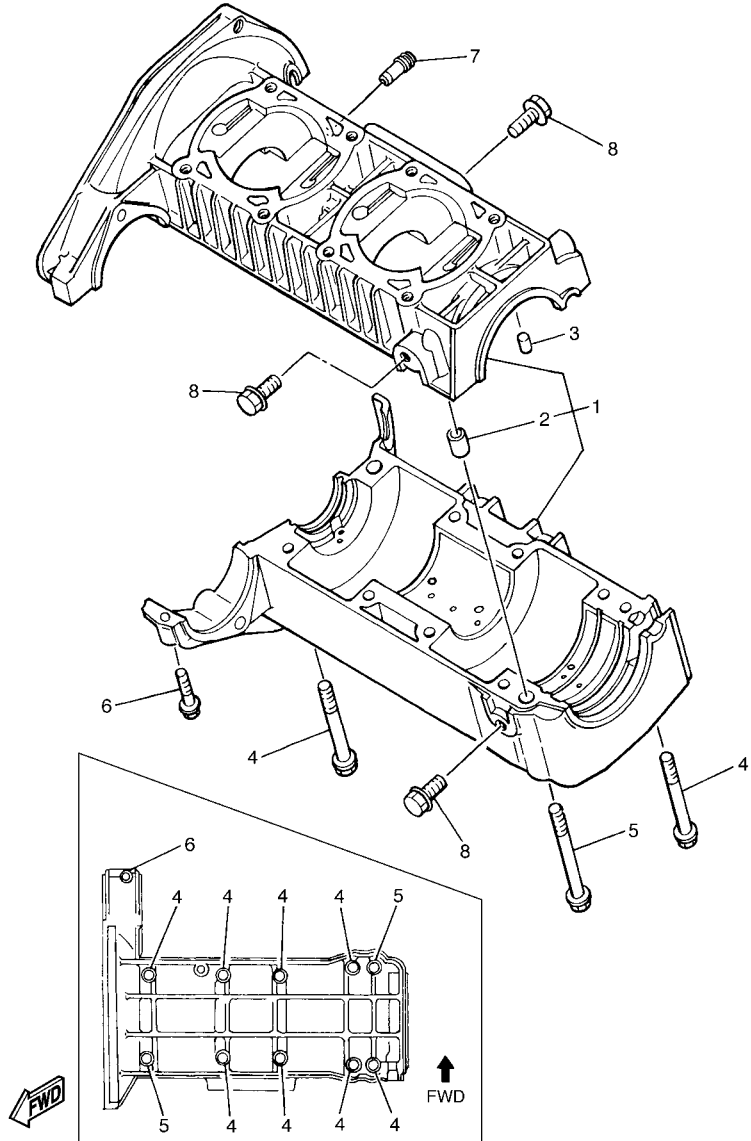
FIG. 8 EXHAUST



| REF. NO. | PART NO. | DESCRIPTION | EUR | RUS | JPN | REMARKS |
|----------|--------------|----------------------|-----|-----|-----|---------|
| 1 | 8K4-14610-00 | EXHAUST PIPE ASSY 1 | 1 | 1 | 1 | |
| 2 | 82M-14613-01 | GASKET, EXHAUST PIPE | 2 | 2 | 2 | |
| 3 | 95602-08200 | NUT, SELF-LOCKING | 4 | 4 | 4 | |
| 4 | 90506-20272 | SPRING, TENSION | 2 | 2 | 2 | |
| 5 | 83R-14710-04 | MUFFLER ASSY 1 | 1 | 1 | 1 | |
| 6 | 83R-14728-01 | PROTECTOR, MUFFLER 2 | 1 | 1 | 1 | |
| 7 | 90507-16045 | SPRING, TENSION | 1 | 1 | 1 | |
| 8 | 90507-16046 | SPRING, TENSION | 1 | 1 | 1 | |
| | | | | | | |
| | | | | | | |
| | | | | | | |
| | | | | | | |
| | | | | | | |
| | | | | | | |


8ACP300-H080

FIG. 9 CRANKCASE

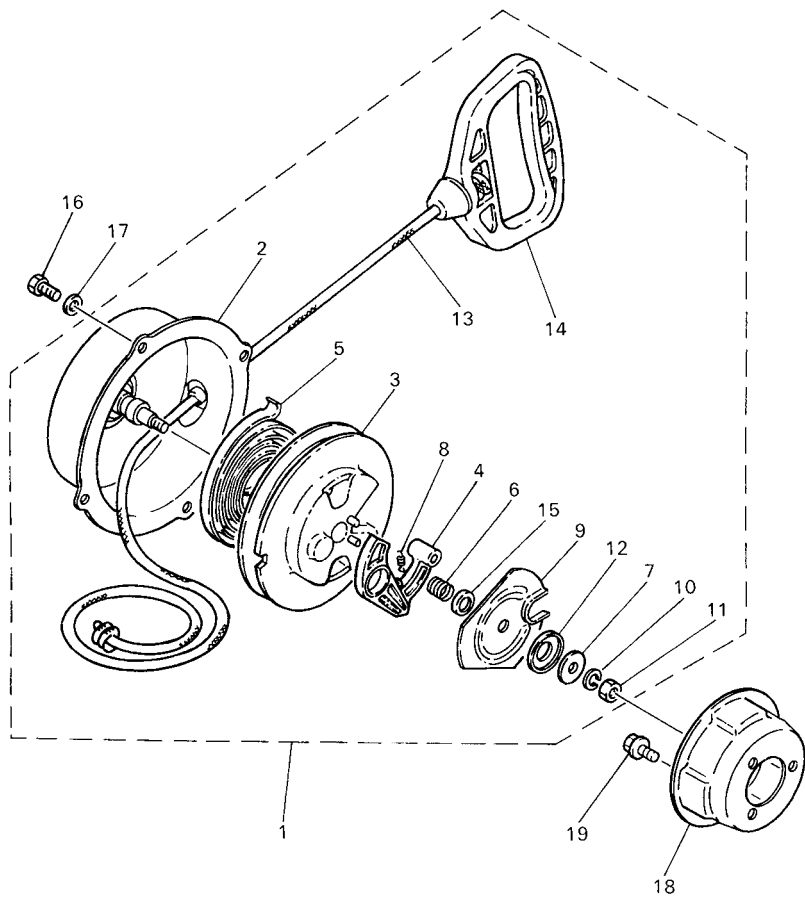


8AC3100-6100

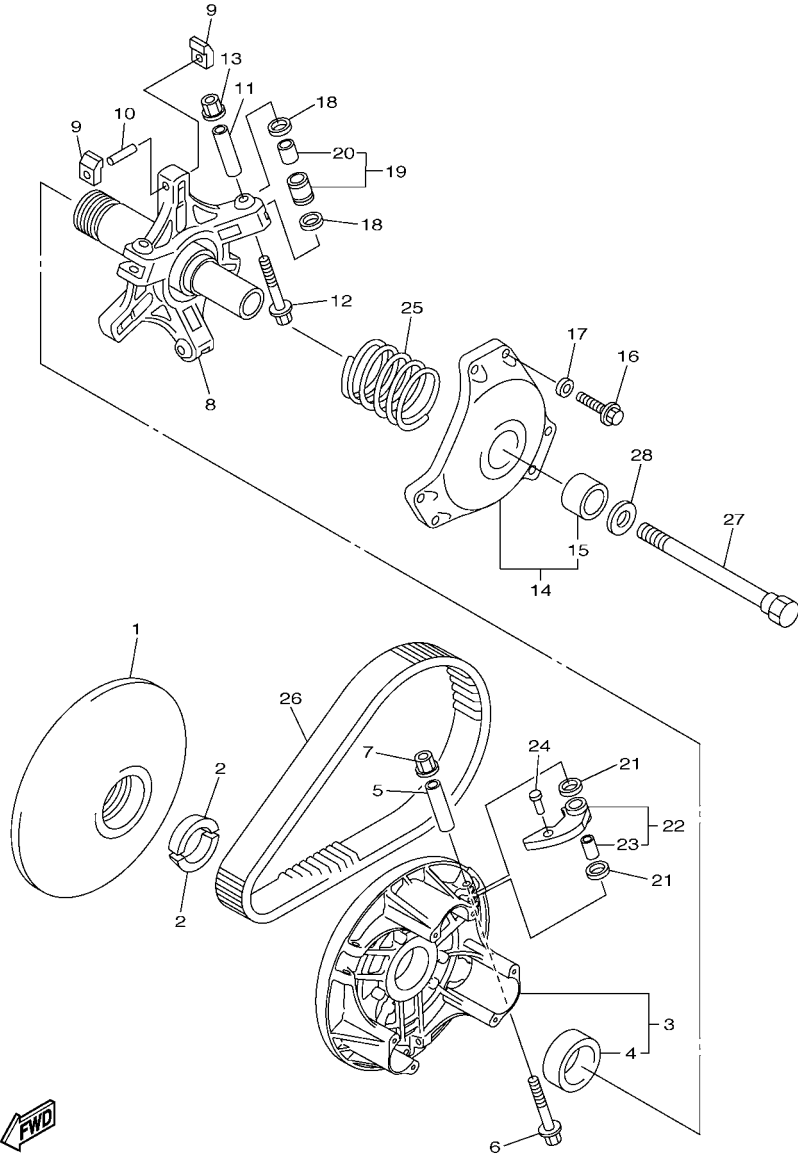
| REF. NO. | PART NO. | DESCRIPTION | EUR | RUS | JPN | | REMARKS |
|----------|--------------|-----------------|-----|-----|-----|--|---------|
| 1 | 8H8-15100-02 | CRANKCASE ASSY | 1 | 1 | 1 | | |
| 2 | 91830-22016 | .PIN, DOWEL | 2 | 2 | 2 | | |
| 3 | 93604-07141 | PIN, DOWEL | 2 | 2 | 2 | | |
| 4 | 95827-08075 | BOLT, FLANGE | 8 | 8 | 8 | | |
| 5 | 95827-08085 | BOLT, FLANGE | 2 | 2 | 2 | | |
| 6 | 95822-06030 | BOLT, FLANGE | 1 | 1 | 1 | | |
| 7 | J38-11116-00 | JOINT, BREATHER | 1 | 1 | 1 | | |
| 8 | 95822-08016 | BOLT, FLANGE | 6 | 6 | 6 | | |
| ----- | | | | | | | |
| ----- | | | | | | | |
| ----- | | | | | | | |
| ----- | | | | | | | |
| ----- | | | | | | | |
| ----- | | | | | | | |
| ----- | | | | | | | |
| ----- | | | | | | | |
| ----- | | | | | | | |
| ----- | | | | | | | |
| ----- | | | | | | | |
| ----- | | | | | | | |
| ----- | | | | | | | |
| ----- | | | | | | | |
| ----- | | | | | | | |
| ----- | | | | | | | |
| ----- | | | | | | | |
| ----- | | | | | | | |
| ----- | | | | | | | |
| ----- | | | | | | | |

FIG. 10 STARTER

| REF. NO. | PART NO. | DESCRIPTION | EUR | RUS | JPN | REMARKS |
|----------|--------------|-------------------|-----|-----|-----|---------|
| 1 | 8H8-15710-00 | STARTER ASSY | 1 | 1 | 1 | |
| 2 | 8H8-15711-00 | .CASE, STARTER | 1 | 1 | 1 | |
| 3 | 8F3-15714-01 | .DRUM, SHEAVE | 1 | 1 | 1 | |
| 4 | 8F3-15741-01 | .PAWL, DRIVE | 1 | 1 | 1 | |
| 5 | 8F3-15713-01 | .SPRING, STARTER | 1 | 1 | 1 | |
| 6 | 8F3-15715-00 | .SPRING, FRICTION | 1 | 1 | 1 | |
| 7 | 8F3-15739-01 | .WASHER, THRUST | 1 | 1 | 1 | |
| 8 | 8F3-15734-00 | .SPRING, RETURN | 1 | 1 | 1 | |
| 9 | 8F3-15716-03 | .PLATE, DRIVE | 1 | 1 | 1 | |
| 10 | 92901-06100 | .WASHER, SPRING | 1 | 1 | 1 | |
| 11 | 95301-06700 | .NUT | 1 | 1 | 1 | |
| 12 | 8G5-15739-00 | .WASHER, THRUST | 1 | 1 | 1 | |
| 13 | 8F3-15751-00 | .WIRE, STARTER | 1 | 1 | 1 | |
| 14 | 8F3-15755-00 | .HANDLE, STARTER | 1 | 1 | 1 | |
| 15 | 8G5-15716-00 | .COLLAR | 1 | 1 | 1 | |
| 16 | 97007-06014 | BOLT | 4 | 4 | 4 | |
| 17 | 92907-06600 | WASHER, PLATE | 4 | 4 | 4 | |
| 18 | 8H8-15723-01 | PULLEY, STARTER | 1 | 1 | 1 | |
| 19 | 95822-08016 | BOLT, FLANGE | 3 | 3 | 3 | |



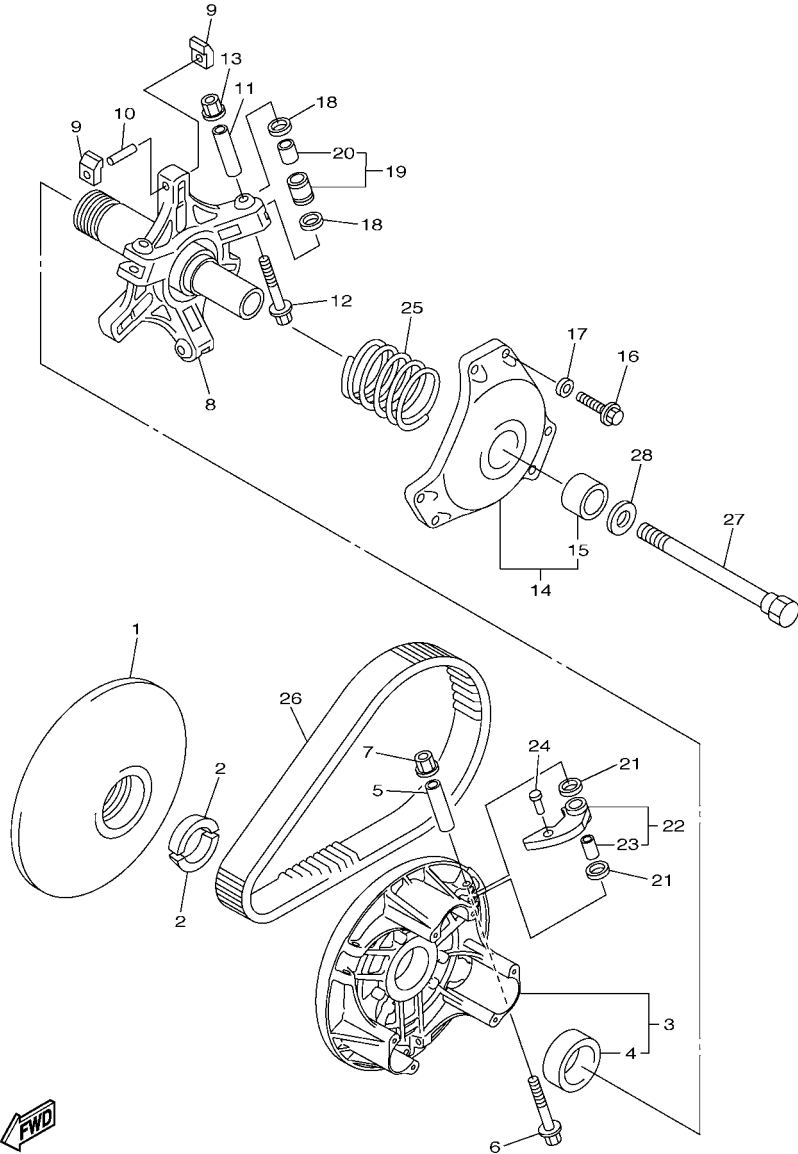
8AC3100-6110



8ACT100-K110

FIG. 11 PRIMARY SHEAVE

| REF. NO. | PART NO. | DESCRIPTION | EUR | RUS | JPN | REMARKS |
|----------|--------------|-------------------------------|-----|-----|-----|------------|
| 1 | 8FA-17611-01 | SHEAVE, PRIMARY FIXED | 1 | 1 | 1 | |
| 2 | 8V0-17639-00 | STOPPER | 2 | 2 | 2 | |
| 3 | 8BV-17620-03 | PRIMARY SLIDING SHEAVE COMP. | 1 | 1 | 1 | |
| 4 | 90384-41242 | .BUSH, BIMETAL FORMED | 1 | 1 | 1 | |
| 5 | 90387-0514T | COLLAR | 3 | 3 | 3 | |
| 6 | 90105-05644 | BOLT, FLANGE | 3 | 3 | 3 | |
| 7 | 95602-05200 | NUT, SELF-LOCKING | 3 | 3 | 3 | |
| 8 | 8ES-17640-02 | SPIDER COMPLETE | 1 | 1 | 1 | |
| 9 | 8BW-17653-00 | SLIDER | 6 | 6 | 6 | |
| 10 | 91609-50032 | PIN, SPRING | 3 | 3 | 3 | |
| 11 | 90387-0514U | COLLAR | 3 | 3 | 3 | |
| 12 | 90105-05644 | BOLT, FLANGE | 3 | 3 | 3 | |
| 13 | 95602-05200 | NUT, SELF-LOCKING | 3 | 3 | 3 | |
| 14 | 8BV-17630-11 | PRIMARY SHEAVE CAP COMP. | 1 | 1 | 1 | |
| 15 | 90380-28237 | .BUSH, SOLID | 1 | 1 | 1 | |
| 16 | 97017-06030 | BOLT | 6 | 6 | 6 | |
| 17 | 92907-06600 | WASHER, PLATE | 6 | 6 | 6 | |
| 18 | 90202-09227 | WASHER, PLATE | 6 | 6 | 6 | |
| 19 | 8FG-17624-00 | ROLLER, COMP | 3 | 3 | 3 | |
| 20 | 90386-09001 | .BUSH | 1 | 1 | 1 | |
| 21 | 90202-08204 | WASHER, PLATE | 6 | 6 | 6 | |
| 22 | 8AT-17605-10 | WEIGHT COMP | 3 | 3 | 3 | |
| 23 | 90386-08002 | .BUSH | 1 | 1 | 1 | |
| 24 | 90261-06033 | RIVET, COUNTERSUNK (ST17.2MM) | 3 | 3 | 3 | STD |
| | 90261-06015 | RIVET, COUNTERSUNK (ST10.3MM) | 3 | 3 | 3 | AP |
| | 90261-06019 | RIVET, COUNTERSUNK (ST13.3MM) | 3 | 3 | 3 | AP |
| 25 | 90501-556G6 | SPRING, COMPRESSION | 1 | 1 | 1 | STD (BLUE) |



8ACT100-K110

FIG. 11 PRIMARY SHEAVE

| REF. NO. | PART NO. | DESCRIPTION | EUR | RUS | JPN | REMARKS |
|----------|--------------|---------------------|-----|-----|-----|-------------|
| 25 | 90501-556G7 | SPRING, COMPRESSION | 1 | 1 | 1 | AP (Y-BL-Y) |
| | 90501-606G9 | SPRING, COMPRESSION | 1 | 1 | 1 | AP (P-BL-P) |
| 26 | 8DN-17641-01 | V-BELT | 1 | 1 | 1 | |
| 27 | 8V0-17647-00 | BOLT (L=156.5MM) | 1 | 1 | 1 | |
| 28 | 92907-16100 | WASHER | 1 | 1 | 1 | |
| ----- | | | | | | |
| ----- | | | | | | |
| ----- | | | | | | |
| ----- | | | | | | |
| ----- | | | | | | |
| ----- | | | | | | |
| ----- | | | | | | |
| ----- | | | | | | |
| ----- | | | | | | |
| ----- | | | | | | |



8AC6100-9120

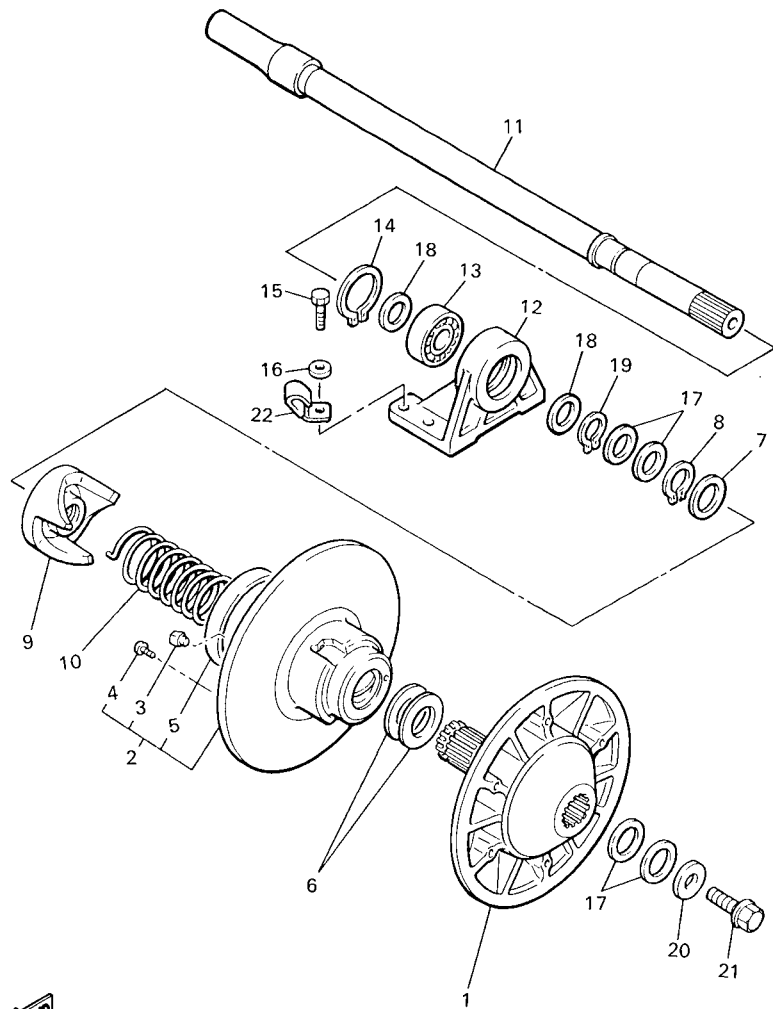


FIG. 12 SECONDARY SHEAVE

| REF. NO. | PART NO. | DESCRIPTION | EUR | RUS | JPN | REMARKS |
|----------|--------------|------------------------------|-----|-----|-----|---------|
| 1 | 88R-17660-03 | SECONDARY FIXED SHEAVE COMP. | 1 | 1 | 1 | |
| 2 | 8AT-17670-01 | SECONDARY SLIDING SHEAVE | 1 | 1 | 1 | |
| 3 | 8X6-17688-00 | .SHOE, RAMP | 3 | 3 | 3 | |
| 4 | 90154-06062 | .SCREW, BINDING | 3 | 3 | 3 | |
| 5 | 90384-90081 | .BUSH, BIMETAL FORMED | 1 | 1 | 1 | |
| 6 | 90201-345G2 | WASHER, PLATE | 2 | 2 | 2 | |
| 7 | 90214-29060 | WASHER, CLAW | 1 | 1 | 1 | |
| 8 | 93440-34170 | CIRCLIP | 1 | 1 | 1 | |
| 9 | 8AT-17684-01 | SEAT, SECONDARY SPRING | 1 | 1 | 1 | |
| 10 | 90508-55012 | SPRING, TORSION | 1 | 1 | 1 | |
| 11 | 88N-17680-02 | SECONDARY SHAFT COMP. | 1 | 1 | 1 | |
| 12 | 88N-47631-00 | HOUSING, BEARING | 1 | 1 | 1 | |
| 13 | 93306-20582 | BEARING | 1 | 1 | 1 | |
| 14 | 99009-52500 | CIRCLIP | 1 | 1 | 1 | |
| 15 | 97027-08020 | BOLT, HEXAGON | 4 | 4 | 4 | |
| 16 | 92907-08600 | WASHER, PLATE | 4 | 4 | 4 | |
| 17 | 90201-252F1 | WASHER, PLATE (T0.5) | 1 | 1 | 1 | UR UN |
| | 90201-25527 | WASHER, PLATE (T1.0) | 2 | 2 | 2 | UR UN |
| | 90201-25526 | WASHER, PLATE (T2.0) | 2 | 2 | 2 | UR UN |
| 18 | 90201-257J2 | WASHER, PLATE | 2 | 2 | 2 | |
| 19 | 93410-25017 | CIRCLIP | 1 | 1 | 1 | |
| 20 | 90201-104A7 | WASHER, PLATE | 1 | 1 | 1 | |
| 21 | 95812-10020 | BOLT, FLANGE | 1 | 1 | 1 | |
| 22 | 90465-08316 | CLAMP | 1 | 1 | 1 | |

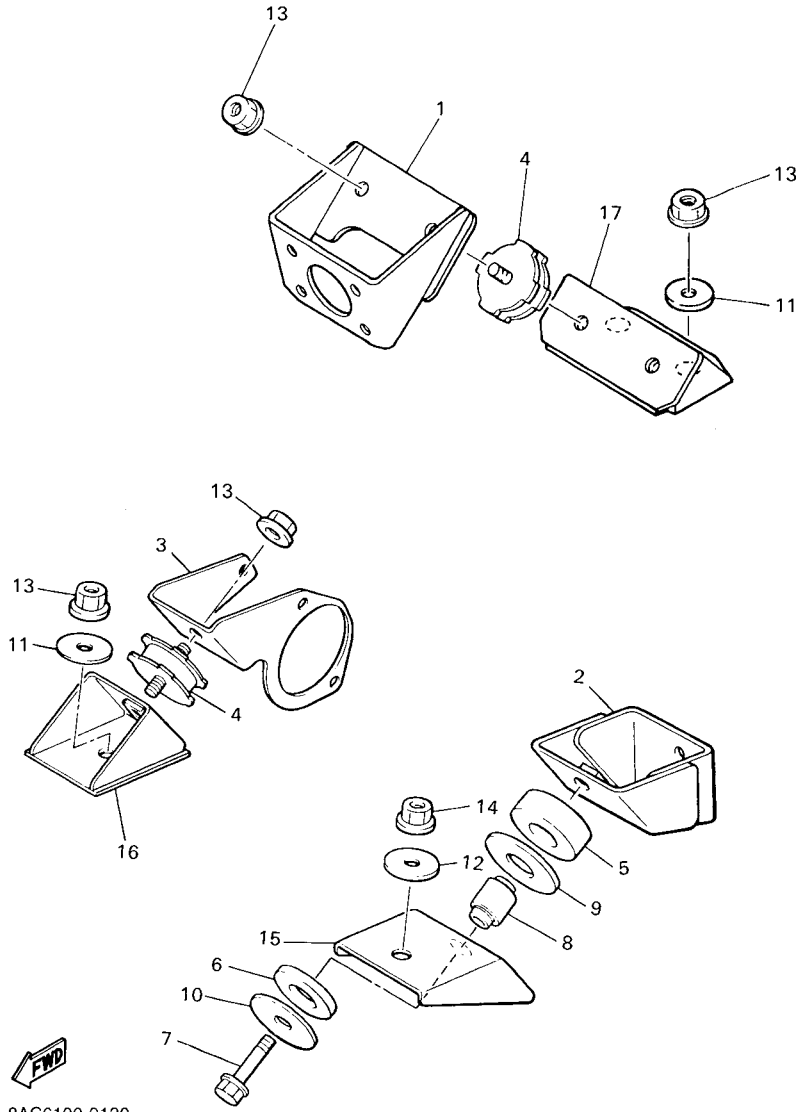
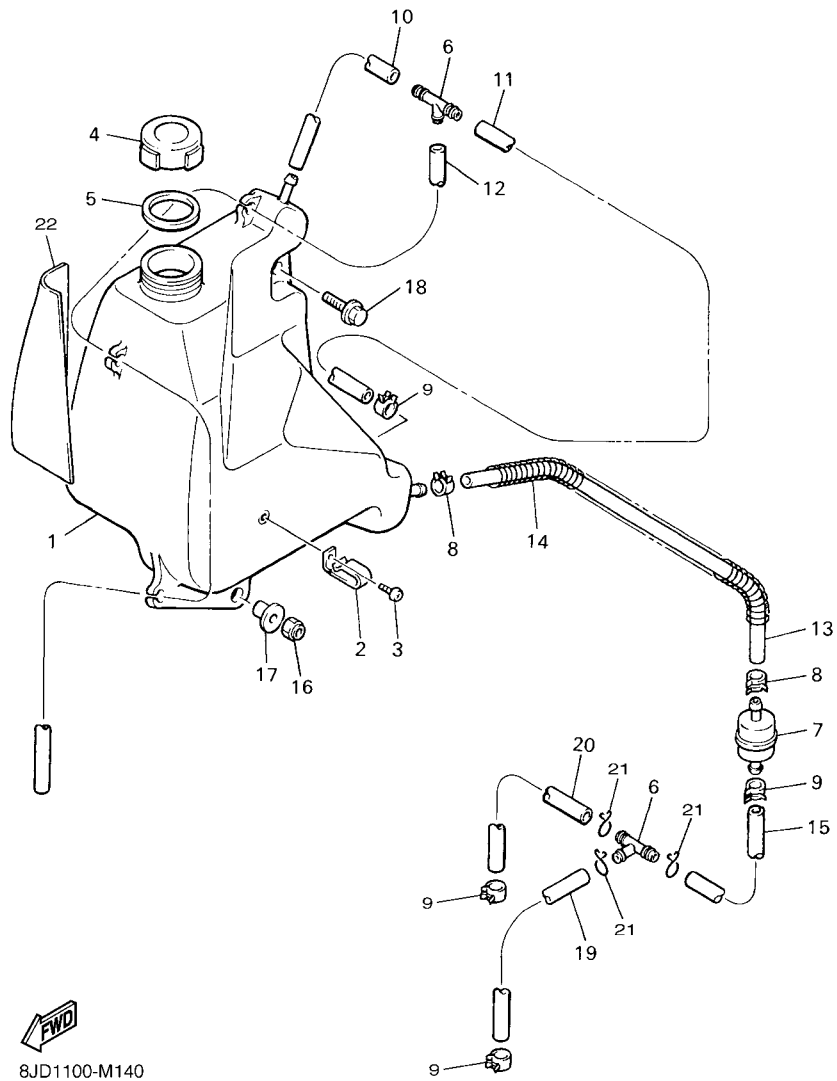


FIG. 13 ENGINE BRACKET

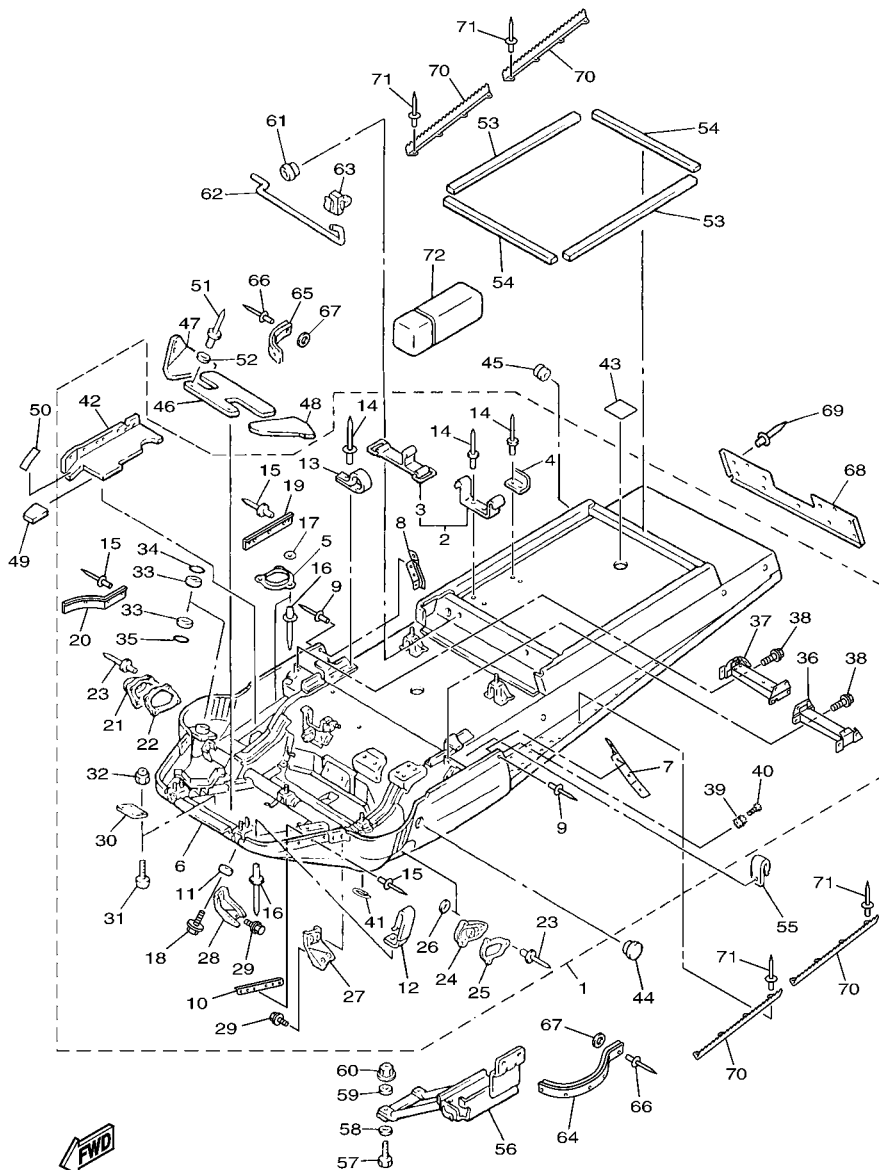
| REF. NO. | PART NO. | DESCRIPTION | EUR | RUS | JPN | REMARKS |
|----------|--------------|------------------------|-----|-----|-----|---------|
| 1 | 8H8-21411-01 | BRACKET, ENGINE 1 | 1 | 1 | 1 | |
| 2 | 83R-21419-01 | BRACKET, ENGINE 2 | 1 | 1 | 1 | |
| 3 | 8H8-21429-01 | BRACKET, ENGINE 3 | 1 | 1 | 1 | |
| 4 | 8N7-21486-00 | DAMPER 2 | 3 | 3 | 3 | |
| 5 | 8V9-21485-00 | DAMPER, RUBBER 1 | 1 | 1 | 1 | |
| 6 | 8V9-21486-00 | DAMPER 2 | 1 | 1 | 1 | |
| 7 | 95812-10045 | BOLT, FLANGE | 1 | 1 | 1 | |
| 8 | 90380-10129 | BUSH, SOLID | 1 | 1 | 1 | |
| 9 | 90201-257G7 | WASHER, PLATE | 1 | 1 | 1 | |
| 10 | 90201-107G8 | WASHER, PLATE | 1 | 1 | 1 | |
| 11 | 90201-10321 | WASHER, PLATE | 3 | 3 | 3 | |
| 12 | 90201-12317 | WASHER, PLATE | 1 | 1 | 1 | |
| 13 | 95702-10500 | NUT, FLANGE | 6 | 6 | 6 | |
| 14 | 95702-12500 | NUT, FLANGE | 1 | 1 | 1 | |
| 15 | 8AT-21417-00 | BRACKET, FRONT LOWER 1 | 1 | 1 | 1 | |
| 16 | 8H8-21418-01 | BRACKET, FRONT LOWER 2 | 1 | 1 | 1 | |
| 17 | 8H8-21427-00 | BRACKET, REAR LOWER 1 | 1 | 1 | 1 | |
| | | | | | | |
| | | | | | | |
| | | | | | | |
| | | | | | | |



8JD1100-M140

FIG. 14 OIL TANK

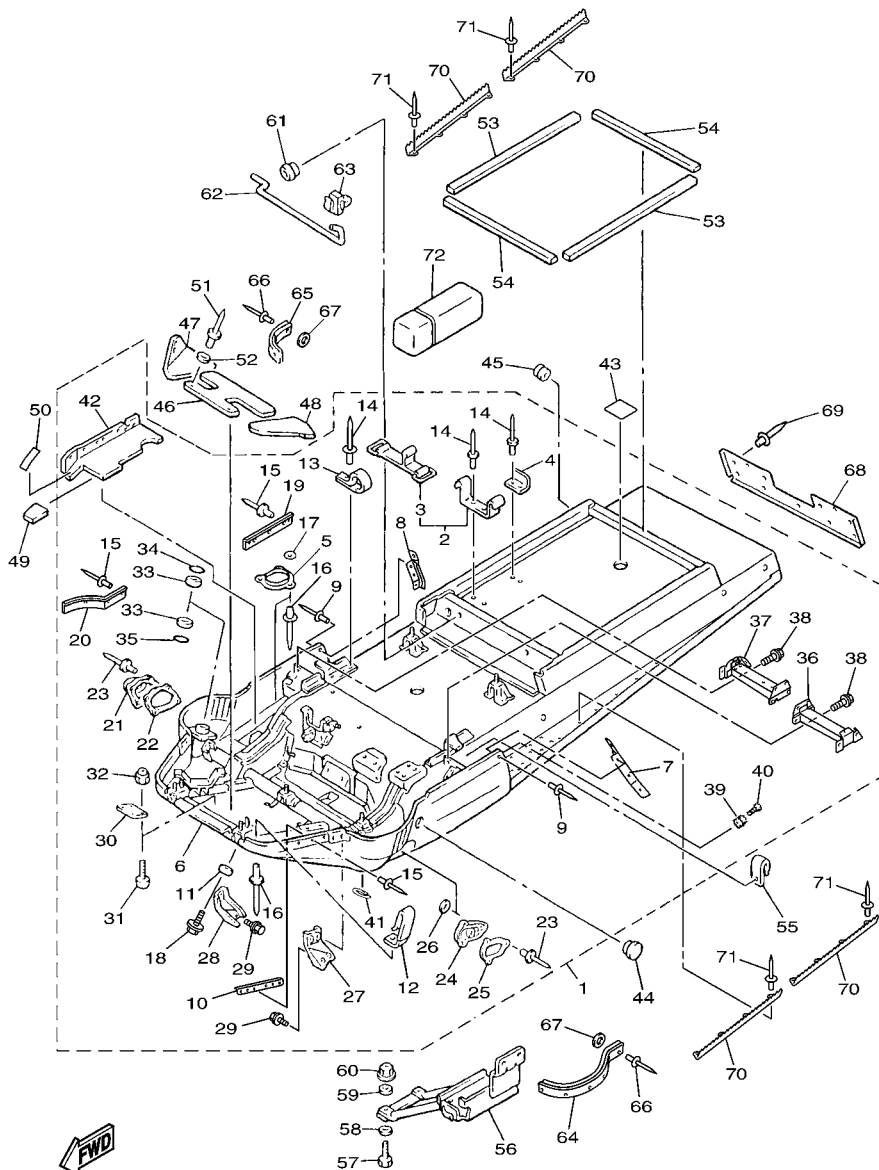
| REF. NO. | PART NO. | DESCRIPTION | EUR | RUS | JPN | REMARKS |
|----------|--------------|-----------------------|-----|-----|-----|---------|
| 1 | 83R-21751-00 | TANK, OIL | 1 | 1 | 1 | |
| 2 | 90462-10209 | CLAMP | 1 | 1 | 1 | |
| 3 | 98902-06010 | SCREW, BIND | 1 | 1 | 1 | |
| 4 | 863-21771-00 | BODY, CAP | 1 | 1 | 1 | |
| 5 | 90430-31003 | GASKET | 1 | 1 | 1 | |
| 6 | 801-24376-00 | PIPE, JOINT 1 | 2 | 2 | 2 | |
| 7 | 8G8-13410-00 | STRAINER HOUSING ASSY | 1 | 1 | 1 | |
| 8 | 90467-11032 | CLIP | 2 | 2 | 2 | |
| 9 | 90467-09026 | CLIP | 4 | 4 | 4 | |
| 10 | 91A30-05010 | TUBE, FLEXIBLE VINYL | 1 | 1 | 1 | |
| 11 | 91A30-05120 | TUBE, FLEXIBLE VINYL | 1 | 1 | 1 | |
| 12 | 91A30-05085 | TUBE, FLEXIBLE VINYL | 1 | 1 | 1 | |
| 13 | 91A30-07016 | TUBE, FLEXIBLE VINYL | 1 | 1 | 1 | |
| 14 | 84M-24327-00 | PROTECTOR, PIPE | 1 | 1 | 1 | |
| 15 | 91A30-05004 | TUBE, FLEXIBLE VINYL | 1 | 1 | 1 | |
| 16 | 95602-06100 | NUT, U | 1 | 1 | 1 | |
| 17 | 90387-061U9 | COLLAR | 2 | 2 | 2 | |
| 18 | 95802-06016 | BOLT, FLANGE | 1 | 1 | 1 | |
| 19 | 91A30-05052 | TUBE, FLEXIBLE VINYL | 1 | 1 | 1 | |
| 20 | 91A30-05060 | TUBE, FLEXIBLE VINYL | 1 | 1 | 1 | |
| 21 | 90467-08017 | CLIP | 3 | 3 | 3 | |
| 22 | 8AT-21747-00 | DAMPER | 1 | 1 | 1 | |



8JD1100-M152

FIG. 15 FRAME

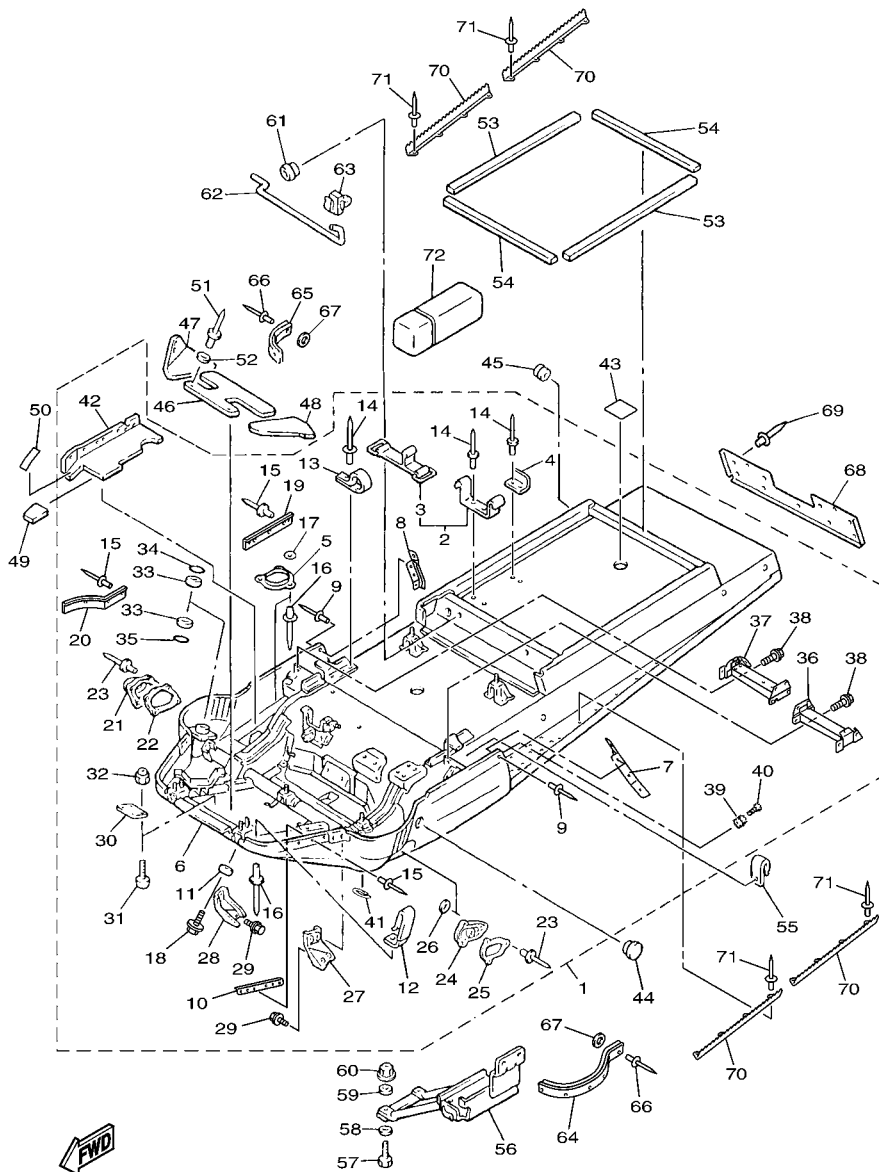
| REF. NO. | PART NO. | DESCRIPTION | EUR | RUS | JPN | REMARKS |
|----------|--------------|--------------------------------|-----|-----|-----|---------|
| 1 | 8JD-W2190-01 | FRAME COMP. | 1 | 1 | 1 | |
| 2 | 81E-21945-00 | .BRACKET, TOOL BOX FITTING | 1 | 1 | 1 | |
| 3 | 4J2-82131-01 | ..BAND, BATTERY | 1 | 1 | 1 | |
| 4 | 83R-21955-00 | .BRACKET, TOOL BOX FITTING | 1 | 1 | 1 | |
| 5 | 83R-2198F-00 | .COVER 1 | 1 | 1 | 1 | |
| 6 | 8JD-21912-01 | .PANEL, SUB FRAME 1 | 1 | 1 | 1 | |
| 7 | 83R-21986-00 | .REINFORCEMENT, FRAME 1 | 1 | 1 | 1 | |
| 8 | 83R-21987-00 | .REINFORCEMENT, FRAME 2 | 1 | 1 | 1 | |
| 9 | 90267-49152 | .RIVET, BLIND (4.9X16.1) | 6 | 6 | 6 | |
| 10 | 8AC-21965-00 | .PATCH 5 | 2 | 2 | 2 | |
| 11 | 90387-081R2 | .COLLAR | 2 | 2 | 2 | |
| 12 | 90465-08368 | .CLAMP | 5 | 5 | 5 | |
| 13 | 90462-05059 | .CLAMP | 1 | 1 | 1 | |
| 14 | 90267-48060 | .RIVET,BLIND (4.8X12.9 BLACK) | 28 | 28 | 28 | |
| 15 | 90267-48051 | .RIVET, BLIND (4.8X18.7 BLACK) | 17 | 17 | 17 | |
| 16 | 90267-48018 | .RIVET, BLIND (4.8X18.6 BLACK) | 42 | 42 | 42 | |
| 17 | 90201-04027 | .WASHER, PLATE | 3 | 3 | 3 | |
| 18 | 95827-06016 | .BOLT, FLANGE | 2 | 2 | 2 | |
| 19 | 8AT-77527-02 | .PLATE, BACK UP | 2 | 2 | 2 | |
| 20 | 8JD-77577-00 | .PLATE, 1 | 1 | 1 | 1 | |
| 21 | 8AT-23818-00 | .COVER, STEERING | 1 | 1 | 1 | |
| 22 | 8AT-77526-00 | .WASHER 2 | 1 | 1 | 1 | |
| 23 | 90267-40029 | .RIVET, BLIND (4X18 BLACK) | 7 | 7 | 7 | |
| 24 | 8M6-2198F-00 | .COVER 1 | 1 | 1 | 1 | |
| 25 | 8M6-21998-00 | .SPACER | 1 | 1 | 1 | |
| 26 | 90201-043H5 | .WASHER, PLATE | 3 | 3 | 3 | |
| 27 | 8AT-2194Y-00 | .BRACKET, FRONT GUARD 3 | 1 | 1 | 1 | |



8JD1100-M152

FIG. 15 FRAME

| REF. NO. | PART NO. | DESCRIPTION | EUR | RUS | JPN | REMARKS |
|----------|--------------|-------------------------------|-----|-----|-----|---------|
| 28 | 8AT-2195Y-00 | .BRACKET, FRONT GUARD 4 | 1 | 1 | 1 | |
| 29 | 90105-08408 | .BOLT, FLANGE | 4 | 4 | 4 | |
| 30 | 89X-21917-00 | .PANEL, SUB FRAME 6 | 2 | 2 | 2 | |
| 31 | 98907-05014 | .SCREW, BIND | 8 | 8 | 8 | |
| 32 | 95707-05300 | .NUT, FLANGE | 8 | 8 | 8 | |
| 33 | 90384-36134 | .BUSH, BIMETAL FORMED | 4 | 4 | 4 | |
| 34 | 93102-36232 | .OIL SEAL | 2 | 2 | 2 | |
| 35 | 93103-36117 | .OIL SEAL | 2 | 2 | 2 | |
| 36 | 8AT-23883-01 | .BRACKET 3 | 1 | 1 | 1 | |
| 37 | 8AT-23884-01 | .BRACKET 4 | 1 | 1 | 1 | |
| 38 | 95802-06012 | .BOLT, FLANGE | 4 | 4 | 4 | |
| 39 | 8M6-77175-00 | .HOLDER, LATCH | 2 | 2 | 2 | |
| 40 | 98907-06035 | .SCREW, BIND | 2 | 2 | 2 | |
| 41 | 93410-52061 | .CIRCLIP | 2 | 2 | 2 | |
| 42 | 8JD-77272-01 | .DAMPER, NOISE 12 | 1 | 1 | 1 | |
| 43 | 8CR-2198J-00 | COVER 3 | 1 | 1 | 1 | |
| 44 | 90338-44093 | PLUG | 1 | 1 | 1 | |
| 45 | 90480-15061 | GROMMET | 1 | 1 | 1 | |
| 46 | 8AT-77271-00 | DAMPER, NOISE 11 | 1 | 1 | 1 | |
| 47 | 8AT-77273-10 | DAMPER, NOISE 13 | 1 | 1 | 1 | |
| 48 | 8AT-77274-00 | DAMPER, NOISE 14 | 1 | 1 | 1 | |
| 49 | 8AT-77275-00 | DAMPER, NOISE 15 | 1 | 1 | 1 | |
| 50 | 8CR-77165-00 | TRIM 1 | 1 | 1 | 1 | |
| 51 | 90267-48018 | RIVET, BLIND (4.8X18.6 BLACK) | 2 | 2 | 2 | |
| 52 | 90201-04027 | WASHER, PLATE | 2 | 2 | 2 | |
| 53 | 83R-7717E-00 | TAPE 1 | 2 | 2 | 2 | |
| 54 | 83R-7717F-00 | TAPE 2 | 2 | 2 | 2 | |



8JD1100-M152

FIG. 15 FRAME

| REF. NO. | PART NO. | DESCRIPTION | EUR | RUS | JPN | REMARKS |
|----------|--------------|-------------------------------|-----|-----|-----|---------|
| 55 | 90465-08125 | CLAMP | 1 | 1 | 1 | |
| 56 | 8AT-2199G-01 | BRACKET, BATTERY | 1 | 1 | 1 | |
| 57 | 97022-06025 | BOLT, HEXAGON | 2 | 2 | 2 | |
| 58 | 90201-06778 | WASHER, PLATE | 2 | 2 | 2 | |
| 59 | 90201-063A5 | WASHER, PLATE | 2 | 2 | 2 | |
| 60 | 95702-06300 | NUT, NYLON | 2 | 2 | 2 | |
| 61 | 90480-10348 | GROMMET | 1 | 1 | 1 | |
| 62 | 85R-2471A-00 | STAY, SEAT | 1 | 1 | 1 | |
| 63 | 85R-2639F-00 | HOLDER 2 | 1 | 1 | 1 | |
| 64 | 8AT-2196T-00 | TRIM 1 | 1 | 1 | 1 | |
| 65 | 8JD-2196T-00 | TRIM 1 | 1 | 1 | 1 | |
| 66 | 90267-40172 | RIVET, BLIND (4X19) | 9 | 9 | 9 | |
| 67 | 90201-042E0 | WASHER, PLATE | 9 | 9 | 9 | |
| 68 | 8AC-21933-00 | REINFORCEMENT, FRAME REAR 2 | 1 | 1 | 1 | |
| 69 | 90267-47186 | RIVET, BLIND (4.7X16.4 BLACK) | 6 | 6 | 6 | |
| 70 | 8JD-21926-00 | REINFORCEMENT, FOOTREST 1 | 4 | 4 | 4 | |
| 71 | 90267-48023 | RIVET, BLIND(4.8X12.1 YELLOW) | 16 | 16 | 16 | |
| 72 | 85L-28100-00 | TOOL KIT | 1 | 1 | 1 | |

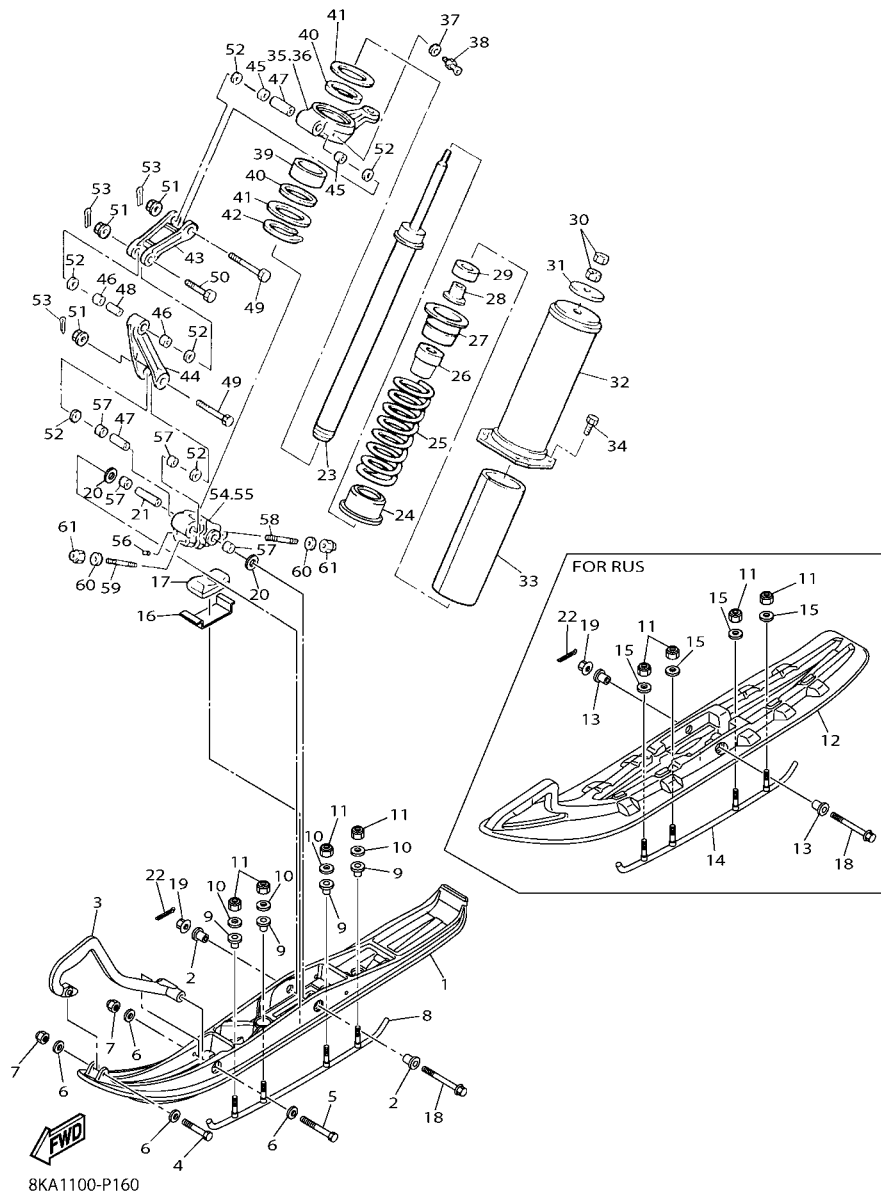


FIG. 16 SKI

| REF. NO. | PART NO. | DESCRIPTION | EUR | RUS | JPN | REMARKS |
|----------|--------------|----------------------------|-----|-----|-----|---------|
| 1 | 8AC-23711-00 | SKI 1 | 2 | | 2 | |
| 2 | 8AC-23754-00 | COLLAR 1 | 4 | | 4 | |
| 3 | 8DM-23712-00 | REINFORCEMENT, HEAD | 2 | | 2 | |
| 4 | 8HG-23755-00 | BOLT, REINFORCEMENT HEAD 1 | 2 | | 2 | |
| 5 | 8HG-23756-00 | BOLT, REINFORCEMENT HEAD 2 | 2 | | 2 | |
| 6 | 8HG-23737-00 | WASHER 1 | 8 | | 8 | |
| 7 | 8HG-23778-00 | NUT | 4 | | 4 | |
| 8 | 8EN-23731-01 | RUNNER 1 | 2 | | 2 | |
| 9 | 90387-09018 | COLLAR | 8 | | 8 | |
| 10 | 90201-08043 | WASHER, PLATE | 8 | | 8 | |
| 11 | 95702-08300 | NUT, NYLON | 8 | 8 | 8 | |
| 12 | 8JD-23711-00 | SKI 1 | | 2 | | |
| 13 | 8JD-23754-00 | COLLAR 1 | | 4 | | |
| 14 | 8JD-23731-00 | RUNNER 1 | | 2 | | |
| 15 | 90201-08053 | WASHER, PLATE | | 8 | | |
| 16 | 8AC-23765-00 | STOPPER | 2 | 2 | 2 | |
| 17 | 88T-23743-00 | STOPPER 1 | 2 | 2 | 2 | |
| 18 | 90105-10410 | BOLT, FLANGE | 2 | 2 | 2 | |
| 19 | 95602-10200 | NUT, U FLANGE | 2 | 2 | 2 | |
| 20 | 90201-100S7 | WASHER, PLATE | 4 | 4 | 4 | |
| 21 | 90387-106J3 | COLLAR | 2 | 2 | 2 | |
| 22 | 91401-20020 | PIN, COTTER | 2 | 2 | 2 | |
| 23 | 8KA-22401-00 | DAMPER SUB ASSY | 2 | 2 | 2 | |
| 24 | 8KA-23777-00 | SEAT, SPRING 2 | 2 | 2 | 2 | |
| 25 | 90501-75612 | SPRING, COMPRESSION | 2 | 2 | 2 | |
| 26 | 89L-22493-00 | BUMP, STOP | 2 | 2 | 2 | |
| 27 | 8L0-23788-00 | PLATE, BACK UP | 2 | 2 | 2 | |

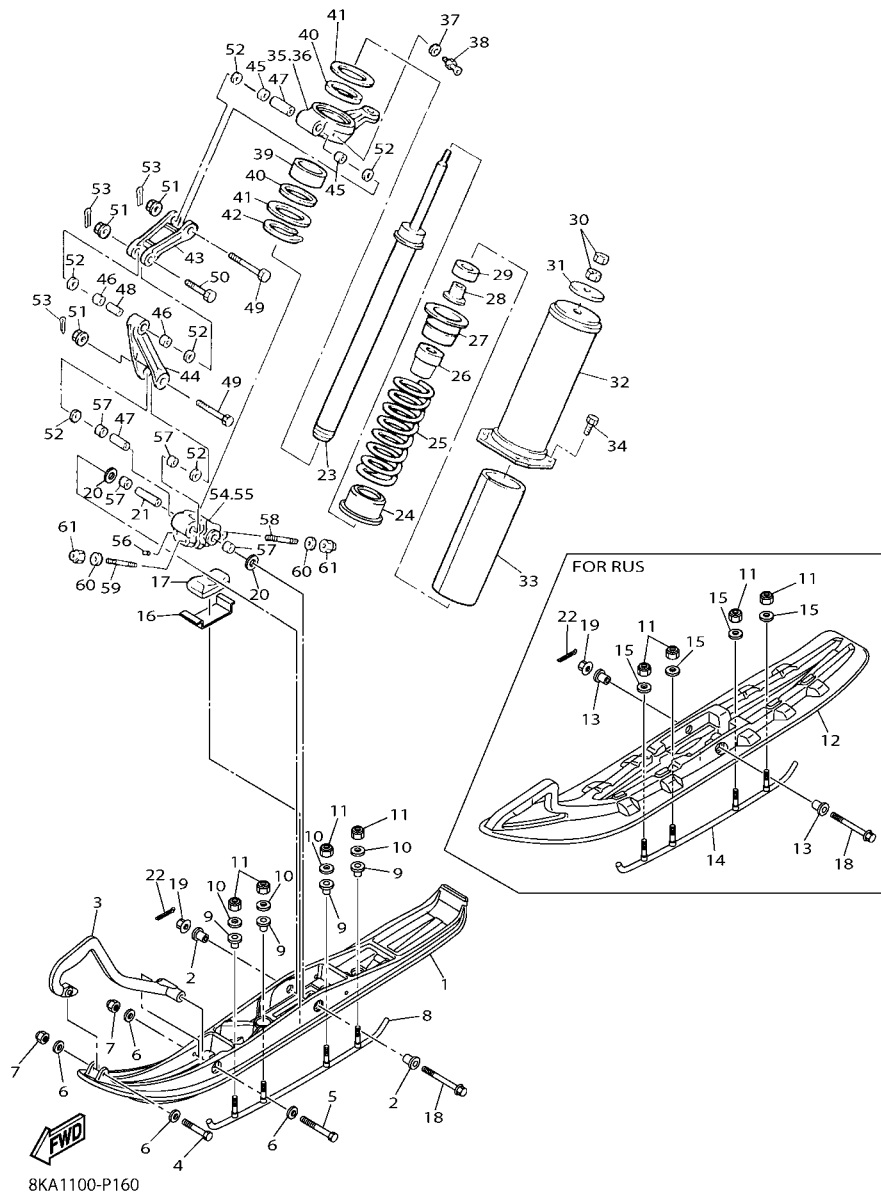


FIG. 16 SKI

| REF. NO. | PART NO. | DESCRIPTION | EUR | RUS | JPN | REMARKS |
|----------|--------------|-----------------------|-----|-----|-----|---------|
| 28 | 90387-084R1 | COLLAR | 2 | 2 | 2 | |
| 29 | 82M-23779-00 | WASHER | 2 | 2 | 2 | |
| 30 | 95302-08600 | NUT | 4 | 4 | 4 | |
| 31 | 90201-080L1 | WASHER, PLATE | 2 | 2 | 2 | |
| 32 | 8AT-2376J-00 | HOLDER, ABSORBER | 2 | 2 | 2 | |
| 33 | 8L0-2376R-00 | PROTECTOR | 2 | 2 | 2 | |
| 34 | 97022-06020 | BOLT, HEXAGON | 8 | 8 | 8 | |
| 35 | 82M-23851-00 | ARM, OUTSIDE 1 (L,H) | 1 | 1 | 1 | |
| 36 | 8AT-23852-00 | ARM, OUTSIDE 2 (R,H) | 1 | 1 | 1 | |
| 37 | 90201-067F9 | WASHER, PLATE | 2 | 2 | 2 | |
| 38 | 93700-06004 | NIPPLE, GREASE | 2 | 2 | 2 | |
| 39 | 90384-53175 | BUSH, BIMETAL FORMED | 2 | 2 | 2 | |
| 40 | 93109-53036 | OIL SEAL | 4 | 4 | 4 | |
| 41 | 90201-536A1 | WASHER, PLATE (T=1.0) | 4 | 4 | 4 | UR UN |
| | 90201-535H6 | WASHER, PLATE (T=2.0) | 4 | 4 | 4 | UR UN |
| 42 | 93410-52061 | CIRCLIP | 2 | 2 | 2 | |
| 43 | 8L0-2382E-01 | ARM, FRONT 1 | 2 | 2 | 2 | |
| 44 | 8L0-2382F-00 | ARM, FRONT 2 | 2 | 2 | 2 | |
| 45 | 90384-14091 | BUSH, BIMETAL FORMED | 4 | 4 | 4 | |
| 46 | 90384-14096 | BUSH, BIMETAL FORMED | 4 | 4 | 4 | |
| 47 | 90387-101Y9 | COLLAR | 4 | 4 | 4 | |
| 48 | 90387-100A4 | COLLAR | 2 | 2 | 2 | |
| 49 | 90102-10039 | BOLT, WITH HOLE | 4 | 4 | 4 | |
| 50 | 90102-10067 | BOLT, WITH HOLE | 2 | 2 | 2 | |
| 51 | 95707-10300 | NUT, FLANGE | 6 | 6 | 6 | |
| 52 | 90202-14037 | WASHER, PLATE | 12 | 12 | 12 | |
| 53 | 91401-20020 | PIN, COTTER | 6 | 6 | 6 | |

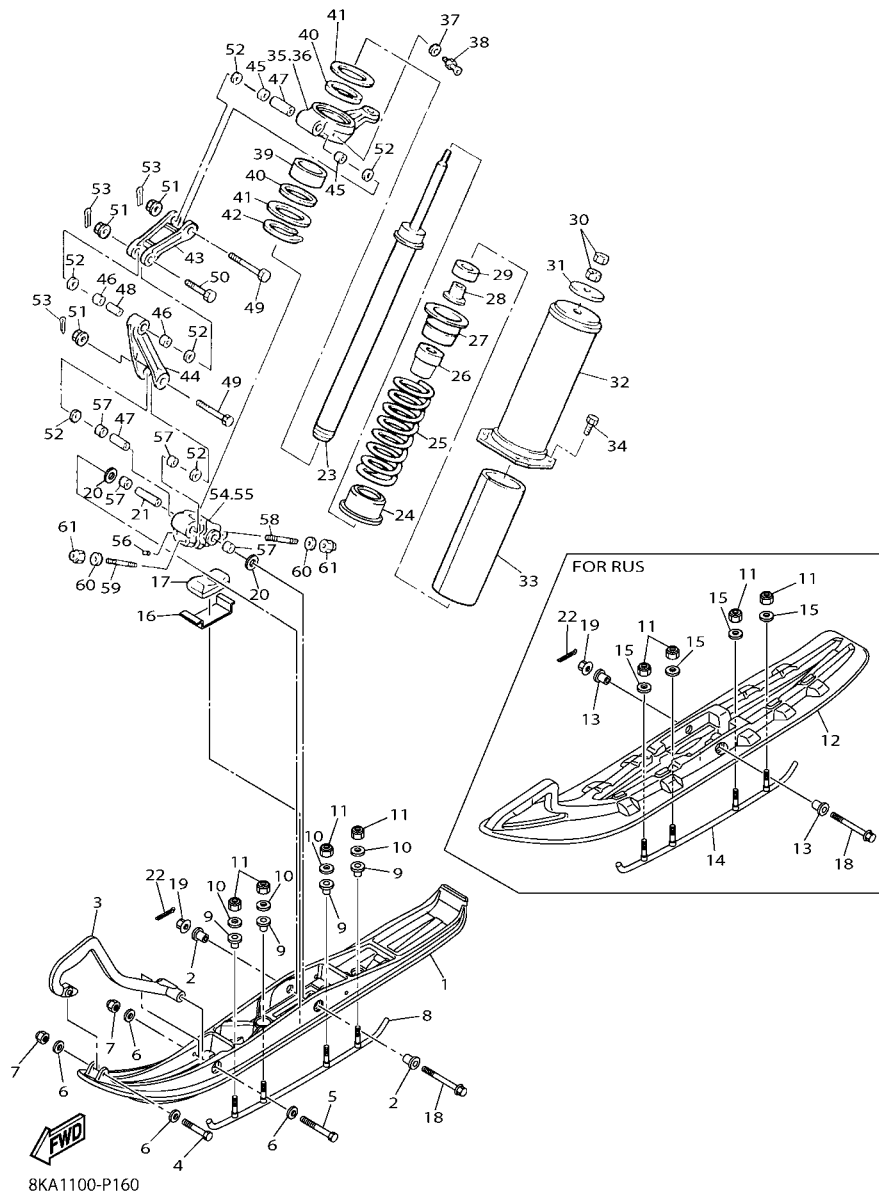
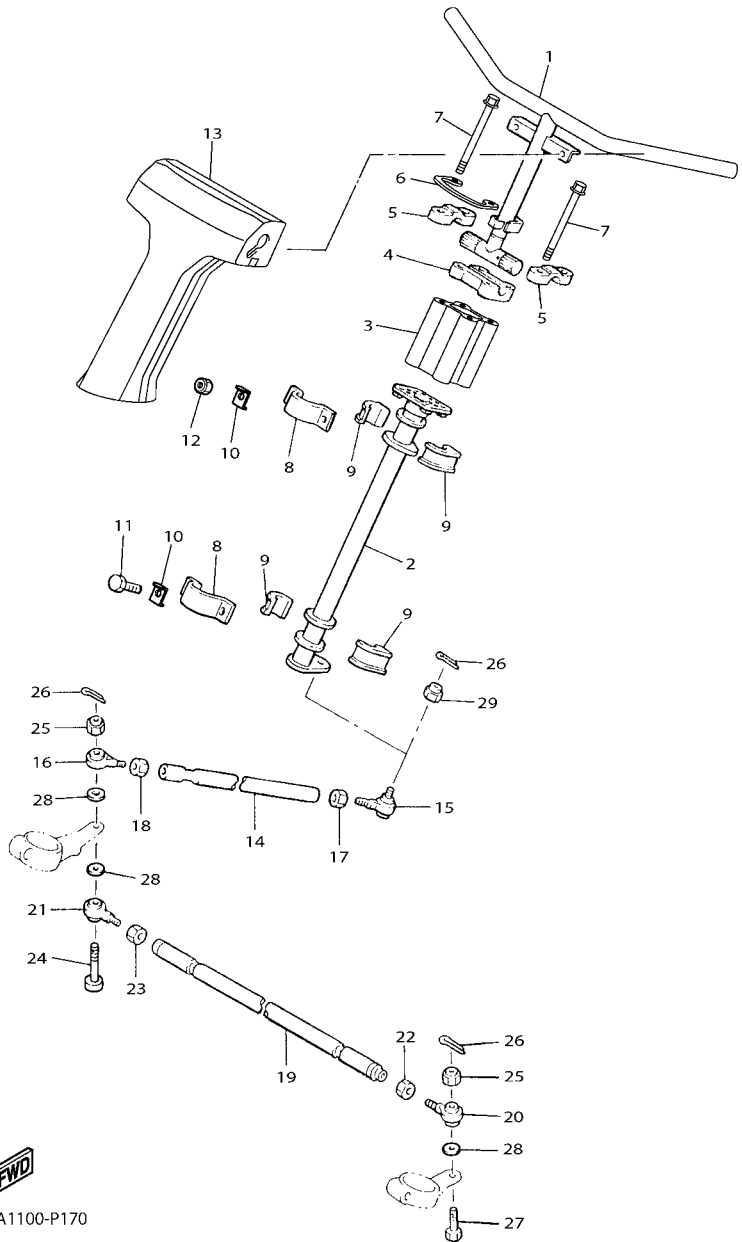


FIG. 16 SKI

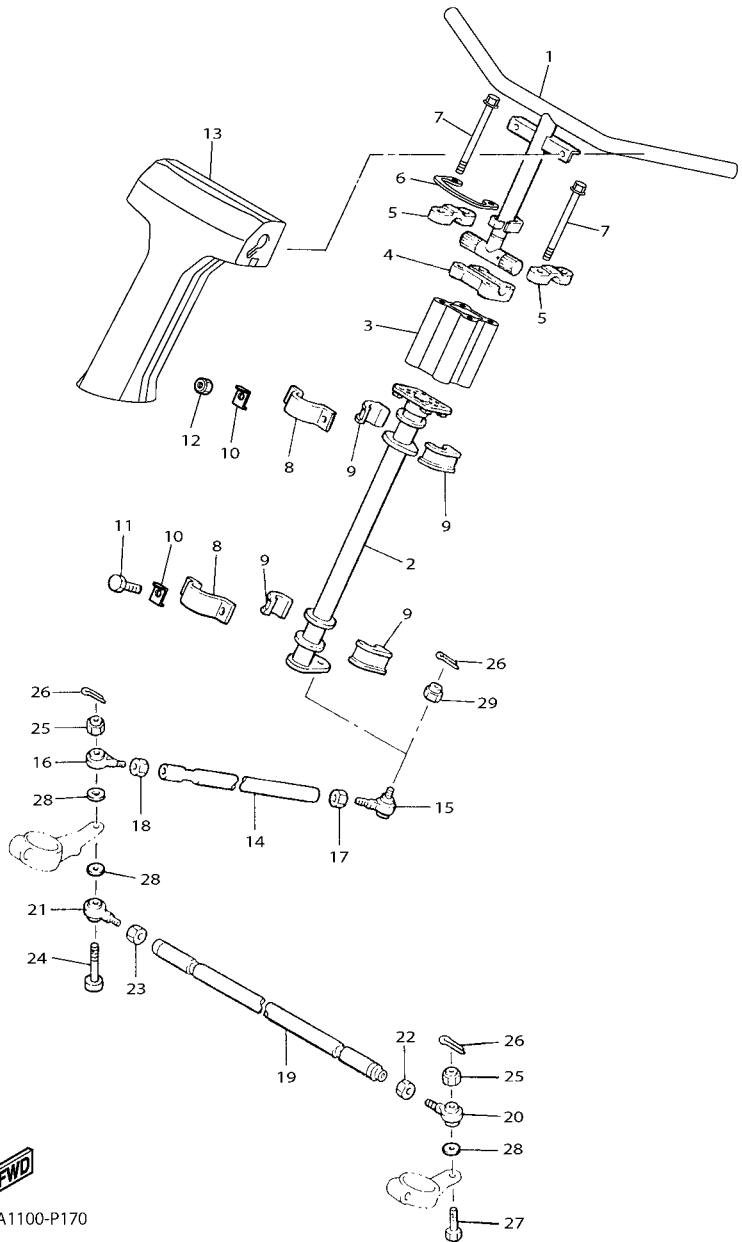
| REF. NO. | PART NO. | DESCRIPTION | EUR | RUS | JPN | REMARKS |
|----------|--------------|----------------------|-----|-----|-----|---------|
| 54 | 84M-2376E-00 | BRACKET 1 | 1 | 1 | 1 | (L,H) |
| 55 | 84M-2377E-00 | BRACKET 2 | 1 | 1 | 1 | (R,H) |
| 56 | 90113-06039 | BOLT, SET | 2 | 2 | 2 | |
| 57 | 90384-14091 | BUSH, BIMETAL FORMED | 8 | 8 | 8 | |
| 58 | 95617-08655 | BOLT, STUD | 2 | 2 | 2 | |
| 59 | 95617-08640 | BOLT, STUD | 2 | 2 | 2 | |
| 60 | 92902-08600 | WASHER, PLATE | 4 | 4 | 4 | |
| 61 | 95702-08300 | NUT, NYLON | 4 | 4 | 4 | |
| ----- | | | | | | |
| ----- | | | | | | |
| ----- | | | | | | |
| ----- | | | | | | |
| ----- | | | | | | |
| ----- | | | | | | |



8KA1100-P170

FIG. 17 STEERING

| REF. NO. | PART NO. | DESCRIPTION | EUR | RUS | JPN | REMARKS |
|----------|--------------|-------------------------|-----|-----|-----|---------------|
| 1 | 8AU-23811-11 | COLUMN, STEERING | 1 | 1 | 1 | |
| 2 | 8KA-23813-00 | COLUMN, STEERING 2 | 1 | 1 | 1 | |
| 3 | 8KA-2381B-00 | JOINT | 1 | 1 | 1 | |
| 4 | 8G5-23814-01 | HOLDER, HANDLE UPPER | 1 | 1 | 1 | |
| 5 | 8K1-23814-00 | HOLDER, HANDLE | 2 | 2 | 2 | |
| 6 | 8JN-23857-00 | HOLDER | 1 | 1 | 1 | |
| 7 | 90105-08364 | BOLT, FLANGE | 4 | 4 | 4 | |
| 8 | 84M-23868-00 | BRACKET, STEERING LOWER | 2 | 2 | 2 | |
| 9 | 8F3-23812-00 | BEARING, STEERING | 4 | 4 | 4 | |
| 10 | 8AC-23894-01 | WASHER, LOCK 1 | 4 | 4 | 4 | |
| 11 | 90101-08005 | BOLT | 2 | 2 | 2 | |
| 12 | 90185-08054 | NUT, SELF-LOCKING | 2 | 2 | 2 | |
| 13 | 8KA-23815-00 | PAD, STEERING | 1 | 1 | 1 | |
| 14 | 8AT-23821-00 | ROD, STEERING RELAY | 1 | 1 | 1 | |
| 15 | 86X-23841-00 | JOINT, UNIVERSAL 1 | 1 | 1 | 1 | |
| 16 | 87S-23847-01 | JOINT, UNIVERSAL 3 | 1 | 1 | 1 | (L.H. THREAD) |
| 17 | 95307-10700 | NUT | 1 | 1 | 1 | |
| 18 | 90170-10186 | NUT | 1 | 1 | 1 | (L.H. THREAD) |
| 19 | 8AT-23831-00 | ROD, TIE | 1 | 1 | 1 | |
| 20 | 87S-23845-01 | JOINT, UNIVERSAL 2 | 1 | 1 | 1 | |
| 21 | 87S-23847-01 | JOINT, UNIVERSAL 3 | 1 | 1 | 1 | (L.H. THREAD) |
| 22 | 95307-10700 | NUT | 1 | 1 | 1 | |
| 23 | 90170-10186 | NUT | 1 | 1 | 1 | (L.H. THREAD) |
| 24 | 90102-10067 | BOLT, WITH HOLE | 1 | 1 | 1 | |
| 25 | 95707-10300 | NUT, FLANGE | 2 | 2 | 2 | |
| 26 | 91401-25020 | PIN, COTTER | 3 | 3 | 3 | |
| 27 | 90102-10044 | BOLT, WITH HOLE | 1 | 1 | 1 | |



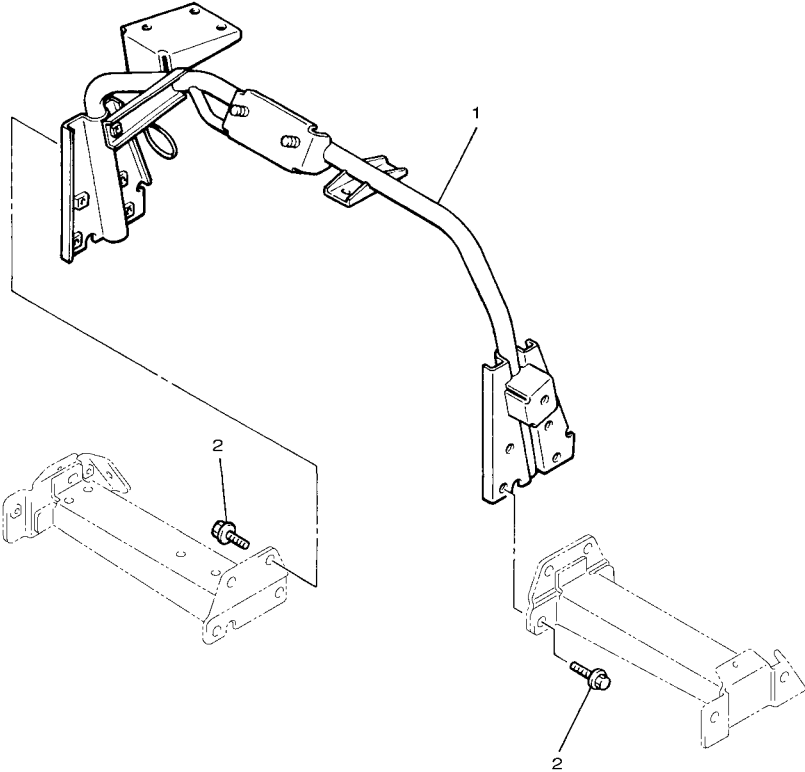
8KA1100-P170

FIG. 17 STEERING

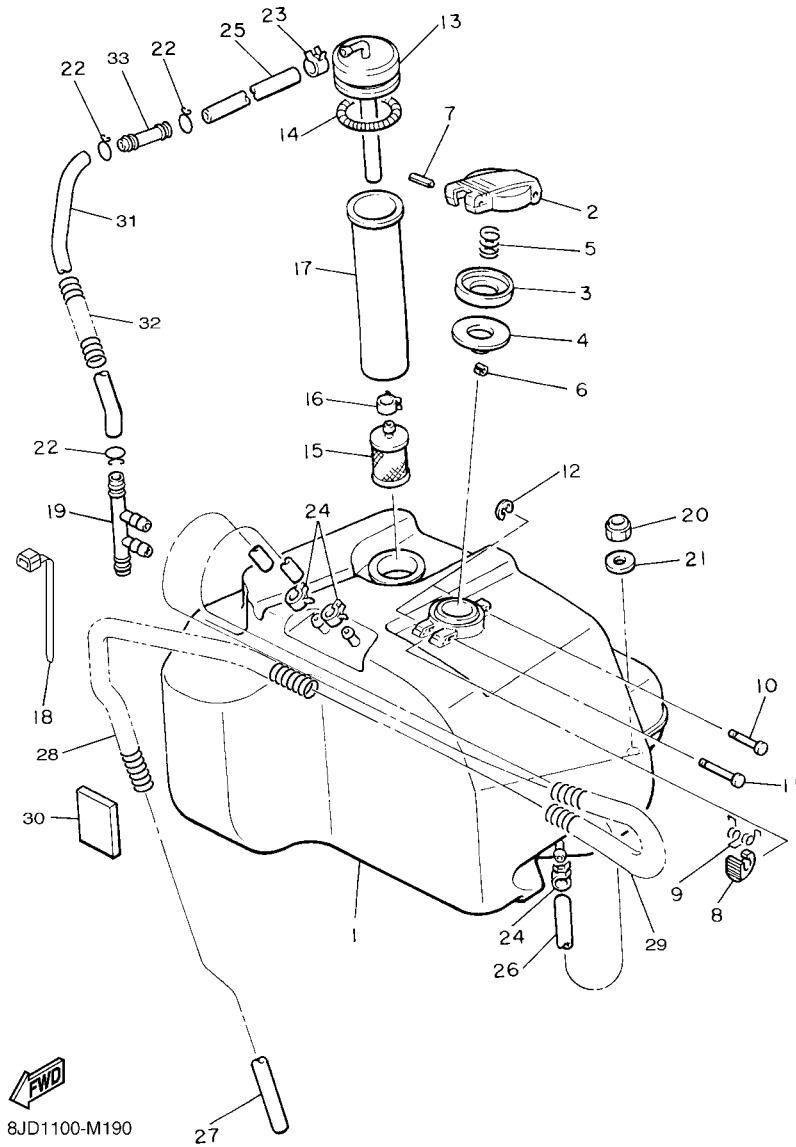
| REF. NO. | PART NO. | DESCRIPTION | EUR | RUS | JPN | REMARKS |
|----------|-------------|-------------------|-----|-----|-----|---------|
| 28 | 90201-08759 | WASHER, PLATE | 3 | 3 | 3 | |
| 29 | 90185-10085 | NUT, SELF-LOCKING | 1 | 1 | 1 | |
| ----- | | | | | | |
| ----- | | | | | | |
| ----- | | | | | | |
| ----- | | | | | | |
| ----- | | | | | | |
| ----- | | | | | | |
| ----- | | | | | | |
| ----- | | | | | | |
| ----- | | | | | | |
| ----- | | | | | | |

FIG. 18 STEERING GATE

| REF. NO. | PART NO. | DESCRIPTION | EUR | RUS | JPN | | | REMARKS |
|----------|--------------|---------------------|-----|-----|-----|--|--|---------|
| 1 | 83R-23870-00 | STEERING GATE COMP. | 1 | 1 | 1 | | | |
| 2 | 95802-08016 | BOLT, FLANGE | 8 | 8 | 8 | | | |
| ----- | | | | | | | | |
| ----- | | | | | | | | |
| ----- | | | | | | | | |
| ----- | | | | | | | | |
| ----- | | | | | | | | |
| ----- | | | | | | | | |
| ----- | | | | | | | | |
| ----- | | | | | | | | |
| ----- | | | | | | | | |



8JD1100-M180



8JD1100-M190

FIG. 19 FUEL TANK

| REF. NO. | PART NO. | DESCRIPTION | EUR | RUS | JPN | REMARKS |
|----------|--------------|----------------------|-----|-----|-----|---------|
| 1 | 83R-24111-00 | TANK, FUEL | 1 | 1 | 1 | |
| 2 | 8W6-24611-00 | BODY, CAP | 1 | 1 | 1 | |
| 3 | 813-24613-01 | DISC, CAP | 1 | 1 | 1 | |
| 4 | 8F7-24641-00 | GASKET, CAP 1 | 1 | 1 | 1 | |
| 5 | 90501-20130 | SPRING, COMPRESSION | 1 | 1 | 1 | |
| 6 | 91609-30016 | PIN, SPRING | 1 | 1 | 1 | |
| 7 | 91609-25050 | PIN, SPRING | 1 | 1 | 1 | |
| 8 | 83M-24628-00 | HOOK | 1 | 1 | 1 | |
| 9 | 90508-10715 | SPRING, TORSION | 1 | 1 | 1 | |
| 10 | 90249-03175 | PIN | 1 | 1 | 1 | |
| 11 | 90249-03017 | PIN | 1 | 1 | 1 | |
| 12 | 93430-02001 | CIRCLIP | 2 | 2 | 2 | |
| 13 | 83R-24335-00 | PIPE, SUCTION 1 | 1 | 1 | 1 | |
| 14 | 90506-06065 | SPRING, TENSION | 1 | 1 | 1 | |
| 15 | 8H5-24560-00 | FILTER ASSY | 1 | 1 | 1 | |
| 16 | 90467-11032 | CLIP | 1 | 1 | 1 | |
| 17 | 813-24336-00 | PIPE, SUCTION 2 | 1 | 1 | 1 | |
| 18 | 90464-15195 | CLAMP | 5 | 5 | 5 | |
| 19 | 82M-24376-00 | PIPE, JOINT 1 | 1 | 1 | 1 | |
| 20 | 95702-08300 | NUT, NYLON | 2 | 2 | 2 | |
| 21 | 90201-08784 | WASHER, PLATE | 2 | 2 | 2 | |
| 22 | 90467-11009 | CLIP | 3 | 3 | 3 | |
| 23 | 90467-11032 | CLIP | 1 | 1 | 1 | |
| 24 | 90467-09026 | CLIP | 3 | 3 | 3 | |
| 25 | 90445-115K6 | HOSE (L390) | 1 | 1 | 1 | |
| 26 | 90445-095F1 | HOSE (L650) | 1 | 1 | | |
| | 91A20-05065 | TUBE, FLEXIBLE VINYL | | | 1 | |

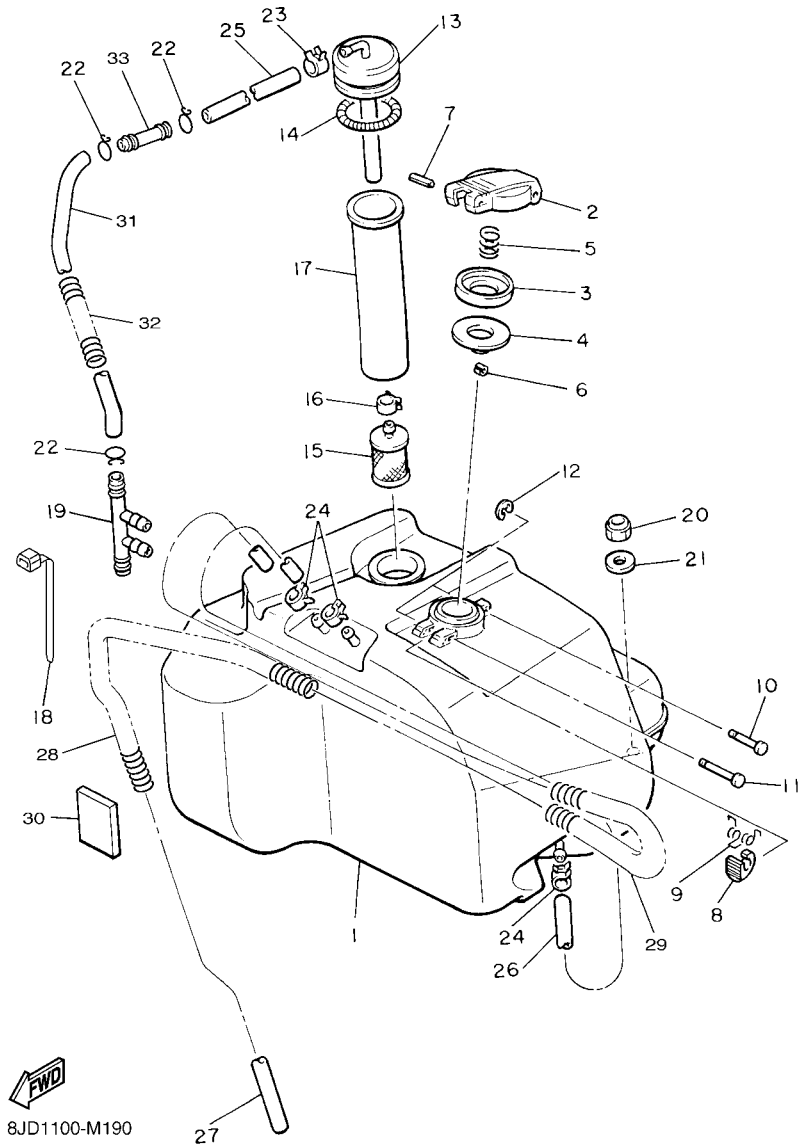
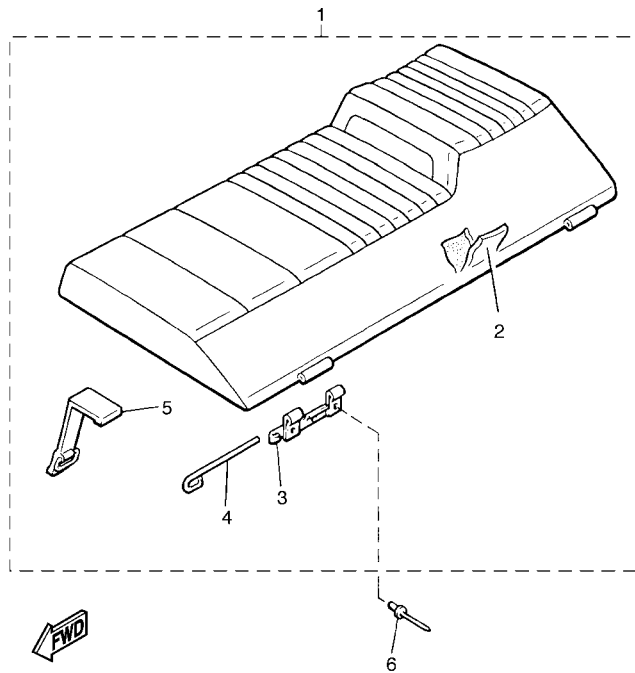
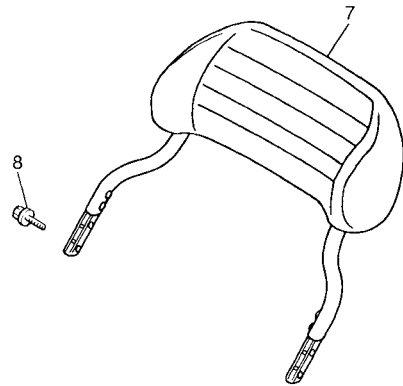


FIG. 19 FUEL TANK

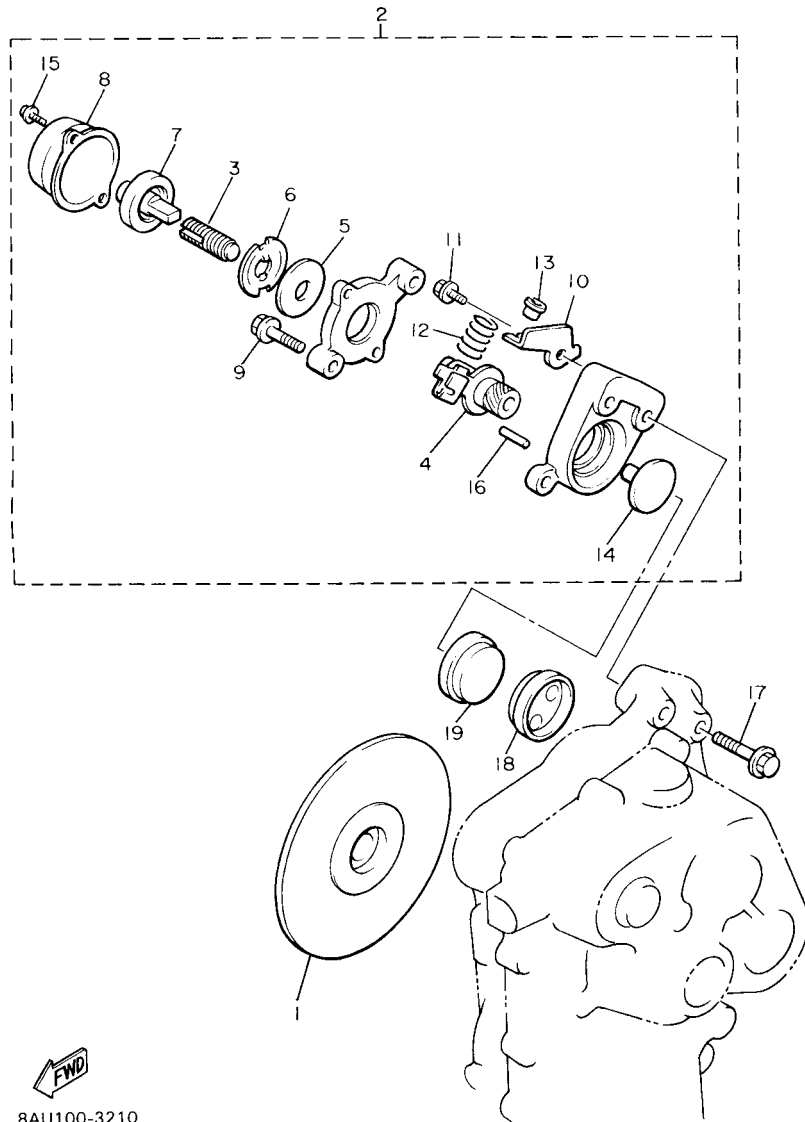
| REF. NO. | PART NO. | DESCRIPTION | EUR | RUS | JPN | REMARKS |
|----------|--------------|---------------------|-----|-----|-----|---------|
| 27 | 91A21-05155 | TUBE, FLEXIBLE | 1 | 1 | 1 | |
| 28 | 90501-083J9 | SPRING, COMPRESSION | 1 | 1 | 1 | |
| 29 | 81E-24328-00 | PROTECTOR, PIPE | 1 | 1 | 1 | |
| 30 | 8V0-23858-00 | SPACER | 1 | 1 | 1 | |
| 31 | 90445-114J9 | HOSE (L265) | 1 | 1 | 1 | |
| 32 | 84M-24327-00 | PROTECTOR, PIPE | 1 | 1 | 1 | |
| 33 | 878-24379-00 | PIPE, JOINT 4 | 1 | 1 | 1 | |
| | | | | | | |
| | | | | | | |
| | | | | | | |
| | | | | | | |
| | | | | | | |
| | | | | | | |
| | | | | | | |
| | | | | | | |
| | | | | | | |



FWD
8ACD100-C200

FIG. 20 SEAT

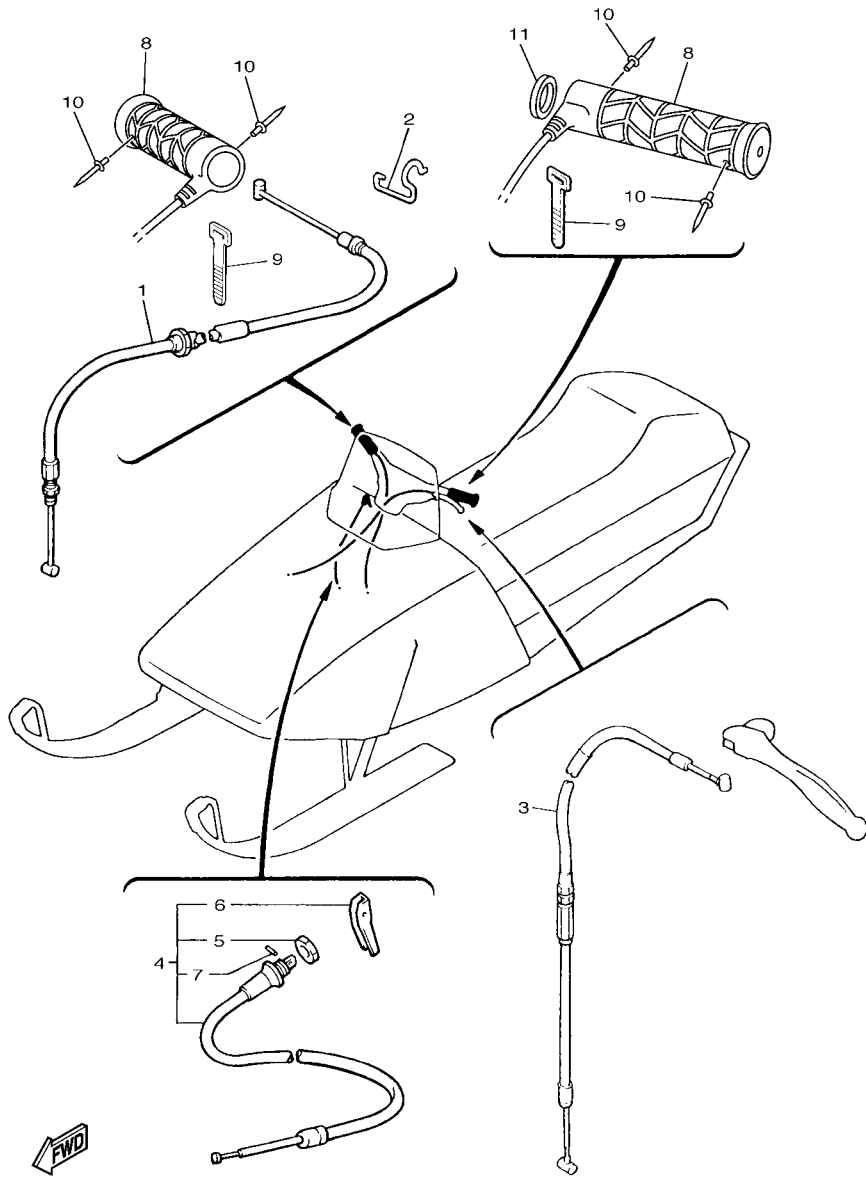
| REF. NO. | PART NO. | DESCRIPTION | EUR | RUS | JPN | REMARKS |
|----------|--------------|------------------------------|-----|-----|-----|---------|
| 1 | 8AC-24730-01 | DOUBLE SEAT ASSY | 1 | 1 | 1 | |
| 2 | 8AC-2470F-00 | .SEAT COVER COMP. | 1 | 1 | 1 | |
| 3 | 83R-24729-00 | .SPACER 2 | 2 | 2 | 2 | |
| 4 | 86V-77384-00 | .PIN | 2 | 2 | 2 | |
| 5 | 8AT-24778-00 | .BAND, SEAT FITTING | 2 | 2 | 2 | |
| 6 | 90267-48060 | RIVET,BLIND (4.8X12.9 BLACK) | 6 | 6 | 6 | |
| 7 | 8AC-24790-10 | SEAT BACK ASSY | 1 | 1 | 1 | |
| 8 | 90105-06437 | BOLT, FLANGE | 4 | 4 | 4 | |



8AU100-3210

FIG. 21 BRAKE

| REF. NO. | PART NO. | DESCRIPTION | EUR | RUS | JPN | REMARKS |
|----------|--------------|---------------------|-----|-----|-----|---------|
| 1 | 83R-25831-00 | DISC, BRAKE (RIGHT) | 1 | 1 | 1 | |
| 2 | 87R-25730-01 | CALIPER BODY COMP.1 | 1 | 1 | 1 | |
| 3 | 86M-25738-00 | .SCREW, ADJUSTING 1 | 1 | 1 | 1 | |
| 4 | 87R-25726-01 | .LEVER, BRAKE | 1 | 1 | 1 | |
| 5 | 86M-25827-00 | .SHIM, CALIPER | 1 | 1 | 1 | |
| 6 | 86M-25773-00 | .LOCK, ONE WAY 2 | 1 | 1 | 1 | |
| 7 | 86M-25771-00 | .RATCHET, ADJUSTING | 1 | 1 | 1 | |
| 8 | 86M-25772-00 | .COVER | 1 | 1 | 1 | |
| 9 | 86M-25818-00 | .BOLT, CALIPER | 2 | 2 | 2 | |
| 10 | 87R-25721-00 | .BRACKET, CALIPER | 1 | 1 | 1 | |
| 11 | 86M-25826-00 | .BOLT 3 | 1 | 1 | 1 | |
| 12 | 87R-25743-00 | .SPRING | 1 | 1 | 1 | |
| 13 | 87R-25722-00 | .BRACKET, ADJUSTING | 1 | 1 | 1 | |
| 14 | 86M-25733-00 | .PLATE, BACK UP | 1 | 1 | 1 | |
| 15 | 86M-25833-00 | .BOLT, FITTING | 2 | 2 | 2 | |
| 16 | 86M-25744-00 | .PIN 2 | 1 | 1 | 1 | |
| 17 | 95827-10050 | BOLT, FLANGE | 2 | 2 | 2 | |
| 18 | 89J-25811-00 | PAD, CALIPER 2 | 1 | 1 | 1 | |
| 19 | 89J-25911-00 | PAD, CALIPER 2 | 1 | 1 | 1 | |
| | | | | | | |
| | | | | | | |
| | | | | | | |



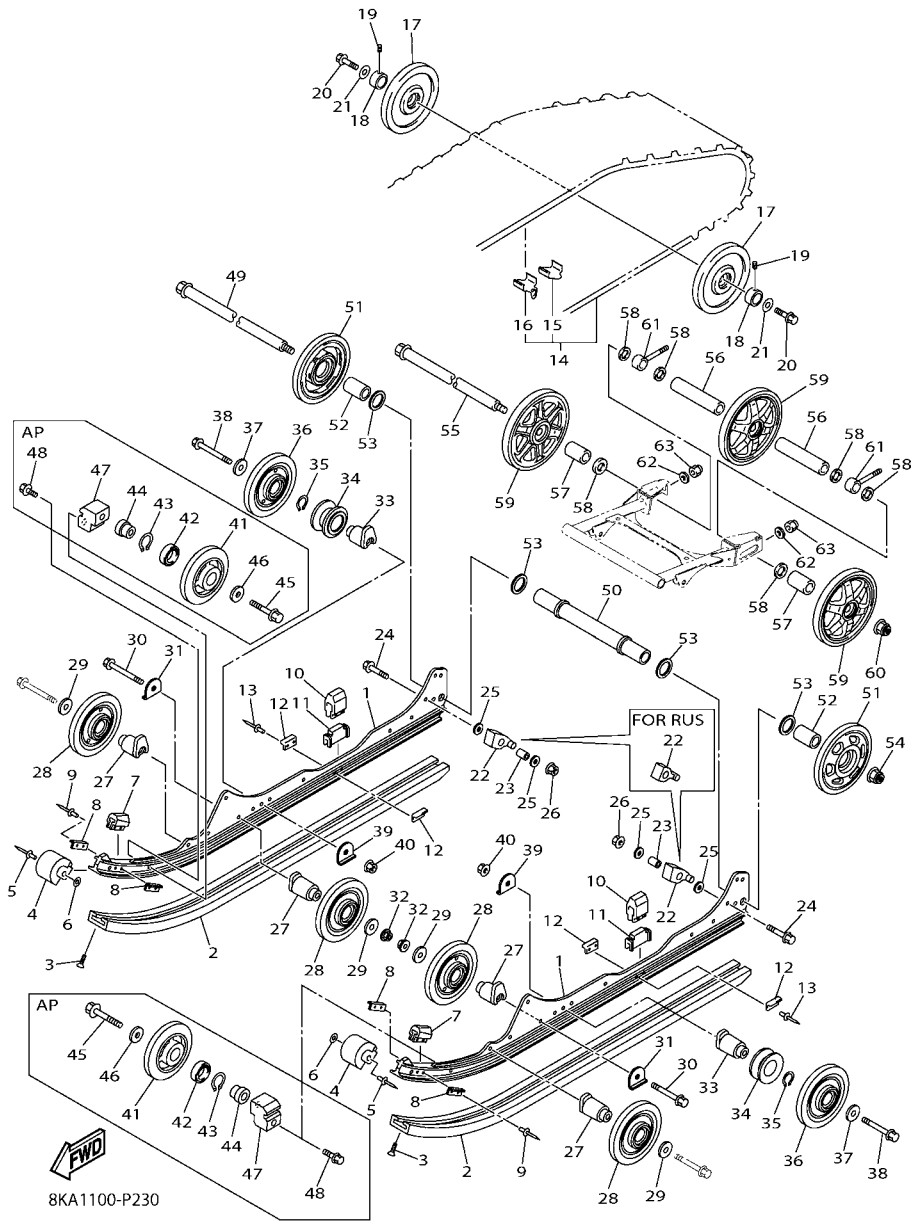
8JD2100-N220

FIG. 22 CONTROL CABLE

| REF. NO. | PART NO. | DESCRIPTION | EUR | RUS | JPN | REMARKS |
|----------|--------------|-------------------------------|-----|-----|-----|---------|
| 1 | 8KA-26311-00 | CABLE, THROTTLE 1 | 1 | 1 | 1 | |
| 2 | 90465-10189 | CLAMP | 1 | 1 | 1 | |
| 3 | 8KA-26340-00 | CABLE, BRAKE | 1 | 1 | 1 | |
| 4 | 83R-26331-01 | CABLE, STARTER 1 | 1 | 1 | 1 | |
| 5 | 8G8-26333-00 | .NUT | 1 | 1 | 1 | |
| 6 | 8U9-26325-00 | .KNOB, STARTER | 1 | 1 | 1 | |
| 7 | 91609-30010 | .PIN, SPRING | 1 | 1 | 1 | |
| 8 | 8DX-26240-01 | GRIP ASSY | 2 | 2 | 2 | |
| 9 | 437-83936-01 | BAND, SWITCH CORD | 2 | 2 | 2 | |
| 10 | 90267-48014 | RIVET, BLIND (4.8X15.1 BLACK) | 4 | 4 | 4 | |
| 11 | 90387-220X0 | COLLAR | 1 | 1 | 1 | |
| | | | | | | |
| | | | | | | |
| | | | | | | |
| | | | | | | |
| | | | | | | |
| | | | | | | |
| | | | | | | |
| | | | | | | |
| | | | | | | |
| | | | | | | |
| | | | | | | |

FIG. 23 TRACK SUSPENSION 1

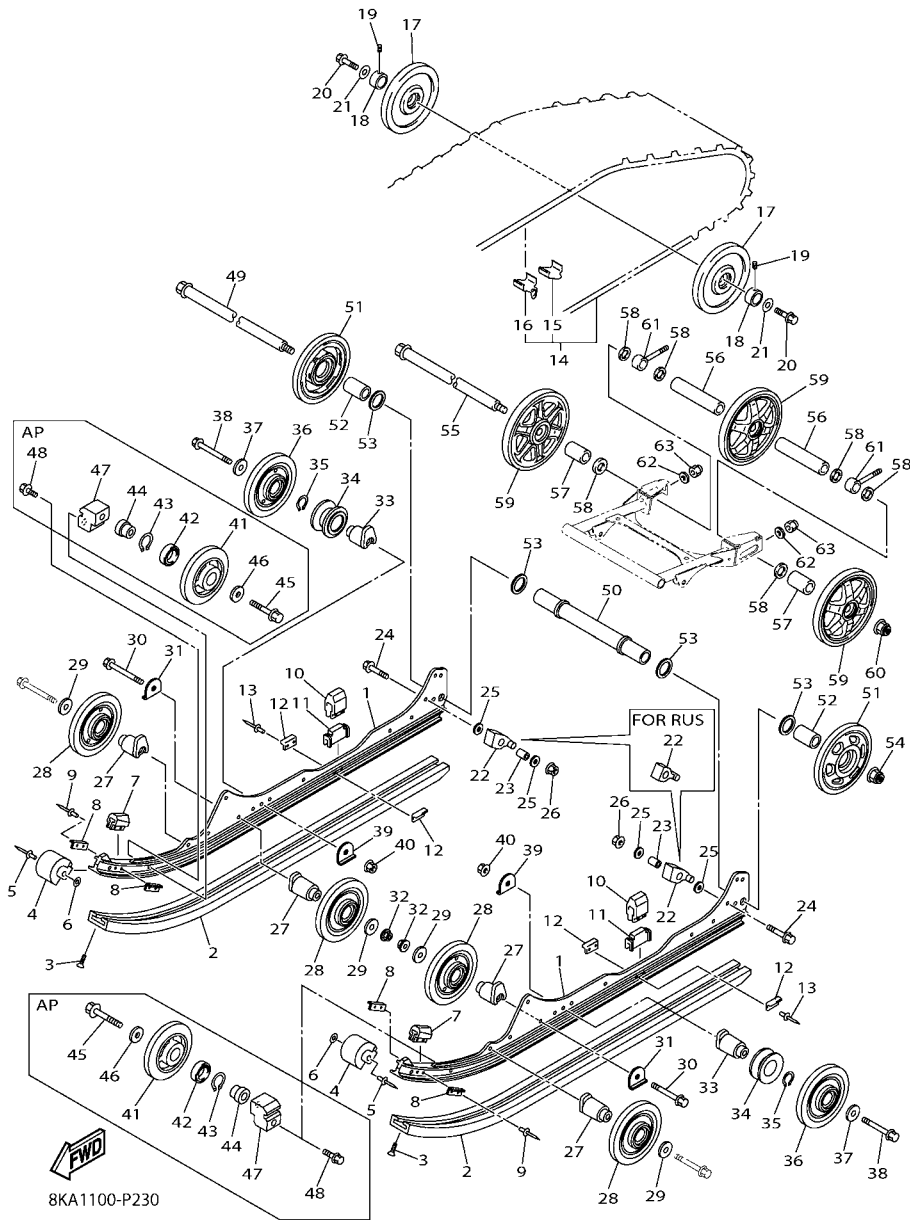
| REF. NO. | PART NO. | DESCRIPTION | EUR | RUS | JPN | REMARKS |
|----------|--------------|------------------------------|-----|-----|-----|---------|
| 1 | 8KA-4741A-00 | FRAME, SLIDING | 2 | 2 | 2 | |
| 2 | 8JD-47421-01 | RUNNER, SLIDING 1 | 2 | 2 | 2 | |
| 3 | 90151-06010 | SCREW, COUNTERSUNK | 2 | 2 | 2 | |
| 4 | 8GL-47422-00 | RUNNER, SLIDING 2 | 2 | 2 | 2 | |
| 5 | 90267-48194 | RIVET, BLIND (4.8X28 SILVER) | 4 | 4 | 4 | |
| 6 | 90201-047R8 | WASHER, PLATE | 4 | 4 | 4 | |
| 7 | 8ES-47456-00 | DAMPER 1 | 2 | 2 | 2 | |
| 8 | 8K2-47458-01 | PLATE, DAMPER | 4 | 4 | 4 | |
| 9 | 90267-48199 | RIVET, BLIND (4.8X28.3) | 4 | 4 | 4 | |
| 10 | 8AC-47457-00 | DAMPER 2 | 2 | 2 | 2 | |
| 11 | 8KA-47573-00 | SPACER | 2 | 2 | 2 | |
| 12 | 8AX-47458-00 | PLATE, DAMPER | 4 | 4 | 4 | |
| 13 | 90267-48199 | RIVET, BLIND (4.8X28.3) | 4 | 4 | 4 | |
| 14 | 8JD-47110-01 | TRACK ASSY | 1 | 1 | 1 | |
| 15 | 8HR-47113-09 | .PLATE, REINFORCEMENT | 72 | 72 | 72 | |
| 16 | 8HR-47115-09 | .METAL, SLIDE | 36 | 36 | 36 | |
| 17 | 8AC-47550-00 | GUIDE WHEEL ASSY | 2 | 2 | 2 | |
| 18 | 8JD-47365-00 | COLLAR 1 | 2 | 2 | 2 | |
| 19 | 90113-06039 | BOLT, SET | 2 | 2 | 2 | |
| 20 | 90109-10030 | BOLT | 2 | 2 | 2 | |
| 21 | 90201-10072 | WASHER, PLATE | 2 | 2 | 2 | |
| 22 | 8KE-47496-00 | STOPPER 2 | 2 | 2 | | |
| | 8JH-47496-00 | STOPPER 2 | | 2 | | |
| 23 | 90387-105G5 | COLLAR | 2 | 2 | 2 | |
| 24 | 90105-10339 | BOLT, FLANGE | 2 | 2 | 2 | |
| 25 | 90201-10051 | WASHER, PLATE | 4 | 4 | 4 | |
| 26 | 95602-10200 | NUT, U FLANGE | 2 | 2 | 2 | |



8KA1100-P230

FIG. 23 TRACK SUSPENSION 1

| REF. NO. | PART NO. | DESCRIPTION | EUR | RUS | JPN | REMARKS |
|----------|--------------|------------------------|-----|-----|-----|---------|
| 27 | 8ES-47419-20 | BRACKET 7 | 4 | 4 | 4 | |
| 28 | 8KA-47310-00 | SUSPENSION WHEEL ASSY | 4 | 4 | 4 | |
| 29 | 90201-101U2 | WASHER, PLATE | 4 | 4 | 4 | |
| 30 | 95812-10080 | BOLT, FLANGE | 2 | 2 | 2 | |
| 31 | 90214-10004 | WASHER, CLAW | 2 | 2 | 2 | |
| 32 | 95602-10200 | NUT, U FLANGE | 2 | 2 | 2 | |
| 33 | 8ES-47419-10 | BRACKET 7 | 2 | 2 | 2 | |
| 34 | 8ET-47446-00 | HOOK 1 | 2 | 2 | 2 | |
| 35 | 99009-35400 | CIRCLIP | 2 | 2 | 2 | |
| 36 | 8KA-47310-00 | SUSPENSION WHEEL ASSY | 2 | 2 | 2 | |
| 37 | 90201-101U2 | WASHER, PLATE | 2 | 2 | 2 | |
| 38 | 95812-10080 | BOLT, FLANGE | 2 | 2 | 2 | |
| 39 | 90214-10003 | WASHER, CLAW | 2 | 2 | 2 | |
| 40 | 95602-10200 | NUT, U FLANGE | 2 | 2 | 2 | |
| 41 | 8AC-47320-00 | SUSPENSION WHEEL COMP. | 2 | 2 | 2 | AP |
| 42 | 93306-00444 | BEARING | 2 | 2 | 2 | AP |
| 43 | 99009-42500 | CIRCLIP | 2 | 2 | 2 | AP |
| 44 | 8GP-47319-00 | COLLAR | 2 | 2 | 2 | AP |
| 45 | 95812-10045 | BOLT, FLANGE | 2 | 2 | 2 | AP |
| 46 | 90201-10052 | WASHER, PLATE | 2 | 2 | 2 | AP |
| 47 | 8GP-47419-00 | BRACKET 7 | 2 | 2 | 2 | AP |
| 48 | 90105-10237 | BOLT, FLANGE | 2 | 2 | 2 | AP |
| 49 | 8JN-47520-00 | REAR AXLE COMP. | 1 | 1 | 1 | |
| 50 | 83R-47469-10 | COLLAR 1 | 1 | 1 | 1 | |
| 51 | 8HP-47310-10 | SUSPENSION WHEEL ASSY | 2 | 2 | 2 | |
| 52 | 90387-20022 | COLLAR | 2 | 2 | 2 | |
| 53 | 90201-20022 | WASHER, PLATE | 4 | 4 | 4 | |



8KA1100-P230

FIG. 23 TRACK SUSPENSION 1

| REF. NO. | PART NO. | DESCRIPTION | EUR | RUS | JPN | REMARKS |
|----------|--------------|-------------------|-----|-----|-----|---------|
| 54 | 95602-14200 | NUT, SELF-LOCKING | 1 | 1 | 1 | |
| 55 | 8JN-47520-00 | REAR AXLE COMP. | 1 | 1 | 1 | |
| 56 | 90387-20023 | COLLAR | 2 | 2 | 2 | |
| 57 | 90387-20022 | COLLAR | 2 | 2 | 2 | |
| 58 | 90201-20022 | WASHER, PLATE | 6 | 6 | 6 | |
| 59 | 8KA-47550-00 | GUIDE WHEEL ASSY | 3 | 3 | 3 | |
| 60 | 95602-14200 | NUT, SELF-LOCKING | 1 | 1 | 1 | |
| 61 | 8DM-47479-00 | COLLAR 3 | 2 | 2 | 2 | |
| 62 | 92902-10600 | WASHER, PLATE | 2 | 2 | 2 | |
| 63 | 95702-10300 | NUT, NYLON | 2 | 2 | 2 | |
| | | | | | | |
| | | | | | | |
| | | | | | | |
| | | | | | | |
| | | | | | | |
| | | | | | | |

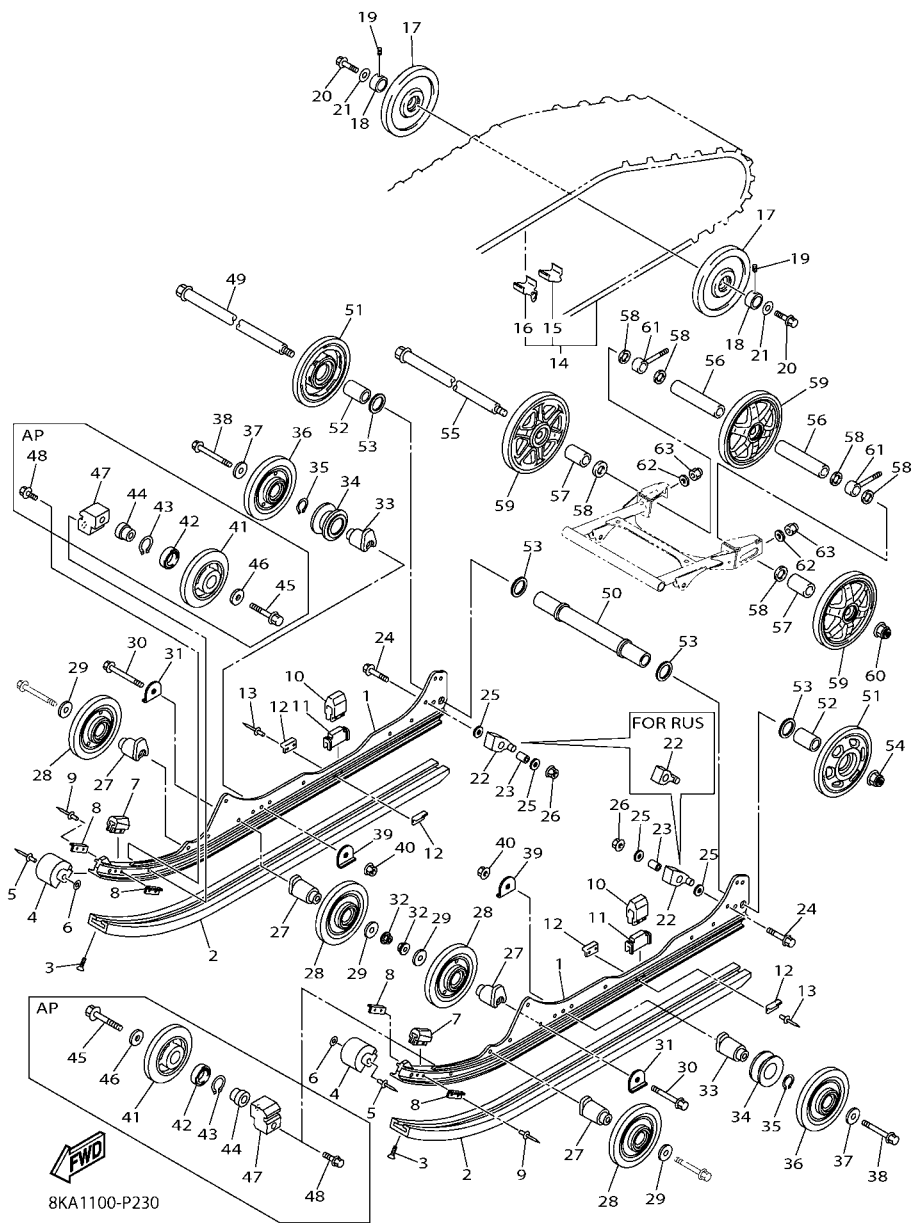
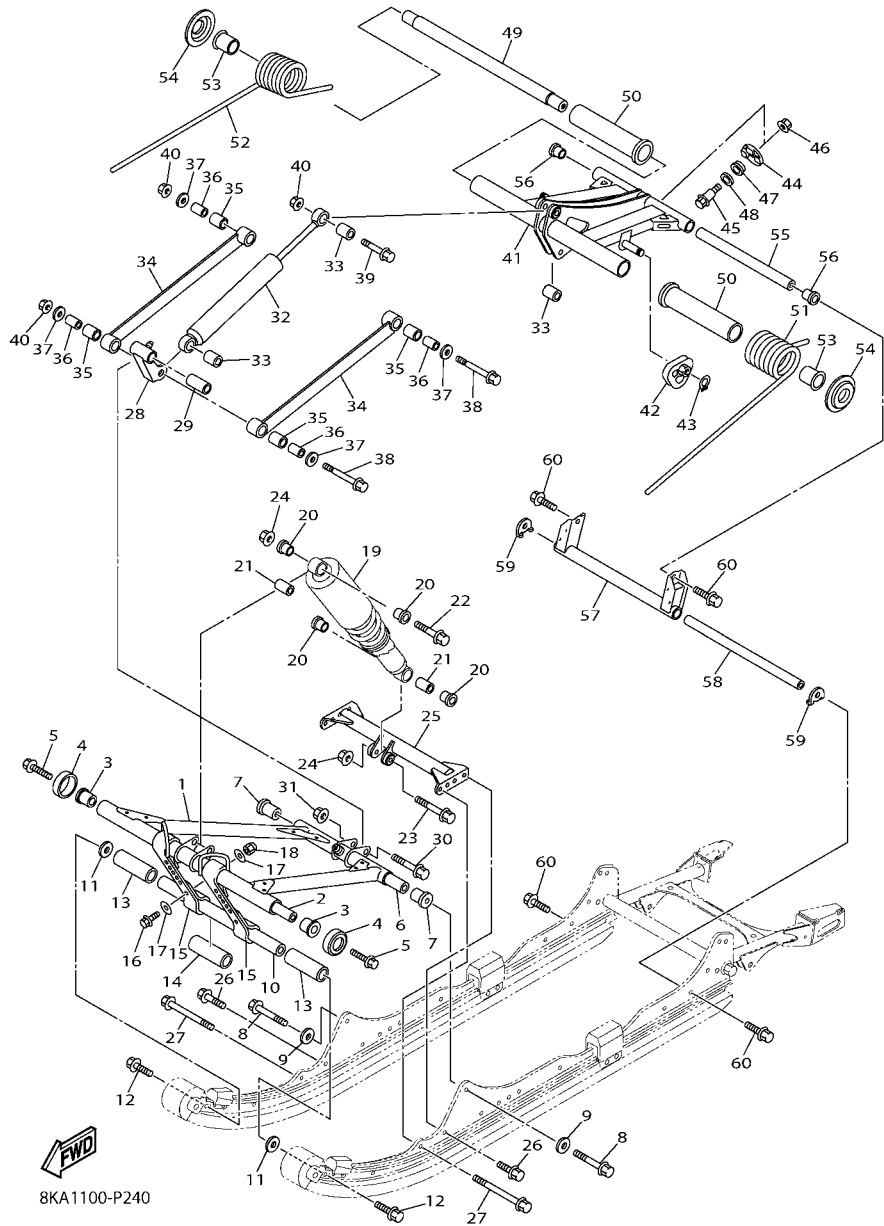


FIG. 24 TRACK SUSPENSION 2

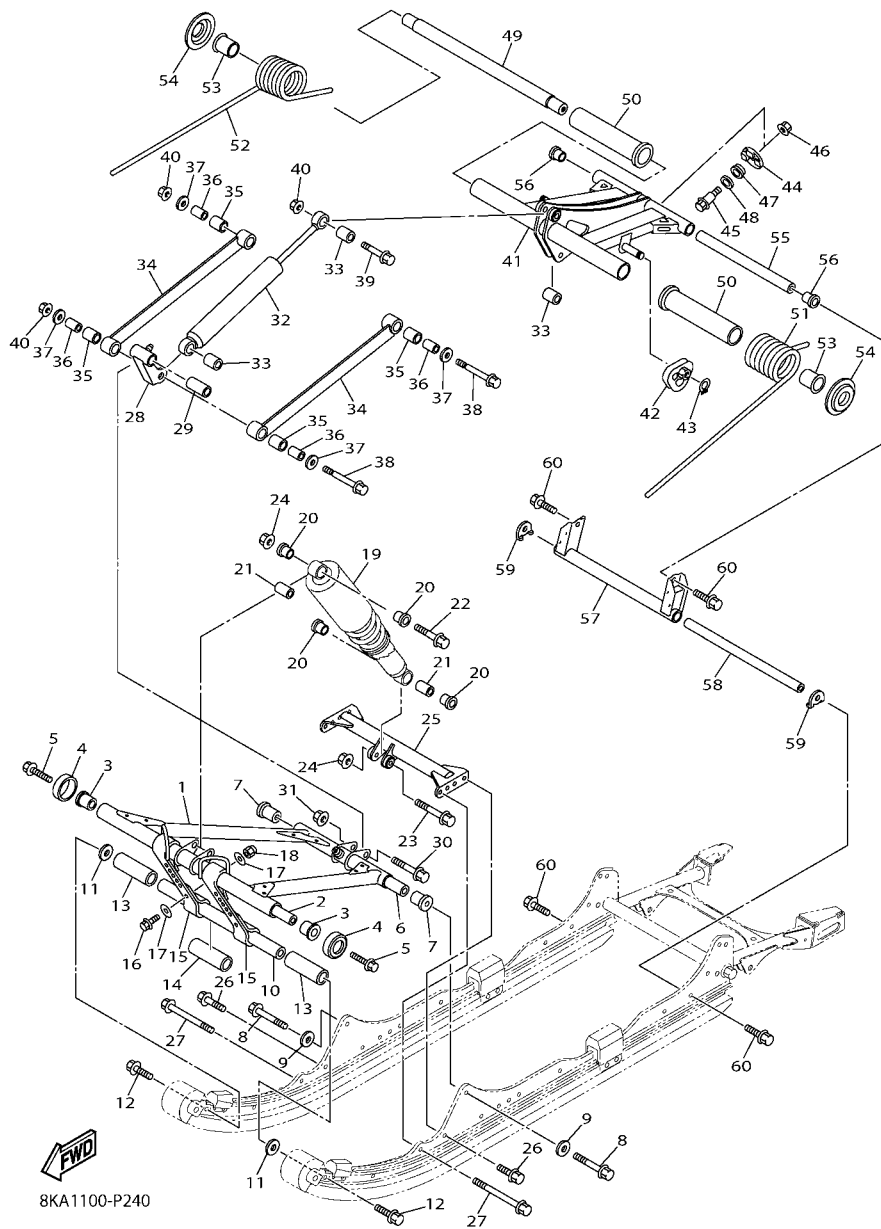
| REF. NO. | PART NO. | DESCRIPTION | EUR | RUS | JPN | REMARKS |
|----------|--------------|--------------------|-----|-----|-----|---------|
| 1 | 8KA-47331-00 | ARM, PIVOT 1 | 1 | 1 | 1 | |
| 2 | 8KA-47465-00 | SHAFT 1 | 1 | 1 | 1 | |
| 3 | 90383-22001 | BUSH, FORMED | 2 | 2 | 2 | |
| 4 | 8KA-47341-00 | SPACER | 2 | 2 | 2 | |
| 5 | 90109-10030 | BOLT | 2 | 2 | 2 | |
| 6 | 8JD-47486-00 | SHAFT 4 | 1 | 1 | 1 | |
| 7 | 90387-10022 | COLLAR | 2 | 2 | 2 | |
| 8 | 90105-10329 | BOLT, FLANGE | 2 | 2 | 2 | |
| 9 | 90201-10072 | WASHER, PLATE | 2 | 2 | 2 | |
| 10 | 83R-47485-02 | SHAFT 3 | 1 | 1 | 1 | |
| 11 | 90201-10126 | WASHER, PLATE | 2 | 2 | 2 | |
| 12 | 90105-10237 | BOLT, FLANGE | 2 | 2 | 2 | |
| 13 | 90387-19002 | COLLAR | 2 | 2 | 2 | |
| 14 | 90387-19007 | COLLAR | 1 | 1 | 1 | |
| 15 | 8HR-47495-00 | STOPPER 1 | 2 | 2 | 2 | |
| 16 | 97002-06025 | BOLT | 4 | 4 | 4 | |
| 17 | 90201-06081 | WASHER, PLATE | 8 | 8 | 8 | |
| 18 | 95702-06300 | NUT, NYLON | 4 | 4 | 4 | |
| 19 | 8KE-47481-00 | SHOCK ABSORBER 2 | 1 | 1 | | |
| | 8KA-47481-00 | SHOCK ABSORBER 2 | | 1 | | |
| 20 | 90381-14101 | BUSH, SOLID | 4 | 4 | 4 | |
| 21 | 90387-105G5 | COLLAR | 2 | 2 | 2 | |
| 22 | 95812-10045 | BOLT, FLANGE | 1 | 1 | 1 | |
| 23 | 95812-10070 | BOLT, FLANGE | 1 | 1 | 1 | |
| 24 | 95602-10200 | NUT, U FLANGE | 2 | 2 | 2 | |
| 25 | 8KA-47349-00 | BRACKET, ARM PIVOT | 1 | 1 | 1 | |
| 26 | 95812-10020 | BOLT, FLANGE | 2 | 2 | 2 | |



8KA1100-P240

FIG. 24 TRACK SUSPENSION 2

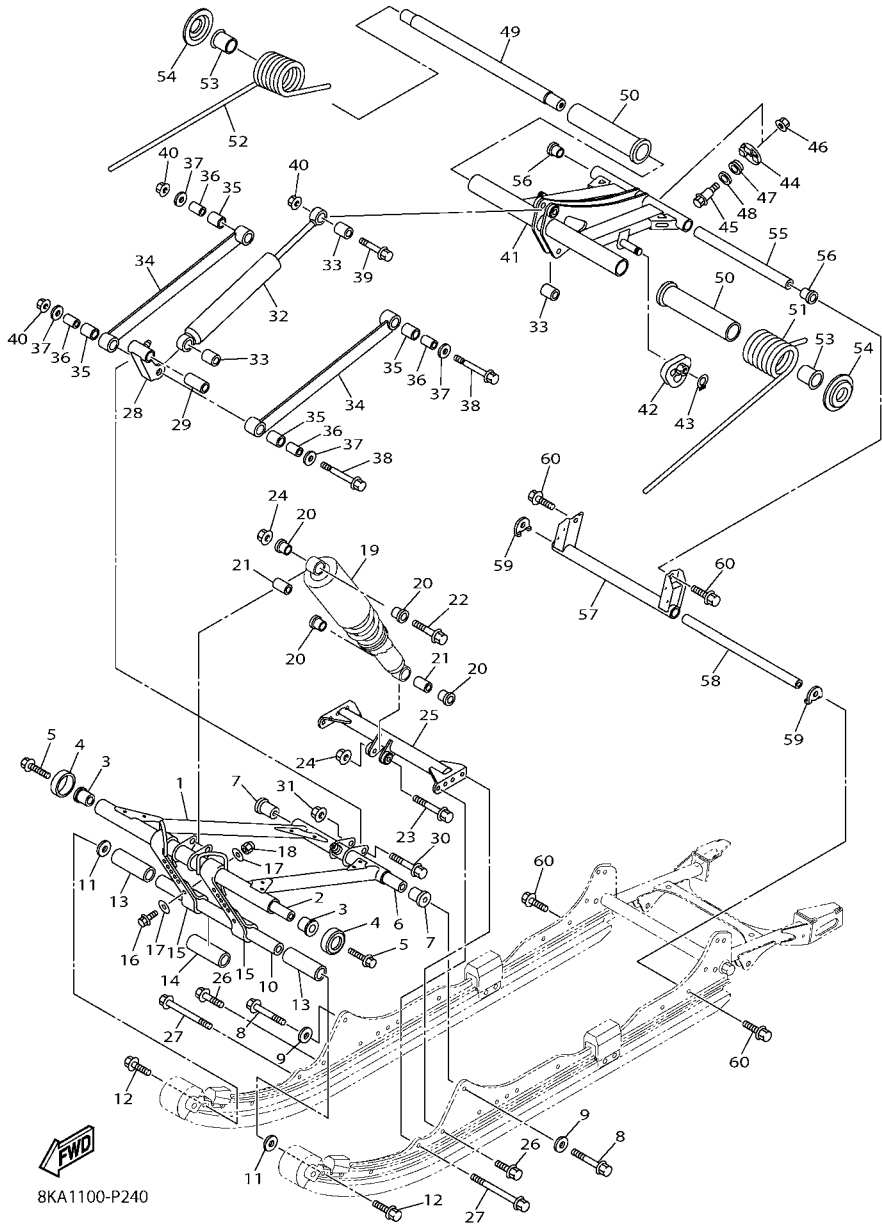
| REF. NO. | PART NO. | DESCRIPTION | EUR | RUS | JPN | REMARKS |
|----------|--------------|-------------------------------|-----|-----|-----|---------|
| 27 | 95812-10080 | BOLT, FLANGE | 2 | 2 | 2 | |
| 28 | 8KA-47416-00 | BRACKET 2 | 1 | 1 | 1 | |
| 29 | 90387-10054 | COLLAR | 1 | 1 | 1 | |
| 30 | 90105-10390 | BOLT, FLANGE | 1 | 1 | 1 | |
| 31 | 95602-10200 | NUT, U FLANGE | 1 | 1 | 1 | |
| 32 | 8KA-47480-00 | SHOCK ABSORBER | 1 | 1 | 1 | |
| 33 | 90387-10023 | COLLAR | 3 | 3 | 3 | |
| 34 | 8KA-47494-00 | ROD, RELAY | 2 | 2 | 2 | |
| 35 | 90386-16001 | BUSH | 4 | 4 | 4 | |
| 36 | 90387-101A1 | COLLAR | 4 | 4 | 4 | |
| 37 | 90201-10043 | WASHER, PLATE | 4 | 4 | 4 | |
| 38 | 90105-10288 | BOLT, FLANGE | 2 | 2 | 2 | |
| 39 | 90105-10390 | BOLT, FLANGE | 1 | 1 | 1 | |
| 40 | 95602-10200 | NUT, U FLANGE | 3 | 3 | 3 | |
| 41 | 8KA-47332-00 | ARM, PIVOT 2 | 1 | 1 | 1 | |
| 42 | 8ES-47447-00 | HOOK 2 | 2 | 2 | 2 | |
| 43 | 99009-14400 | CIRCLIP | 2 | 2 | 2 | |
| 44 | 8KA-47448-00 | HOOK 3 | 1 | 1 | 1 | |
| 45 | 90109-08186 | BOLT | 1 | 1 | 1 | |
| 46 | 95602-08200 | NUT, SELF-LOCKING | 1 | 1 | 1 | |
| 47 | 90480-16501 | GROMMET | 1 | 1 | 1 | |
| 48 | 90201-12047 | WASHER, PLATE | 1 | 1 | 1 | |
| 49 | 8KA-47475-00 | SHAFT 2 | 1 | 1 | 1 | |
| 50 | 8GL-47445-00 | PROTECTOR | 2 | 2 | 2 | |
| 51 | 8KA-47473-00 | SPRING, REAR 1(K=2800NMM/DEG) | 1 | 1 | 1 | |
| 52 | 8KA-47474-00 | SPRING, REAR 1(K=2800NMM/DEG) | 1 | 1 | 1 | |
| 53 | 90381-28108 | BUSH, SOLID | 2 | 2 | 2 | |



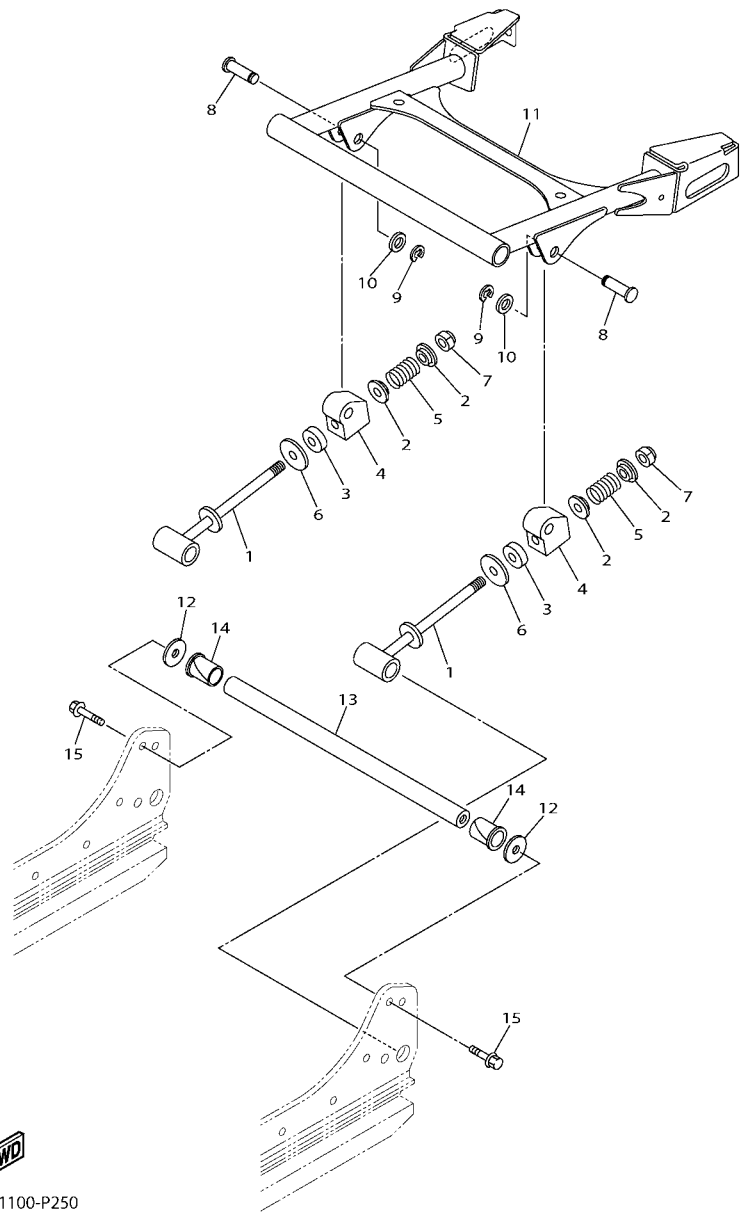
8KA1100-P240

FIG. 24 TRACK SUSPENSION 2

| REF. NO. | PART NO. | DESCRIPTION | EUR | RUS | JPN | REMARKS |
|----------|--------------|--------------|-----|-----|-----|---------|
| 54 | 8ES-47467-00 | PLATE, GUIDE | 2 | 2 | 2 | |
| 55 | 8JD-47488-00 | SHAFT 6 | 1 | 1 | 1 | |
| 56 | 90381-19111 | BUSH, SOLID | 2 | 2 | 2 | |
| 57 | 8JD-47417-00 | BRACKET 3 | 1 | 1 | 1 | |
| 58 | 83R-47485-02 | SHAFT 3 | 1 | 1 | 1 | |
| 59 | 90214-10007 | WASHER, CLAW | 2 | 2 | 2 | |
| 60 | 90105-10237 | BOLT, FLANGE | 4 | 4 | 4 | |
| <hr/> | | | | | | |
| <hr/> | | | | | | |
| <hr/> | | | | | | |
| <hr/> | | | | | | |
| <hr/> | | | | | | |
| <hr/> | | | | | | |
| <hr/> | | | | | | |
| <hr/> | | | | | | |
| <hr/> | | | | | | |



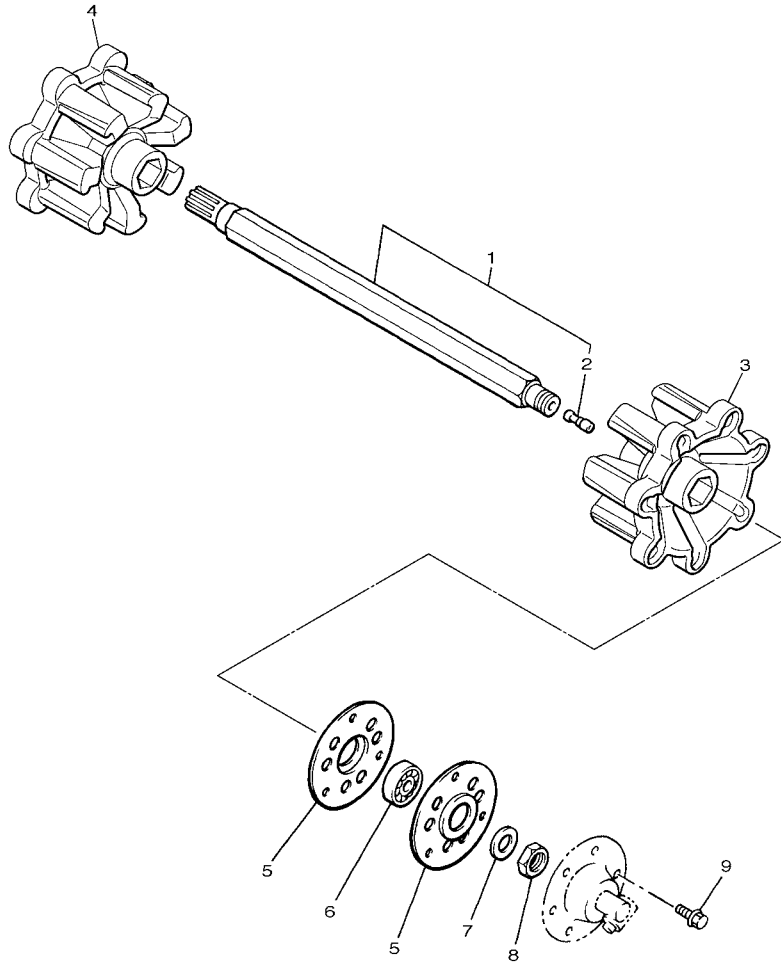
8KA1100-P240



8KA1100-P250

FIG. 25 TRACK SUSPENSION 3

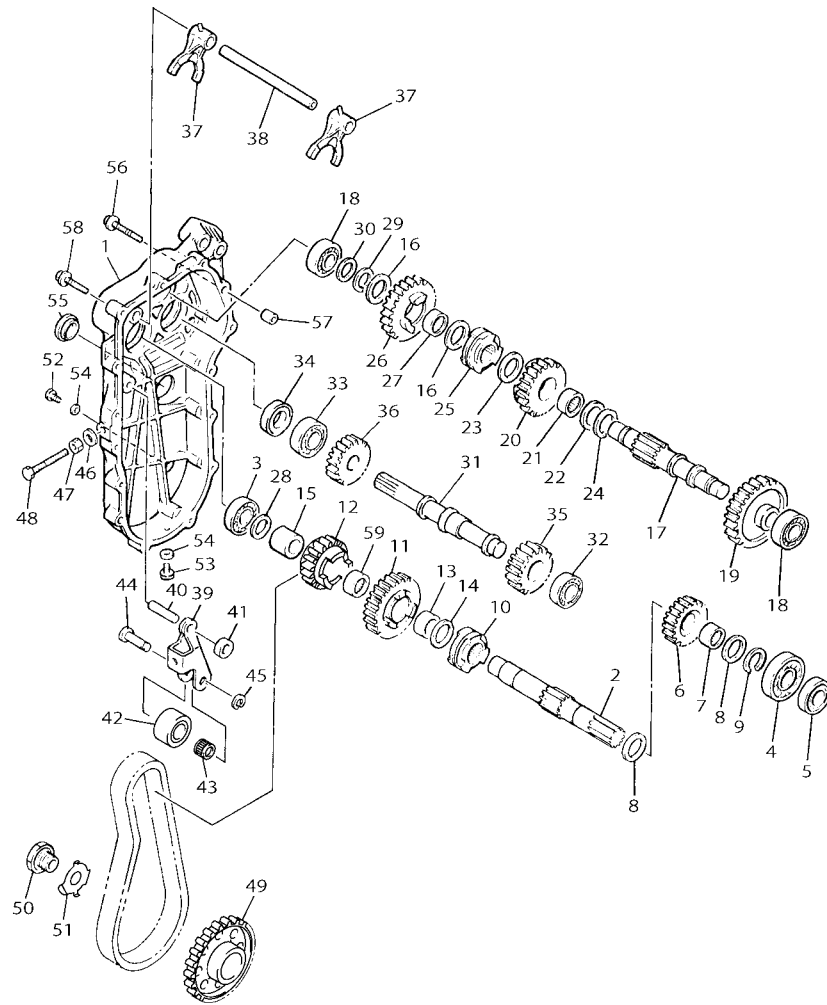
| REF. NO. | PART NO. | DESCRIPTION | EUR | RUS | JPN | REMARKS |
|----------|--------------|---------------------|-----|-----|-----|---------|
| 1 | 83R-47337-10 | SHAFT, PIVOT | 2 | 2 | 2 | |
| 2 | 83R-23768-00 | SEAT, SPRING 1 | 4 | 4 | 4 | |
| 3 | 83R-47335-00 | SPRING | 2 | 2 | 2 | |
| 4 | 8KA-47446-00 | HOOK 1 | 2 | 2 | 2 | |
| 5 | 90501-380A0 | SPRING, COMPRESSION | 2 | 2 | 2 | |
| 6 | 90201-12426 | WASHER, PLATE | 2 | 2 | 2 | |
| 7 | 90185-12058 | NUT, SELF-LOCKING | 2 | 2 | 2 | |
| 8 | 90249-12006 | PIN | 2 | 2 | 2 | |
| 9 | 99009-12400 | CIRCLIP | 2 | 2 | 2 | |
| 10 | 90201-12178 | WASHER, PLATE | 2 | 2 | 2 | |
| 11 | 8KA-47333-00 | ARM, PIVOT 3 | 1 | 1 | 1 | |
| 12 | 90201-10742 | WASHER, PLATE | 2 | 2 | 2 | |
| 13 | 83R-47485-02 | SHAFT 3 | 1 | 1 | 1 | |
| 14 | 90381-19111 | BUSH, SOLID | 2 | 2 | 2 | |
| 15 | 90105-10237 | BOLT, FLANGE | 2 | 2 | 2 | |



8JD1100-M260

FIG. 26 TRACK DRIVE 1

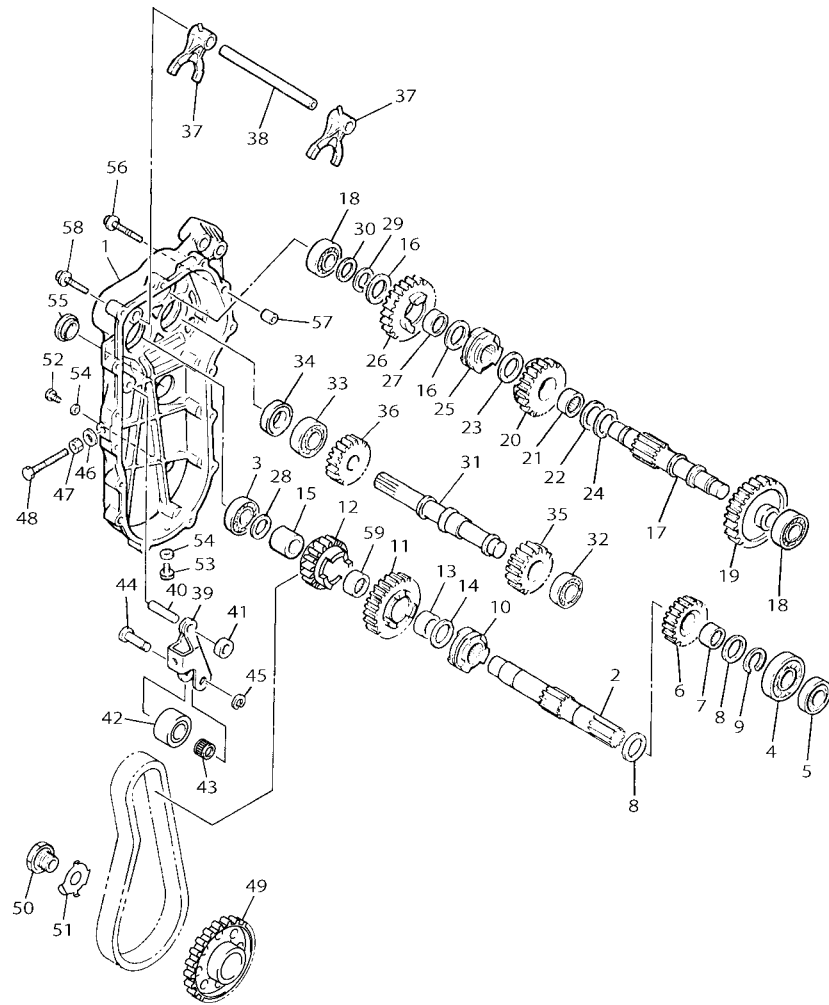
| REF. NO. | PART NO. | DESCRIPTION | EUR | RUS | JPN | REMARKS |
|----------|--------------|------------------------|-----|-----|-----|---------|
| 1 | 83R-W4751-10 | AXLE, FRONT | 1 | 1 | 1 | |
| 2 | 8K4-47577-00 | .CONNECTOR | 1 | 1 | 1 | |
| 3 | 8JD-47531-00 | WHEEL, SPROCKET 1 | 1 | 1 | 1 | |
| 4 | 8JD-47532-00 | WHEEL, SPROCKET 2 | 1 | 1 | 1 | |
| 5 | 83R-47551-00 | HOUSING, FRONT AXLE | 2 | 2 | 2 | |
| 6 | 93306-00507 | BEARING | 1 | 1 | 1 | |
| 7 | 90208-25045 | WASHER, CONICAL SPRING | 1 | 1 | 1 | |
| 8 | 90170-25367 | NUT | 1 | 1 | 1 | |
| 9 | 95822-08014 | BOLT, FLANGE | 3 | 3 | 3 | |
| | | | | | | |
| | | | | | | |
| | | | | | | |
| | | | | | | |
| | | | | | | |
| | | | | | | |
| | | | | | | |
| | | | | | | |
| | | | | | | |



8KA1100-P270

FIG. 27 TRACK DRIVE 2

| REF. NO. | PART NO. | DESCRIPTION | EUR | RUS | JPN | REMARKS |
|----------|--------------|------------------------------|-----|-----|-----|---------|
| 1 | 83R-47543-00 | CAP, HOUSING | 1 | 1 | 1 | |
| 2 | 85R-17421-00 | AXLE, DRIVE | 1 | 1 | 1 | |
| 3 | 93306-20402 | BEARING | 1 | 1 | 1 | |
| 4 | 93306-37206 | BEARING | 1 | 1 | 1 | |
| 5 | 93102-22014 | OIL SEAL | 1 | 1 | 1 | |
| 6 | 83R-17121-00 | GEAR, 2ND PINION (22T) | 1 | 1 | 1 | |
| 7 | 93311-42265 | BEARING | 1 | 1 | 1 | |
| 8 | 90201-224L4 | WASHER, PLATE | 2 | 2 | 2 | |
| 9 | 99009-22400 | CIRCLIP | 1 | 1 | 1 | |
| 10 | 83R-17492-10 | DOG, TRANSMISSION SHIFT | 1 | 1 | 1 | |
| 11 | 8AT-17131-00 | GEAR, 3RD PINION (28T) | 1 | 1 | 1 | |
| 12 | 8KA-17682-00 | SPROCKET, CHAIN DRIVE (18T) | 1 | 1 | 1 | |
| 13 | 93317-32241 | BEARING | 1 | 1 | 1 | |
| 14 | 90201-224L4 | WASHER, PLATE | 1 | 1 | 1 | |
| 15 | 90387-226V7 | COLLAR | 1 | 1 | 1 | |
| 16 | 90201-20792 | WASHER, PLATE | 2 | 2 | 2 | |
| 17 | 83R-17431-00 | AXLE, COUNTER | 1 | 1 | 1 | |
| 18 | 93306-20321 | BEARING | 2 | 2 | 2 | |
| 19 | 8AT-17141-00 | GEAR, 4TH PINION (28T) | 1 | 1 | 1 | |
| 20 | 83R-17151-00 | GEAR, 5TH PINION (22T) | 1 | 1 | 1 | |
| 21 | 93317-32241 | BEARING | 1 | 1 | 1 | |
| 22 | 90201-224L4 | WASHER, PLATE | 1 | 1 | 1 | |
| 23 | 90201-225L2 | WASHER, PLATE | 1 | 1 | 1 | |
| 24 | 99009-22400 | CIRCLIP | 1 | 1 | 1 | |
| 25 | 83R-17492-10 | DOG, TRANSMISSION SHIFT | 1 | 1 | 1 | |
| 26 | 83R-17143-00 | GEAR, REVERSE PINION 1 (27T) | 1 | 1 | 1 | |
| 27 | 93317-22021 | BEARING | 1 | 1 | 1 | |

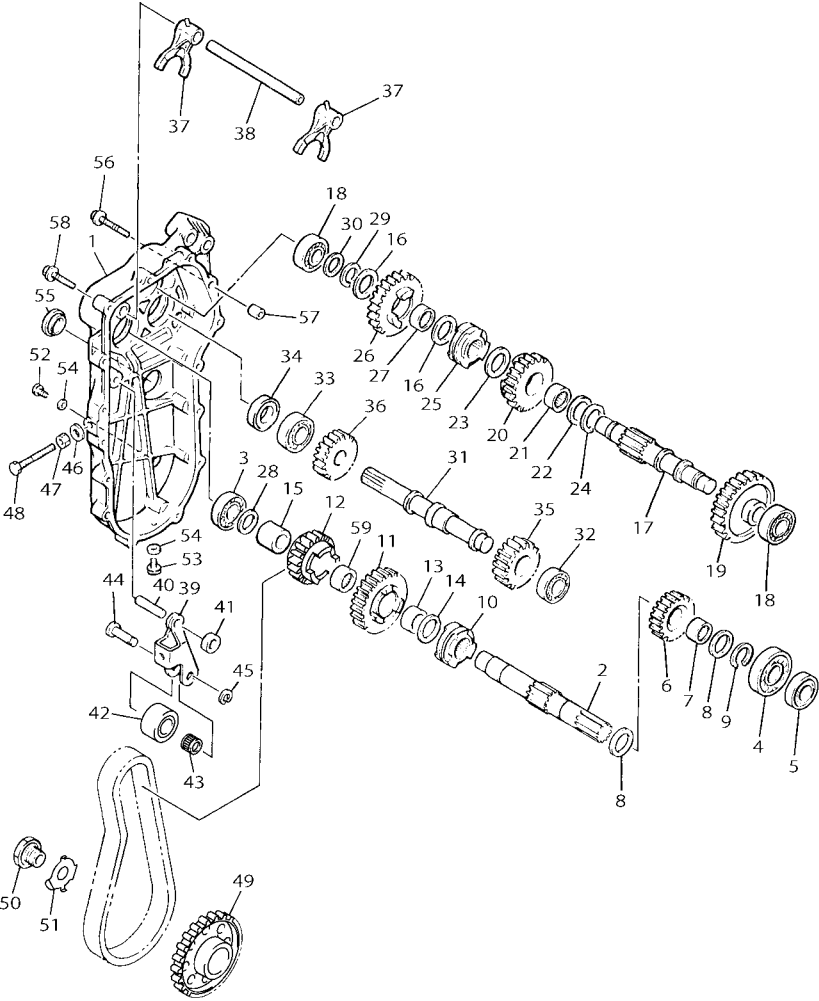


8KA1100-P270

FIG. 27 TRACK DRIVE 2

| REF. NO. | PART NO. | DESCRIPTION | EUR | RUS | JPN | REMARKS |
|----------|--------------|------------------------------|-----|-----|-----|---------|
| 28 | 90201-20792 | WASHER, PLATE | 1 | 1 | 1 | |
| 29 | 99009-20400 | CIRCLIP | 1 | 1 | 1 | |
| 30 | 90201-171J5 | WASHER, PLAIN | 1 | 1 | 1 | |
| 31 | 83R-17432-01 | AXLE, IDLE | 1 | 1 | 1 | |
| 32 | 93306-20321 | BEARING | 1 | 1 | 1 | |
| 33 | 93306-20402 | BEARING | 1 | 1 | 1 | |
| 34 | 93102-20010 | OIL SEAL | 1 | 1 | 1 | |
| 35 | 83R-17243-00 | GEAR, REVERSE WHEEL 1 (19T) | 1 | 1 | 1 | |
| 36 | 83R-17153-00 | GEAR, REVERSE PINION 2 (20T) | 1 | 1 | 1 | |
| 37 | 83R-18511-00 | FORK, SHIFT 1 | 2 | 2 | 2 | |
| 38 | 83R-18531-00 | BAR, SHIFT FORK GUIDE 1 | 1 | 1 | 1 | |
| 39 | 83R-47613-00 | HOLDER | 1 | 1 | 1 | |
| 40 | 93612-44229 | PIN, DOWEL | 1 | 1 | 1 | |
| 41 | 90387-121E8 | COLLAR | 1 | 1 | 1 | |
| 42 | 8FA-47612-00 | WHEEL | 1 | 1 | 1 | |
| 43 | 93310-212R6 | BEARING | 1 | 1 | 1 | |
| 44 | 90249-12216 | PIN | 1 | 1 | 1 | |
| 45 | 99009-12400 | CIRCLIP | 1 | 1 | 1 | |
| 46 | 90210-10004 | WASHER, SEAL | 1 | 1 | 1 | |
| 47 | 95302-10700 | NUT | 1 | 1 | 1 | |
| 48 | 90101-10357 | BOLT | 1 | 1 | 1 | |
| 49 | 8KA-47548-00 | SPROCKET, CHAIN DRIVE (38T) | 1 | 1 | 1 | |
| 50 | 90101-27001 | BOLT | 1 | 1 | 1 | |
| 51 | 90215-27004 | WASHER, LOCK | 1 | 1 | 1 | |
| 52 | 97007-06010 | BOLT | 1 | 1 | 1 | |
| 53 | 98907-06008 | SCREW, BIND | 1 | 1 | 1 | |
| 54 | 90430-06016 | GASKET | 2 | 2 | 2 | |

FIG. 27 TRACK DRIVE 2



8KA1100-P270

| REF. NO. | PART NO. | DESCRIPTION | EUR | RUS | JPN | REMARKS |
|----------|-------------|--------------|-----|-----|-----|---------|
| 55 | 90338-30219 | PLUG | 1 | 1 | 1 | |
| 56 | 95812-06045 | BOLT, FLANGE | 2 | 2 | 2 | |
| 57 | 99530-10114 | PIN, DOWEL | 2 | 2 | 2 | |
| 58 | 95812-06035 | BOLT, FLANGE | 13 | 13 | 13 | |
| 59 | 93317-222B2 | BEARING | 1 | 1 | 1 | |
| ----- | | | | | | |
| ----- | | | | | | |
| ----- | | | | | | |
| ----- | | | | | | |
| ----- | | | | | | |
| ----- | | | | | | |
| ----- | | | | | | |
| ----- | | | | | | |
| ----- | | | | | | |
| ----- | | | | | | |
| ----- | | | | | | |



8KA1100-P280

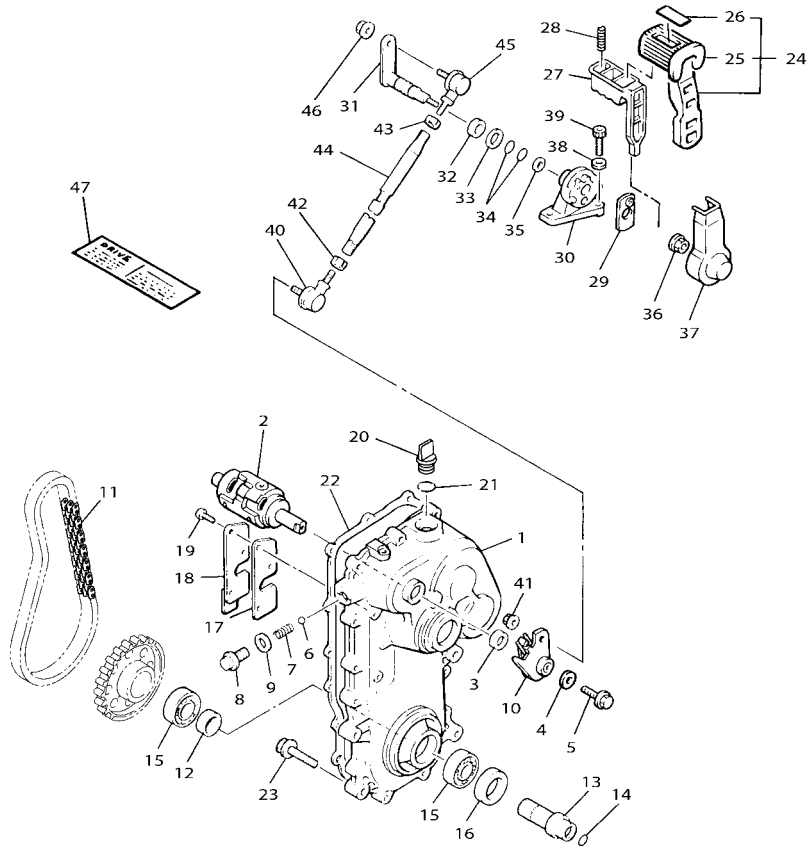
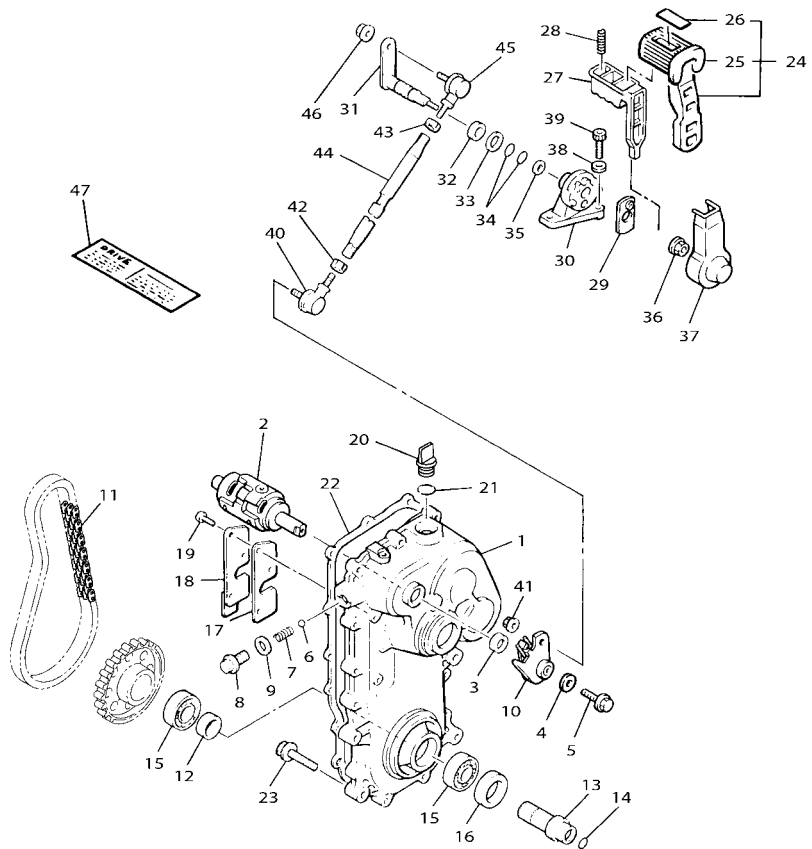


FIG. 28 TRACK DRIVE 3

| REF. NO. | PART NO. | DESCRIPTION | EUR | RUS | JPN | REMARKS |
|----------|--------------|---------------------|-----|-----|-----|---------|
| 1 | 87R-47541-00 | HOUSING, CHAIN | 1 | 1 | 1 | |
| 2 | 89N-18540-00 | SHIFT CAM ASSY | 1 | 1 | 1 | |
| 3 | 93102-15212 | OIL SEAL | 1 | 1 | 1 | |
| 4 | 90201-06072 | WASHER, PLATE | 1 | 1 | 1 | |
| 5 | 90105-06405 | BOLT, FLANGE | 1 | 1 | 1 | |
| 6 | 93503-08007 | BALL | 1 | 1 | 1 | |
| 7 | 90501-147A6 | SPRING, COMPRESSION | 1 | 1 | 1 | |
| 8 | 90105-14003 | BOLT, FLANGE | 1 | 1 | 1 | |
| 9 | 90430-14194 | GASKET | 1 | 1 | 1 | |
| 10 | 89N-18130-01 | SHIFT SHAFT ASSY | 1 | 1 | 1 | |
| 11 | 94591-63070 | CHAIN | 1 | 1 | 1 | |
| 12 | 90387-405T8 | COLLAR | 1 | 1 | 1 | |
| 13 | 83R-47571-00 | JOURNAL 1 | 1 | 1 | 1 | |
| 14 | 93210-28763 | O-RING | 1 | 1 | 1 | |
| 15 | 93306-90802 | BEARING | 2 | 2 | 2 | |
| 16 | 93102-46394 | OIL SEAL | 1 | 1 | 1 | |
| 17 | 85R-47544-01 | GASKET | 1 | 1 | 1 | |
| 18 | 88N-47591-00 | PLATE | 1 | 1 | 1 | |
| 19 | 90154-06050 | SCREW, BINDING | 3 | 3 | 3 | |
| 20 | 3Y1-15363-10 | PLUG, OIL | 1 | 1 | 1 | |
| 21 | 93210-19123 | O-RING | 1 | 1 | 1 | |
| 22 | 85R-47592-00 | GASKET | 1 | 1 | 1 | |
| 23 | 95812-08040 | BOLT, FLANGE | 4 | 4 | 4 | |
| 24 | 83R-18150-00 | SHIFT LEVER ASSY | 1 | 1 | 1 | |
| 25 | 52G-18113-00 | .COVER, SHIFT PEDAL | 1 | 1 | 1 | |
| 26 | 83R-1815A-00 | .LABEL | 1 | 1 | 1 | |
| 27 | 59V-18174-00 | KNOB, SHIFT LEVER | 1 | 1 | 1 | |

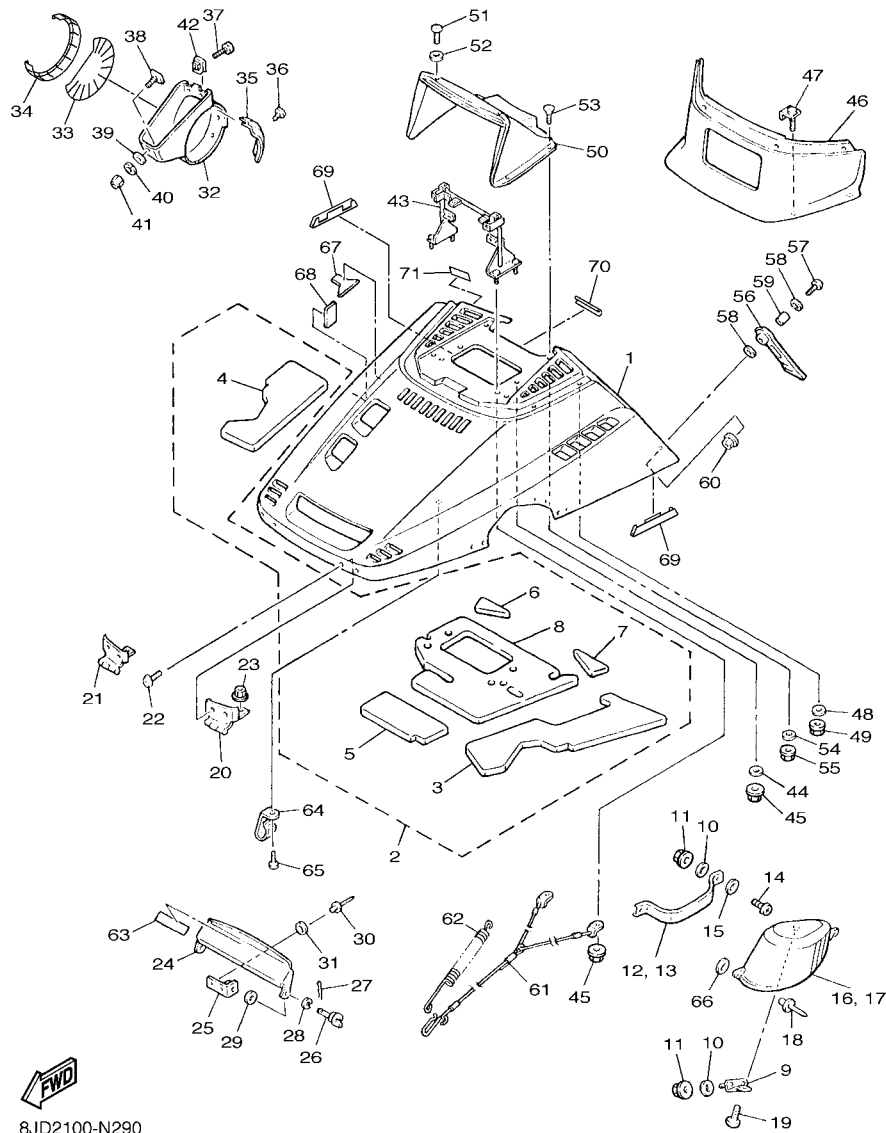
FIG. 28 TRACK DRIVE 3



| REF. NO. | PART NO. | DESCRIPTION | EUR | RUS | JPN | REMARKS |
|----------|--------------|----------------------------|-----|-----|-----|---------|
| 28 | 90501-101A7 | SPRING, COMPRESSION | 1 | 1 | 1 | |
| 29 | 59V-18561-00 | PLATE, SIDE 1 | 1 | 1 | 1 | |
| 30 | 83R-18153-00 | GUIDE, SHIFT RETURN SPRING | 1 | 1 | 1 | |
| 31 | 83R-18341-00 | SHAFT, RINK | 1 | 1 | 1 | |
| 32 | 90387-145T7 | COLLAR | 1 | 1 | 1 | |
| 33 | 90201-144J2 | WASHER, PLATE | 1 | 1 | 1 | |
| 34 | 93210-10010 | O-RING | 2 | 2 | 2 | |
| 35 | 90201-064J1 | WASHER, PLATE | 1 | 1 | 1 | |
| 36 | 95702-06500 | NUT, FLANGE | 1 | 1 | 1 | |
| 37 | 59V-18433-00 | COVER, SHIFT SPRING | 1 | 1 | 1 | |
| 38 | 92902-06600 | WASHER, PLATE | 3 | 3 | 3 | |
| 39 | 91312-06025 | BOLT | 3 | 3 | 3 | |
| 40 | 3X3-18157-10 | JOINT 2 | 1 | 1 | 1 | |
| 41 | 95702-06500 | NUT, FLANGE | 1 | 1 | 1 | |
| 42 | 95312-08600 | NUT | 1 | 1 | 1 | |
| 43 | 90170-08261 | NUT | 1 | 1 | 1 | |
| 44 | 83R-18116-00 | JOINT, ROD 1 | 1 | 1 | 1 | |
| 45 | 3X3-18156-10 | JOINT 1 | 1 | 1 | 1 | |
| 46 | 95702-06500 | NUT, FLANGE | 1 | 1 | 1 | |
| 47 | 8JD-47578-00 | LABEL 1 | 1 | 1 | | |



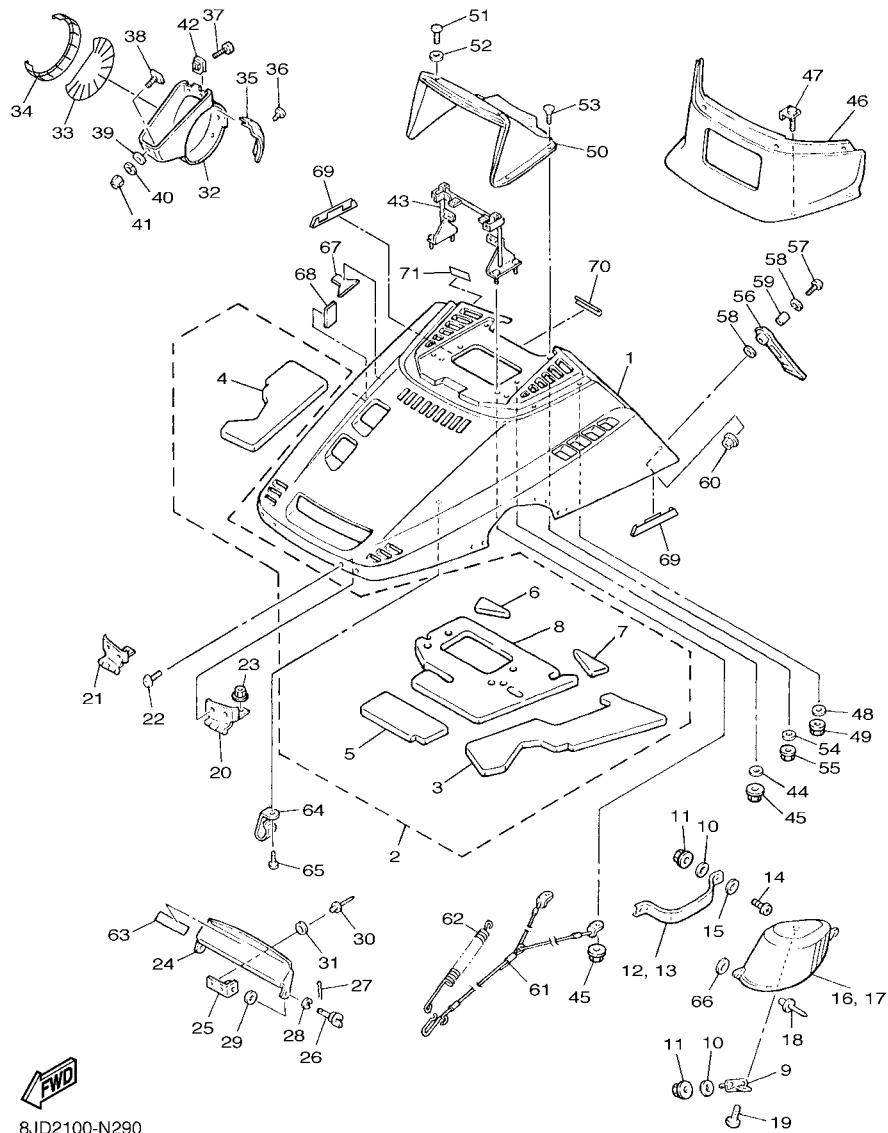
8KA1100-P280



8JD2100-N290

FIG. 29 SHROUD

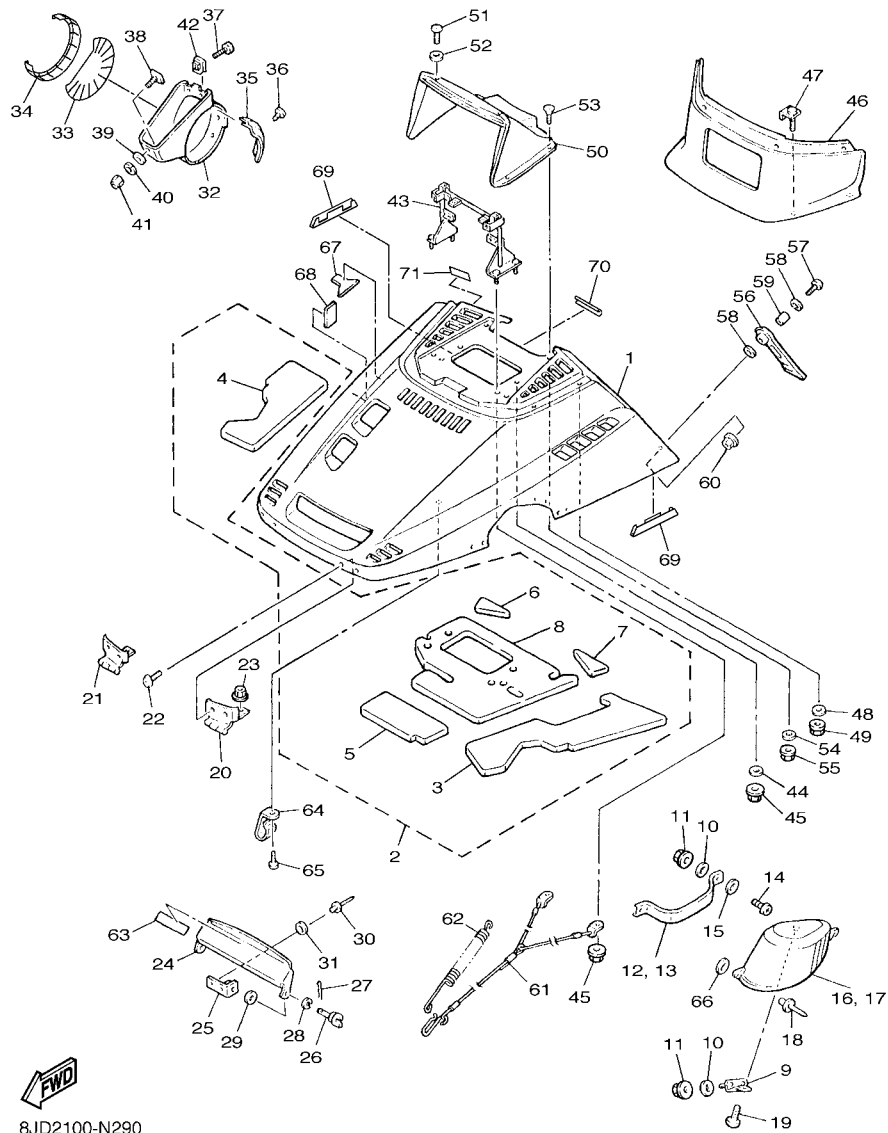
| REF. NO. | PART NO. | DESCRIPTION | EUR | RUS | JPN | REMARKS |
|----------|-----------------|-------------------------------|-----|-----|-----|------------|
| 1 | 8AC-77111-B0-P2 | SHROUD | 1 | 1 | 1 | UR FOR SMX |
| | 8AC-77111-B0-P5 | SHROUD | 1 | 1 | 1 | UR FOR S3 |
| 2 | 8JD-W7726-00 | LINING SET | 1 | 1 | 1 | |
| 3 | 8AT-77261-00 | .LINING, SHROUD 1 | 1 | 1 | 1 | |
| 4 | 8JD-77268-00 | .LINING, SHROUD 8 | 1 | 1 | 1 | |
| 5 | 8AT-77264-00 | .LINING, SHROUD 4 | 1 | 1 | 1 | |
| 6 | 8AT-77265-00 | .LINING, SHROUD 5 | 1 | 1 | 1 | |
| 7 | 8AT-77266-00 | .LINING, SHROUD 6 | 1 | 1 | 1 | |
| 8 | 8AT-77267-00 | .LINING, SHROUD 7 | 1 | 1 | 1 | |
| 9 | 8AT-77125-00 | STAY 1 | 2 | 2 | 2 | |
| 10 | 92902-06200 | WASHER | 8 | 8 | 8 | |
| 11 | 95702-06300 | NUT, NYLON | 8 | 8 | 8 | |
| 12 | 8AT-77153-00 | PLATE, BACK UP 1 | 1 | 1 | 1 | |
| 13 | 8AT-77154-00 | PLATE, BACK UP 2 | 1 | 1 | 1 | |
| 14 | 92502-06020 | SCREW, PAN HEAD | 4 | 4 | 4 | |
| 15 | 92902-06600 | WASHER, PLATE | 4 | 4 | 4 | |
| 16 | 8AT-77121-00 | HOOD 3 (L.H) | 1 | 1 | 1 | |
| 17 | 8AT-77122-00 | HOOD 4 (R.H) | 1 | 1 | 1 | |
| 18 | 90267-48018 | RIVET, BLIND (4.8X18.6 BLACK) | 4 | 4 | 4 | |
| 19 | 97702-50016 | SCREW, TAPPING | 2 | 2 | 2 | |
| 20 | 83R-77140-01 | HINGE ASSY | 1 | 1 | 1 | |
| 21 | 83R-7714A-01 | HINGE ASSY 2 | 1 | 1 | 1 | |
| 22 | 98907-06014 | SCREW, BIND | 4 | 4 | 4 | |
| 23 | 95702-06300 | NUT, NYLON | 4 | 4 | 4 | |
| 24 | 83R-77185-00 | PLATE 1 | 1 | 1 | 1 | |
| 25 | 83R-77125-00 | STAY 1 | 2 | 2 | 2 | |
| 26 | 90122-05022 | BOLT, WING | 2 | 2 | 2 | |



8JD2100-N290

FIG. 29 SHROUD

| REF. NO. | PART NO. | DESCRIPTION | EUR | RUS | JPN | REMARKS |
|----------|--------------|-------------------------|-----|-----|-----|------------|
| 27 | 90468-10003 | CLIP | 2 | 2 | 2 | |
| 28 | 92907-05100 | WASHER, SPRING | 2 | 2 | 2 | |
| 29 | 90202-05088 | WASHER, PLATE | 2 | 2 | 2 | |
| 30 | 90267-48079 | RIVET, BLIND (4.8X16.1) | 4 | 4 | 4 | |
| 31 | 90201-043H7 | WASHER, PLATE | 4 | 4 | 4 | |
| 32 | 83R-77194-00 | DUCT | 1 | 1 | 1 | |
| 33 | 8JD-7717E-00 | TAPE 1 | 1 | 1 | 1 | |
| 34 | 8JD-7717F-00 | TAPE 2 | 1 | 1 | 1 | |
| 35 | 83R-77515-00 | BUSH, RUBBER 1 | 1 | 1 | 1 | |
| 36 | 90269-05039 | RIVET | 3 | 3 | 3 | |
| 37 | 98902-06014 | SCREW, BIND | 2 | 2 | 2 | |
| 38 | 83R-77186-00 | PLATE 2 | 1 | 1 | 1 | |
| 39 | 90201-06078 | WASHER, PLATE | 1 | 1 | 1 | |
| 40 | 92902-06100 | WASHER, SPRING | 1 | 1 | 1 | |
| 41 | 95302-06600 | NUT | 1 | 1 | 1 | |
| 42 | 83R-77144-00 | NUT | 2 | 2 | 2 | |
| 43 | 83R-77241-00 | SRAY,FAIRING | 1 | 1 | 1 | |
| 44 | 90201-06078 | WASHER, PLATE | 3 | 3 | 3 | |
| 45 | 95702-06300 | NUT, NYLON | 4 | 4 | 4 | |
| 46 | 8AC-77231-40 | FAIRING | 1 | 1 | 1 | UR FOR SMX |
| | 8AC-77231-80 | FAIRING | 1 | 1 | 1 | UR FOR S3 |
| 47 | 83R-77212-00 | BOLT, WIND SHIELD | 4 | 4 | 4 | |
| 48 | 90201-06078 | WASHER, PLATE | 2 | 2 | 2 | |
| 49 | 95702-06300 | NUT, NYLON | 4 | 4 | 4 | |
| 50 | 86V-77251-01 | COVER, HEADLIGHT | 1 | 1 | | |
| | 87R-77251-01 | COVER, HEADLIGHT | | | 1 | |
| 51 | 98907-05012 | SCREW, BIND | 2 | 2 | 2 | |



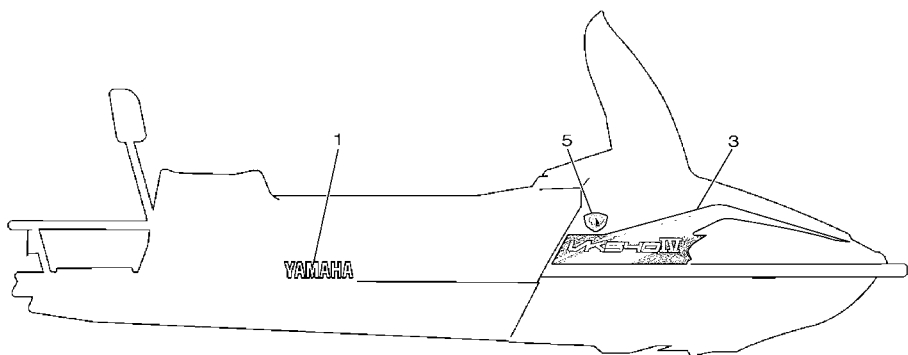
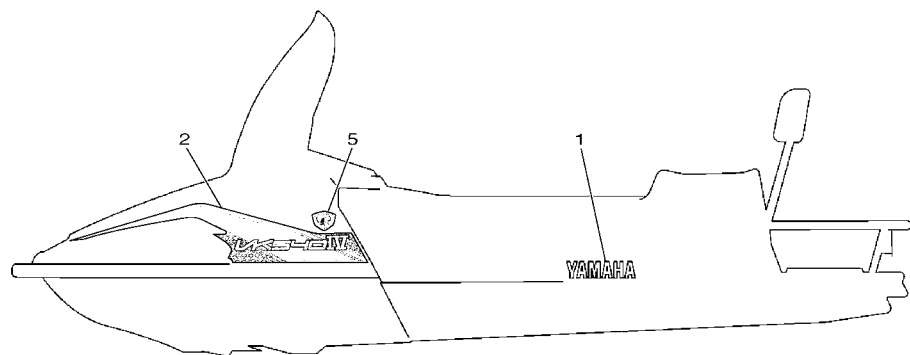
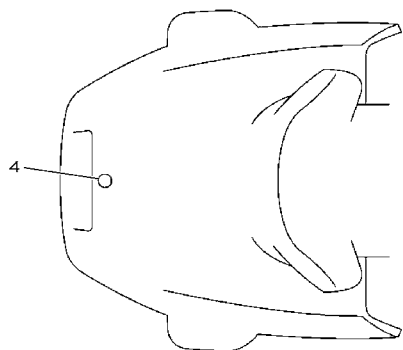
8JD2100-N290

FIG. 29 SHROUD

| REF. NO. | PART NO. | DESCRIPTION | EUR | RUS | JPN | REMARKS |
|----------|--------------|------------------|-----|-----|-----|---------|
| 52 | 90201-06042 | WASHER, PLATE | 2 | 2 | 2 | |
| 53 | 98707-05016 | SCREW, FLAT HEAD | 4 | 4 | 4 | |
| 54 | 90201-05029 | WASHER, PLATE | 4 | 4 | 4 | |
| 55 | 95702-05300 | NUT, NYLON | 4 | 4 | 4 | |
| 56 | 8JN-77171-00 | BODY, LATCH 1 | 2 | 2 | 2 | |
| 57 | 98907-06025 | SCREW, BIND | 2 | 2 | 2 | |
| 58 | 90201-06557 | WASHER, PLATE | 4 | 4 | 4 | |
| 59 | 90387-06241 | COLLAR | 2 | 2 | 2 | |
| 60 | 95702-06500 | NUT, FLANGE | 2 | 2 | 2 | |
| 61 | 83R-77118-01 | STOPPER, SHROUD | 1 | 1 | 1 | |
| 62 | 838-77159-00 | CLAMP, ROD | 1 | 1 | 1 | |
| 63 | 8AC-2815P-S0 | LABEL, NOTICE 1 | 1 | 1 | | |
| | 8AC-2815P-J0 | LABEL, NOTICE 1 | | | 1 | |
| 64 | 90461-08113 | CLAMP | 3 | 3 | 3 | |
| 65 | 97702-50016 | SCREW, TAPPING | 2 | 2 | 2 | |
| 66 | 90201-043H7 | WASHER, PLATE | 4 | 4 | 4 | |
| 67 | 8AT-2199H-00 | SHIELD, HEAT | 1 | 1 | 1 | |
| 68 | 8AT-77196-00 | DAMPER, SHROUD | 1 | 1 | 1 | |
| 69 | 8JN-77196-00 | DAMPER, SHROUD | 2 | 2 | 2 | |
| 70 | 8JN-77588-00 | DAMPER | 1 | 1 | 1 | |
| 71 | 8JN-77764-R0 | LABEL, WARNING 4 | | 1 | | |

FIG. 30 EMBLEM

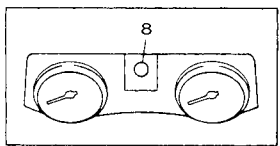
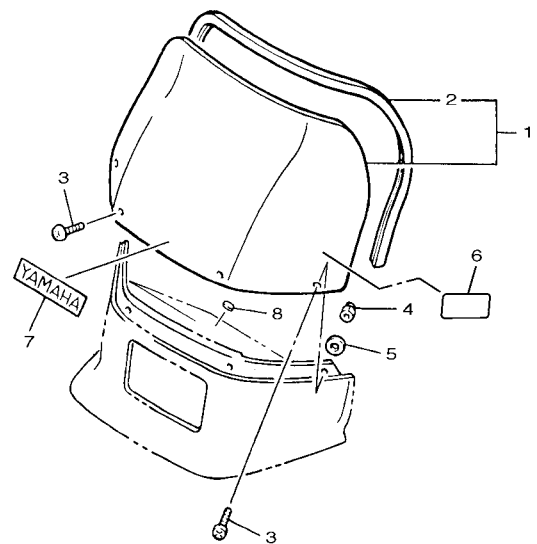
| REF. NO. | PART NO. | DESCRIPTION | EUR | RUS | JPN | REMARKS |
|----------|--------------|----------------|-----|-----|-----|------------|
| 1 | 99246-00280 | EMBLEM, YAMAHA | 2 | 2 | 2 | |
| 2 | 8AC-7711A-50 | GRAPHIC 1 | 1 | 1 | 1 | UR FOR SMX |
| | 8AC-7711A-70 | GRAPHIC 1 | 1 | 1 | 1 | UR FOR S3 |
| 3 | 8AC-7711B-50 | GRAPHIC 2 | 1 | 1 | 1 | UR FOR SMX |
| | 8AC-7711B-70 | GRAPHIC 2 | 1 | 1 | 1 | UR FOR S3 |
| 4 | 8AC-2414B-01 | EMBLEM | 1 | 1 | 1 | |
| 5 | 8JE-7715A-00 | EMBLEM 3D | 2 | 2 | 2 | |



8JD1100-M300

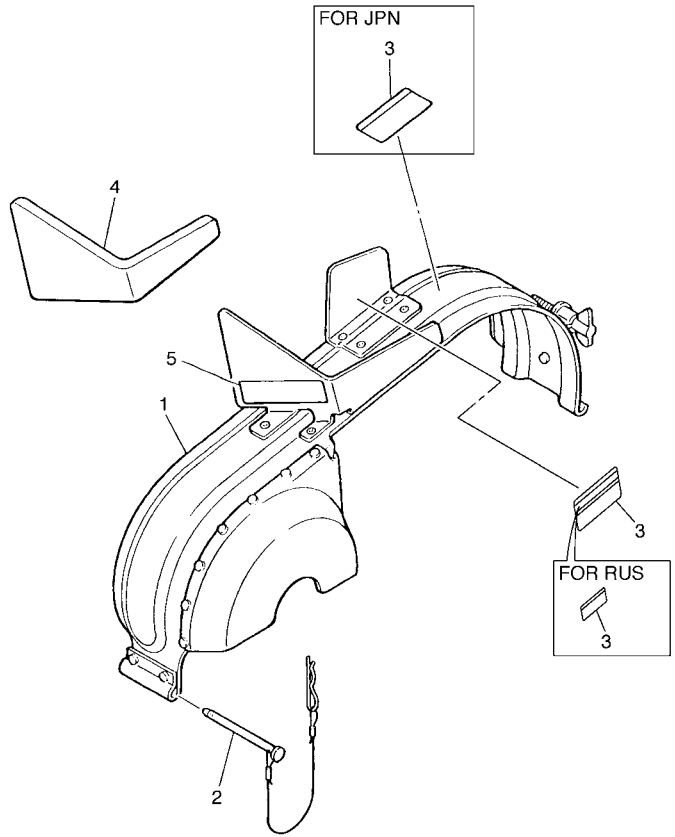
FIG. 31 WINDSHIELD

| REF. NO. | PART NO. | DESCRIPTION | EUR | RUS | JPN | REMARKS |
|----------|--------------|----------------------------|-----|-----|-----|---------|
| 1 | 86V-77210-10 | WINDSHIELD COMP. | 1 | 1 | 1 | |
| 2 | 87S-77213-10 | .TRIM, UPPER | 1 | 1 | 1 | |
| 3 | 90154-05047 | SCREW, BINDING | 4 | 4 | 4 | |
| 4 | 90176-05059 | NUT, CROWN | 2 | 2 | 2 | |
| 5 | 90201-05033 | WASHER, PLATE | 2 | 2 | 2 | |
| 6 | 4B5-2815K-20 | LABEL, NOTICE WINDSHIELD 1 | | | 1 | |
| 7 | 99246-00120 | EMBLEM, YAMAHA | 1 | 1 | 1 | |
| 8 | 4XV-2341B-00 | EMBLEM | 1 | 1 | 1 | |
| | | | | | | |
| | | | | | | |
| | | | | | | |
| | | | | | | |
| | | | | | | |
| | | | | | | |
| | | | | | | |
| | | | | | | |
| | | | | | | |
| | | | | | | |
| | | | | | | |
| | | | | | | |
| | | | | | | |
| | | | | | | |
| | | | | | | |
| | | | | | | |
| | | | | | | |



8JD1100-M310

FIG. 32 GUARD & LUGGAGE BOX



| REF. NO. | PART NO. | DESCRIPTION | EUR | RUS | JPN | REMARKS |
|----------|--------------|------------------|-----|-----|-----|---------|
| 1 | 8AT-77311-00 | GUARD, DRIVE | 1 | 1 | 1 | |
| 2 | 83R-77327-00 | SHAFT | 1 | 1 | 1 | |
| 3 | 86D-77762-00 | LABEL, WARNING 2 | 1 | | | |
| | 8AC-77762-R1 | LABEL, WARNING 2 | | 1 | | |
| | 8BD-77762-21 | LABEL, WARNING 2 | | | 1 | |
| 4 | 8AT-77319-00 | DAMPER 1 | 1 | 1 | 1 | |
| 5 | 8JD-1417E-00 | LABEL, CAUTION | 1 | 1 | | |
| | | | | | | |
| | | | | | | |
| | | | | | | |
| | | | | | | |
| | | | | | | |
| | | | | | | |
| | | | | | | |
| | | | | | | |
| | | | | | | |
| | | | | | | |
| | | | | | | |
| | | | | | | |


8ACK100-F320

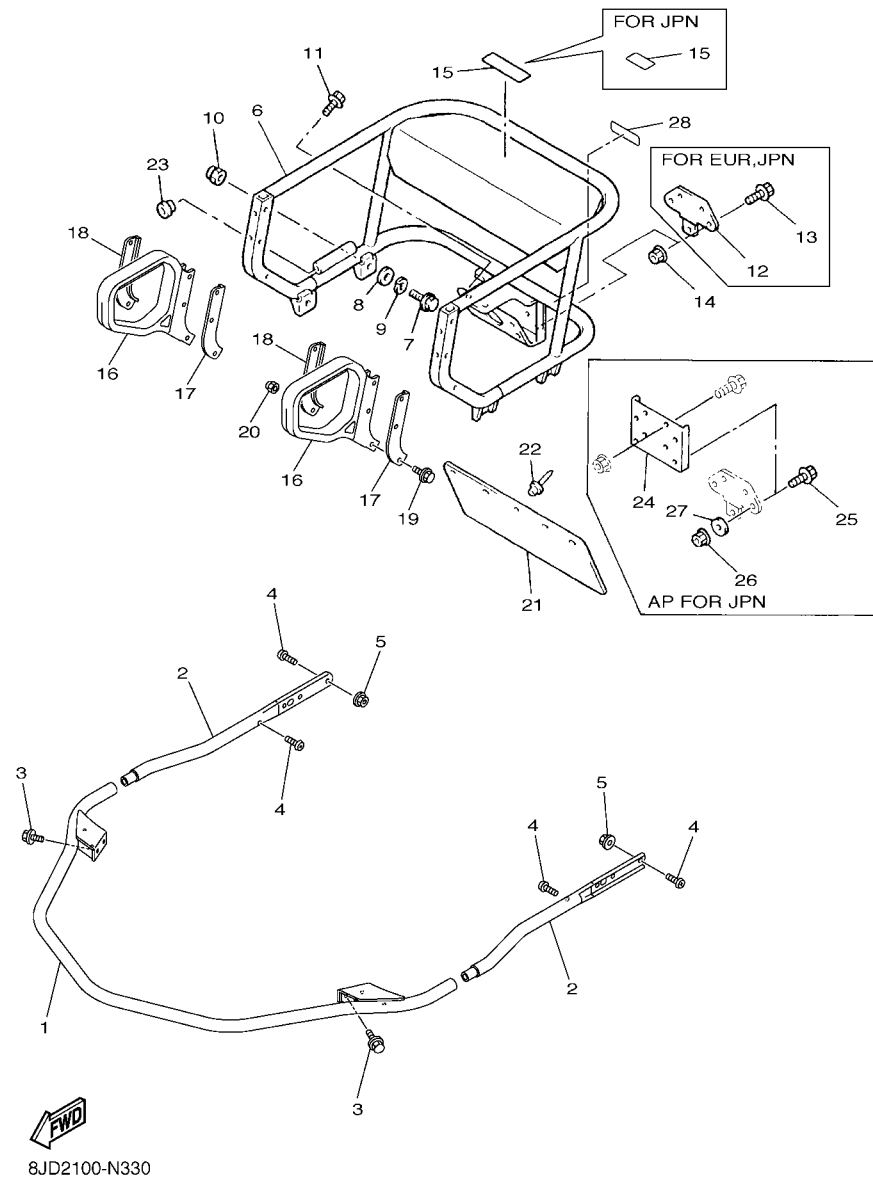
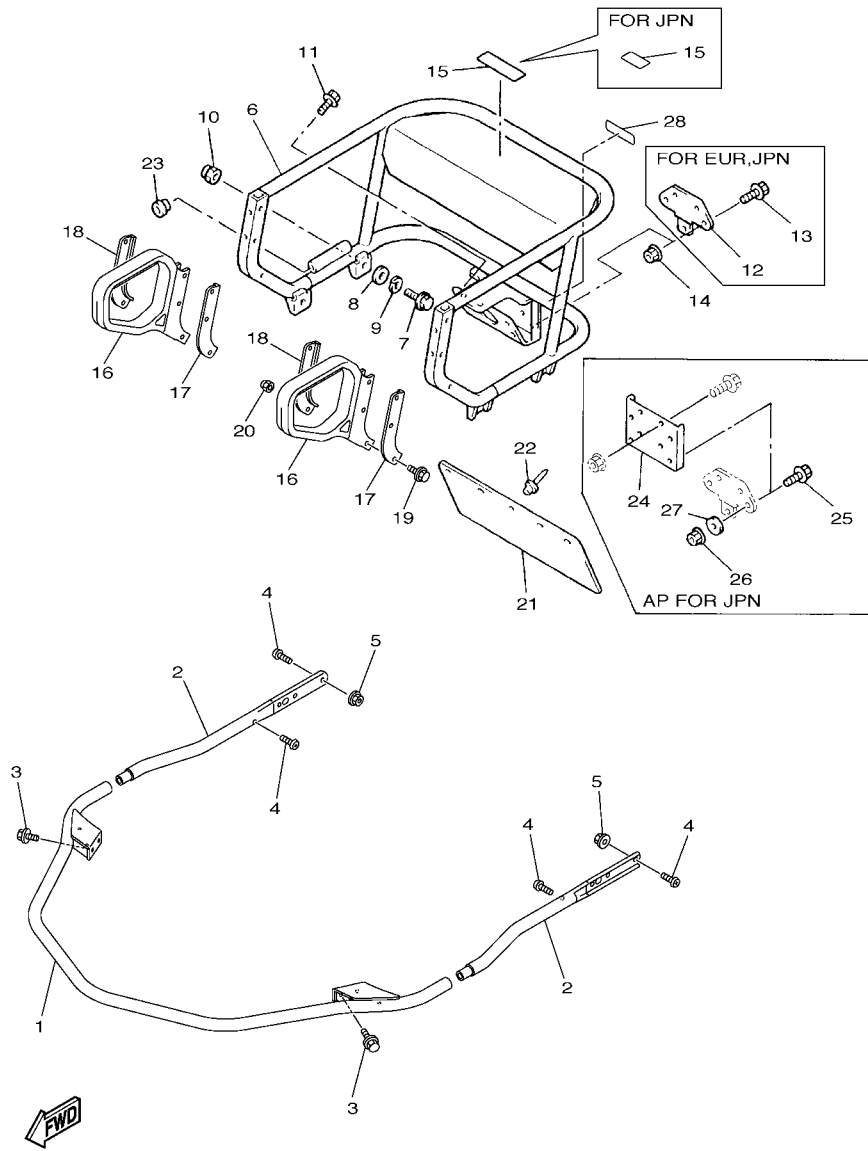


FIG. 33 BUMPER

| REF. NO. | PART NO. | DESCRIPTION | EUR | RUS | JPN | REMARKS |
|----------|--------------|-----------------------------|-----|-----|-----|---------|
| 1 | 8JN-77511-00 | BUMPER, FRONT 1 | 1 | 1 | 1 | |
| 2 | 8JN-77513-00 | BUMPER, FRONT 3 | 2 | 2 | 2 | |
| 3 | 90105-08408 | BOLT, FLANGE | 4 | 4 | 4 | |
| 4 | 90149-08230 | SCREW | 7 | 7 | 7 | |
| 5 | 95702-08500 | NUT, FLANGE | 1 | 1 | 1 | |
| 6 | 8AC-77540-00 | REAR BUMPER COMP. | 1 | 1 | 1 | |
| 7 | 95822-08014 | BOLT, FLANGE | 4 | 4 | 4 | |
| 8 | 92907-08200 | WASHER | 4 | 4 | 4 | |
| 9 | 92907-08100 | WASHER, SPRING | 4 | 4 | 4 | |
| 10 | 95307-08800 | NUT | 4 | 4 | 4 | |
| 11 | 95827-08020 | BOLT, FLANGE | 6 | 6 | 6 | |
| 12 | 84R-77592-00 | BRACKET, HITCH 2 | 1 | | 1 | |
| 13 | 95827-08020 | BOLT, FLANGE | 4 | | 4 | |
| 14 | 95602-08200 | NUT, SELF-LOCKING | 4 | 4 | 4 | |
| 15 | 8FM-24897-11 | EMBLEM | 1 | 1 | | |
| | 4KN-24877-C0 | LABEL, CAUTION | | | 1 | |
| 16 | 8JD-77571-00 | GRIP, ASSIST 1 | 2 | 2 | 2 | |
| 17 | 8JD-77531-00 | BRACKET, FRONT | 2 | 2 | 2 | |
| 18 | 8JD-77532-00 | BRACKET, FRONT (R.H) | 2 | 2 | 2 | |
| 19 | 95807-08045 | BOLT, FLANGE | 6 | 6 | 6 | |
| 20 | 90176-08063 | NUT, CROWN | 6 | 6 | 6 | |
| 21 | 83R-77595-00 | FLAP | 1 | 1 | 1 | |
| 22 | 90267-48086 | RIVET, BLIND (4.8X19 BLACK) | 5 | 5 | 5 | |
| 23 | 90480-15268 | GROMMET | 2 | 2 | 2 | |
| 24 | 80M-77591-00 | BRACKET, HITCH 1 | | | 1 | AP |
| 25 | 95827-08025 | BOLT, FLANGE | | | 4 | AP |
| 26 | 95717-08300 | NUT, FLANGE | | | 4 | AP |

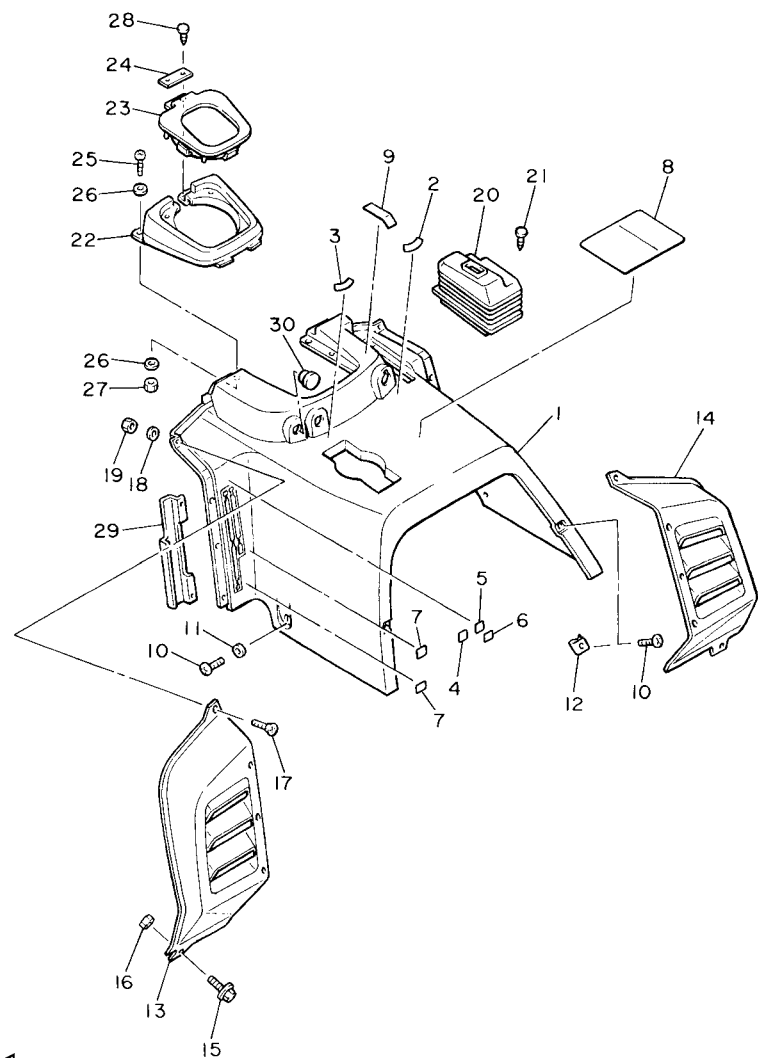


8JD2100-N330

FIG. 33 BUMPER

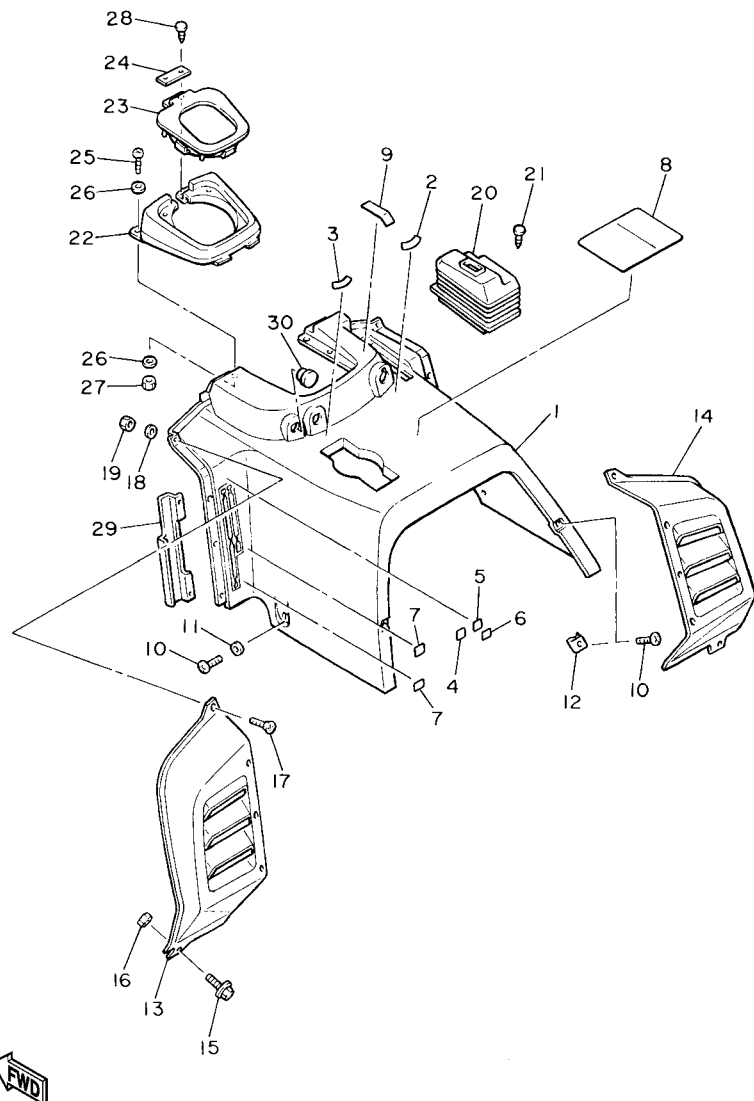
| REF. NO. | PART NO. | DESCRIPTION | EUR | RUS | JPN | | REMARKS |
|----------|--------------|---------------------------|-----|-----|-----|--|---------|
| 27 | 92907-08600 | WASHER, PLATE | | | 4 | | AP |
| 28 | 8HF-2817S-00 | LABEL, PULLING LOAD LIMIT | 1 | 1 | | | |
| | 8GS-2817S-J0 | LABEL, PULLING LOAD LIMIT | | | 1 | | |
| | | | | | | | |
| | | | | | | | |
| | | | | | | | |
| | | | | | | | |
| | | | | | | | |
| | | | | | | | |
| | | | | | | | |
| | | | | | | | |
| | | | | | | | |
| | | | | | | | |
| | | | | | | | |

FIG. 34 INSTRUMENT PANEL



8JD1100-M340

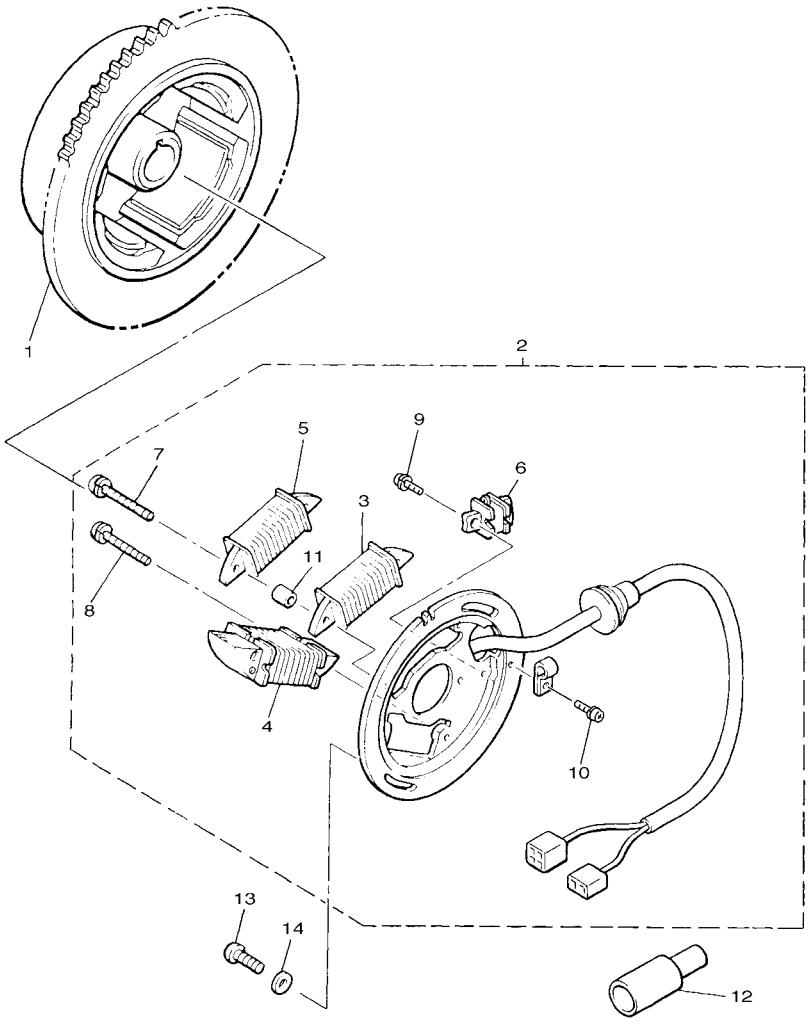
| REF. NO. | PART NO. | DESCRIPTION | EUR | RUS | JPN | REMARKS |
|----------|--------------|---------------------------|-----|-----|-----|---------|
| 1 | 86V-77711-00 | PANEL, INSTRUMENT | 1 | 1 | 1 | |
| 2 | 8V0-77741-20 | INDICATOR 1 | 1 | 1 | 1 | |
| 3 | 8U9-77742-00 | INDICATOR 2 | 1 | 1 | 1 | |
| 4 | 87A-77743-00 | INDICATOR 3 | 1 | 1 | 1 | |
| 5 | 87A-77742-00 | INDICATOR 2 | 1 | 1 | 1 | |
| 6 | 87A-77741-00 | INDICATOR 1 | 1 | 1 | 1 | |
| 7 | 87A-77745-00 | INDICATOR 5 | 2 | 2 | 2 | |
| 8 | 8AC-77761-10 | LABEL, WARNING 1 | 1 | | | |
| | 8AC-77761-R1 | LABEL, WARNING 1 | | 1 | | |
| | 8AC-77761-00 | LABEL, WARNING 1 | | | 1 | |
| 9 | 83R-77741-00 | INDICATOR 1 | 1 | 1 | 1 | |
| 10 | 98907-06016 | SCREW, BIND | 4 | 4 | 4 | |
| 11 | 90387-060U0 | COLLAR | 2 | 2 | 2 | |
| 12 | 83R-77144-00 | NUT | 2 | 2 | 2 | |
| 13 | 83R-77131-01 | LOUVER 1 | 1 | 1 | 1 | |
| 14 | 83R-77132-01 | LOUVER 2 | 1 | 1 | 1 | |
| 15 | 95802-06016 | BOLT, FLANGE | 2 | 2 | 2 | |
| 16 | 95702-06300 | NUT, NYLON | 2 | 2 | 2 | |
| 17 | 98707-04016 | SCREW, FLAT HEAD | 7 | 7 | 7 | |
| 18 | 90201-047A2 | WASHER, PLATE | 5 | 5 | 5 | |
| 19 | 95702-04300 | NUT, FLANGE | 5 | 5 | 5 | |
| 20 | 83R-77731-00 | SHIELD 1 | 1 | 1 | 1 | |
| 21 | 90269-05055 | RIVET | 4 | 4 | 4 | |
| 22 | 83R-77712-00 | PANEL, INSTRUMENT | 1 | 1 | 1 | |
| 23 | 83R-77740-00 | GROMMET, INSTRUMENT PANEL | 1 | 1 | 1 | |
| 24 | 83R-77728-00 | WASHER | 1 | 1 | 1 | |
| 25 | 98907-05016 | SCREW, BIND | 2 | 2 | 2 | |



8JD1100-M340

FIG. 34 INSTRUMENT PANEL

| REF. NO. | PART NO. | DESCRIPTION | EUR | RUS | JPN | REMARKS |
|----------|--------------|---------------|-----|-----|-----|---------|
| 26 | 90201-054K4 | WASHER, PLATE | 4 | 4 | 4 | |
| 27 | 95707-05300 | NUT, FLANGE | 2 | 2 | 2 | |
| 28 | 90269-05055 | RIVET | 2 | 2 | 2 | |
| 29 | 83R-2419A-00 | HOLDER | 1 | 1 | 1 | |
| 30 | 90480-12012 | GROMMET | 1 | 1 | 1 | |
| <hr/> | | | | | | |
| <hr/> | | | | | | |
| <hr/> | | | | | | |
| <hr/> | | | | | | |
| <hr/> | | | | | | |
| <hr/> | | | | | | |
| <hr/> | | | | | | |
| <hr/> | | | | | | |
| <hr/> | | | | | | |
| <hr/> | | | | | | |
| <hr/> | | | | | | |



FWD
8JD1100-M350

FIG. 35 GENERATOR

| REF. NO. | PART NO. | DESCRIPTION | EUR | RUS | JPN | REMARKS |
|----------|--------------|---------------------|-----|-----|-----|---------|
| 1 | 8AT-85550-01 | ROTOR ASSY | 1 | 1 | 1 | |
| 2 | 8AT-85560-10 | BASE ASSY | 1 | 1 | 1 | |
| 3 | 81L-85520-M0 | .COIL, CHARGE | 1 | 1 | 1 | |
| 4 | 81L-81313-M0 | .COIL, LIGHTING 1 | 1 | 1 | 1 | |
| 5 | 81L-81314-M0 | .COIL, LIGHTING 2 | 1 | 1 | 1 | |
| 6 | 8R4-85580-M0 | .COIL, PULSER | 1 | 1 | 1 | |
| 7 | 90159-05130 | .SCREW, WITH WASHER | 2 | 2 | 2 | |
| 8 | 90159-05129 | .SCREW, WITH WASHER | 2 | 2 | 2 | |
| 9 | 97607-04112 | .SCREW, WITH WASHER | 2 | 2 | 2 | |
| 10 | 97607-04108 | .SCREW, WITH WASHER | 1 | 1 | 1 | |
| 11 | 90387-06299 | .COLLAR | 2 | 2 | 2 | |
| 12 | 8Y0-82599-00 | COVER, CONNECTER | 1 | 1 | 1 | |
| 13 | 98907-06016 | SCREW, BIND | 2 | 2 | 2 | |
| 14 | 90201-06043 | WASHER, PLATE | 2 | 2 | 2 | |



8AC6100-9360

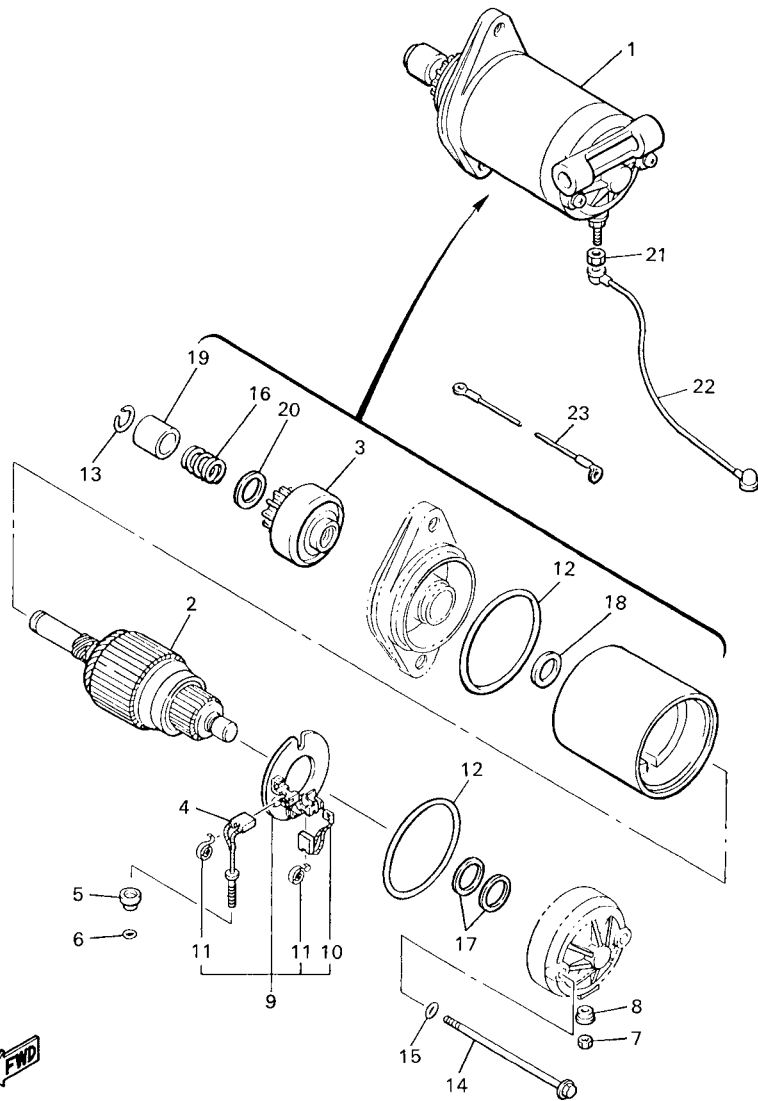
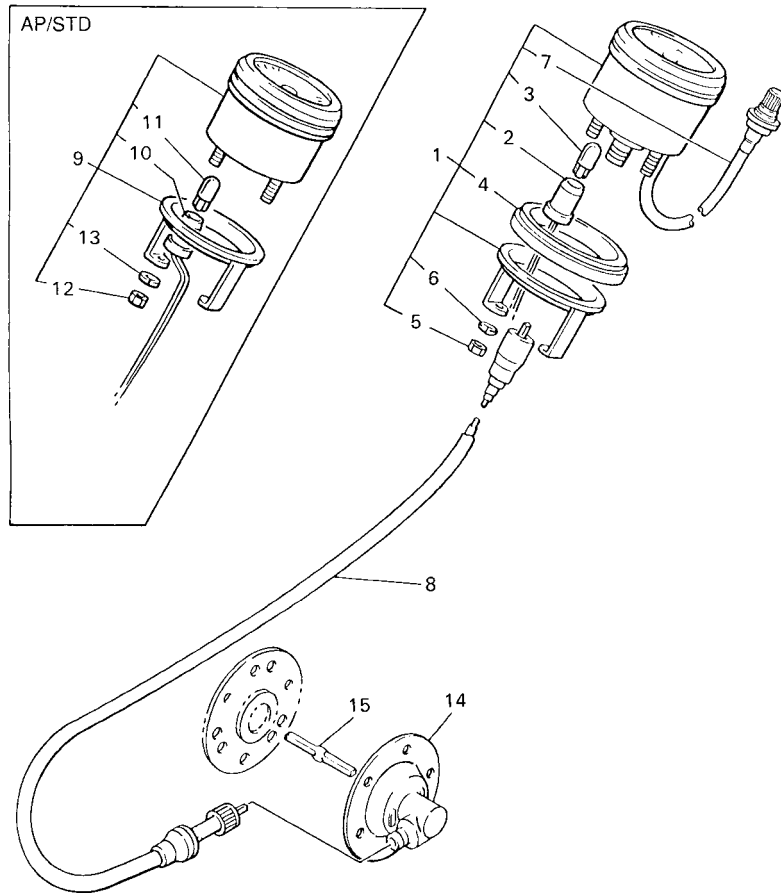


FIG. 36 STARTING MOTOR

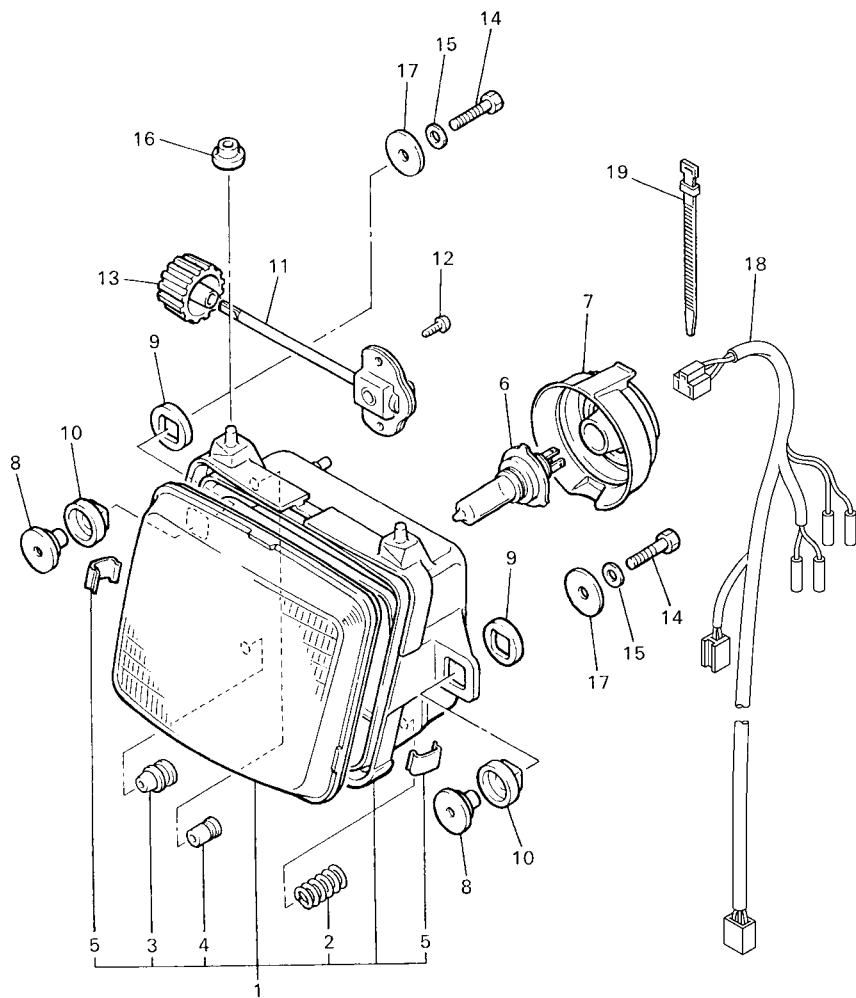
| REF. NO. | PART NO. | DESCRIPTION | EUR | RUS | JPN | REMARKS |
|----------|--------------|---------------------|-----|-----|-----|---------|
| 1 | 8BB-81800-01 | STARTING MOTOR ASSY | 1 | 1 | 1 | |
| 2 | 8Y3-81850-50 | .ARMATURE ASSY | 1 | 1 | 1 | |
| 3 | 84N-81832-51 | .CLUTCH, OVER RUN | 1 | 1 | 1 | |
| 4 | 73A-81811-00 | .BRUSH 1 | 1 | 1 | 1 | |
| 5 | 73A-81829-50 | .GROMMET | 1 | 1 | 1 | |
| 6 | 73A-81847-00 | .O-RING | 1 | 1 | 1 | |
| 7 | 4H7-81872-00 | .NUT, SPECIAL | 1 | 1 | 1 | |
| 8 | 73A-81829-00 | .GROMMET | 1 | 1 | 1 | |
| 9 | 8L6-81840-50 | .BRUSH HOLDER ASSY | 1 | 1 | 1 | |
| 10 | 84N-81812-00 | ..BRUSH 2 | 1 | 1 | 1 | |
| 11 | 8L6-81813-50 | ..SPRING, BRUSH | 2 | 2 | 2 | |
| 12 | 4H7-81844-50 | .O-RING | 2 | 2 | 2 | |
| 13 | 8L6-81834-50 | .RING | 1 | 1 | 1 | |
| 14 | 84N-81826-00 | .BOLT | 2 | 2 | 2 | |
| 15 | 8L6-81847-50 | .O-RING | 2 | 2 | 2 | |
| 16 | 8BB-81836-00 | .SPRING, LEVER | 1 | 1 | 1 | |
| 17 | 4H7-81843-50 | .WASHER 1 | 2 | 2 | 2 | |
| 18 | 8L6-81835-50 | .WASHER 2 | 1 | 1 | 1 | |
| 19 | 8L6-81833-50 | .RING, STOP | 1 | 1 | 1 | |
| 20 | 8BB-8185A-00 | .WASHER, PLATE | 1 | 1 | 1 | |
| 21 | 95307-06600 | NUT | 1 | 1 | 1 | |
| 22 | 83R-82117-01 | WIRE, LEAD | 1 | 1 | 1 | |
| 23 | 88N-82116-00 | WIRE, MINUS LEAD | 1 | 1 | 1 | |



8AC7100-0370

FIG. 37 METER

| REF. NO. | PART NO. | DESCRIPTION | EUR | RUS | JPN | REMARKS |
|----------|--------------|--------------------------|-----|-----|-----|---------|
| 1 | 86V-83510-20 | SPEEDOMETER ASSY (KM/H) | 1 | 1 | 1 | |
| 2 | 8V7-83536-40 | .SOCKET, METER | 1 | 1 | 1 | |
| 3 | 4R0-83517-00 | .BULB (12V-3.4W T10) | 1 | 1 | 1 | |
| 4 | 8G6-83523-00 | .DAMPER | 1 | 1 | 1 | |
| 5 | 95302-05600 | .NUT | 2 | 2 | 2 | |
| 6 | 92902-05100 | .WASHER, SPRING | 2 | 2 | 2 | |
| 7 | 8K1-83603-00 | .TRIP METER CABLE ASSY | 1 | 1 | 1 | |
| 8 | 8H4-83560-00 | METER CABLE ASSY | 1 | 1 | 1 | |
| 9 | 85L-83540-00 | TACHOMETER ASSY | 1 | 1 | | AP |
| | 85L-83540-00 | TACHOMETER ASSY | | | 1 | STD |
| 10 | 85L-83509-00 | .SOCKET CORD ASSY | 1 | 1 | | AP |
| | 85L-83509-00 | .SOCKET CORD ASSY | | | 1 | STD |
| 11 | 4R0-83517-00 | .BULB (12V-3.4W T10) | 1 | 1 | | AP |
| | 4R0-83517-00 | .BULB (12V-3.4W T10) | | | 1 | STD |
| 12 | 95380-05600 | .NUT | 4 | 4 | | AP |
| | 95380-05600 | .NUT | | | 4 | STD |
| 13 | 92990-05100 | .WASHER, SPRING | 4 | 4 | | AP |
| | 92990-05100 | .WASHER, SPRING | | | 4 | STD |
| 14 | 8JD-47700-00 | METER GEAR HOUSING COMP. | 1 | 1 | 1 | |
| 15 | 8K4-47715-00 | JOINT | 1 | 1 | 1 | |



8JD1100-M380

FIG. 38 HEADLIGHT

| REF. NO. | PART NO. | DESCRIPTION | EUR | RUS | JPN | REMARKS |
|----------|--------------|----------------------|-----|-----|-----|-------------|
| 1 | 83R-8430A-G0 | HEAD LIGHT UNIT ASSY | 1 | 1 | | |
| | 84R-8430A-A0 | HEAD LIGHT UNIT ASSY | | | 1 | |
| 2 | 51L-84332-00 | .SPRING, SCREW | 1 | 1 | 1 | |
| 3 | 51L-8431U-00 | .HOLDER | 1 | 1 | 1 | |
| 4 | 51L-84334-00 | .NUT, ADJUSTING | 2 | 2 | 2 | |
| 5 | 36Y-84324-00 | .SPRING, REFLECTOR | 3 | 3 | 3 | |
| 6 | 2F9-84314-00 | BULB (12V-60/55W) | 1 | 1 | 1 | (H4)HALOGEN |
| 7 | 36Y-84397-00 | COVER, SOCKET | 1 | 1 | 1 | |
| 8 | 498-84145-60 | COLLAR, BODY FITTING | 2 | 2 | 2 | |
| 9 | 498-84164-60 | DAMPER | 2 | 2 | 2 | |
| 10 | 498-84163-60 | DAMPER | 2 | 2 | 2 | |
| 11 | 83R-8430M-00 | GEAR UNIT ASSY | 1 | 1 | 1 | |
| 12 | 97707-40616 | SCREW, TAPPING | 2 | 2 | 2 | |
| 13 | 26H-8432M-00 | KNOB ASSY | 1 | 1 | 1 | |
| 14 | 97007-08040 | BOLT | 2 | 2 | 2 | |
| 15 | 92907-08600 | WASHER, PLATE | 2 | 2 | 2 | |
| 16 | 36Y-84354-00 | GROMMET | 2 | 2 | 2 | |
| 17 | 90201-08766 | WASHER, PLATE | 2 | 2 | 2 | |
| 18 | 8JD-84359-00 | CORD, HEADLIGHT | 1 | 1 | 1 | |
| 19 | 437-83936-01 | BAND, SWITCH CORD | 1 | 1 | 1 | |

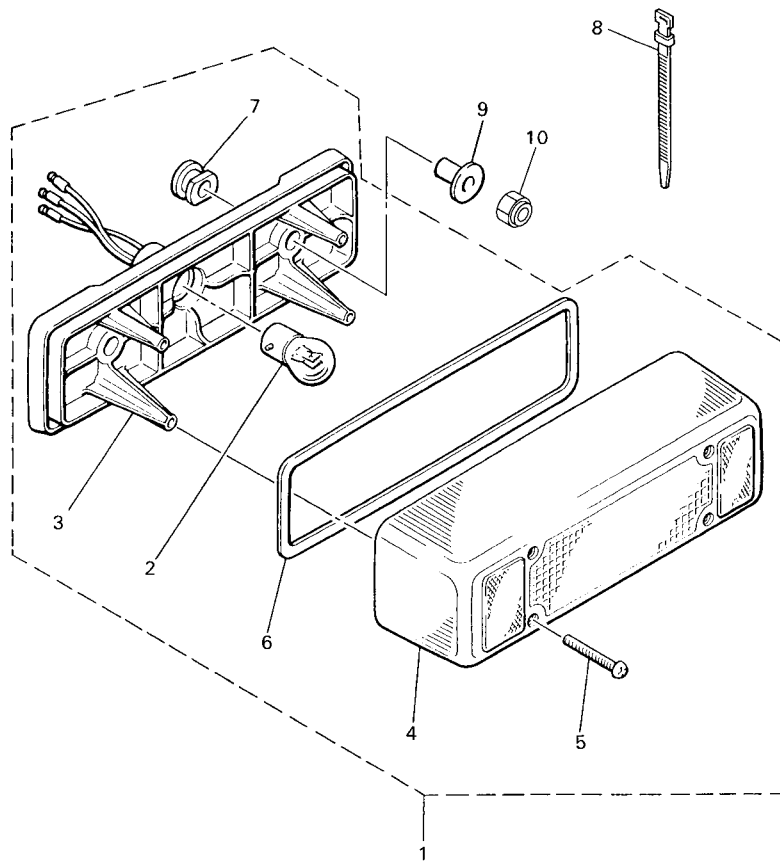


FIG. 39 TAILLIGHT

| REF. NO. | PART NO. | DESCRIPTION | EUR | RUS | JPN | REMARKS |
|----------|--------------|-------------------------|-----|-----|-----|---------|
| 1 | 8JN-84710-00 | TAILLIGHT UNIT ASSY | 1 | 1 | 1 | |
| 2 | 1A2-84714-41 | .BULB (12V-21/5W) | 1 | 1 | 1 | |
| 3 | 8K4-84711-01 | .BASE, TAILLIGHT | 1 | 1 | 1 | |
| 4 | 8K4-84733-01 | .LENS, 1 | 1 | 1 | 1 | |
| 5 | 97701-40130 | .SCREW, PANHEAD TAPPING | 4 | 4 | 4 | |
| 6 | 87M-84723-00 | .GASKET, TAIL LENS | 1 | 1 | 1 | |
| 7 | 8K4-84718-00 | .GROMMET | 2 | 2 | 2 | |
| 8 | 90465-10098 | CLAMP | 1 | 1 | 1 | |
| 9 | 90387-066N1 | COLLAR | 2 | 2 | 2 | |
| 10 | 95602-06100 | NUT, U | 2 | 2 | 2 | |



8JD1100-M390

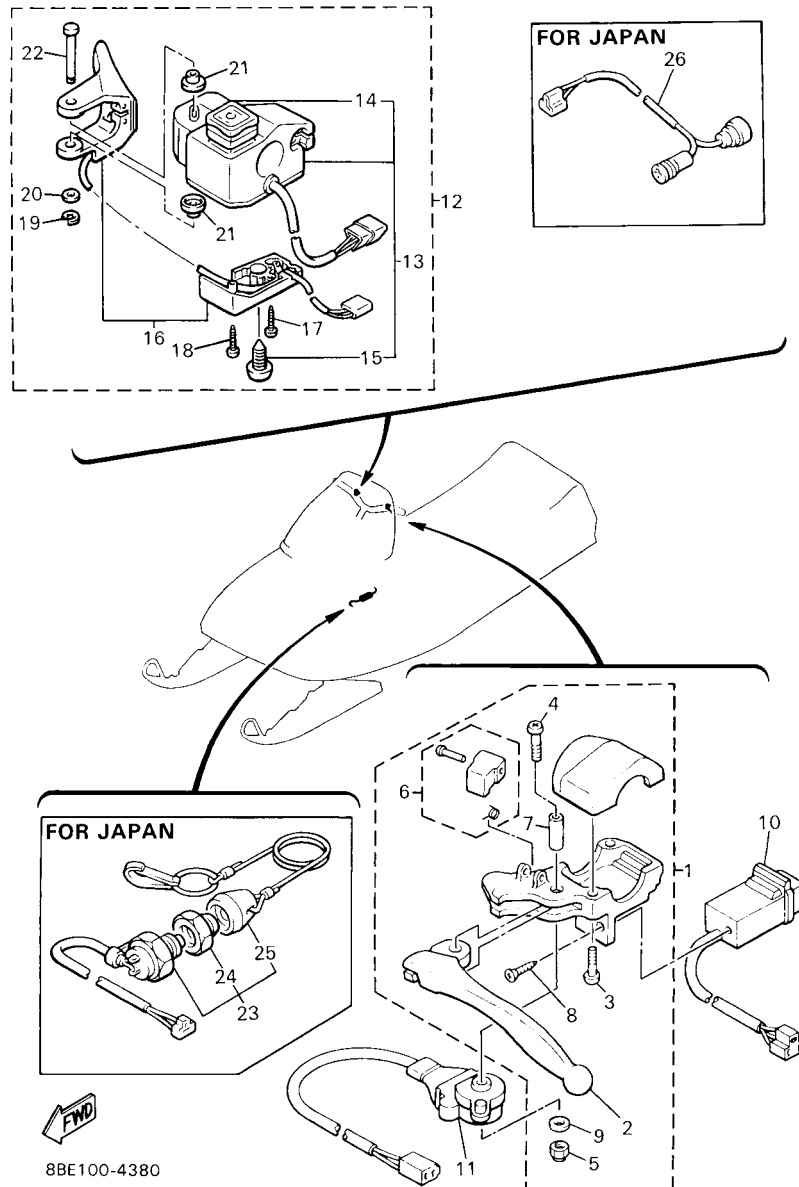
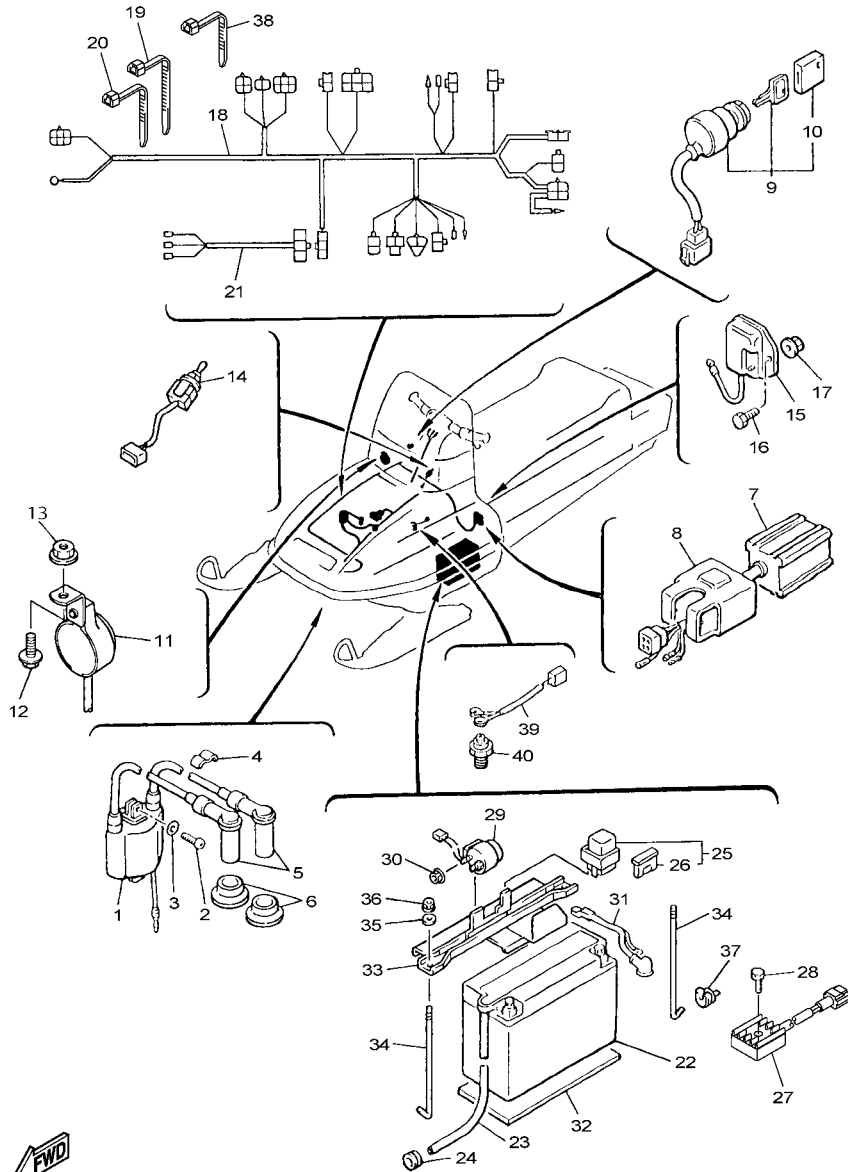


FIG. 40 HANDLE SWITCH & LEVER

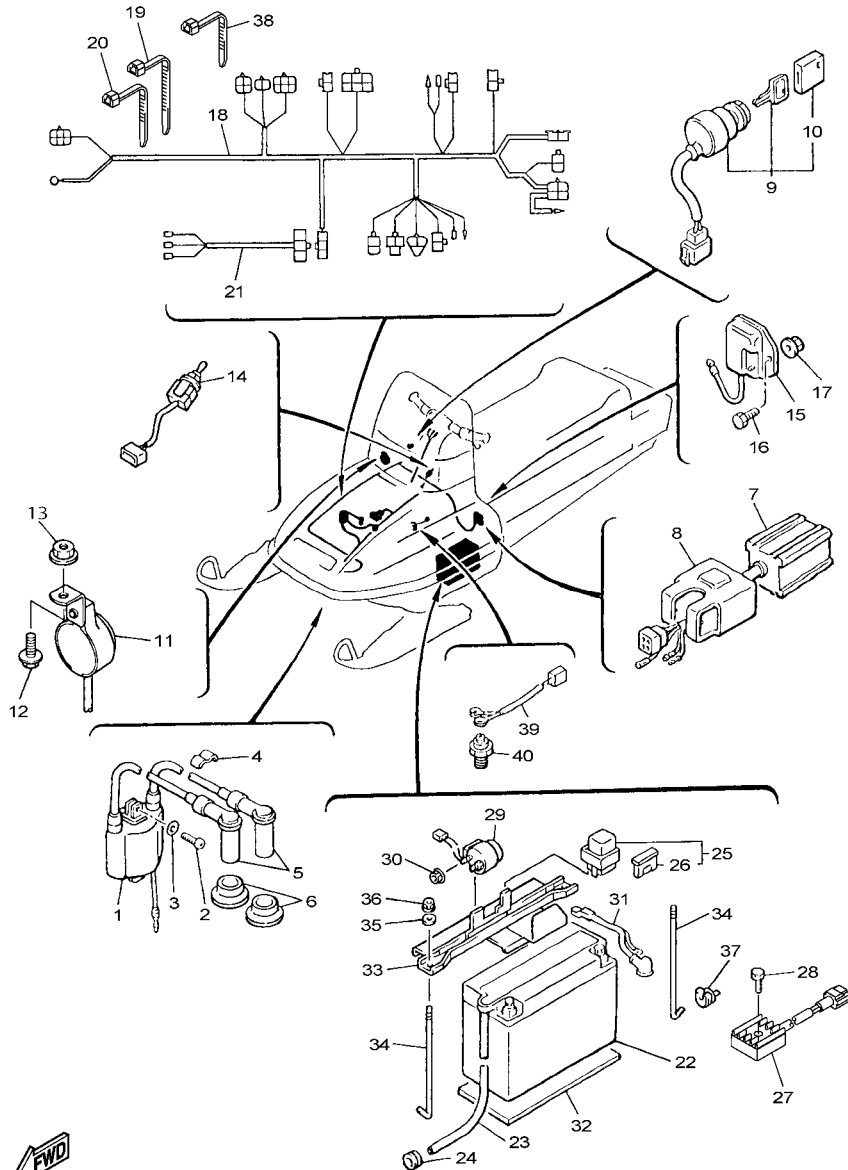
| REF. NO. | PART NO. | DESCRIPTION | EUR | RUS | JPN | REMARKS |
|----------|--------------|---------------------------|-----|-----|-----|--------------|
| 1 | 88R-W8291-00 | LEVER HOLDER ASSY (LEFT) | 1 | 1 | 1 | |
| 2 | 8H8-83912-00 | .LEVER 1 | 1 | 1 | 1 | |
| 3 | 90157-05027 | .SCREW, PAN HEAD | 2 | 2 | 2 | |
| 4 | 8R4-82113-00 | .SCREW | 1 | 1 | 1 | |
| 5 | 95702-05300 | .NUT, NYLON | 1 | 1 | 1 | |
| 6 | 8K4-W8393-00 | .LEVER LOCK ASSY | 1 | 1 | 1 | |
| 7 | 802-83913-00 | .COLLAR, LEVER 1 | 1 | 1 | 1 | |
| 8 | 8R4-8252V-00 | .SCREW, SPECIAL | 1 | 1 | 1 | |
| 9 | 92902-05200 | .WASHER | 1 | 1 | 1 | |
| 10 | 8K4-83950-01 | BEAM SWITCH ASSY | 1 | 1 | 1 | |
| 11 | 88R-82530-00 | STOP SWITCH ASSY | 1 | 1 | 1 | |
| 12 | 8AU-82720-02 | LEVER HOLDER ASSY (RIGHT) | 1 | 1 | 1 | |
| 13 | 8AU-83963-00 | .SWITCH, HANDLE 3 | 1 | 1 | 1 | |
| 14 | 8AU-82575-09 | ..ENGINE STOP SWITCH ASSY | 1 | 1 | 1 | WIRE/L=240MM |
| 15 | 8R6-83928-00 | ..SCREW | 1 | 1 | 1 | |
| 16 | 8AU-82970-02 | .THUMB WARMER ASSY | 1 | 1 | 1 | |
| 17 | 97706-30620 | .SCREW, TAPPING | 1 | 1 | 1 | |
| 18 | 97706-30630 | .SCREW, TAPPING | 1 | 1 | 1 | |
| 19 | 99001-04600 | .CIRCLIP | 1 | 1 | 1 | |
| 20 | 85G-83663-00 | .WASHER, SPECIAL | 1 | 1 | 1 | |
| 21 | 85G-83956-00 | .CAP 1 | 2 | 2 | 2 | |
| 22 | 88T-8399F-00 | .SHAFT | 1 | 1 | 1 | |
| 23 | 8H8-82550-01 | ENGINE STOP SWITCH ASSY | | | 1 | AP |
| 24 | 8H8-82557-00 | .NUT | | | 1 | AP |
| 25 | 8H7-82552-01 | .CAP, SWITCH | | | 1 | AP |
| 26 | 89L-82318-00 | WIRE, SUB-LEAD | | | 1 | AP |



8KA1100-P410

FIG. 41 ELECTRICAL 1

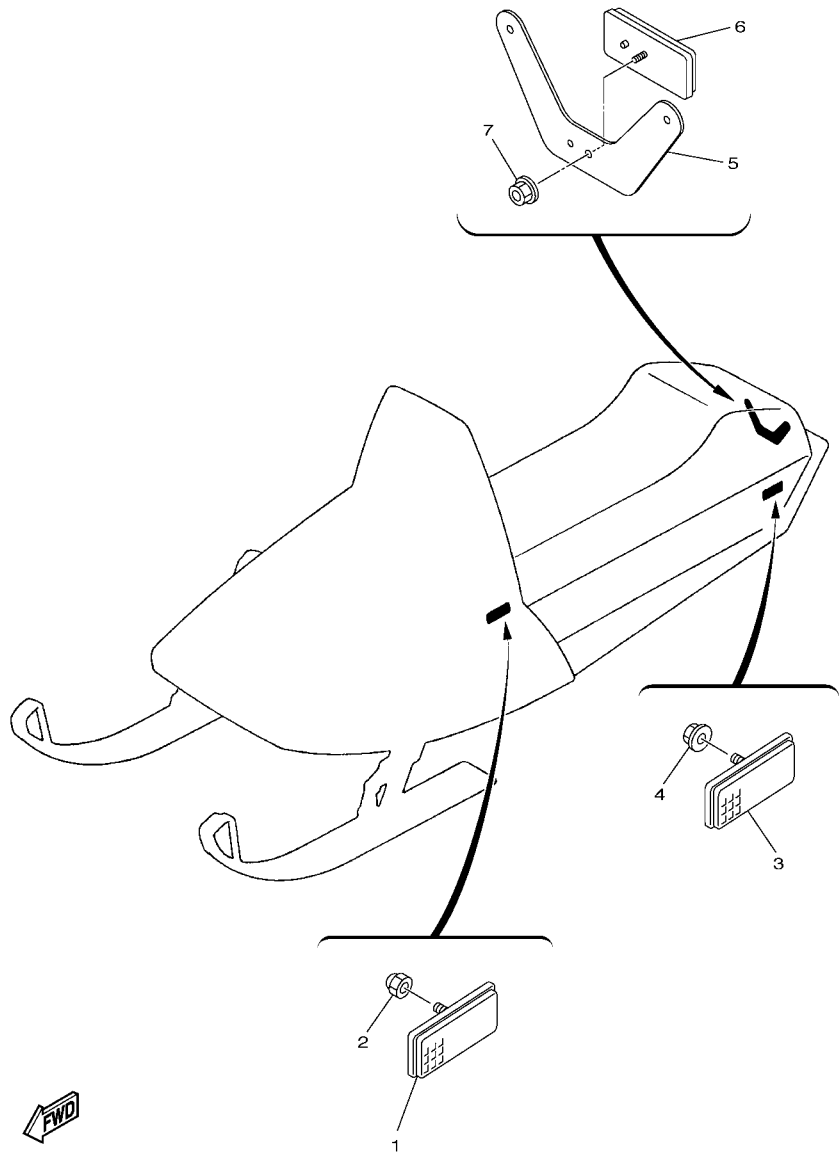
| REF. NO. | PART NO. | DESCRIPTION | EUR | RUS | JPN | REMARKS |
|----------|--------------|--------------------------------|-----|-----|-----|---------|
| 1 | 88T-82310-01 | IGNITION COIL ASSY | 1 | 1 | 1 | |
| 2 | 97880-06020 | SCREW, PAN HEAD | 2 | 2 | 2 | |
| 3 | 92990-06600 | WASHER, PLATE | 2 | 2 | 2 | |
| 4 | 861-82361-00 | CLAMP, CORD | 1 | 1 | 1 | |
| 5 | 8K1-82370-20 | PLUG CAP ASSY (WITH RESISTOR) | 2 | 2 | 2 | |
| 6 | 8G5-82372-00 | SEAL, PLUG CAP | 2 | 2 | 2 | |
| 7 | 8AU-85540-00 | C.D.I. UNIT ASSY | 1 | 1 | 1 | |
| 8 | 2A7-85546-00 | BAND | 1 | 1 | 1 | |
| 9 | 8K1-82510-20 | MAIN SWITCH ASSY | 1 | 1 | 1 | |
| 10 | 526-82579-00 | .CAP, KEY | 2 | 2 | 2 | |
| 11 | 87L-83383-01 | BUZZER | 1 | 1 | 1 | |
| 12 | 95822-06016 | BOLT, FLANGE | 1 | 1 | 1 | |
| 13 | 95602-06200 | NUT, SELF-LOCKING | 1 | 1 | 1 | |
| 14 | 8JD-82917-00 | SWITCH | 1 | 1 | 1 | |
| 15 | 82M-81910-A0 | VOLTAGE REGULATOR ASSY | 1 | 1 | 1 | |
| 16 | 97002-06014 | BOLT | 1 | 1 | 1 | |
| 17 | 95702-06300 | NUT, NYLON | 1 | 1 | 1 | |
| 18 | 8KA-82590-00 | WIRE HARNESS ASSY | 1 | 1 | 1 | |
| 19 | 90464-15195 | CLAMP | 1 | 1 | 1 | |
| 20 | 90464-13073 | CLAMP | 1 | 1 | 1 | |
| 21 | 8AC-84717-01 | CORD, TAILLIGHT | 1 | 1 | 1 | |
| 22 | 5E3-82110-81 | BATTERY ASSY (YUASA YB16AL-A2) | 1 | 1 | | |
| | 90793-26072 | BATTERY ASSY (YUASA YB16AL-A2) | | | 1 | |
| 23 | 8AC-8235W-00 | PIPE | 1 | 1 | 1 | |
| 24 | 90480-12314 | GROMMET | 1 | 1 | 1 | |
| 25 | 8BE-82150-00 | FUSE HOLDER ASSY | 1 | 1 | 1 | |
| 26 | 42X-82151-00 | .FUSE (10A-BL) | 2 | 2 | 2 | |



8KA1100-P410

FIG. 41 ELECTRICAL 1

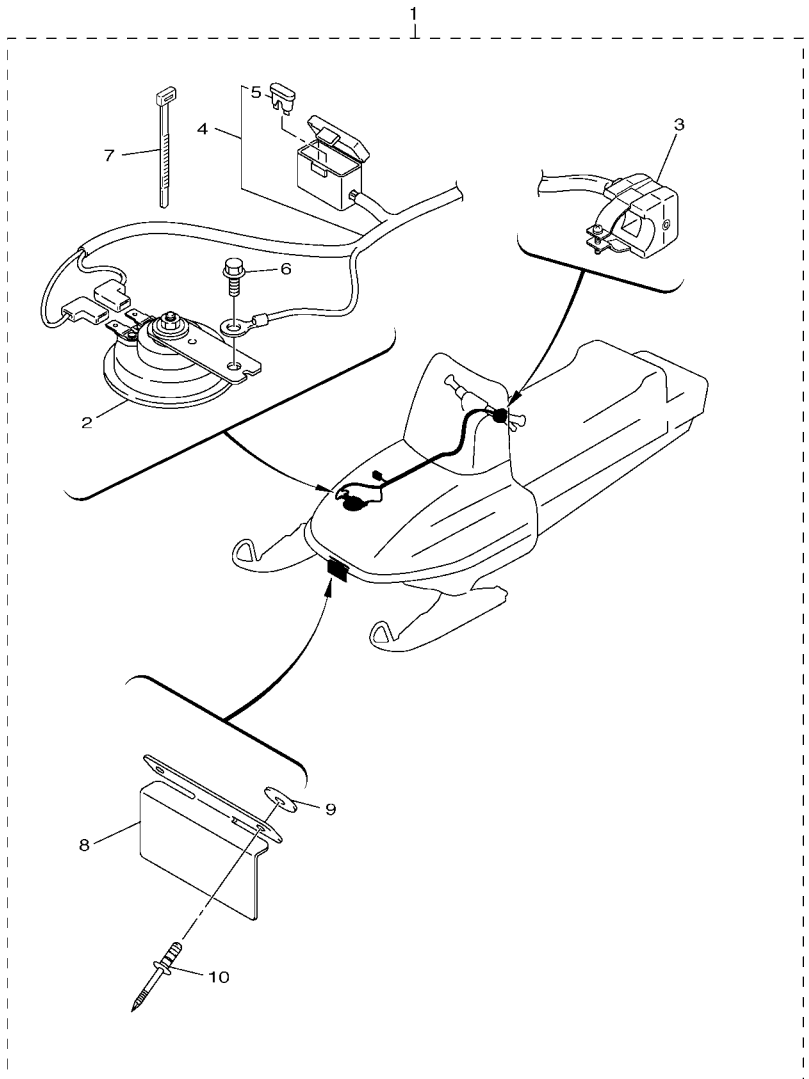
| REF. NO. | PART NO. | DESCRIPTION | EUR | RUS | JPN | REMARKS |
|----------|--------------|-------------------------------|-----|-----|-----|---------|
| 27 | 8AC-81970-00 | RECTIFIER ASSY | 1 | 1 | 1 | |
| 28 | 95802-06020 | BOLT, FLANGE | 1 | 1 | 1 | |
| 29 | 50W-81940-10 | STARTER RELAY ASSY (MS5D-231) | 1 | 1 | 1 | |
| 30 | 95702-06500 | NUT, FLANGE | 2 | 2 | 2 | |
| 31 | 88N-82115-00 | WIRE, PLUS LEAD | 1 | 1 | 1 | |
| 32 | 84N-82122-00 | SEAT, BATTERY | 1 | 1 | 1 | |
| 33 | 8AC-82136-10 | PLATE, BATTERY FITTING | 1 | 1 | 1 | |
| 34 | 8Y7-82133-00 | SCREW, FITTING | 2 | 2 | 2 | |
| 35 | 92902-06600 | WASHER, PLATE | 2 | 2 | 2 | |
| 36 | 95702-06300 | NUT, NYLON | 2 | 2 | 2 | |
| 37 | 8AC-82355-00 | GROMMET | 1 | 1 | 1 | |
| 38 | 90464-13077 | CLAMP | 2 | 2 | 2 | |
| 39 | 87L-82318-00 | WIRE, SUB-LEAD | 1 | 1 | 1 | |
| 40 | 4KD-82540-00 | NEUTRAL SWITCH ASSY | 1 | 1 | 1 | |



8JD2100-N420

FIG. 42 ELECTRICAL 2

| REF. NO. | PART NO. | DESCRIPTION | EUR | RUS | JPN | REMARKS |
|----------|--------------|---------------------|-----|-----|-----|---------|
| 1 | 8GM-85110-00 | REFLECTOR ASSY | 2 | 2 | 2 | |
| 2 | 95602-05200 | NUT, SELF-LOCKING | 2 | 2 | 2 | |
| 3 | 8GM-85110-00 | REFLECTOR ASSY | 2 | 2 | 2 | |
| 4 | 95702-05500 | NUT, FLANGE | 2 | 2 | 2 | |
| 5 | 8JN-83955-00 | BRACKET 1 | 1 | 1 | 1 | |
| 6 | 3Y6-85130-02 | REAR REFLECTOR ASSY | 1 | 1 | 1 | |
| 7 | 95702-05500 | NUT, FLANGE | 1 | 1 | 1 | |
| ----- | | | | | | |
| ----- | | | | | | |
| ----- | | | | | | |
| ----- | | | | | | |
| ----- | | | | | | |
| ----- | | | | | | |
| ----- | | | | | | |
| ----- | | | | | | |



8JD2100-N430

FIG. 43 ELECTRICAL 3

| REF. NO. | PART NO. | DESCRIPTION | EUR | RUS | JPN | REMARKS |
|----------|--------------|--------------------------------|-----|-----|-----|-------------|
| 1 | 8JD-833A0-00 | HORN KIT | 1 | | | FOR FINLAND |
| 2 | 3MX-83371-11 | .HORN | 1 | | | FOR FINLAND |
| 3 | 8FR-83976-02 | .SWITCH, HANDLE 1 | 1 | | | FOR FINLAND |
| 4 | 8AC-82509-10 | .WIRE, SUB LEAD | 1 | | | FOR FINLAND |
| 5 | 5JJ-82151-50 | ..FUSE (3A-BL) | 1 | | | FOR FINLAND |
| 6 | 95822-06016 | .BOLT, FLANGE | 1 | | | FOR FINLAND |
| 7 | 437-83936-01 | .BAND, SWITCH CORD | 1 | | | FOR FINLAND |
| 8 | 8GU-21641-00 | .BRACKET, REFLECTOR | 1 | | | FOR FINLAND |
| 9 | 90201-05036 | .WASHER, PLATE | 2 | | | FOR FINLAND |
| 10 | 90267-47186 | .RIVET, BLIND (4.7X16.4 BLACK) | 2 | | | FOR FINLAND |
| | | | | | | |
| | | | | | | |
| | | | | | | |
| | | | | | | |
| | | | | | | |
| | | | | | | |
| | | | | | | |
| | | | | | | |

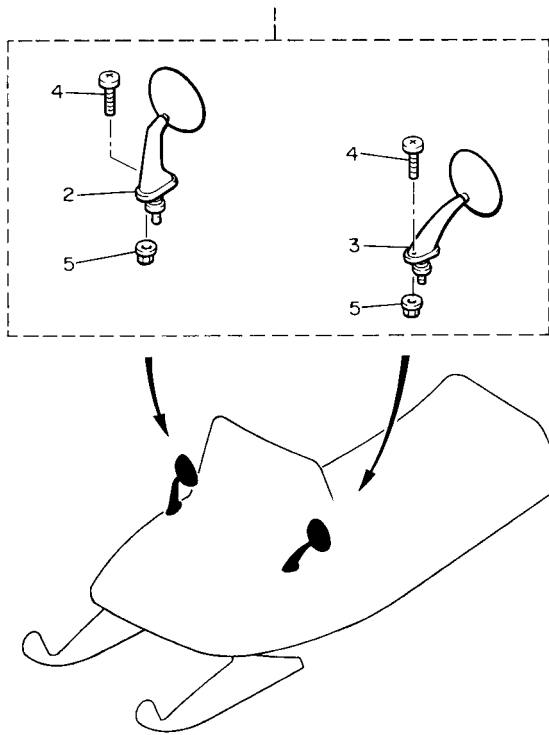
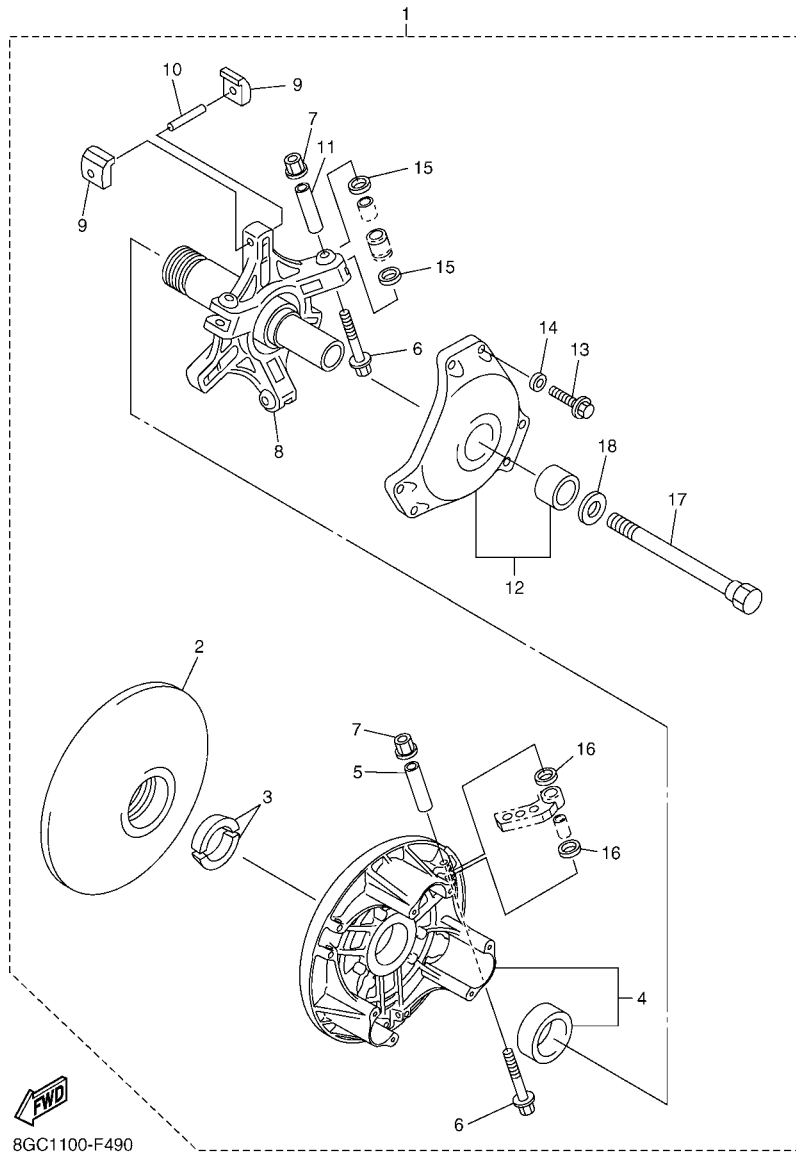


FIG. 44 ALTERNATE REAR VIEW MIRROR

| REF. NO. | PART NO. | DESCRIPTION | EUR | RUS | JPN | REMARKS |
|----------|--------------|--------------------------------|-----|-----|-----|---------|
| 1 | 8E1-W2628-00 | REAR VIEW MIRROR SET | 1 | 1 | 1 | AP |
| 2 | 8E1-26280-00 | .REAR VIEW MIRROR ASSY (RIGHT) | 1 | 1 | 1 | |
| 3 | 8E1-26290-00 | .REAR VIEW MIRROR ASSY (LEFT) | 1 | 1 | 1 | |
| 4 | 98507-04016 | .SCREW, PAN HEAD | 4 | 4 | 4 | |
| 5 | 95707-04500 | .NUT, FLANGE | 4 | 4 | 4 | |
| ----- | | | | | | |
| ----- | | | | | | |
| ----- | | | | | | |
| ----- | | | | | | |
| ----- | | | | | | |
| ----- | | | | | | |
| ----- | | | | | | |
| ----- | | | | | | |
| ----- | | | | | | |
| ----- | | | | | | |



88U100-1401

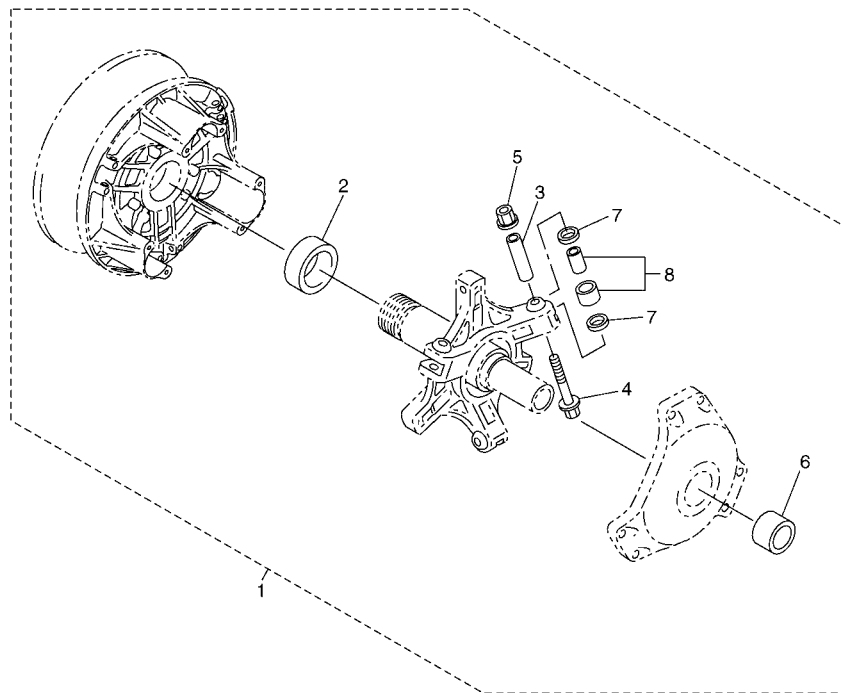


8GC1100-F490

FIG. 45 ALTERNATE REBUILD KIT

| REF. NO. | PART NO. | DESCRIPTION | EUR | RUS | JPN | REMARKS |
|----------|--------------|-------------------------------|-----|-----|-----|---------|
| 1 | 8GJ-W176G-02 | CLUTCH REPAIR KIT | 1 | 1 | 1 | AP |
| 2 | 8FA-17611-01 | .SHEAVE, PRIMARY FIXED | 1 | 1 | 1 | |
| 3 | 8V0-17639-00 | .STOPPER | 2 | 2 | 2 | |
| 4 | 8BV-17620-03 | .PRIMARY SLIDING SHEAVE COMP. | 1 | 1 | 1 | |
| 5 | 90387-0514T | .COLLAR | 3 | 3 | 3 | |
| 6 | 90105-05644 | .BOLT, FLANGE | 6 | 6 | 6 | |
| 7 | 95607-05200 | .NUT, U FLANGE | 6 | 6 | 6 | |
| 8 | 8ES-17640-02 | .SPIDER COMPLETE | 1 | 1 | 1 | |
| 9 | 8BW-17653-00 | .SLIDER | 6 | 6 | 6 | |
| 10 | 91609-50032 | .PIN, SPRING | 3 | 3 | 3 | |
| 11 | 90387-0514U | .COLLAR | 3 | 3 | 3 | |
| 12 | 8BV-17630-11 | .PRIMARY SHEAVE CAP COMP. | 1 | 1 | 1 | |
| 13 | 97017-06030 | .BOLT | 6 | 6 | 6 | |
| 14 | 92907-06600 | .WASHER, PLATE | 6 | 6 | 6 | |
| 15 | 90202-09227 | .WASHER, PLATE | 6 | 6 | 6 | |
| 16 | 90202-08204 | .WASHER, PLATE | 6 | 6 | 6 | |
| 17 | 8V0-17647-00 | .BOLT (L=156.5MM) | 1 | 1 | 1 | |
| 18 | 92907-16100 | .WASHER | 1 | 1 | 1 | |

FIG. 46 ALTERNATE CLUTCH TUNE UP KIT



| REF. NO. | PART NO. | DESCRIPTION | EUR | RUS | JPN | REMARKS |
|----------|--------------|-----------------------|-----|-----|-----|---------|
| 1 | 8ET-W176H-00 | CLUTCH TUNE-UP KIT | 1 | 1 | 1 | AP |
| 2 | 90384-41242 | .BUSH, BIMETAL FORMED | 1 | 1 | 1 | |
| 3 | 90387-0514U | .COLLAR | 3 | 3 | 3 | |
| 4 | 90105-05644 | .BOLT, FLANGE | 3 | 3 | 3 | |
| 5 | 95607-05200 | .NUT, U FLANGE | 3 | 3 | 3 | |
| 6 | 90380-28237 | .BUSH, SOLID | 1 | 1 | 1 | |
| 7 | 90202-09227 | .WASHER, PLATE | 6 | 6 | 6 | |
| 8 | 8FG-17624-00 | .ROLLER, COMP | 3 | 3 | 3 | |
| | | | | | | |
| | | | | | | |
| | | | | | | |
| | | | | | | |
| | | | | | | |
| | | | | | | |



8FA1100-B550

NUMERICAL INDEX

| PART NO. | REF. NO. | PART NO. | REF. NO. | PART NO. | REF. NO. | PART NO. | REF. NO. | PART NO. | REF. NO. | PART NO. | REF. NO. |
|-----------------|----------|--------------|----------|--------------|----------|--------------|----------|--------------|----------|--------------|----------|
| 8R6-11111-00 | 1 - 1 | 866-13175-00 | 5 - 4 | 3G2-14231-78 | 7 - 12 | 83R-17492-10 | 27 - 10 | 8N7-21486-00 | 13 - 4 | 8L0-23788-00 | 16 - 27 |
| J38-11116-00 | 9 - 7 | 821-13176-00 | 5 - 3 | 3G2-14231-79 | 7 - 12 | 89V-21486-00 | 27 - 25 | 8V9-21486-00 | 13 - 6 | 8AU-23811-11 | 17 - 1 |
| 83R-11161-00 | 1 - 3 | 8K2-13178-00 | 2 - 22 | 8M6-14261-00 | 7 - 5 | 8AT-17605-10 | 11 - 22 | 8GU-21641-00 | 43 - 8 | 8F3-23812-00 | 17 - 9 |
| 83R-11162-00 | 1 - 10 | 8H8-13179-00 | 5 - 14 | 89A-14265-00 | 7 - 20 | 8FA-17611-01 | 11 - 1 | 8AT-21747-00 | 14 - 22 | 8KA-23813-00 | 17 - 2 |
| 83R-11181-00 | 1 - 4 | 821-13188-00 | 5 - 5 | 8X0-14358-00 | 7 - 23 | | 45 - 2 | 83R-21751-00 | 14 - 1 | 8K1-23814-00 | 17 - 5 |
| 83R-11311-00 | 1 - 9 | 8G8-13342-00 | 5 - 16 | 83R-14425-00 | 6 - 29 | 8BV-17620-03 | 11 - 3 | 863-21771-00 | 14 - 4 | 8G5-23814-01 | 17 - 4 |
| 89N-11351-00 | 1 - 12 | 8G8-13410-00 | 14 - 7 | 8H8-14431-00 | 6 - 19 | | 45 - 4 | 8JD-21912-01 | 15 - 6 | 8KA-23815-00 | 17 - 13 |
| 8AT-11400-01 | 2 - 6 | 353-13552-01 | 4 - 6 | 8H8-14441-00 | 6 - 20 | 8FG-17624-00 | 11 - 19 | 89X-21917-00 | 15 - 30 | 8AT-23818-00 | 15 - 21 |
| 83R-11412-01 | 2 - 7 | 8G8-13555-01 | 6 - 12 | 83R-14453-00 | 6 - 16 | | 46 - 8 | 8JD-21926-00 | 15 - 70 | 8KA-2381B-00 | 17 - 3 |
| 8H8-11422-01 | 2 - 8 | 8Y7-13556-01 | 6 - 6 | 83R-14465-00 | 6 - 21 | 8BV-17630-11 | 11 - 14 | 8AC-21933-00 | 15 - 68 | 8AT-23821-00 | 17 - 14 |
| 8H8-11432-01 | 2 - 9 | 83R-13565-00 | 6 - 7 | 8H8-14466-00 | 6 - 22 | | 45 - 12 | 81E-21945-00 | 15 - 2 | 8L0-2382E-01 | 16 - 43 |
| 8AT-11442-00 | 2 - 10 | 8AT-13610-00 | 6 - 1 | 8H8-14477-00 | 6 - 23 | 8V0-17639-00 | 11 - 2 | 8AT-2194Y-00 | 15 - 27 | 8L0-2382F-00 | 16 - 44 |
| 8H8-11515-00 | 2 - 14 | 8AT-13613-00 | 6 - 2 | 8X0-14500-00 | 7 - 19 | | 45 - 3 | 83R-21955-00 | 15 - 4 | 8AT-23831-00 | 17 - 19 |
| 8R6-11601-00 | 2 - 2 | 8H8-13616-00 | 6 - 3 | 8K4-14610-00 | 8 - 1 | 8ES-17640-02 | 11 - 8 | 8AT-2195Y-00 | 15 - 28 | 86X-23841-00 | 17 - 15 |
| 8R6-11601-10 | 2 - 2 | 84R-14101-03 | 7 - 1 | 82M-14613-01 | 8 - 2 | | 45 - 8 | 8AC-21965-00 | 15 - 10 | 87S-23845-01 | 17 - 20 |
| 8R6-11601-20 | 2 - 2 | 86R-14101-03 | 7 - 1 | 83R-14710-04 | 8 - 5 | 8DN-17641-01 | 11 - 26 | 8AT-2196T-00 | 15 - 64 | 87S-23847-01 | 17 - 16 |
| 8R6-11631-00-95 | 2 - 1 | 22F-14117-00 | 7 - 21 | 83R-14728-01 | 8 - 6 | 8V0-17647-00 | 11 - 27 | 8JD-2196T-00 | 15 - 65 | | 17 - 21 |
| 8H8-11633-00 | 2 - 3 | 8V0-14118-00 | 7 - 17 | 83R-14941-4E | 7 - 11 | | 45 - 17 | 83R-21986-00 | 15 - 7 | 82M-23851-00 | 16 - 35 |
| 8R6-11635-00 | 2 - 1 | 80L-14122-00 | 7 - 18 | 1UF-14952-00 | 7 - 22 | 8BW-17653-00 | 11 - 9 | 83R-21987-00 | 15 - 8 | 8AT-23852-00 | 16 - 36 |
| 8R6-11636-00 | 2 - 1 | 127-14124-20 | 7 - 26 | 256-14956-01 | 7 - 30 | | 45 - 9 | 83R-2198F-00 | 15 - 5 | 8JN-23857-00 | 17 - 6 |
| 8R6-11651-00 | 2 - 12 | 89A-14125-00 | 7 - 18 | 8H8-15100-02 | 9 - 1 | 88R-17660-03 | 12 - 1 | 8M6-2198F-00 | 15 - 24 | 8V0-23858-00 | 19 - 30 |
| 8A7-11685-00 | 2 - 23 | 8M6-14126-00 | 7 - 4 | 3Y1-15363-10 | 28 - 20 | 8AT-17670-01 | 12 - 2 | 8CR-2198J-00 | 15 - 43 | 84M-23868-00 | 17 - 8 |
| 8H8-12611-01 | 3 - 14 | 2J2-14133-00 | 7 - 19 | 8AT-15416-00 | 5 - 1 | 88N-17680-02 | 12 - 11 | 8M6-21998-00 | 15 - 25 | 83R-23870-00 | 18 - 1 |
| 8H8-12612-00 | 3 - 21 | 8X0-14133-00 | 7 - 28 | 8KA-15426-00 | 5 - 10 | 8AT-2198G-00 | 27 - 12 | 8AT-23883-01 | 15 - 56 | 8AT-23883-01 | 15 - 36 |
| 8L0-12616-00 | 3 - 34 | 82A-14134-00 | 7 - 2 | 8H8-15710-00 | 10 - 1 | 8AT-17684-01 | 12 - 9 | 8AT-2199H-00 | 29 - 67 | 8AT-23884-01 | 15 - 37 |
| 8H8-12618-01 | 3 - 22 | 127-14135-00 | 7 - 14 | 8H8-15711-00 | 10 - 2 | 8X6-17688-00 | 12 - 3 | 8KA-22401-00 | 16 - 23 | 8AC-23894-01 | 17 - 10 |
| 8H8-12619-01 | 3 - 16 | 193-14142-90 | 7 - 16 | 8F3-15713-01 | 10 - 5 | 52G-18113-00 | 28 - 25 | 83R-22493-00 | 16 - 26 | 83R-24111-00 | 19 - 1 |
| 88F-12621-02 | 3 - 1 | 3G2-1414E-56 | 7 - 12 | 8F3-15714-01 | 10 - 3 | 83R-18116-00 | 28 - 44 | 4XV-2341B-00 | 31 - 8 | 8AC-2414B-01 | 30 - 4 |
| 8AC-1262A-E0 | 3 - 40 | 193-1414F-00 | 7 - 16 | 8F3-15715-00 | 10 - 6 | 89N-18130-01 | 28 - 10 | 8AC-23711-00 | 16 - 1 | 83R-2419A-00 | 34 - 29 |
| 8AC-1262A-R1 | 3 - 40 | 802-14161-00 | 7 - 27 | 8G5-15716-00 | 10 - 15 | 83R-18150-00 | 28 - 24 | 8JD-23711-00 | 16 - 12 | 84M-24327-00 | 14 - 14 |
| 8Y0-12637-02 | 3 - 35 | 8A7-14169-00 | 7 - 24 | 8F3-15716-03 | 10 - 9 | 83R-18153-00 | 28 - 30 | 8DM-23712-00 | 16 - 3 | | 19 - 32 |
| 8H8-12651-02 | 3 - 23 | 8G8-14171-00 | 7 - 15 | 8H8-15723-01 | 10 - 18 | 3X3-18156-10 | 28 - 45 | 8JD-23731-00 | 16 - 14 | 81E-24328-00 | 19 - 29 |
| 8H8-12652-00 | 3 - 33 | 8G8-14174-00 | 7 - 13 | 8F3-15734-00 | 10 - 8 | 3X3-18157-10 | 28 - 40 | 8EN-23731-01 | 16 - 8 | 83R-24335-00 | 19 - 13 |
| 8H8-12658-00 | 3 - 25 | 8U9-14174-00 | 7 - 13 | 8G5-15739-00 | 10 - 12 | 83R-1815A-00 | 28 - 26 | 8HG-23737-00 | 16 - 6 | 813-24336-00 | 19 - 17 |
| 8Y0-12658-00 | 3 - 3 | 8JD-1417E-00 | 32 - 5 | 8F3-15739-01 | 10 - 7 | 59V-18174-00 | 28 - 27 | 88T-23743-00 | 16 - 17 | 801-24376-00 | 14 - 6 |
| 8H8-12659-00 | 3 - 26 | 8X0-14184-00 | 7 - 20 | 8F3-15741-01 | 10 - 4 | 83R-18341-00 | 28 - 31 | 83R-23754-00 | 16 - 2 | 82M-24376-00 | 19 - 19 |
| 8H8-12669-00 | 3 - 27 | 8M6-14185-00 | 7 - 10 | 8F3-15751-00 | 10 - 13 | 59V-18433-00 | 28 - 37 | 8JD-23754-00 | 16 - 13 | 878-24379-00 | 19 - 33 |
| 8V8-12678-00 | 3 - 28 | 88V-14186-00 | 7 - 9 | 8F3-15755-00 | 10 - 14 | 83R-18511-00 | 27 - 37 | 8HG-23755-00 | 16 - 4 | 8AT-24410-00 | 6 - 30 |
| 8AT-12679-00 | 3 - 30 | 8M6-14186-00 | 7 - 9 | 83R-17121-00 | 27 - 6 | 83R-18531-00 | 27 - 38 | 8HG-23756-00 | 16 - 5 | 89A-24529-00 | 7 - 28 |
| 8Y0-12679-00 | 3 - 2 | 83R-14190-15 | 7 - 8 | 8AT-17131-00 | 27 - 11 | 89N-18540-00 | 28 - 2 | 8AC-23765-00 | 16 - 16 | 8H5-24560-00 | 19 - 15 |
| 8Y0-12687-02 | 3 - 36 | 214-14195-00 | 7 - 7 | 8AT-17141-00 | 27 - 19 | 59V-18561-00 | 28 - 29 | 83R-23768-00 | 25 - 2 | 8W6-24613-00 | 19 - 2 |
| 8AT-13101-00 | 4 - 1 | 866-13198-00 | 7 - 6 | 83R-17143-00 | 27 - 26 | 8H8-21411-01 | 13 - 1 | 84M-2376E-00 | 16 - 54 | 813-24613-01 | 19 - 3 |
| 8Y0-13116-01 | 4 - 17 | 620-14211-00 | 7 - 3 | 83R-17151-00 | 27 - 20 | 8AT-21417-00 | 13 - 15 | 8AT-2376J-00 | 16 - 32 | 83M-24628-00 | 19 - 8 |
| 8K4-13119-00 | 5 - 18 | 3DM-14216-00 | 7 - 31 | 83R-17153-00 | 27 - 36 | 8H8-21418-01 | 13 - 16 | 8L0-2376R-00 | 16 - 33 | 8F7-24641-00 | 19 - 4 |
| 137-13137-00 | 4 - 11 | 80L-14227-00 | 7 - 25 | 83R-17243-00 | 27 - 35 | 83R-21419-01 | 13 - 2 | 8KA-23777-00 | 16 - 24 | 8AC-2470F-00 | 20 - 2 |
| 137-13138-01 | 4 - 10 | 3G2-14231-27 | 7 - 12 | 85R-17421-00 | 27 - 2 | 8H8-21427-00 | 13 - 17 | 8HG-23778-00 | 16 - 7 | 85R-2471A-00 | 15 - 62 |
| 8A5-13146-01 | 4 - 19 | 3G2-14231-28 | 7 - 12 | 83R-17431-00 | 27 - 17 | 8H8-21429-01 | 13 - 3 | 82M-23779-00 | 16 - 29 | 83R-24729-00 | 20 - 3 |
| 137-13148-00 | 5 - 7 | 3G2-14231-77 | 7 - 12 | 83R-17432-01 | 27 - 31 | 8V9-21485-00 | 13 - 5 | 84M-2377E-00 | 16 - 55 | 8AC-24730-01 | 20 - 1 |

NUMERICAL INDEX

| PART NO. | REF. NO. | PART NO. | REF. NO. | PART NO. | REF. NO. | PART NO. | REF. NO. | PART NO. | REF. NO. | PART NO. | REF. NO. |
|--------------|----------|--------------|----------|-----------------|----------|--------------|----------|--------------|----------|--------------|----------|
| 8AT-24778-00 | 20 - 5 | 8KA-47333-00 | 25 - 11 | 85R-47544-01 | 28 - 17 | 8JN-77196-00 | 29 - 69 | 87A-77743-00 | 34 - 4 | 89L-82318-00 | 40 - 26 |
| 8AC-24790-10 | 20 - 7 | 83R-47335-00 | 25 - 3 | 8KA-47548-00 | 27 - 49 | 86V-77210-10 | 31 - 1 | 87A-77745-00 | 34 - 7 | 8AC-82355-00 | 41 - 37 |
| 4KN-24877-C0 | 33 - 15 | 83R-47337-10 | 25 - 1 | 8AC-47550-00 | 23 - 17 | 83R-77212-00 | 29 - 47 | 8AC-77761-00 | 34 - 8 | 8AC-8235W-00 | 41 - 23 |
| 8FM-24897-11 | 33 - 15 | 8KA-47341-00 | 24 - 4 | 8KA-47550-00 | 23 - 59 | 87S-77213-10 | 31 - 2 | 8AC-77761-10 | 34 - 8 | 861-82361-00 | 41 - 4 |
| 87R-25721-00 | 21 - 10 | 8KA-47349-00 | 24 - 25 | 83R-47551-00 | 26 - 5 | 8AC-77231-40 | 29 - 46 | 8AC-77761-R1 | 34 - 8 | 8K1-82370-20 | 41 - 5 |
| 87R-25722-00 | 21 - 13 | 8JD-47365-00 | 23 - 18 | 83R-47571-00 | 28 - 13 | 8AC-77231-80 | 29 - 46 | 86D-77762-00 | 32 - 3 | 8G5-82372-00 | 41 - 6 |
| 87R-25726-01 | 21 - 4 | 8KA-47416-00 | 24 - 28 | 8KA-47573-00 | 23 - 11 | 83R-77241-00 | 29 - 43 | 8BD-77762-21 | 32 - 3 | 8AC-82509-10 | 43 - 4 |
| 87R-25730-01 | 21 - 2 | 8JD-47417-00 | 24 - 57 | 8K4-47577-00 | 26 - 2 | 86V-77251-01 | 29 - 50 | 8AC-77762-R1 | 32 - 3 | 8K1-82510-20 | 41 - 9 |
| 86M-25733-00 | 21 - 14 | 8GP-47419-00 | 23 - 47 | 8JD-47578-00 | 28 - 47 | 87R-77251-01 | 29 - 50 | 8JN-77764-R0 | 29 - 71 | 8R4-8252V-00 | 40 - 8 |
| 86M-25738-00 | 21 - 3 | 8ES-47419-10 | 23 - 33 | 88N-47591-00 | 28 - 18 | 8AT-77261-00 | 29 - 3 | 81L-81313-M0 | 35 - 4 | 88R-82530-00 | 40 - 11 |
| 87R-25743-00 | 21 - 12 | 8ES-47419-20 | 23 - 27 | 85R-47592-00 | 28 - 22 | 8AT-77264-00 | 29 - 5 | 81L-81314-M0 | 35 - 5 | 4KD-82540-00 | 41 - 40 |
| 86M-25744-00 | 21 - 16 | 8KA-4741A-00 | 23 - 1 | 8FA-47612-00 | 27 - 42 | 8AT-77265-00 | 29 - 6 | 8BB-81800-01 | 36 - 1 | 8H8-82550-01 | 40 - 23 |
| 86M-25771-00 | 21 - 7 | 8JD-47421-01 | 23 - 2 | 83R-47613-00 | 27 - 39 | 8AT-77266-00 | 29 - 7 | 73A-81811-00 | 36 - 4 | 8H7-82552-01 | 40 - 25 |
| 86M-25772-00 | 21 - 8 | 8GL-47422-00 | 23 - 4 | 88N-47631-00 | 12 - 12 | 8AT-77267-00 | 29 - 8 | 84N-81812-00 | 36 - 10 | 8H8-82557-00 | 40 - 24 |
| 86M-25773-00 | 21 - 6 | 8GL-47445-00 | 24 - 50 | 8JD-47700-00 | 37 - 14 | 8JD-77268-00 | 29 - 4 | 8L6-81813-50 | 36 - 11 | 8AU-82575-09 | 40 - 14 |
| 89J-25811-00 | 21 - 18 | 8ET-47446-00 | 23 - 34 | 8K4-47715-00 | 37 - 15 | 8AT-77271-00 | 15 - 46 | 84N-81826-00 | 36 - 14 | 526-82579-00 | 41 - 10 |
| 86M-25818-00 | 21 - 9 | 8KA-47446-00 | 25 - 4 | 8AC-77111-B0-P2 | 29 - 1 | 8JD-77272-01 | 15 - 42 | 73A-81829-00 | 36 - 8 | 8KA-82590-00 | 41 - 18 |
| 86M-25826-00 | 21 - 11 | 8ES-47447-00 | 24 - 42 | 8AC-77111-B0-P5 | 29 - 1 | 8AT-77273-10 | 15 - 47 | 73A-81829-50 | 36 - 5 | 8Y0-82599-00 | 35 - 12 |
| 86M-25827-00 | 21 - 5 | 8KA-47448-00 | 24 - 44 | 83R-77118-01 | 29 - 61 | 8AT-77274-00 | 15 - 48 | 84N-81832-51 | 36 - 3 | 87S-8259A-01 | 7 - 29 |
| 83R-25831-00 | 21 - 1 | 8ES-47456-00 | 23 - 7 | 8AC-7711A-50 | 30 - 2 | 8AT-77275-00 | 15 - 49 | 8L6-81833-50 | 36 - 19 | 8AU-82720-02 | 40 - 12 |
| 86M-25833-00 | 21 - 15 | 8AC-47457-00 | 23 - 10 | 8AC-7711A-70 | 30 - 2 | 8AT-77311-00 | 32 - 1 | 8L6-81834-50 | 36 - 13 | 8JD-82917-00 | 41 - 14 |
| 89J-25911-00 | 21 - 19 | 8AX-47458-00 | 23 - 12 | 8AC-7711B-50 | 30 - 3 | 8AT-77319-00 | 32 - 4 | 8L6-81835-50 | 36 - 18 | 8AU-82970-02 | 40 - 16 |
| 8DX-26240-01 | 22 - 8 | 8K2-47458-01 | 23 - 8 | 8AC-7711B-70 | 30 - 3 | 83R-77327-00 | 32 - 2 | 8BB-81836-00 | 36 - 16 | 3MX-83371-11 | 43 - 2 |
| 8E1-26280-00 | 44 - 2 | 8KA-47465-00 | 24 - 2 | 8AT-77121-00 | 29 - 16 | 86V-77384-00 | 20 - 4 | 8L6-81840-50 | 36 - 9 | 87L-83383-01 | 41 - 11 |
| 8E1-26290-00 | 44 - 3 | 8ES-47467-00 | 24 - 54 | 8AT-77122-00 | 29 - 17 | 8JN-77511-00 | 33 - 1 | 4H7-81843-50 | 36 - 17 | 8JD-833A0-00 | 43 - 1 |
| 8KA-26311-00 | 22 - 1 | 83R-47469-10 | 23 - 50 | 83R-77125-00 | 29 - 25 | 8JN-77513-00 | 33 - 2 | 4H7-81844-50 | 36 - 12 | 85L-83509-00 | 37 - 10 |
| 8L8-26320-04 | 4 - 21 | 8KA-47473-00 | 24 - 51 | 8AT-77125-00 | 29 - 9 | 83R-77515-00 | 29 - 35 | 73A-81847-00 | 36 - 6 | | 37 - 10 |
| 8U9-26325-00 | 22 - 6 | 8KA-47474-00 | 24 - 52 | 83R-77131-01 | 34 - 13 | 8AT-77526-00 | 15 - 22 | 8L6-81847-50 | 36 - 15 | 86V-83510-20 | 37 - 1 |
| 83R-26331-01 | 22 - 4 | 8KA-47475-00 | 24 - 49 | 83R-77132-01 | 34 - 14 | 8AT-77527-02 | 15 - 19 | 8Y3-81850-50 | 36 - 2 | 4R0-83517-00 | 37 - 3 |
| 8G8-26333-00 | 22 - 5 | 8DM-47479-00 | 23 - 61 | 83R-77140-01 | 29 - 20 | 8JD-77531-00 | 33 - 17 | 8BB-8185A-00 | 36 - 20 | | 37 - 11 |
| 8KA-26340-00 | 22 - 3 | 8KA-47480-00 | 24 - 32 | 83R-77144-00 | 29 - 42 | 8JD-77532-00 | 33 - 18 | 4H7-81872-00 | 36 - 7 | | 37 - 11 |
| 85R-2639F-00 | 15 - 63 | 8KA-47481-00 | 24 - 19 | | 34 - 12 | 8AC-77540-00 | 33 - 6 | 82M-81910-A0 | 41 - 15 | 8G6-83523-00 | 37 - 4 |
| 85L-28100-00 | 15 - 72 | 8KE-47481-00 | 24 - 19 | 83R-7714A-01 | 29 - 21 | 8JD-77571-00 | 33 - 16 | 50W-81940-10 | 41 - 29 | 8V7-83536-40 | 37 - 2 |
| 4B5-2815K-20 | 31 - 6 | 83R-47485-02 | 24 - 10 | 8AT-77153-00 | 29 - 12 | 8JD-77577-00 | 15 - 20 | 8AC-81970-00 | 41 - 27 | 85L-83540-00 | 37 - 9 |
| 8AC-2815P-J0 | 29 - 63 | | 24 - 58 | 8AT-77154-00 | 29 - 13 | 8JN-77588-00 | 29 - 70 | 5E3-82110-81 | 41 - 22 | | 37 - 9 |
| 8AC-2815P-S0 | 29 - 63 | | 25 - 13 | 838-77159-00 | 29 - 62 | 80M-77591-00 | 33 - 24 | 8R4-82113-00 | 40 - 4 | 8H4-83560-00 | 37 - 8 |
| 8HF-2817S-00 | 33 - 28 | 8JD-47486-00 | 24 - 6 | 8JE-7715A-00 | 30 - 5 | 84R-77592-00 | 33 - 12 | 88N-82115-00 | 41 - 31 | 8K1-83603-00 | 37 - 7 |
| 8GS-2817S-J0 | 33 - 28 | 8JD-47488-00 | 24 - 55 | 8CR-77165-00 | 15 - 50 | 83R-77595-00 | 33 - 21 | 88N-82116-00 | 36 - 23 | 85G-83663-00 | 40 - 20 |
| 8JD-47110-01 | 23 - 14 | 8KA-47494-00 | 24 - 34 | 8JN-77171-00 | 29 - 56 | 86V-77711-00 | 34 - 1 | 83R-82117-01 | 36 - 22 | 8H8-83912-00 | 40 - 2 |
| 8HR-47113-09 | 23 - 15 | 8HR-47495-00 | 24 - 15 | 8M6-77175-00 | 15 - 39 | 83R-77712-00 | 34 - 22 | 84N-82122-00 | 41 - 32 | 802-83913-00 | 40 - 7 |
| 8HR-47115-09 | 23 - 16 | 8JH-47496-00 | 23 - 22 | 83R-7717E-00 | 15 - 53 | 83R-77728-00 | 34 - 24 | 4J2-82131-01 | 15 - 3 | 8R6-83928-00 | 40 - 15 |
| 8KA-47310-00 | 23 - 28 | 8KE-47496-00 | 23 - 22 | 8JD-7717E-00 | 29 - 33 | 83R-77731-00 | 34 - 20 | 8Y7-82133-00 | 41 - 34 | 437-83936-01 | 22 - 9 |
| | 23 - 36 | 8JN-47520-00 | 23 - 49 | 83R-7717F-00 | 15 - 54 | 83R-77740-00 | 34 - 23 | 8AC-82136-10 | 41 - 33 | | 38 - 19 |
| | | | 23 - 55 | 8JD-7717F-00 | 29 - 34 | 83R-77741-00 | 34 - 9 | 8BE-82150-00 | 41 - 25 | | 43 - 7 |
| 8HP-47310-10 | 23 - 51 | | 26 - 3 | 83R-77185-00 | 29 - 24 | 87A-77741-00 | 34 - 6 | 42X-82151-00 | 41 - 26 | 8K4-83950-01 | 40 - 10 |
| 8GP-47319-00 | 23 - 44 | 8JD-47531-00 | 26 - 4 | 83R-77186-00 | 29 - 38 | 8V0-77741-20 | 34 - 2 | 5JJ-82151-50 | 43 - 5 | 8JN-83955-00 | 42 - 5 |
| 8AC-47320-00 | 23 - 41 | 87R-47541-00 | 28 - 1 | 83R-77194-00 | 29 - 32 | 87A-77742-00 | 34 - 5 | 88T-82310-01 | 41 - 1 | 85G-83956-00 | 40 - 21 |
| 8KA-47331-00 | 24 - 1 | 83R-47543-00 | 27 - 1 | 8AT-77196-00 | 29 - 68 | 8U9-77742-00 | 34 - 3 | 87L-82318-00 | 41 - 39 | 8AU-83963-00 | 40 - 13 |

NUMERICAL INDEX

| PART NO. | REF. NO. | PART NO. | REF. NO. | PART NO. | REF. NO. | PART NO. | REF. NO. | PART NO. | REF. NO. | PART NO. | REF. NO. |
|--------------|----------|-------------|----------|-------------|----------|-------------|----------|-------------|----------|-------------|----------|
| 8FR-83976-02 | 43 - 3 | 90105-05644 | 11 - 6 | 90185-08054 | 17 - 12 | 90201-107G8 | 13 - 10 | 90261-06015 | 11 - 24 | 90386-09001 | 11 - 20 |
| 88T-8399F-00 | 40 - 22 | | 11 - 12 | 90185-10085 | 17 - 29 | 90201-12047 | 24 - 48 | 90261-06019 | 11 - 24 | 90386-16001 | 24 - 35 |
| 498-84145-60 | 38 - 8 | | 45 - 6 | 90185-12058 | 25 - 7 | 90201-12178 | 25 - 10 | 90261-06033 | 11 - 24 | 90387-0514T | 11 - 5 |
| 498-84163-60 | 38 - 10 | | 46 - 4 | 90201-04027 | 15 - 17 | 90201-12317 | 13 - 12 | 90267-40029 | 15 - 23 | | 45 - 5 |
| 498-84164-60 | 38 - 9 | 90105-06405 | 28 - 5 | | 15 - 52 | 90201-12426 | 25 - 6 | 90267-40172 | 15 - 66 | 90387-0514U | 11 - 11 |
| 84R-8430A-A0 | 38 - 1 | 90105-06437 | 20 - 8 | 90201-042E0 | 15 - 67 | 90201-144J2 | 28 - 33 | 90267-47186 | 15 - 69 | | 45 - 11 |
| 83R-8430A-G0 | 38 - 1 | 90105-08364 | 17 - 7 | 90201-043H5 | 15 - 26 | 90201-171J5 | 27 - 30 | | 43 - 10 | | 46 - 3 |
| 83R-8430M-00 | 38 - 11 | 90105-08408 | 15 - 29 | 90201-043H7 | 29 - 31 | 90201-17713 | 3 - 13 | 90267-48014 | 22 - 10 | 90387-060U0 | 34 - 11 |
| 2F9-84314-00 | 38 - 6 | | 33 - 3 | | 29 - 66 | | 3 - 19 | 90267-48018 | 15 - 16 | 90387-061U9 | 14 - 17 |
| 51L-8431U-00 | 38 - 3 | 90105-10237 | 23 - 48 | 90201-047A2 | 34 - 18 | 90201-20022 | 23 - 53 | | 15 - 51 | 90387-06241 | 29 - 59 |
| 36Y-84324-00 | 38 - 5 | | 24 - 12 | 90201-047R8 | 23 - 6 | | 23 - 58 | | 29 - 18 | 90387-06299 | 35 - 11 |
| 26H-8432M-00 | 38 - 13 | | 24 - 60 | 90201-05029 | 29 - 54 | 90201-20792 | 27 - 16 | 90267-48023 | 15 - 71 | 90387-063W4 | 6 - 31 |
| 51L-84332-00 | 38 - 2 | | 25 - 15 | 90201-05033 | 31 - 5 | | 27 - 28 | 90267-48051 | 15 - 15 | 90387-066N1 | 39 - 9 |
| 51L-84334-00 | 38 - 4 | 90105-10288 | 24 - 38 | 90201-05036 | 43 - 9 | 90201-224L4 | 27 - 8 | 90267-48060 | 15 - 14 | 90387-081R2 | 15 - 11 |
| 36Y-84354-00 | 38 - 16 | 90105-10329 | 24 - 8 | 90201-054K4 | 34 - 26 | | 27 - 14 | | 20 - 6 | 90387-084R1 | 16 - 28 |
| 8JD-84359-00 | 38 - 18 | 90105-10339 | 23 - 24 | 90201-06042 | 29 - 52 | | 27 - 22 | 90267-48079 | 29 - 30 | 90387-09018 | 16 - 9 |
| 36Y-84397-00 | 38 - 7 | 90105-10390 | 24 - 30 | 90201-06043 | 35 - 14 | 90201-225L2 | 27 - 23 | 90267-48086 | 33 - 22 | 90387-10022 | 24 - 7 |
| 8JN-84710-00 | 39 - 1 | | 24 - 39 | 90201-06072 | 28 - 4 | 90201-252F1 | 12 - 17 | 90267-48194 | 23 - 5 | 90387-10023 | 24 - 33 |
| 8K4-84711-01 | 39 - 3 | 90105-10410 | 16 - 18 | 90201-06078 | 29 - 39 | 90201-25526 | 12 - 17 | 90267-48199 | 23 - 9 | 90387-10054 | 24 - 29 |
| 1A2-84714-41 | 39 - 2 | 90105-14003 | 28 - 8 | | 29 - 44 | 90201-25527 | 12 - 17 | | 23 - 13 | 90387-100A4 | 16 - 48 |
| 8AC-84717-01 | 41 - 21 | 90109-065E6 | 6 - 28 | | 29 - 48 | 90201-257G7 | 13 - 9 | 90267-49152 | 15 - 9 | 90387-101A1 | 24 - 36 |
| 8K4-84718-00 | 39 - 7 | 90109-08186 | 24 - 45 | 90201-06081 | 24 - 17 | 90201-257J2 | 12 - 18 | 90269-05039 | 29 - 36 | 90387-101Y9 | 16 - 47 |
| 87M-84723-00 | 39 - 6 | 90109-10030 | 23 - 20 | 90201-063A5 | 15 - 59 | 90201-33299 | 2 - 18 | 90269-05051 | 3 - 37 | 90387-105G5 | 23 - 23 |
| 8K4-84733-01 | 39 - 4 | | 24 - 5 | 90201-064J1 | 28 - 35 | 90201-345G2 | 12 - 6 | 90269-05055 | 34 - 21 | | 24 - 21 |
| 8GM-85110-00 | 42 - 1 | 90113-06039 | 16 - 56 | 90201-06557 | 29 - 58 | 90201-535H6 | 16 - 41 | | 34 - 28 | 90387-106J3 | 16 - 21 |
| | 42 - 3 | | 23 - 19 | 90201-06778 | 15 - 58 | 90201-536A1 | 16 - 41 | 90280-05002 | 2 - 27 | 90387-121E8 | 27 - 41 |
| 3Y6-85130-02 | 42 - 6 | 90116-08104 | 1 - 5 | 90201-067F9 | 16 - 37 | 90202-05088 | 29 - 29 | 90280-05014 | 2 - 24 | 90387-145T7 | 28 - 32 |
| 81L-85520-M0 | 35 - 3 | 90116-08302 | 1 - 13 | 90201-08043 | 16 - 10 | 90202-08204 | 11 - 21 | | 3 - 15 | 90387-19002 | 24 - 13 |
| 8AU-85540-00 | 41 - 7 | 90119-06108 | 3 - 32 | 90201-08053 | 16 - 15 | | 45 - 16 | 90338-21075 | 4 - 2 | 90387-19007 | 24 - 14 |
| 2A7-85546-00 | 41 - 8 | 90122-05022 | 29 - 26 | 90201-080L1 | 16 - 31 | 90202-09227 | 11 - 18 | 90338-30219 | 27 - 55 | 90387-20022 | 23 - 52 |
| 8AT-85550-01 | 35 - 1 | 90149-08230 | 33 - 4 | 90201-08100 | 1 - 8 | | 45 - 15 | 90338-44093 | 15 - 44 | | 23 - 57 |
| 8AT-85560-10 | 35 - 2 | 90151-06010 | 23 - 3 | 90201-08624 | 4 - 14 | | 46 - 7 | 90380-10129 | 13 - 8 | 90387-20023 | 23 - 56 |
| 8R4-85580-M0 | 35 - 6 | 90154-05047 | 31 - 3 | 90201-08759 | 17 - 28 | 90202-14037 | 16 - 52 | 90380-28237 | 11 - 15 | 90387-220X0 | 22 - 11 |
| 8GJ-W176G-02 | 45 - 1 | 90154-06050 | 28 - 19 | 90201-08766 | 38 - 17 | 90206-11016 | 5 - 6 | | 46 - 6 | 90387-226V7 | 27 - 15 |
| 8ET-W176H-00 | 46 - 1 | 90154-06062 | 12 - 4 | 90201-08784 | 19 - 21 | 90208-25045 | 26 - 7 | 90381-14101 | 24 - 20 | 90387-405T8 | 28 - 12 |
| 8JD-W2190-01 | 15 - 1 | 90157-05027 | 40 - 3 | 90201-10043 | 24 - 37 | 90209-24073 | 2 - 11 | 90381-19111 | 24 - 56 | 90430-04004 | 4 - 8 |
| 8E1-W2628-00 | 44 - 1 | 90159-05129 | 35 - 8 | 90201-10051 | 23 - 25 | 90210-10004 | 27 - 46 | | 25 - 14 | 90430-06016 | 27 - 54 |
| 83R-W4751-10 | 26 - 1 | 90159-05130 | 35 - 7 | 90201-10052 | 23 - 46 | 90214-10003 | 23 - 39 | 90381-28108 | 24 - 53 | 90430-14194 | 28 - 9 |
| 8JD-W7726-00 | 29 - 2 | 90170-08261 | 28 - 43 | 90201-10072 | 23 - 21 | 90214-10004 | 23 - 31 | 90383-22001 | 24 - 3 | 90430-31003 | 14 - 5 |
| 88R-W8291-00 | 40 - 1 | 90170-10186 | 17 - 18 | | 24 - 9 | 90214-10007 | 24 - 59 | 90384-14091 | 16 - 45 | 90445-092K1 | 6 - 37 |
| 8K4-W8393-00 | 40 - 6 | | 17 - 23 | 90201-100S7 | 16 - 20 | 90214-17017 | 3 - 17 | | 16 - 57 | 90445-095F1 | 19 - 26 |
| 90101-08005 | 17 - 11 | 90170-16425 | 2 - 28 | 90201-10119 | 5 - 17 | 90214-17018 | 3 - 17 | 90384-14096 | 16 - 46 | 90445-114J9 | 19 - 31 |
| 90101-10357 | 27 - 48 | | 3 - 20 | 90201-10126 | 24 - 11 | 90214-29060 | 12 - 7 | 90384-36134 | 15 - 33 | 90445-114K5 | 6 - 40 |
| 90101-27001 | 27 - 50 | 90170-25367 | 26 - 8 | 90201-101U2 | 23 - 29 | 90215-27004 | 27 - 51 | 90384-41242 | 11 - 4 | 90445-115K6 | 19 - 25 |
| 90102-10039 | 16 - 49 | 90176-05059 | 31 - 4 | | 23 - 37 | 90249-03017 | 19 - 11 | | 46 - 2 | 90445-11735 | 6 - 34 |
| 90102-10044 | 17 - 27 | 90176-08063 | 33 - 20 | 90201-10321 | 13 - 11 | 90249-03175 | 19 - 10 | 90384-53175 | 16 - 39 | 90450-99050 | 6 - 18 |
| 90102-10067 | 16 - 50 | 90179-08044 | 1 - 14 | 90201-104A7 | 12 - 20 | 90249-12006 | 25 - 8 | 90384-90081 | 12 - 5 | 90460-56073 | 6 - 15 |
| | 17 - 24 | 90179-08269 | 1 - 7 | 90201-10742 | 25 - 12 | 90249-12216 | 27 - 44 | 90386-08002 | 11 - 23 | 90460-68230 | 6 - 17 |

NUMERICAL INDEX

| PART NO. | REF. NO. | PART NO. | REF. NO. | PART NO. | REF. NO. | PART NO. | REF. NO. | PART NO. | REF. NO. | PART NO. | REF. NO. |
|-------------|----------|-------------|----------|-------------|----------|-------------|----------|-------------|----------|-------------|----------|
| 90461-08113 | 29 - 64 | 90506-06065 | 19 - 14 | 92907-06600 | 10 - 17 | 93310-524K4 | 2 - 13 | 95602-10200 | 23 - 26 | 95802-06016 | 14 - 18 |
| 90461-10011 | 6 - 9 | 90506-20272 | 8 - 4 | | 11 - 17 | 93311-42265 | 27 - 7 | | 23 - 32 | | 34 - 15 |
| 90462-05059 | 15 - 13 | 90507-16045 | 8 - 7 | | 45 - 14 | 93317-22021 | 27 - 27 | | 23 - 40 | 95802-06020 | 41 - 28 |
| 90462-10209 | 14 - 2 | 90507-16046 | 8 - 8 | 92907-08100 | 33 - 9 | 93317-222B2 | 27 - 59 | | 24 - 24 | 95802-06025 | 3 - 39 |
| 90464-13073 | 41 - 20 | 90508-10715 | 19 - 9 | 92907-08200 | 33 - 8 | 93317-32241 | 27 - 13 | | 24 - 31 | 95802-08016 | 18 - 2 |
| 90464-13077 | 41 - 38 | 90508-55012 | 12 - 10 | 92907-08600 | 3 - 5 | | 27 - 21 | | 24 - 40 | 95807-08045 | 33 - 19 |
| 90464-15195 | 19 - 18 | 90793-26072 | 41 - 22 | | 3 - 9 | 93410-25017 | 12 - 19 | 95602-14200 | 23 - 54 | 95812-06035 | 27 - 58 |
| | 41 - 19 | 91312-06025 | 28 - 39 | | 6 - 14 | 93410-52061 | 15 - 41 | | 23 - 60 | 95812-06045 | 27 - 56 |
| 90464-16039 | 4 - 22 | 91401-16025 | 3 - 29 | | 12 - 16 | | 16 - 42 | 95607-05200 | 45 - 7 | 95812-08040 | 28 - 23 |
| 90465-08125 | 15 - 55 | | 3 - 31 | | 33 - 27 | 93430-02001 | 19 - 12 | | 46 - 5 | 95812-10020 | 12 - 21 |
| 90465-08277 | 6 - 8 | 91401-20020 | 16 - 22 | | 38 - 15 | 93440-34170 | 12 - 8 | 95612-08318 | 1 - 11 | | 24 - 26 |
| 90465-08316 | 6 - 32 | | 16 - 53 | 92907-16100 | 2 - 29 | 93440-78069 | 2 - 25 | 95617-08640 | 16 - 59 | 95812-10045 | 13 - 7 |
| | 12 - 22 | 91401-25020 | 17 - 26 | | 3 - 18 | 93450-21053 | 2 - 4 | 95617-08655 | 16 - 58 | | 23 - 45 |
| 90465-08368 | 15 - 12 | 91609-25050 | 19 - 7 | | 11 - 28 | 93503-08007 | 28 - 6 | 95702-04300 | 34 - 19 | | 24 - 22 |
| 90465-10098 | 39 - 8 | 91609-30010 | 2 - 15 | | 45 - 18 | 93505-32002 | 4 - 3 | 95702-05300 | 29 - 55 | 95812-10070 | 24 - 23 |
| 90465-10189 | 22 - 2 | | 22 - 7 | 92990-05100 | 37 - 13 | 93603-22028 | 5 - 9 | | 40 - 5 | 95812-10080 | 23 - 30 |
| 90467-08017 | 14 - 21 | 91609-30016 | 19 - 6 | | 37 - 13 | 93604-07141 | 9 - 3 | 95702-05500 | 42 - 4 | | 23 - 38 |
| 90467-09026 | 6 - 39 | 91609-50032 | 11 - 10 | 92990-06600 | 41 - 3 | 93612-44229 | 27 - 40 | | 42 - 7 | | 24 - 27 |
| | 14 - 9 | | 45 - 10 | 93101-10001 | 5 - 2 | 93700-06004 | 16 - 38 | 95702-06300 | 15 - 60 | 95822-06016 | 41 - 12 |
| | 19 - 24 | 91830-22016 | 9 - 2 | 93102-15212 | 28 - 3 | 94591-63070 | 28 - 11 | | 24 - 18 | | 43 - 6 |
| 90467-11009 | 6 - 42 | 91A20-05065 | 19 - 26 | 93102-20010 | 27 - 34 | 94702-00188 | 1 - 2 | | 29 - 11 | 95822-06030 | 9 - 6 |
| | 19 - 22 | 91A21-05155 | 19 - 27 | 93102-22014 | 27 - 5 | 94709-00188 | 1 - 2 | | 29 - 23 | 95822-08014 | 26 - 9 |
| 90467-11032 | 6 - 36 | 91A30-03042 | 4 - 5 | 93102-36232 | 15 - 34 | 95022-06040 | 5 - 12 | | 29 - 45 | | 33 - 7 |
| | 6 - 41 | 91A30-05004 | 14 - 15 | 93102-46394 | 28 - 16 | 95022-06055 | 5 - 13 | | 29 - 49 | 95822-08016 | 9 - 8 |
| | 14 - 8 | 91A30-05010 | 14 - 10 | 93103-32095 | 2 - 21 | 95301-05600 | 4 - 13 | | 34 - 16 | | 10 - 19 |
| | 19 - 16 | 91A30-05052 | 14 - 19 | 93103-32156 | 2 - 26 | 95301-06700 | 10 - 11 | | 41 - 17 | 95827-06016 | 15 - 18 |
| | 19 - 23 | 91A30-05060 | 14 - 20 | 93103-36117 | 15 - 35 | 95302-05600 | 37 - 5 | | 41 - 36 | 95827-08020 | 33 - 11 |
| 90468-02025 | 4 - 7 | 91A30-05085 | 14 - 12 | 93109-53036 | 16 - 40 | 95302-05700 | 6 - 26 | 95702-06500 | 6 - 33 | | 33 - 13 |
| | 4 - 18 | 91A30-05120 | 14 - 11 | 93210-10010 | 28 - 34 | 95302-06600 | 29 - 41 | | 28 - 36 | 95827-08025 | 33 - 25 |
| 90468-10003 | 29 - 27 | 91A30-07016 | 14 - 13 | 93210-19123 | 28 - 21 | 95302-08600 | 16 - 30 | | 28 - 41 | 95827-08075 | 9 - 4 |
| 90480-10348 | 15 - 61 | 92502-06020 | 29 - 14 | 93210-28763 | 28 - 14 | 95302-10700 | 27 - 47 | | 28 - 46 | 95827-08085 | 9 - 5 |
| 90480-12012 | 34 - 30 | 92901-05100 | 4 - 12 | 93306-00002 | 5 - 15 | 95307-06600 | 36 - 21 | | 29 - 60 | 95827-10050 | 21 - 17 |
| 90480-12314 | 41 - 24 | 92901-06100 | 10 - 10 | 93306-00444 | 23 - 42 | 95307-08800 | 33 - 10 | | 41 - 30 | 97002-06014 | 41 - 16 |
| 90480-15061 | 15 - 45 | 92902-03100 | 6 - 5 | 93306-00507 | 26 - 6 | 95307-10700 | 17 - 17 | 95702-08300 | 16 - 11 | 97002-06025 | 24 - 16 |
| 90480-15268 | 33 - 23 | 92902-05100 | 37 - 6 | 93306-20315 | 3 - 11 | | 17 - 22 | | 16 - 61 | 97007-06010 | 27 - 52 |
| 90480-16501 | 24 - 47 | 92902-05200 | 40 - 9 | 93306-20321 | 27 - 18 | 95312-08600 | 28 - 42 | | 19 - 20 | 97007-06014 | 10 - 16 |
| 90501-02217 | 4 - 4 | 92902-05600 | 6 - 25 | | 27 - 32 | 95380-05600 | 37 - 12 | 95702-08500 | 33 - 5 | 97007-08025 | 6 - 13 |
| 90501-083J9 | 19 - 28 | 92902-06100 | 29 - 40 | 93306-20402 | 27 - 3 | | 37 - 12 | 95702-10300 | 23 - 63 | 97007-08040 | 38 - 14 |
| 90501-084G9 | 6 - 35 | 92902-06200 | 29 - 10 | | 27 - 33 | 95602-05200 | 11 - 7 | 95702-10500 | 13 - 13 | 97017-06030 | 11 - 16 |
| 90501-084J0 | 6 - 38 | 92902-06600 | 28 - 38 | 93306-20582 | 12 - 13 | | 11 - 13 | 95702-12500 | 13 - 14 | | 45 - 13 |
| 90501-101A7 | 28 - 28 | | 29 - 15 | 93306-20617 | 2 - 19 | | 42 - 2 | 95707-04500 | 44 - 5 | 97022-06020 | 16 - 34 |
| 90501-147A6 | 28 - 7 | | 41 - 35 | 93306-20620 | 2 - 20 | 95602-06100 | 14 - 16 | 95707-05300 | 15 - 32 | 97022-06025 | 15 - 57 |
| 90501-20130 | 19 - 5 | 92902-08600 | 3 - 7 | 93306-30627 | 2 - 16 | | 39 - 10 | | 34 - 27 | 97022-08055 | 3 - 6 |
| 90501-380A0 | 25 - 5 | | 16 - 60 | 93306-30628 | 2 - 17 | 95602-06200 | 41 - 13 | 95707-08500 | 1 - 6 | 97027-06025 | 6 - 10 |
| 90501-556G6 | 11 - 25 | 92902-10600 | 23 - 62 | 93306-37206 | 27 - 4 | 95602-08200 | 8 - 3 | 95707-10300 | 16 - 51 | 97027-08020 | 12 - 15 |
| 90501-556G7 | 11 - 25 | 92907-05100 | 4 - 16 | 93306-90802 | 28 - 15 | | 24 - 46 | | 17 - 25 | 97027-08040 | 3 - 4 |
| 90501-606G9 | 11 - 25 | | 29 - 28 | 93310-212R6 | 27 - 43 | | 33 - 14 | 95717-08300 | 33 - 26 | 97027-08075 | 3 - 8 |
| 90501-75612 | 16 - 25 | 92907-06600 | 6 - 11 | 93310-320G0 | 2 - 5 | 95602-10200 | 16 - 19 | 95802-06012 | 15 - 38 | | 3 - 10 |

NUMERICAL INDEX

| PART NO. | REF. NO. | PART NO. | REF. NO. | PART NO. | REF. NO. | PART NO. | REF. NO. | PART NO. | REF. NO. |
|-------------|----------|----------|----------|----------|----------|----------|----------|----------|----------|
| 97607-04108 | 35 - 10 | | | | | | | | |
| 97607-04112 | 35 - 9 | | | | | | | | |
| 97701-40130 | 39 - 5 | | | | | | | | |
| 97702-50016 | 29 - 19 | | | | | | | | |
| | 29 - 65 | | | | | | | | |
| 97706-30620 | 40 - 17 | | | | | | | | |
| 97706-30630 | 40 - 18 | | | | | | | | |
| 97707-40616 | 38 - 12 | | | | | | | | |
| 97880-06020 | 41 - 2 | | | | | | | | |
| 98502-03008 | 6 - 4 | | | | | | | | |
| 98502-05016 | 6 - 24 | | | | | | | | |
| 98502-06010 | 6 - 27 | | | | | | | | |
| 98507-04016 | 44 - 4 | | | | | | | | |
| 98507-04018 | 4 - 20 | | | | | | | | |
| 98507-05016 | 4 - 15 | | | | | | | | |
| 98707-04016 | 34 - 17 | | | | | | | | |
| 98707-05016 | 29 - 53 | | | | | | | | |
| 98902-04020 | 4 - 9 | | | | | | | | |
| 98902-06010 | 14 - 3 | | | | | | | | |
| 98902-06014 | 29 - 37 | | | | | | | | |
| 98902-06025 | 3 - 38 | | | | | | | | |
| 98907-05012 | 29 - 51 | | | | | | | | |
| 98907-05014 | 15 - 31 | | | | | | | | |
| 98907-05016 | 34 - 25 | | | | | | | | |
| 98907-06008 | 27 - 53 | | | | | | | | |
| 98907-06014 | 29 - 22 | | | | | | | | |
| 98907-06016 | 34 - 10 | | | | | | | | |
| | 35 - 13 | | | | | | | | |
| 98907-06025 | 29 - 57 | | | | | | | | |
| 98907-06035 | 15 - 40 | | | | | | | | |
| 99001-04600 | 40 - 19 | | | | | | | | |
| 99009-10400 | 5 - 8 | | | | | | | | |
| 99009-12400 | 25 - 9 | | | | | | | | |
| | 27 - 45 | | | | | | | | |
| 99009-14400 | 24 - 43 | | | | | | | | |
| 99009-20400 | 27 - 29 | | | | | | | | |
| 99009-22400 | 27 - 9 | | | | | | | | |
| | 27 - 24 | | | | | | | | |
| 99009-35400 | 23 - 35 | | | | | | | | |
| 99009-40500 | 3 - 12 | | | | | | | | |
| 99009-42500 | 23 - 43 | | | | | | | | |
| 99009-52500 | 12 - 14 | | | | | | | | |
| 99246-00080 | 3 - 24 | | | | | | | | |
| 99246-00120 | 31 - 7 | | | | | | | | |
| 99246-00280 | 30 - 1 | | | | | | | | |
| 99530-08016 | 5 - 11 | | | | | | | | |
| 99530-10114 | 27 - 57 | | | | | | | | |