

PARTS CATALOGUE

VK540EE (8JD2) EUROPE

VK540E (8JD2) RUSSIAN FEDERATION

VK540IV (8JD2) JAPAN

VK540EE
VK540E/VK540IV
PARTS CATALOGUE
©2013 by Yamaha Motor Co., Ltd.
1st edition, April 2013
All rights reserved.
Any reprinting or unauthorized use
without the written permission of
Yamaha Motor Co., Ltd.
is expressly prohibited.
Printed in Japan.

FOREWORD

This Parts Catalogue is related to the parts for the model(s) on the cover page. When you are ordering replacement parts, please refer to this Parts Catalogue and quote both part numbers and part names correctly.

1. Modifications or additions which have been made after the issue of the Parts Catalogue will be announced in the Parts News.

It is advisable that you make the necessary corrections to the Parts Catalogue according to the Parts News.

2. Abbreviations

The following abbreviations are used in this Parts Catalogue.

“UR” Use specified parts number.

“UN” Use as many as needed.

“AP” Alternate Parts

“LM” Locally Made (Parts need to be ordered locally)

“F#” Frame No. (Applicable machine No.)

“O/S” Over Size

3. The number of components for assembly

- Parts, which are to be supplied in an assembly, are listed with a dot (.) in front of the part name as shown below.
- The numeral appearing to the right of each component part indicates the quantity of parts for each assembly unit.

PART NO.	DESCRIPTION	Q'TY	REMARKS
2F5-83310-60	FRONT FLASHER LIGHT ASSY	2	
115-83311-60	.BULB (6V-18W)	1	

4. Applicable colours of graphics are represented in the “REMARKS” as shown below.

PART NO.	DESCRIPTION	Q'TY	REMARKS
2N4-24110-00-X5	FUEL TANK COMP.	2	MXR
3J1-24240-10	.GRAPHIC, FUEL TANK	1	FOR MXR

5. Note that the illustrations for reference in finding parts numbers are not to be used for assembling. When assembling, please use the applicable service manual.

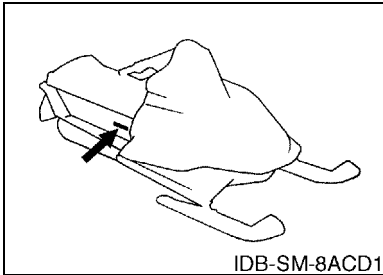
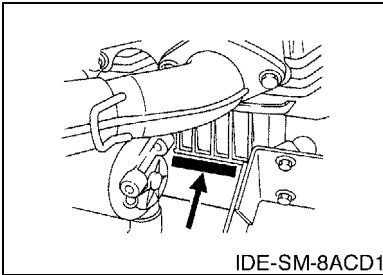
6. The asterisk (*) before a reference number indicates modified items after the first edition.

FOREWORD

7. Applicable Serial No.

Engine Serial No.

Frame Serial No.



10. Applicable Starting Serial No.

Frame Serial No.

Serial No.	Name Of Q'ty Column	Model Code
JYE8JD001EA019868	EUR	8JD2
JYE8JD001EA019868	RUS	8JD2
JYE8JD001EA019868	JPN	8JD2

8. Applicable Colour Code (The (*) mark shows Model colour.)

Abbreviation	Colour Name	Colour Code
S3(*)	SILVER 3	0791
SMX(*)	BLACK METALLIC X	0903

9. Quantity Column Information

Column No.	Name Of Q'ty Column	Destination
1	EUR	EUROPE
2	RUS	RUSSIAN FEDERATION
3	JPN	JAPAN

CONTENTS

ENGINE

CYLINDER HEAD	1
CRANKSHAFT & PISTON	2
AIR SHROUD & FAN	4
OIL PUMP	6
PUMP DRIVE GEAR	7
INTAKE	8
CARBURETOR	10
EXHAUST	12
CRANKCASE	13
STARTER	14

DRIVE

PRIMARY SHEAVE	15
SECONDARY SHEAVE	17

BODY

ENGINE BRACKET	18
OIL TANK	19
FRAME	20
SKI	23
STEERING	25
STEERING GATE	27
FUEL TANK	28
SEAT	30
BRAKE	31
CONTROL CABLE	32
TRACK SUSPENSION 1	33
TRACK SUSPENSION 2	36
TRACK SUSPENSION 3	39
TRACK DRIVE 1	41
TRACK DRIVE 2	42
TRACK DRIVE 3	45
SHROUD	47
EMBLEM	50
WINDSHIELD	51
GUARD & LUGGAGE BOX	52
BUMPER	53
INSTRUMENT PANEL	55

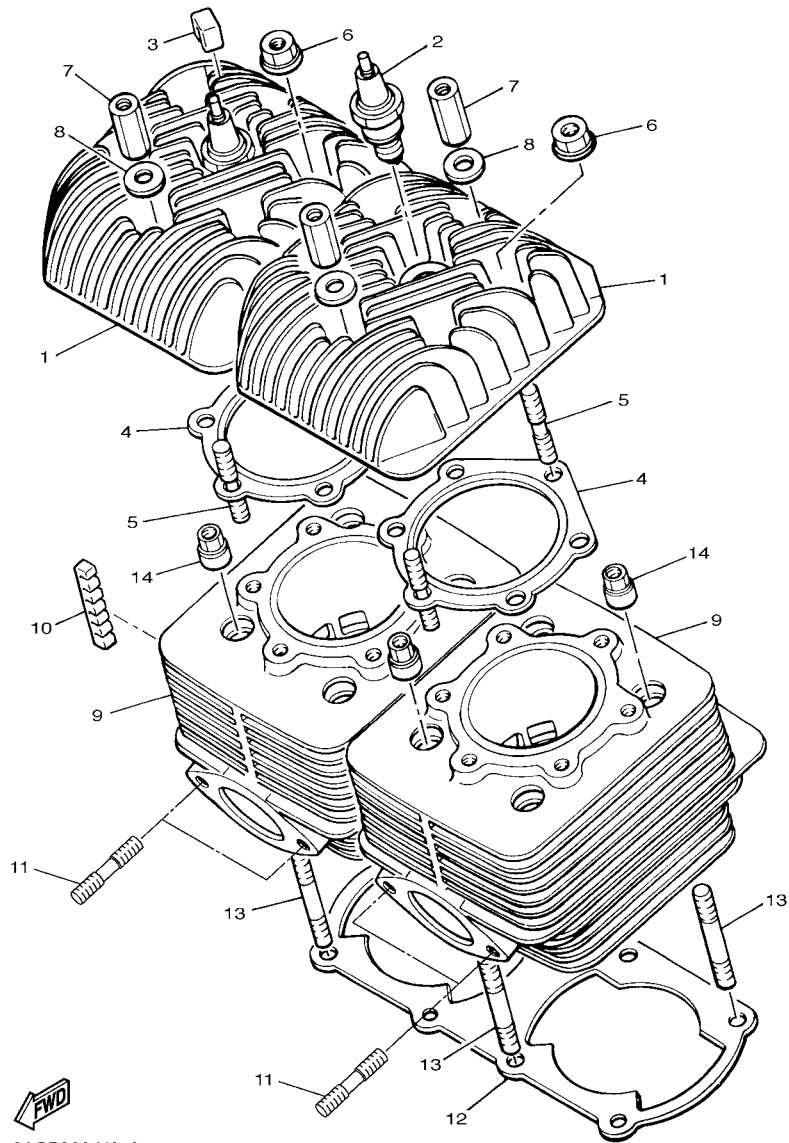
ELECTRICAL

GENERATOR	57
-----------------	----

STARTING MOTOR	58
METER	59
HEADLIGHT	60
TAILLIGHT	61
HANDLE SWITCH & LEVER	62
ELECTRICAL 1	63
ELECTRICAL 2	65
ELECTRICAL 3	66
ALTERNATE REAR VIEW MIRROR	67
ALTERNATE REBUILD KIT	68
ALTERNATE CLUTCH TUNE UP KIT	69

INDEX

NUMERICAL INDEX	70
-----------------------	----



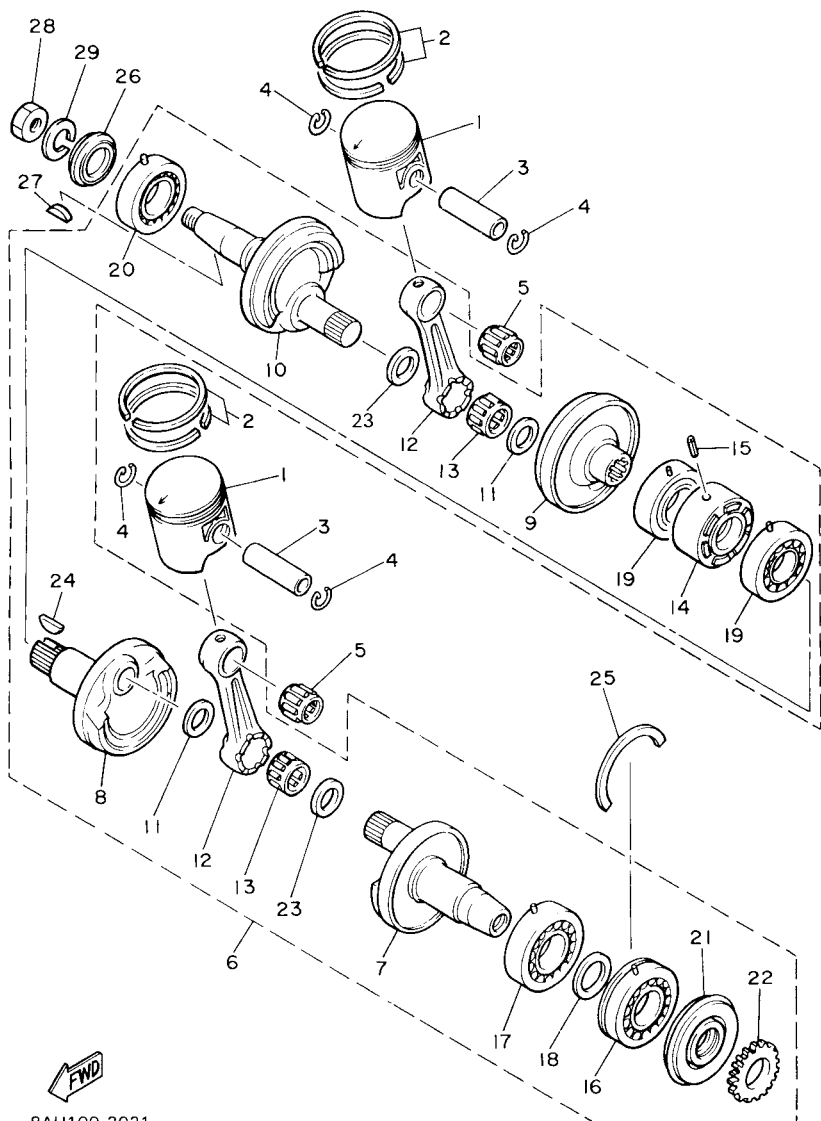
8ACP300-H010

FIG. 1 CYLINDER HEAD

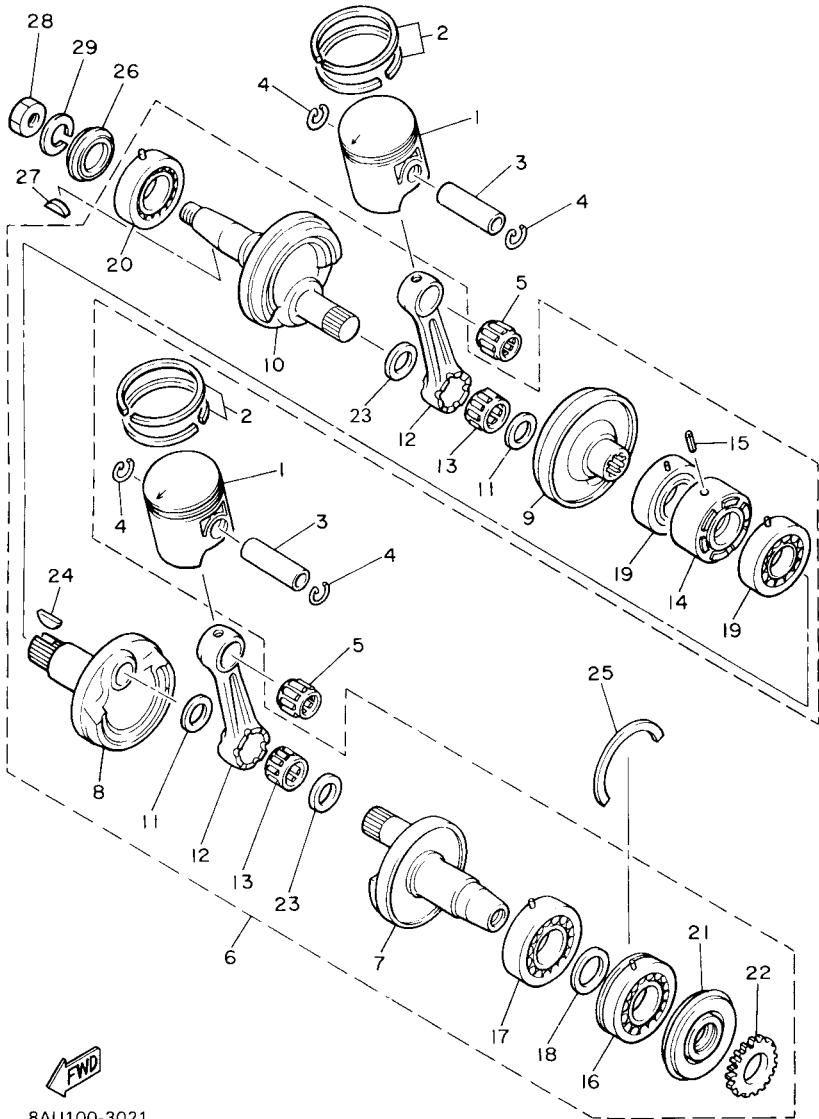
REF. NO.	PART NO.	DESCRIPTION	EUR	RUS	JPN	REMARKS
1	8R6-11111-00	HEAD, CYLINDER 1	2	2	2	
2	94702-00188	PLUG, SPARK (NGK BR9ES)	2	2		
	94709-00188	PLUG, SPARK (NGK BR9ES)			2	
3	83R-11161-00	ABSORBER 1	12	12	12	
4	83R-11181-00	GASKET, CYLINDER HEAD 1	2	2	2	
5	90116-08104	BOLT, STUD	12	12	12	
6	95707-08500	NUT, FLANGE	8	8	8	
7	90179-08269	NUT	4	4	4	
8	90201-08100	WASHER, PLATE	4	4	4	
9	83R-11311-00	CYLINDER 1	2	2	2	
10	83R-11162-00	ABSORBER 2	8	8	8	
11	95612-08318	BOLT, STUD	4	4	4	
12	89N-11351-00	GASKET, CYLINDER	1	1	1	
13	90116-08302	BOLT, STUD	8	8	8	
14	90179-08268	NUT	8	8	8	

FIG. 2 CRANKSHAFT & PISTON

REF. NO.	PART NO.	DESCRIPTION	EUR	RUS	JPN	REMARKS
1	8R6-11631-00-95	PISTON (STD)	2	2	2	
	8R6-11635-00	PISTON (0.25MM O/S)	2	2	2	AP
	8R6-11636-00	PISTON (0.50MM O/S)	2	2	2	AP
2	8R6-11601-00	PISTON RING SET (STD)	2	2	2	
	8R6-11601-10	PISTON RING SET (0.25MM O/S)	2	2	2	AP
	8R6-11601-20	PISTON RING SET (0.50MM O/S)	2	2	2	AP
3	8H8-11633-00	PIN, PISTON	2	2	2	
4	93450-21053	CIRCLIP	4	4	4	
5	93310-320G0	BEARING	2	2	2	
6	8AT-11400-01	CRANKSHAFT ASSY	1	1	1	
7	83R-11412-01	.CRANK 1	1	1	1	
8	8H8-11422-01	.CRANK 2	1	1	1	
9	8H8-11432-01	.CRANK 3	1	1	1	
10	8AT-11442-00	.CRANK 4	1	1	1	
11	90209-24073	.WASHER	2	2	2	
12	8R6-11651-00	.ROD, CONNECTING	2	2	2	
13	93310-524K4	.BEARING	2	2	2	
14	8H8-11515-00	.SEAL, LABYRINTH 1	1	1	1	
15	91609-30010	.PIN, SPRING	1	1	1	
16	93306-30627	.BEARING	1	1	1	
17	93306-30628	.BEARING	1	1	1	
18	90201-33299	.WASHER, PLATE	1	1	1	
19	93306-20617	.BEARING	2	2	2	
20	93306-20620	.BEARING	1	1	1	
21	93103-32095	.OIL SEAL	1	1	1	
22	8K2-13178-00	.GEAR, PUMP DRIVE	1	1	1	
23	8A7-11685-00	.WASHER, CRANK PIN	2	2	2	



FWD
8AU100-3021



 8AU100-3021

FIG. 2 CRANKSHAFT & PISTON

REF. NO.	PART NO.	DESCRIPTION	EUR	RUS	JPN	REMARKS
24	90280-05014	.KEY, WOODRUFF	1	1	1	
25	93440-78069	CIRCLIP	1	1	1	
26	93103-32156	OIL SEAL	1	1	1	
27	90280-05002	KEY, WOODRUFF	1	1	1	
28	90170-16425	NUT	1	1	1	
29	92907-16100	WASHER	1	1	1	

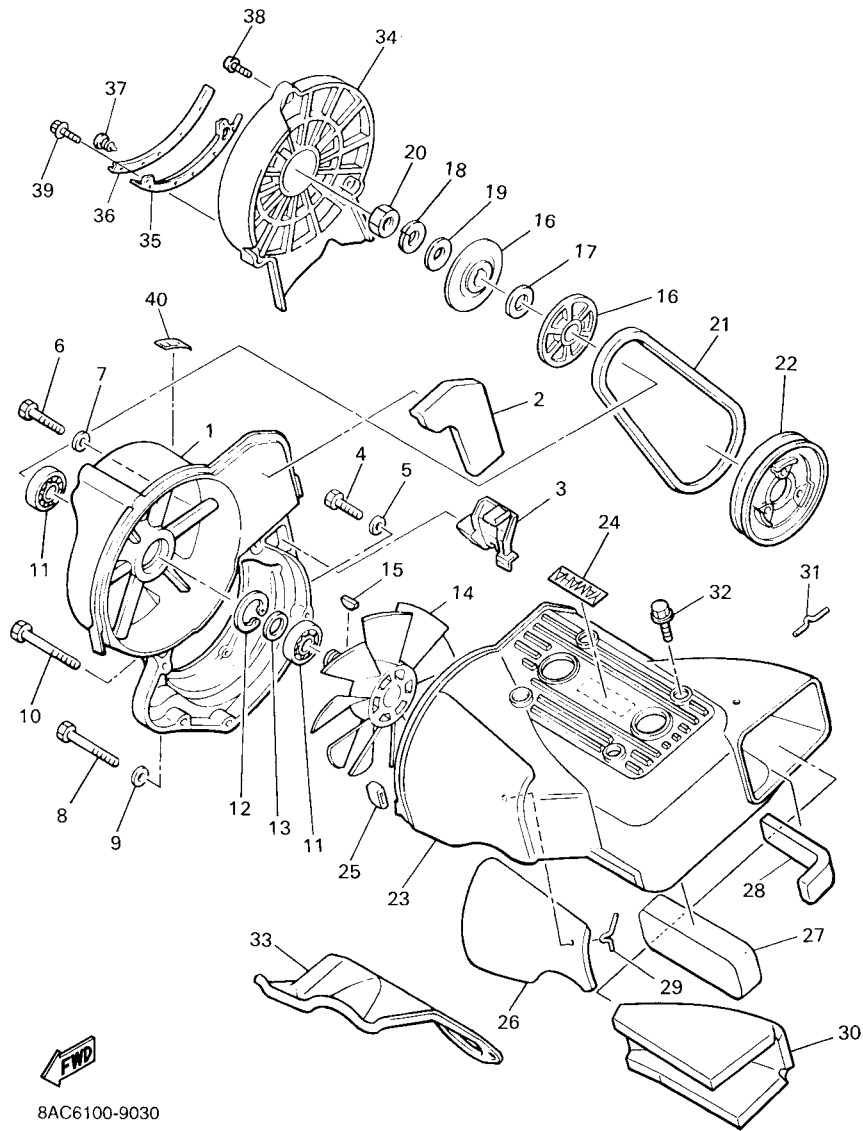


FIG. 3 AIR SHROUD & FAN

REF. NO.	PART NO.	DESCRIPTION	EUR	RUS	JPN	REMARKS
1	88F-12621-02	CASE, FAN	1	1	1	
2	8Y0-12679-00	DAMPER, SHROUD 6	1	1	1	
3	8Y0-12658-00	DAMPER, AIR SHROUD 1	1	1	1	
4	97027-08040	BOLT, HEXAGON	2	2	2	
5	92907-08600	WASHER, PLATE	2	2	2	
6	97022-08055	BOLT, HEXAGON	1	1	1	
7	92902-08600	WASHER, PLATE	1	1	1	
8	97027-08075	BOLT, HEXAGON	1	1	1	
9	92907-08600	WASHER, PLATE	1	1	1	
10	97027-08075	BOLT, HEXAGON	1	1	1	
11	93306-20315	BEARING	2	2	2	
12	99009-40500	CIRCLIP	1	1	1	
13	90201-17713	WASHER, PLATE	1	1	1	
14	8H8-12611-01	FAN	1	1	1	
15	90280-05014	KEY, WOODRUFF	1	1	1	
16	8H8-12619-01	PULLEY 2	2	2	2	
17	90214-17017	WASHER, CLAW (0.5T)	1	1	1	UR UN
	90214-17018	WASHER, CLAW (1.0T)	1	1	1	UR UN
18	92907-16100	WASHER	1	1	1	
19	90201-17713	WASHER, PLATE	1	1	1	
20	90170-16425	NUT	1	1	1	
21	8H8-12612-00	BELT	1	1	1	
22	8H8-12618-01	PULLEY 1	1	1	1	
23	8H8-12651-02	AIR SHROUD, CYLINDER 1	1	1	1	
24	99246-00080	EMBLEM, YAMAHA	1	1	1	
25	8H8-12658-00	DAMPER, AIR SHROUD 1	2	2	2	
26	8H8-12659-00	DAMPER, AIR SHROUD 2	1	1	1	

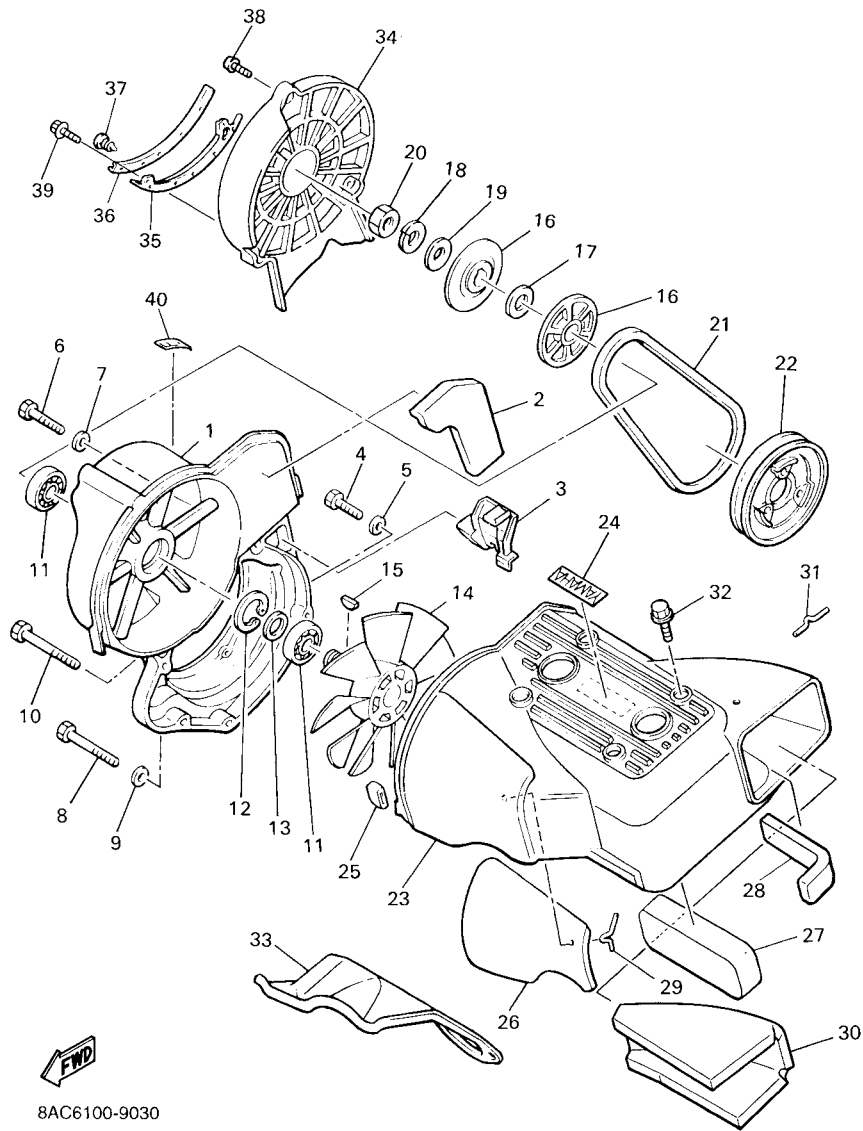
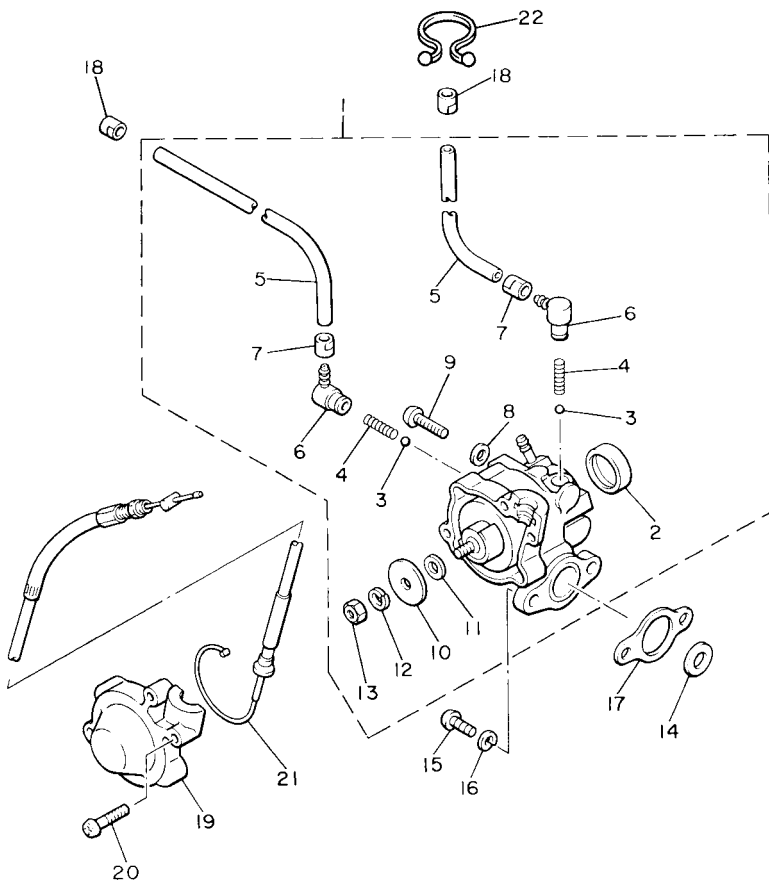


FIG. 3 AIR SHROUD & FAN

REF. NO.	PART NO.	DESCRIPTION	EUR	RUS	JPN	REMARKS
27	8H8-12669-00	DAMPER, AIR SHROUD 4	1	1	1	
28	8V8-12678-00	DAMPER, AIR SHROUD 5	1	1	1	
29	91401-16025	PIN, COTTER	3	3	3	
30	8AT-12679-00	DAMPER, SHROUD 6	1	1	1	
31	91401-16025	PIN, COTTER	3	3	3	
32	90119-06108	BOLT, WITH WASHER	4	4	4	
33	8H8-12652-00	AIR SHROUD, CYLINDER 2	1	1	1	
34	8L0-12616-00	COVER, FAN CASE	1	1	1	
35	8Y0-12637-02	STAY 1	1	1	1	
36	8Y0-12687-02	DAMPER, DUCT 4	1	1	1	
37	90269-05051	RIVET	5	5	5	
38	98902-06025	SCREW, BIND	2	2	2	
39	95802-06025	BOLT, FLANGE	1	1	1	
40	8AC-1262A-E0	LABEL, WARNING 2	1	1		
	8AC-1262A-R1	LABEL, WARNING 2		1		



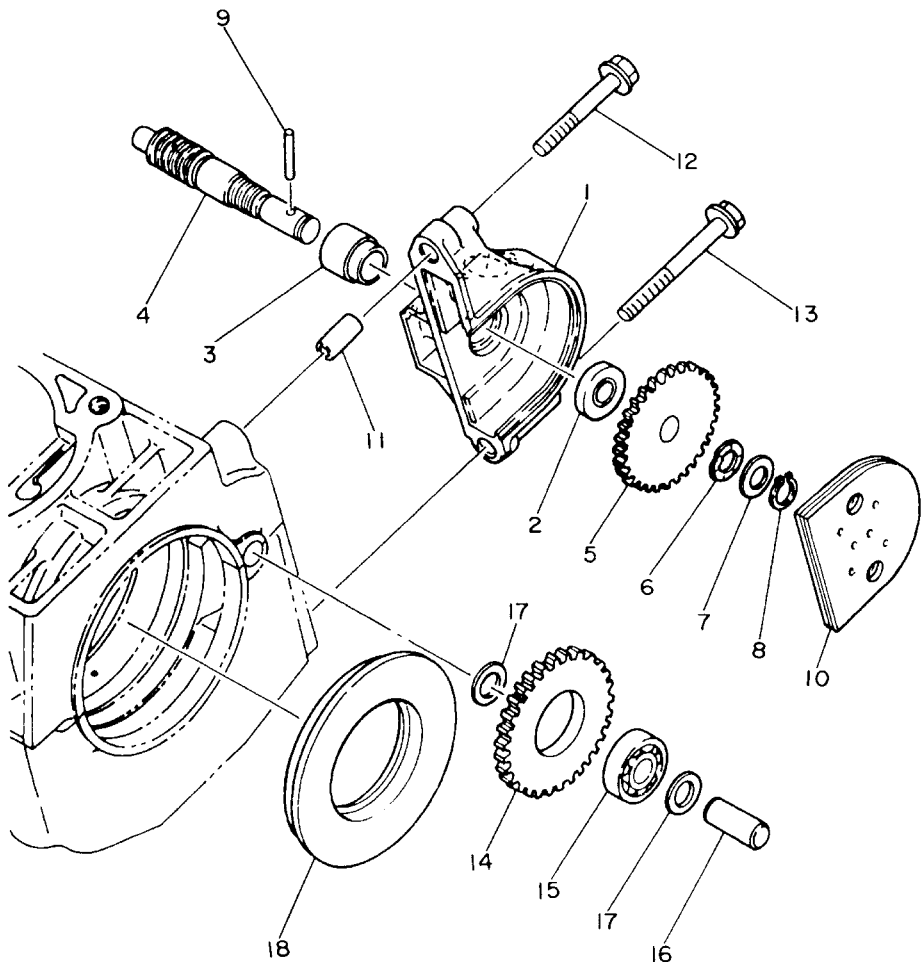

 8AU100-3040

FIG. 4 OIL PUMP

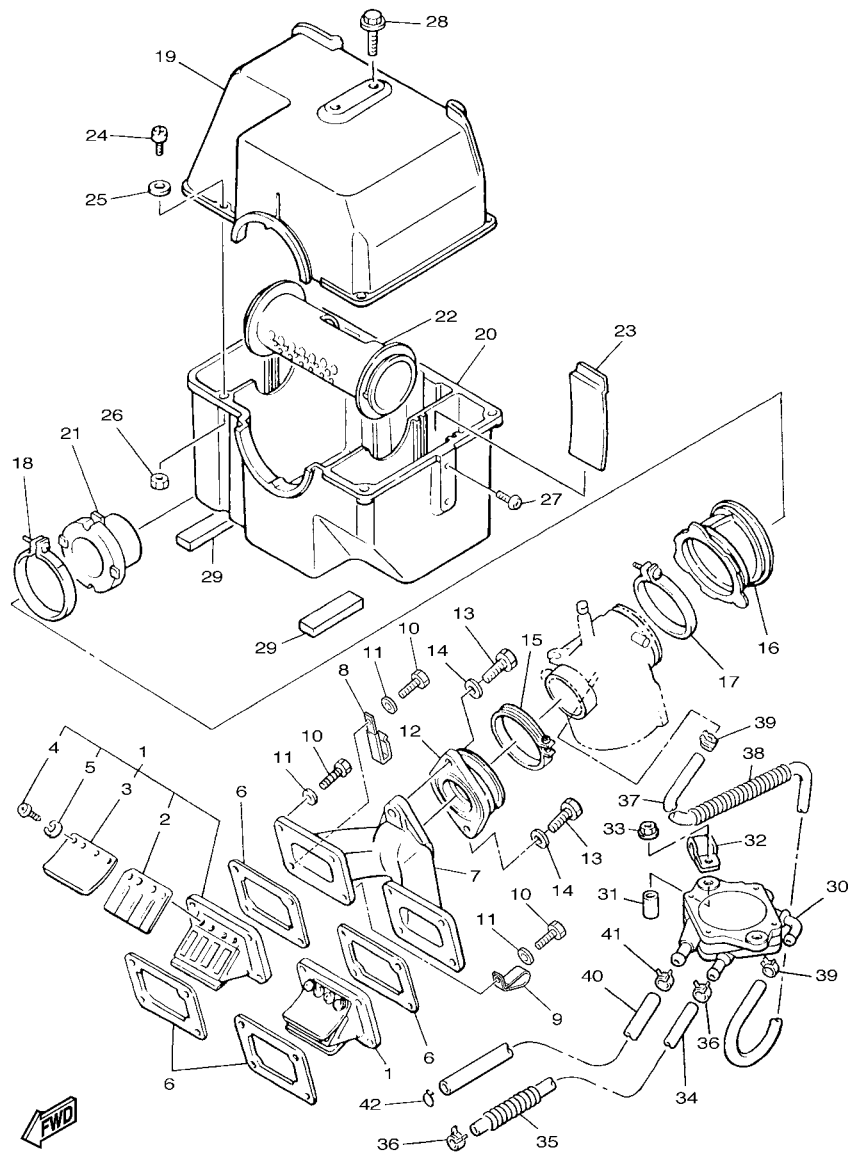
REF. NO.	PART NO.	DESCRIPTION	EUR	RUS	JPN	REMARKS
1	8AT-13101-00	OIL PUMP ASSY	1	1	1	
2	90338-21075	.PLUG	1	1	1	
3	93505-32002	.BALL	2	2	2	
4	90501-02217	.SPRING, COMPRESSION	2	2	2	
5	91A30-03042	.TUBE, FLEXIBLE VINYL	2	2	2	
6	353-13552-01	.NOZZLE	2	2	2	
7	90468-02025	.CLIP	2	2	2	
8	90430-04004	.GASKET	1	1	1	
9	98902-04020	.SCREW, BIND	1	1	1	
10	137-13138-01	.PLATE, ADJUSTING	1	1	1	
11	137-13137-00	.SHIM, PLUNGER	1	1	1	
12	92901-05100	.WASHER, SPRING	1	1	1	
13	95301-05600	.NUT	1	1	1	
14	90201-08624	WASHER, PLATE	1	1	1	
15	98507-05016	SCREW, PAN HEAD	2	2	2	
16	92907-05100	WASHER, SPRING	2	2	2	
17	8Y0-13116-01	GASKET, PUMP CASE	1	1	1	
18	90468-02025	CLIP	2	2	2	
19	8A5-13146-01	COVER, ADJUST PULLEY	1	1	1	
20	98507-04018	SCREW, PAN HEAD	3	3	3	
21	8L8-26320-04	PUMP CABLE ASSY	1	1	1	
22	90464-16039	CLAMP	1	1	1	

FIG. 5 PUMP DRIVE GEAR

REF. NO.	PART NO.	DESCRIPTION	EUR	RUS	JPN	REMARKS
1	8AT-15416-00	COVER, OIL PUMP	1	1	1	
2	93101-10001	OIL SEAL	1	1	1	
3	821-13176-00	METAL, WORM SHAFT OUTER	1	1	1	
4	866-13175-00	SHAFT, WORM	1	1	1	
5	821-13188-00	GEAR, DRIVE (32T)	1	1	1	
6	90206-11016	WASHER, WAVE	1	1	1	
7	137-13148-00	PLATE, CAM THRUST	1	1	1	
8	99009-10400	CIRCLIP	1	1	1	
9	93603-22028	PIN, DOWEL	1	1	1	
10	8K4-15426-00	COVER, OIL PUMP 2	1	1	1	
11	99530-08016	PIN, DOWEL	2	2	2	
12	95022-06040	BOLT, FLANGE	1	1	1	
13	95022-06055	BOLT, FLANGE	1	1	1	
14	8H8-13179-00	GEAR, IDLE (34T)	1	1	1	
15	93306-00002	BEARING	1	1	1	
16	8G8-13342-00	SHAFT, IDLE GEAR	1	1	1	
17	90201-10119	WASHER, PLATE	2	2	2	
18	8K4-13119-00	SEAL, GREASE	1	1	1	



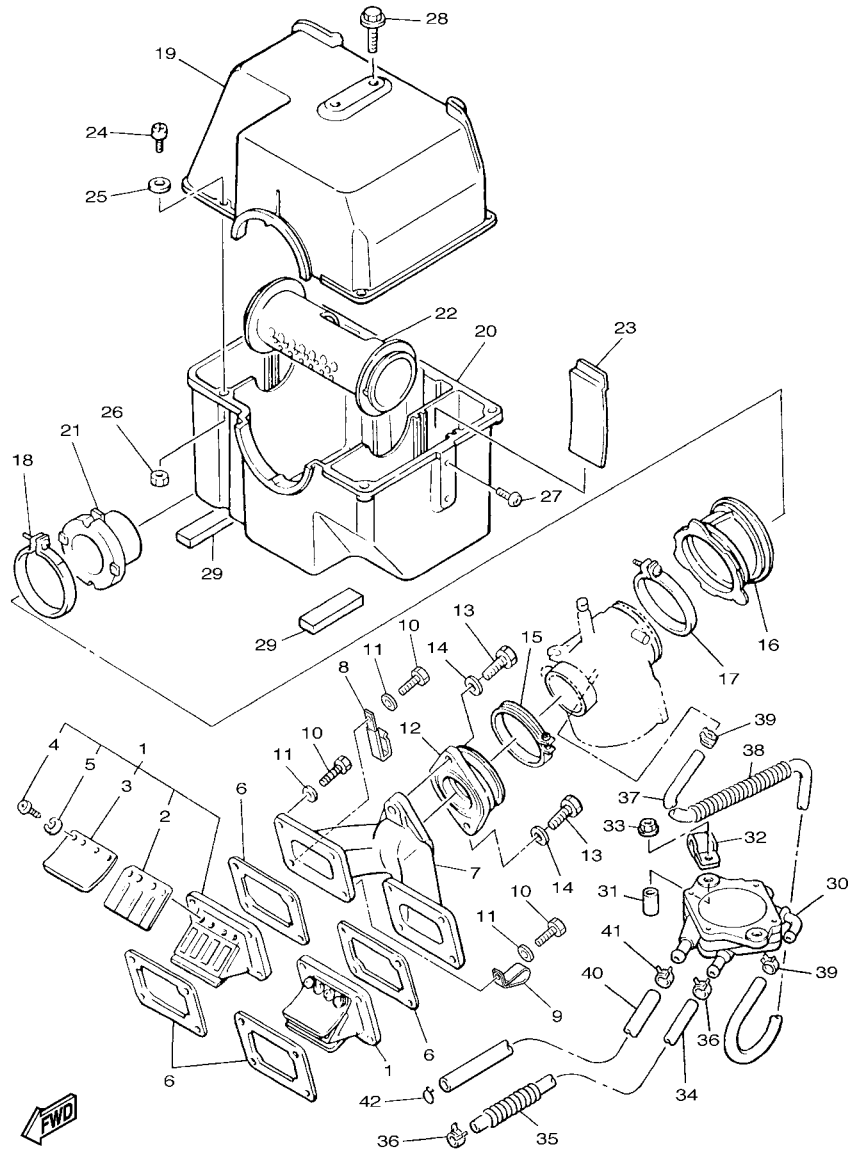
8AU100-3050



8JD1100-M060

FIG. 6 INTAKE

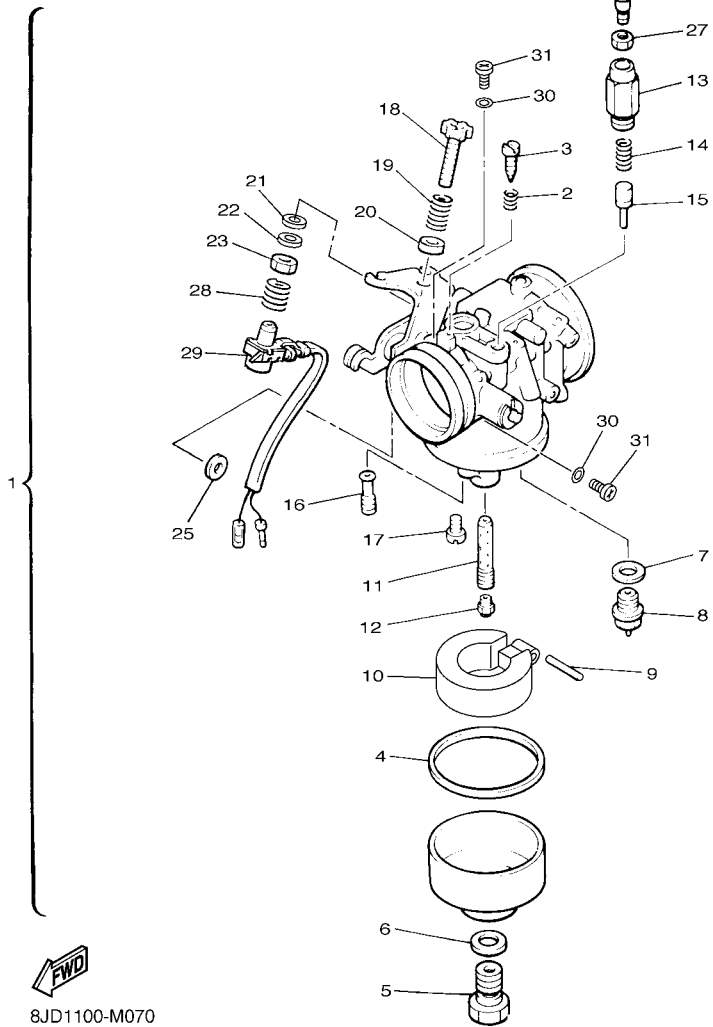
REF. NO.	PART NO.	DESCRIPTION	EUR	RUS	JPN	REMARKS
1	8AT-13610-00	REED VALVE ASSY	2	2	2	
2	8AT-13613-00	.REED, VALVE	2	2	2	
3	8H8-13616-00	.STOPPER, REED VALVE	2	2	2	
4	98502-03008	.SCREW, PAN HEAD	8	8	8	
5	92902-03100	.WASHER	8	8	8	
6	8Y7-13556-01	GASKET, MANIFOLD	4	4	4	
7	83R-13565-00	JOINT, CARBURETOR	1	1	1	
8	90465-08277	CLAMP	1	1	1	
9	90461-10011	CLAMP	1	1	1	
10	97027-06025	BOLT, HEXAGON	8	8	8	
11	92907-06600	WASHER, PLATE	8	8	8	
12	8G8-13555-01	MANIFOLD, INTAKE	1	1	1	
13	97007-08025	BOLT	2	2	2	
14	92907-08600	WASHER, PLATE	2	2	2	
15	90460-56073	CLAMP, HOSE	1	1	1	
16	83R-14453-00	JOINT, AIR CLEANER 1	1	1	1	
17	90460-68230	CLAMP, HOSE	1	1	1	
18	90450-99050	HOSE CLAMP ASSY	1	1	1	
19	8H8-14431-00	SILENCER, INTAKE 1	1	1	1	
20	8H8-14441-00	SILENCER, INTAKE 2	1	1	1	
21	83R-14465-00	PIPE	1	1	1	
22	8H8-14466-00	PIPE	1	1	1	
23	8H8-14477-00	PLATE	2	2	2	
24	98502-05016	SCREW, PAN HEAD	5	5	5	
25	92902-05600	WASHER, PLATE	5	5	5	
26	95302-05700	NUT	5	5	5	
27	98502-06010	SCREW, PAN HEAD	2	2	2	



8JD1100-M060

FIG. 6 INTAKE

REF. NO.	PART NO.	DESCRIPTION	EUR	RUS	JPN	REMARKS
28	90109-065E6	BOLT	2	2	2	
29	83R-14425-00	DAMPER 1	2	2	2	
30	8AT-24410-00	FUEL PUMP ASSY	1	1	1	
31	90387-063W4	COLLAR	2	2	2	
32	90465-08316	CLAMP	1	1	1	
33	95702-06500	NUT, FLANGE	2	2	2	
34	90445-11735	HOSE (L320)	1	1	1	
35	90501-084G9	SPRING, COMPRESSION	1	1	1	
36	90467-11032	CLIP	2	2	2	
37	90445-092K1	HOSE (L420)	1	1	1	
38	90501-084J0	SPRING, COMPRESSION	1	1	1	
39	90467-09026	CLIP	2	2	2	
40	90445-114K5	HOSE (L80)	1	1	1	
41	90467-11032	CLIP	1	1	1	
42	90467-11009	CLIP	1	1	1	

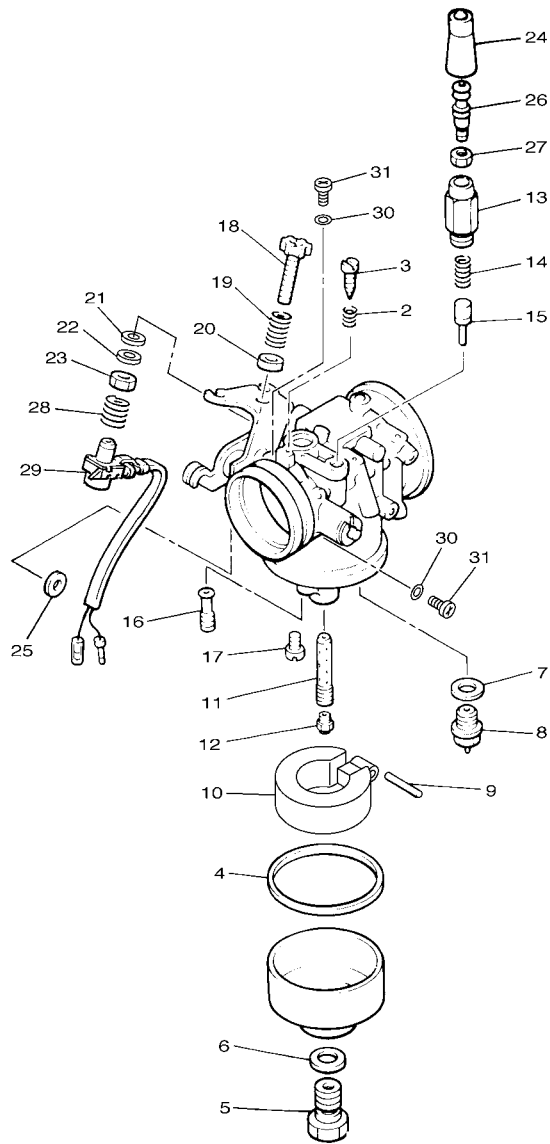


8JD1100-M070

FIG. 7 CARBURETOR

REF. NO.	PART NO.	DESCRIPTION	EUR	RUS	JPN	REMARKS
1	84R-14101-03	CARBURETOR ASSY 1	1	1		
	86R-14101-03	CARBURETOR ASSY 1			1	
2	82A-14134-00	.SPRING, AIR ADJUSTING	1	1	1	
3	620-14211-00	.SCREW, PILOT ADJUSTING	1	1	1	
4	8M6-14126-00	.GASKET	1	1	1	
5	8M6-14261-00	.HOLDER	1	1	1	
6	286-14198-00	.GASKET	1	1	1	
7	214-14195-00	.WASHER, NEEDLE VALVE	1	1	1	
8	83R-14190-15	.NEEDLE VALVE ASSY	1	1	1	
9	68V-14186-00	.PIN, FLOAT	1	1		
	8M6-14186-00	.PIN, FLOAT			1	
10	8M6-14185-00	.FLOAT	1	1	1	
11	83R-14941-4E	.NOZZLE, MAIN	1	1	1	
12	3G2-1414E-56	.JET, MAIN (#141.3)	1	1	1	STD
	3G2-14231-77	.JET, MAIN (#132.5)	1	1	1	AP
	3G2-14231-27	.JET, MAIN (#135)	1	1	1	AP
	3G2-14231-78	.JET, MAIN (#137.5)	1	1	1	AP
	3G2-14231-28	.JET, MAIN (#140)	1	1	1	AP
	3G2-14231-79	.JET, MAIN (#142.5)	1	1	1	AP
13	8U9-14174-00	.CAP, PLUNGER	1	1		
	8G8-14174-00	.CAP, PLUNGER			1	
14	127-14135-00	.COIL, SPRING	1	1	1	
15	8G8-14171-00	.PLUNGER, STARTER	1	1	1	
16	193-14142-90	.JET, PILOT (# 90)	1	1	1	STD
	193-1414F-00	.JET, PILOT (# 100)	1	1	1	AP
17	8V0-14118-00	.CAP	2	2	2	
18	89A-14125-00	.SCREW	1	1		

1

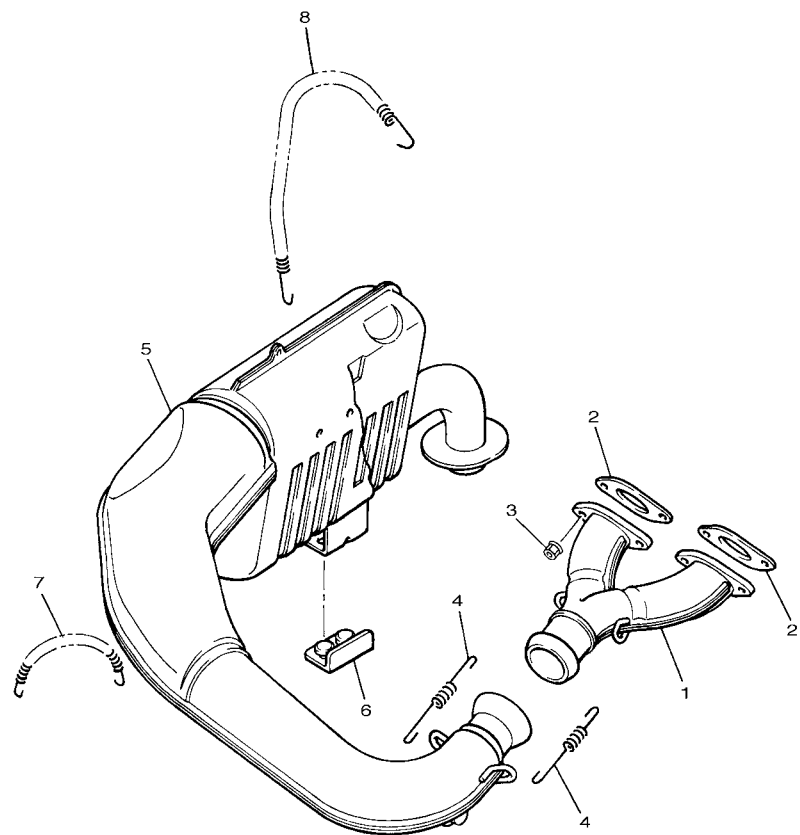


8JD1100-M070

FIG. 7 CARBURETOR

REF. NO.	PART NO.	DESCRIPTION	EUR	RUS	JPN	REMARKS
18	80L-14122-00	.SCREW, THROTTLE			1	
19	2J2-14133-00	.SPRING, THROTTLE STOP	1	1		
	8X0-14500-00	.SPRING			1	
20	89A-14265-00	.COLLAR	1	1		
	8X0-14184-00	.RING			1	
21	22F-14117-00	.WASHER, PLUG SCREW	1	1	1	
22	1UF-14952-00	.WASHER	1	1	1	
23	8X0-14358-00	.NUT	1	1	1	
24	8A7-14169-00	.CAP	1	1	1	
25	80L-14227-00	.WASHER	1	1	1	
26	127-14124-20	.SCREW, CABLE ADJUSTING	1	1	1	
27	802-14161-00	.NUT, CABLE ADJUSTING	1	1	1	
28	89A-24529-00	.SPRING	1	1		
	8X0-14133-00	.SPRING, THROTTLE STOP			1	
29	87S-8259A-01	.SWITCH, CARBURETOR	1	1	1	
30	256-14956-01	.WASHER	2	2	2	
31	3DM-14216-00	.SCREW	2	2	2	

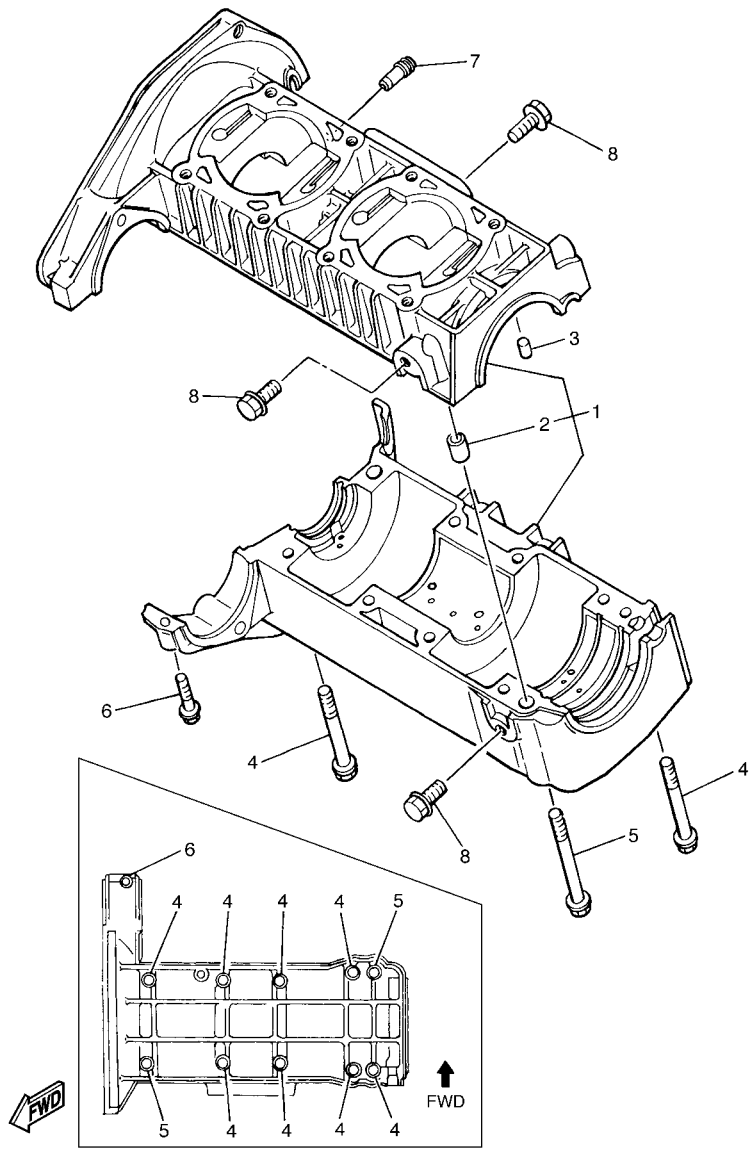
FIG. 8 EXHAUST



REF. NO.	PART NO.	DESCRIPTION	EUR	RUS	JPN	REMARKS
1	8K4-14610-00	EXHAUST PIPE ASSY 1	1	1	1	
2	82M-14613-01	GASKET, EXHAUST PIPE	2	2	2	
3	95602-08200	NUT, SELF-LOCKING	4	4	4	
4	90506-20272	SPRING, TENSION	2	2	2	
5	83R-14710-04	MUFFLER ASSY 1	1	1	1	
6	83R-14728-01	PROTECTOR, MUFFLER 2	1	1	1	
7	90507-16045	SPRING, TENSION	1	1	1	
8	90507-16046	SPRING, TENSION	1	1	1	

 8ACP300-H080

FIG. 9 CRANKCASE

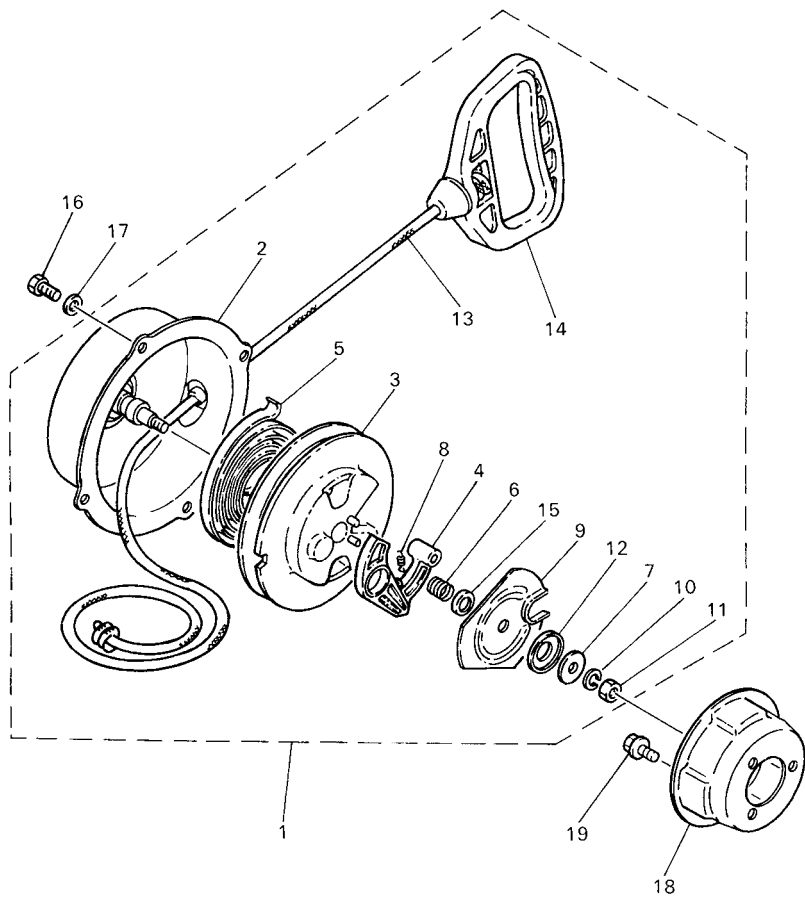


8AC3100-6100

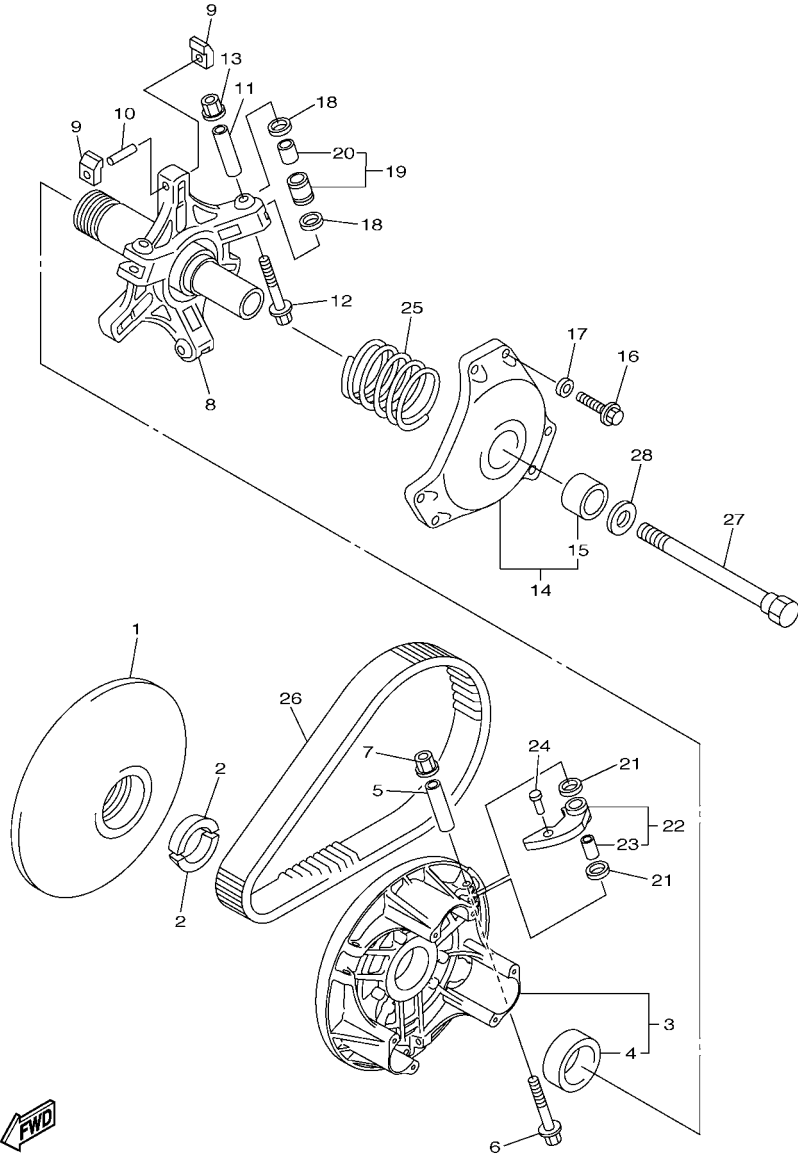
REF. NO.	PART NO.	DESCRIPTION	EUR	RUS	JPN	REMARKS
1	8H8-15100-02	CRANKCASE ASSY	1	1	1	
2	91830-22016	.PIN, DOWEL	2	2	2	
3	93604-07141	PIN, DOWEL	2	2	2	
4	95827-08075	BOLT, FLANGE	8	8	8	
5	95827-08085	BOLT, FLANGE	2	2	2	
6	95822-06030	BOLT, FLANGE	1	1	1	
7	J38-11116-00	JOINT, BREATHER	1	1	1	
8	95822-08016	BOLT, FLANGE	6	6	6	

FIG. 10 STARTER

REF. NO.	PART NO.	DESCRIPTION	EUR	RUS	JPN	REMARKS
1	8H8-15710-00	STARTER ASSY	1	1	1	
2	8H8-15711-00	.CASE, STARTER	1	1	1	
3	8F3-15714-01	.DRUM, SHEAVE	1	1	1	
4	8F3-15741-01	.PAWL, DRIVE	1	1	1	
5	8F3-15713-01	.SPRING, STARTER	1	1	1	
6	8F3-15715-00	.SPRING, FRICTION	1	1	1	
7	8F3-15739-01	.WASHER, THRUST	1	1	1	
8	8F3-15734-00	.SPRING, RETURN	1	1	1	
9	8F3-15716-03	.PLATE, DRIVE	1	1	1	
10	92901-06100	.WASHER, SPRING	1	1	1	
11	95301-06700	.NUT	1	1	1	
12	8G5-15739-00	.WASHER, THRUST	1	1	1	
13	8F3-15751-00	.WIRE, STARTER	1	1	1	
14	8F3-15755-00	.HANDLE, STARTER	1	1	1	
15	8G5-15716-00	.COLLAR	1	1	1	
16	97007-06014	BOLT	4	4	4	
17	92907-06600	WASHER, PLATE	4	4	4	
18	8H8-15723-01	PULLEY, STARTER	1	1	1	
19	95822-08016	BOLT, FLANGE	3	3	3	



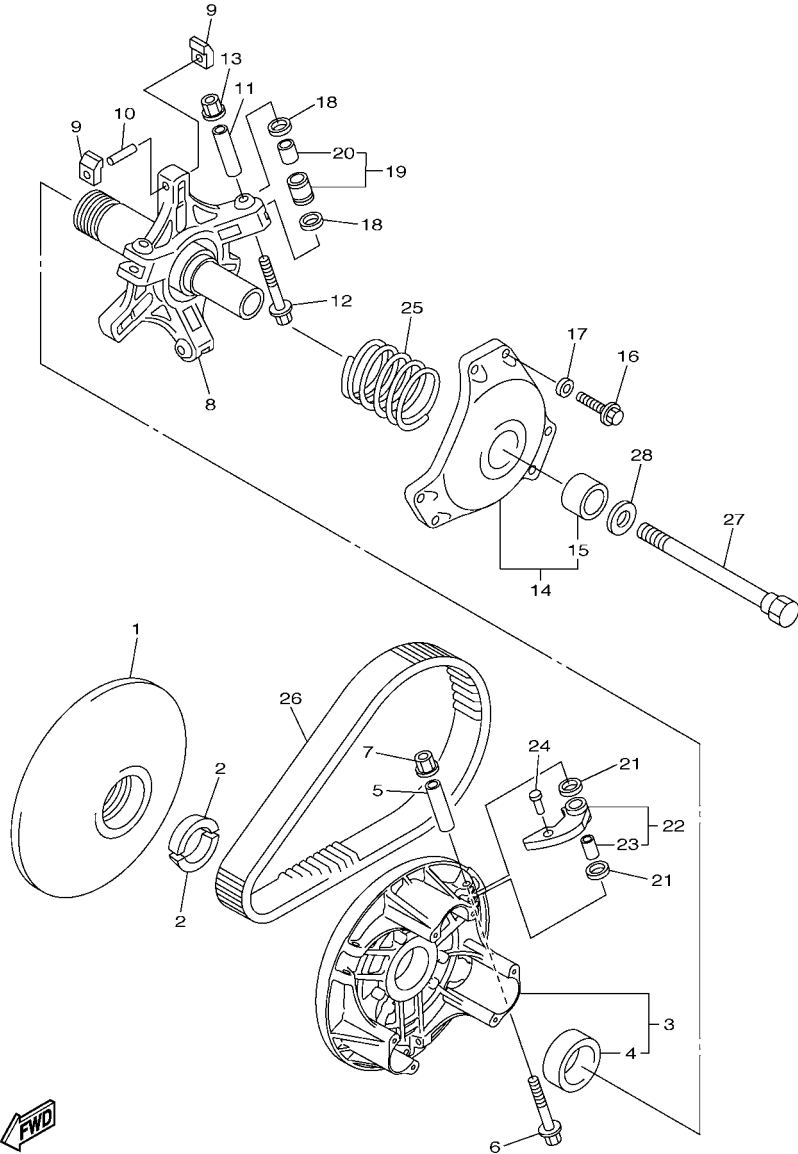
8AC3100-6110



8ACT100-K110

FIG. 11 PRIMARY SHEAVE

REF. NO.	PART NO.	DESCRIPTION	EUR	RUS	JPN	REMARKS
1	8FA-17611-01	SHEAVE, PRIMARY FIXED	1	1	1	
2	8V0-17639-00	STOPPER	2	2	2	
3	8BV-17620-03	PRIMARY SLIDING SHEAVE COMP.	1	1	1	
4	90384-41242	.BUSH, BIMETAL FORMED	1	1	1	
5	90387-0514T	COLLAR	3	3	3	
6	90105-05644	BOLT, FLANGE	3	3	3	
7	95602-05200	NUT, SELF-LOCKING	3	3	3	
8	8ES-17640-02	SPIDER COMPLETE	1	1	1	
9	8BW-17653-00	SLIDER	6	6	6	
10	91609-50032	PIN, SPRING	3	3	3	
11	90387-0514U	COLLAR	3	3	3	
12	90105-05644	BOLT, FLANGE	3	3	3	
13	95602-05200	NUT, SELF-LOCKING	3	3	3	
14	8BV-17630-11	PRIMARY SHEAVE CAP COMP.	1	1	1	
15	90380-28237	.BUSH, SOLID	1	1	1	
16	97017-06030	BOLT	6	6	6	
17	92907-06600	WASHER, PLATE	6	6	6	
18	90202-09227	WASHER, PLATE	6	6	6	
19	8FG-17624-00	ROLLER, COMP	3	3	3	
20	90386-09001	.BUSH	1	1	1	
21	90202-08204	WASHER, PLATE	6	6	6	
22	8AT-17605-10	WEIGHT COMP	3	3	3	
23	90386-08002	.BUSH	1	1	1	
24	90261-06033	RIVET, COUNTERSUNK (ST17.2MM)	3	3	3	STD
	90261-06015	RIVET, COUNTERSUNK (ST10.3MM)	3	3	3	AP
	90261-06019	RIVET, COUNTERSUNK (ST13.3MM)	3	3	3	AP
25	90501-556G6	SPRING, COMPRESSION	1	1	1	STD (BLUE)



8ACT100-K110

FIG. 11 PRIMARY SHEAVE

REF. NO.	PART NO.	DESCRIPTION	EUR	RUS	JPN	REMARKS
25	90501-556G7	SPRING, COMPRESSION	1	1	1	AP (Y-BL-Y)
	90501-606G9	SPRING, COMPRESSION	1	1	1	AP (P-BL-P)
26	8DN-17641-01	V-BELT	1	1	1	
27	8V0-17647-00	BOLT (L=156.5MM)	1	1	1	
28	92907-16100	WASHER	1	1	1	
<hr/>						
<hr/>						
<hr/>						
<hr/>						
<hr/>						
<hr/>						
<hr/>						
<hr/>						
<hr/>						



8AC6100-9120

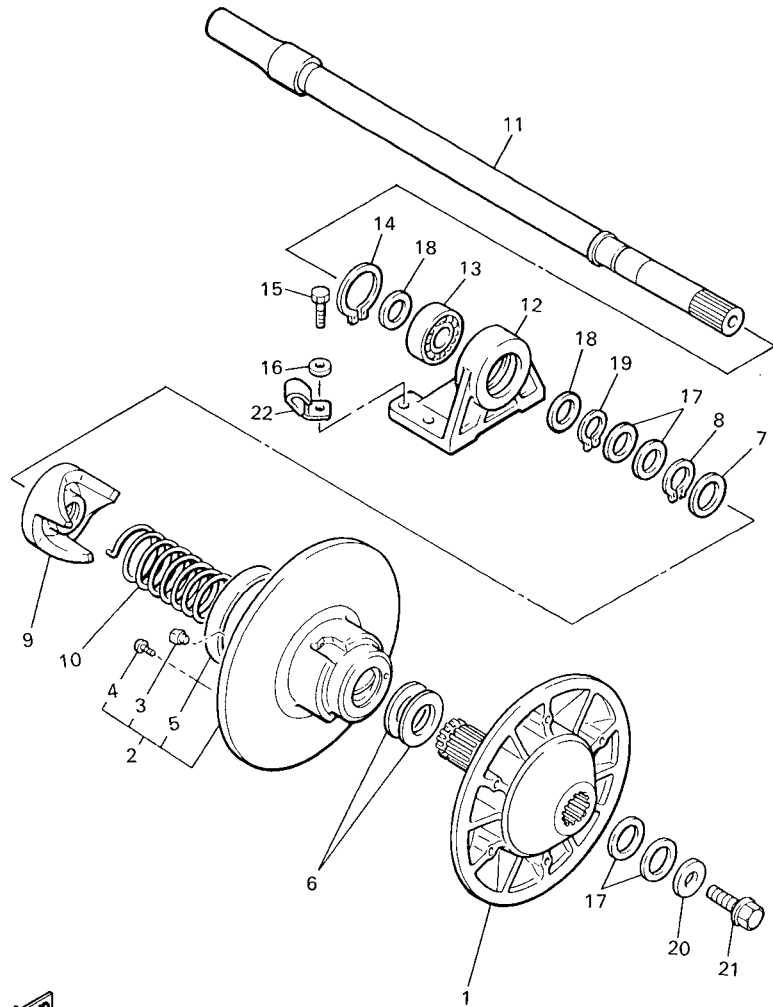


FIG. 12 SECONDARY SHEAVE

REF. NO.	PART NO.	DESCRIPTION	EUR	RUS	JPN	REMARKS
1	88R-17660-03	SECONDARY FIXED SHEAVE COMP.	1	1	1	
2	8AT-17670-01	SECONDARY SLIDING SHEAVE	1	1	1	
3	8X6-17688-00	.SHOE, RAMP	3	3	3	
4	90154-06062	.SCREW, BINDING	3	3	3	
5	90384-90081	.BUSH, BIMETAL FORMED	1	1	1	
6	90201-345G2	WASHER, PLATE	2	2	2	
7	90214-29060	WASHER, CLAW	1	1	1	
8	93440-34170	CIRCLIP	1	1	1	
9	8AT-17684-01	SEAT, SECONDARY SPRING	1	1	1	
10	90508-55012	SPRING, TORSION	1	1	1	
11	88N-17680-02	SECONDARY SHAFT COMP.	1	1	1	
12	88N-47631-00	HOUSING, BEARING	1	1	1	
13	93306-20582	BEARING	1	1	1	
14	99009-52500	CIRCLIP	1	1	1	
15	97027-08020	BOLT, HEXAGON	4	4	4	
16	92907-08600	WASHER, PLATE	4	4	4	
17	90201-252F1	WASHER, PLATE (T0.5)	1	1	1	UR UN
	90201-25527	WASHER, PLATE (T1.0)	2	2	2	UR UN
	90201-25526	WASHER, PLATE (T2.0)	2	2	2	UR UN
18	90201-257J2	WASHER, PLATE	2	2	2	
19	93410-25017	CIRCLIP	1	1	1	
20	90201-104A7	WASHER, PLATE	1	1	1	
21	95817-10020	BOLT, FLANGE	1	1	1	
22	90465-08316	CLAMP	1	1	1	

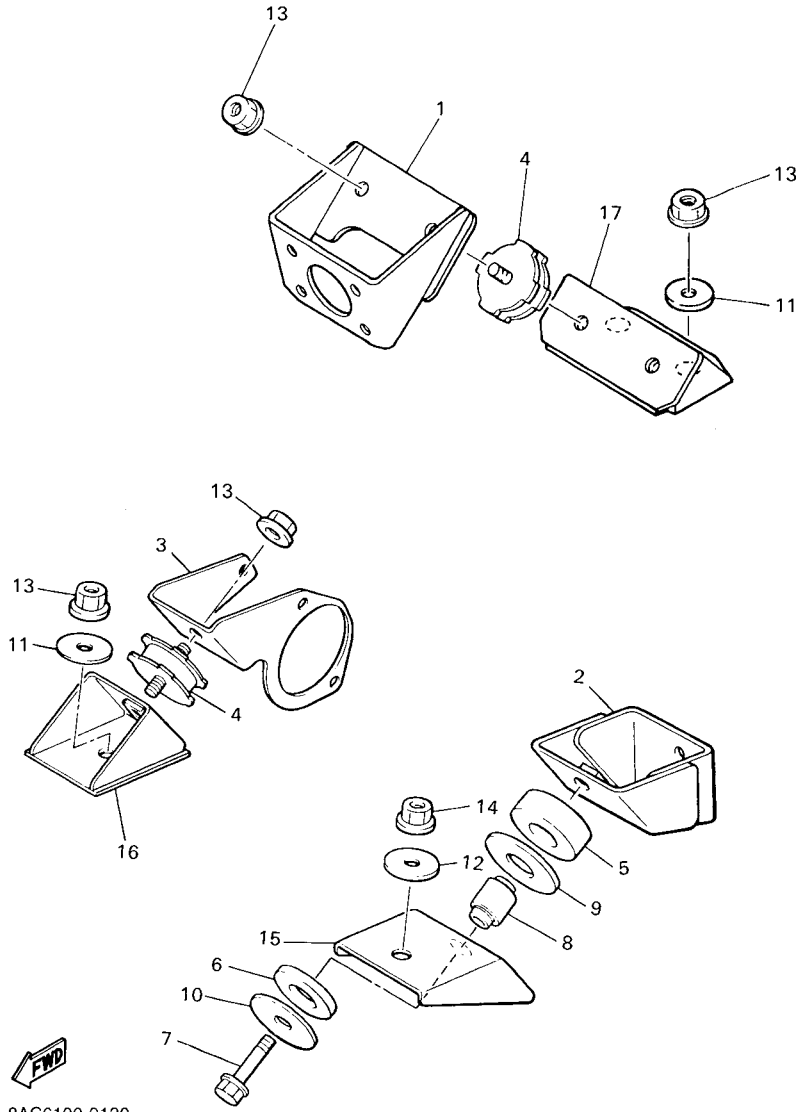
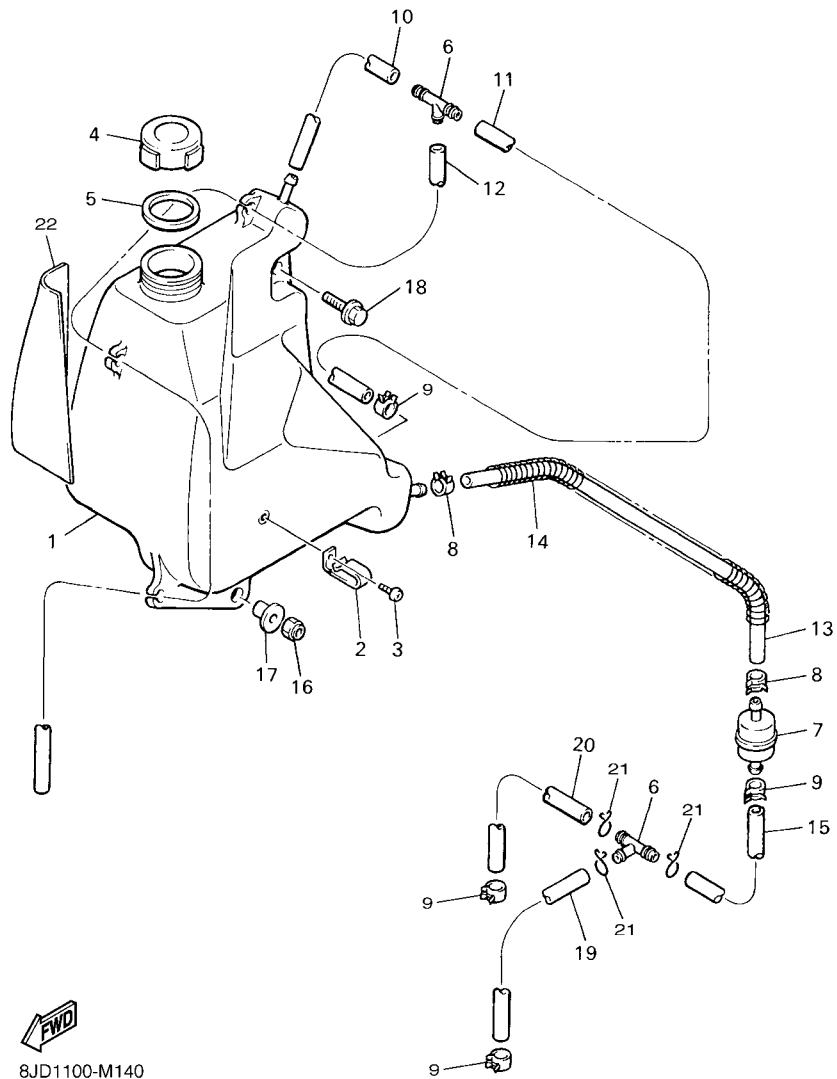


FIG. 13 ENGINE BRACKET

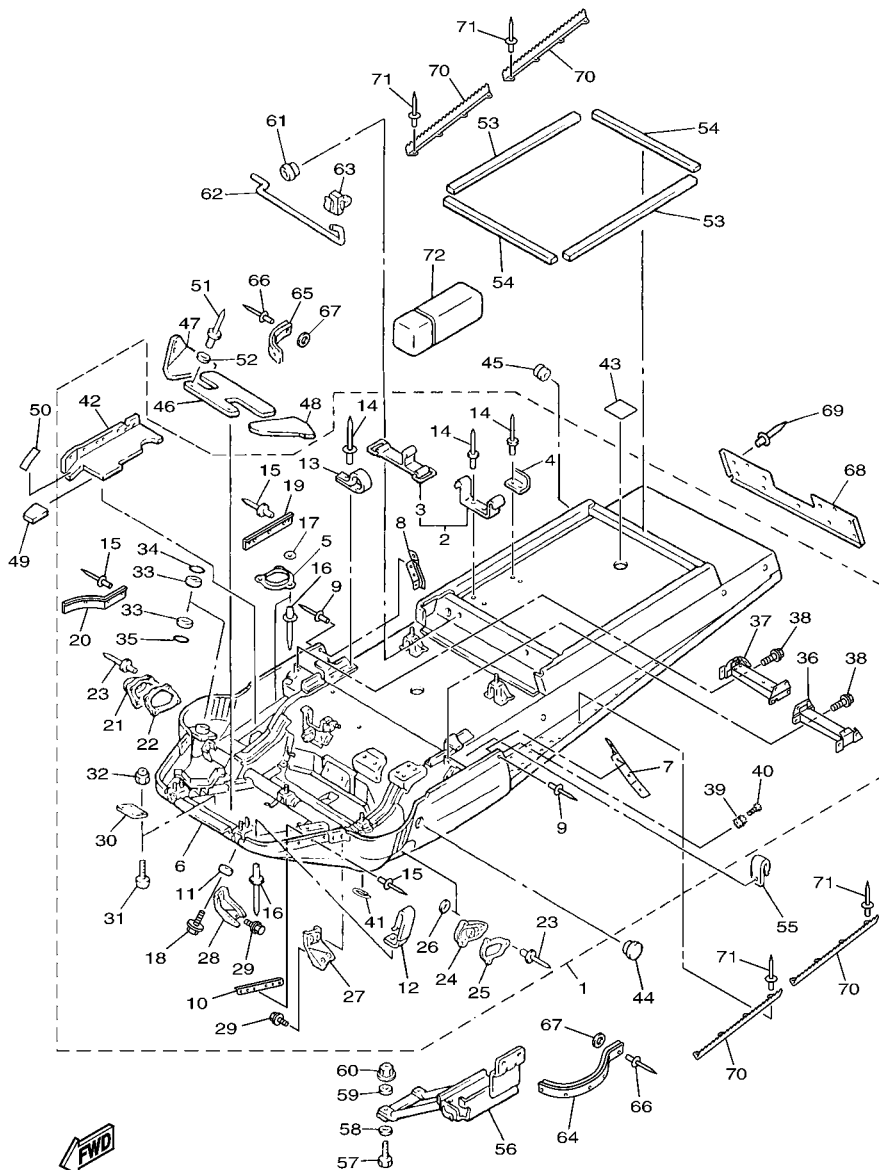
REF. NO.	PART NO.	DESCRIPTION	EUR	RUS	JPN	REMARKS
1	8H8-21411-01	BRACKET, ENGINE 1	1	1	1	
2	83R-21419-01	BRACKET, ENGINE 2	1	1	1	
3	8H8-21429-01	BRACKET, ENGINE 3	1	1	1	
4	8N7-21486-00	DAMPER 2	3	3	3	
5	8V9-21485-00	DAMPER, RUBBER 1	1	1	1	
6	8V9-21486-00	DAMPER 2	1	1	1	
7	95812-10045	BOLT, FLANGE	1	1	1	
8	90380-10129	BUSH, SOLID	1	1	1	
9	90201-257G7	WASHER, PLATE	1	1	1	
10	90201-107G8	WASHER, PLATE	1	1	1	
11	90201-10321	WASHER, PLATE	3	3	3	
12	90201-12317	WASHER, PLATE	1	1	1	
13	95702-10500	NUT, FLANGE	6	6	6	
14	95702-12500	NUT, FLANGE	1	1	1	
15	8AT-21417-00	BRACKET, FRONT LOWER 1	1	1	1	
16	8H8-21418-01	BRACKET, FRONT LOWER 2	1	1	1	
17	8H8-21427-00	BRACKET, REAR LOWER 1	1	1	1	



8JD1100-M140

FIG. 14 OIL TANK

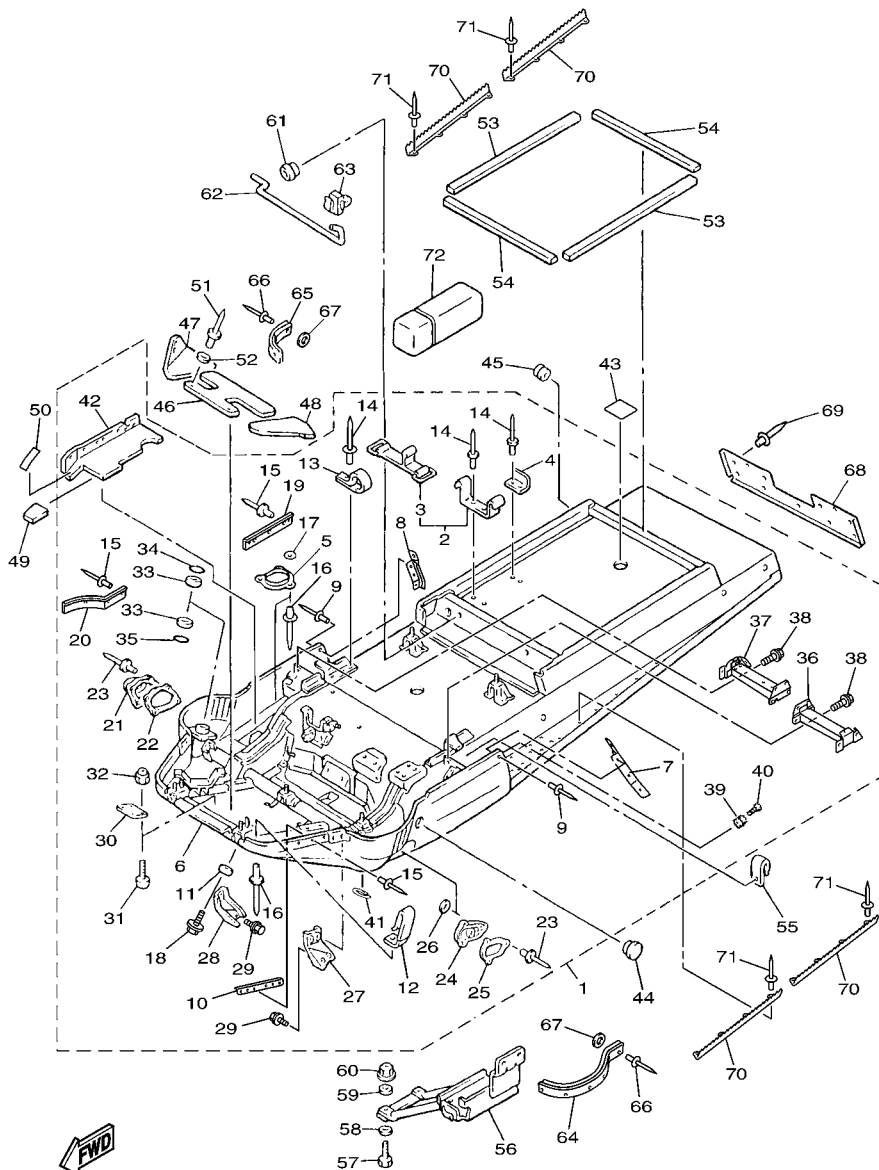
REF. NO.	PART NO.	DESCRIPTION	EUR	RUS	JPN	REMARKS
1	83R-21751-00	TANK, OIL	1	1	1	
2	90462-10209	CLAMP	1	1	1	
3	98902-06010	SCREW, BIND	1	1	1	
4	863-21771-00	BODY, CAP	1	1	1	
5	90430-31003	GASKET	1	1	1	
6	801-24376-00	PIPE, JOINT 1	2	2	2	
7	8G8-13410-00	STRAINER HOUSING ASSY	1	1	1	
8	90467-11032	CLIP	2	2	2	
9	90467-09026	CLIP	4	4	4	
10	91A30-05010	TUBE, FLEXIBLE VINYL	1	1	1	
11	91A30-05120	TUBE, FLEXIBLE VINYL	1	1	1	
12	91A30-05085	TUBE, FLEXIBLE VINYL	1	1	1	
13	91A30-07016	TUBE, FLEXIBLE VINYL	1	1	1	
14	84M-24327-00	PROTECTOR, PIPE	1	1	1	
15	91A30-05004	TUBE, FLEXIBLE VINYL	1	1	1	
16	95602-06100	NUT, U	1	1	1	
17	90387-061U9	COLLAR	2	2	2	
18	95802-06016	BOLT, FLANGE	1	1	1	
19	91A30-05052	TUBE, FLEXIBLE VINYL	1	1	1	
20	91A30-05060	TUBE, FLEXIBLE VINYL	1	1	1	
21	90467-08017	CLIP	3	3	3	
22	8AT-21747-00	DAMPER	1	1	1	



8JD1100-M152

FIG. 15 FRAME

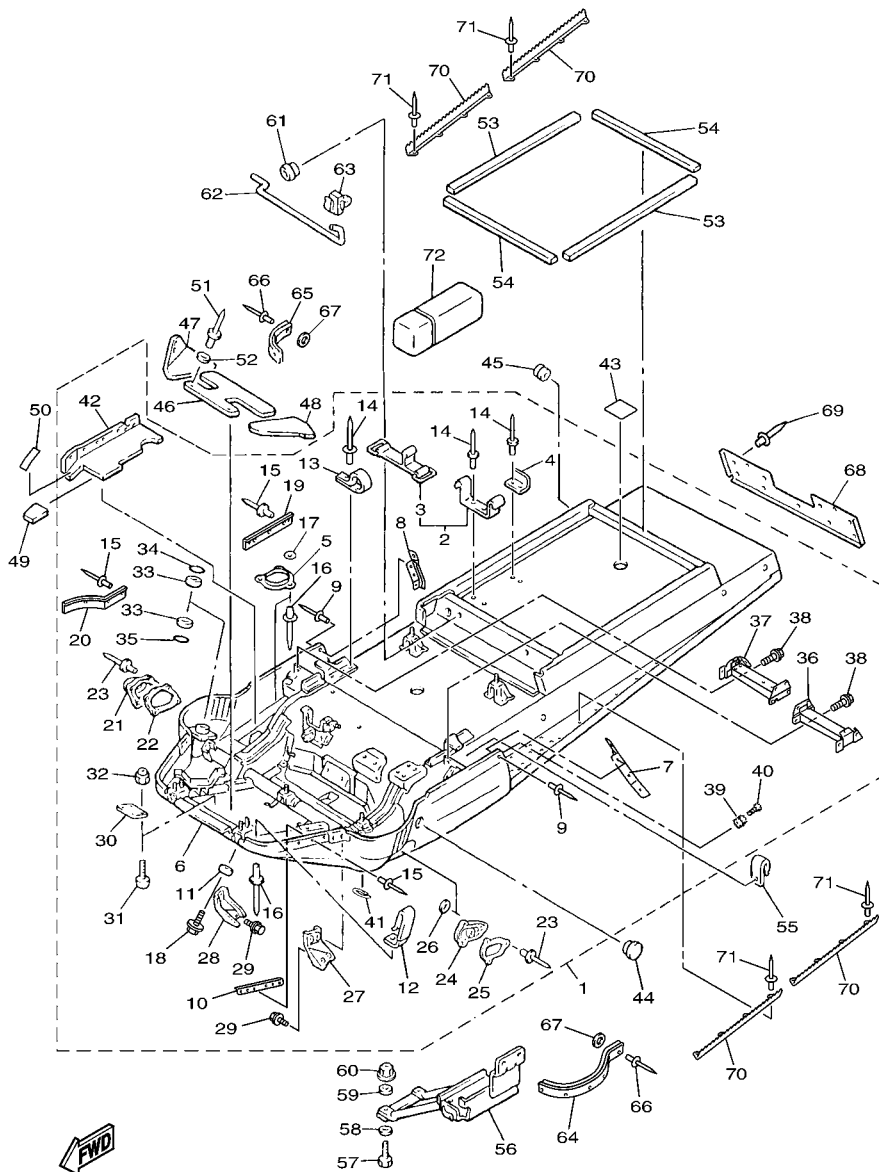
REF. NO.	PART NO.	DESCRIPTION	EUR	RUS	JPN	REMARKS
1	8JD-W2190-01	FRAME COMP.	1	1	1	
2	81E-21945-00	.BRACKET, TOOL BOX FITTING	1	1	1	
3	4J2-82131-01	..BAND, BATTERY	1	1	1	
4	83R-21955-00	.BRACKET, TOOL BOX FITTING	1	1	1	
5	83R-2198F-00	.COVER 1	1	1	1	
6	8JD-21912-01	.PANEL, SUB FRAME 1	1	1	1	
7	83R-21986-00	.REINFORCEMENT, FRAME 1	1	1	1	
8	83R-21987-00	.REINFORCEMENT, FRAME 2	1	1	1	
9	90267-49152	.RIVET, BLIND (4.9X16.1)	6	6	6	
10	8AC-21965-00	.PATCH 5	2	2	2	
11	90387-081R2	.COLLAR	2	2	2	
12	90465-08368	.CLAMP	5	5	5	
13	90462-05059	.CLAMP	1	1	1	
14	90267-48060	.RIVET,BLIND (4.8X12.9 BLACK)	28	28	28	
15	90267-48051	.RIVET, BLIND (4.8X18.7 BLACK)	17	17	17	
16	90267-48018	.RIVET, BLIND (4.8X18.6 BLACK)	42	42	42	
17	90201-04027	.WASHER, PLATE	3	3	3	
18	95827-06016	.BOLT, FLANGE	2	2	2	
19	8AT-77527-02	.PLATE, BACK UP	2	2	2	
20	8JD-77577-00	.PLATE, 1	1	1	1	
21	8AT-23818-00	.COVER, STEERING	1	1	1	
22	8AT-77526-00	.WASHER 2	1	1	1	
23	90267-40029	.RIVET, BLIND (4X18 BLACK)	7	7	7	
24	8M6-2198F-00	.COVER 1	1	1	1	
25	8M6-21998-00	.SPACER	1	1	1	
26	90201-043H5	.WASHER, PLATE	3	3	3	
27	8AT-2194Y-00	.BRACKET, FRONT GUARD 3	1	1	1	



8JD1100-M152

FIG. 15 FRAME

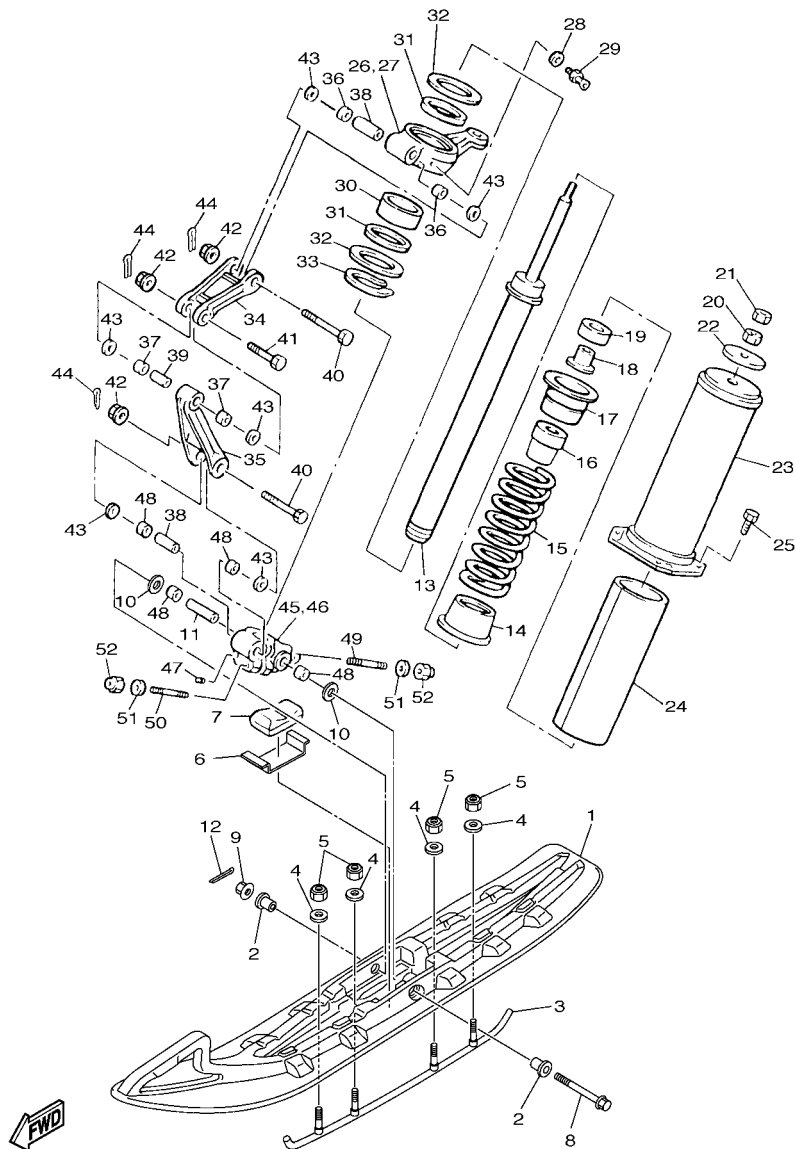
REF. NO.	PART NO.	DESCRIPTION	EUR	RUS	JPN	REMARKS
28	8AT-2195Y-00	.BRACKET, FRONT GUARD 4	1	1	1	
29	90105-08408	.BOLT, FLANGE	4	4	4	
30	89X-21917-00	.PANEL, SUB FRAME 6	2	2	2	
31	98907-05014	.SCREW, BIND	8	8	8	
32	95707-05300	.NUT, FLANGE	8	8	8	
33	90384-36134	.BUSH, BIMETAL FORMED	4	4	4	
34	93102-36232	.OIL SEAL	2	2	2	
35	93103-36117	.OIL SEAL	2	2	2	
36	8AT-23883-01	.BRACKET 3	1	1	1	
37	8AT-23884-01	.BRACKET 4	1	1	1	
38	95802-06012	.BOLT, FLANGE	4	4	4	
39	8M6-77175-00	.HOLDER, LATCH	2	2	2	
40	98907-06035	.SCREW, BIND	2	2	2	
41	93410-52061	.CIRCLIP	2	2	2	
42	8JD-77272-01	.DAMPER, NOISE 12	1	1	1	
43	8CR-2198J-00	COVER 3	1	1	1	
44	90338-44093	PLUG	1	1	1	
45	90480-15061	GROMMET	1	1	1	
46	8AT-77271-00	DAMPER, NOISE 11	1	1	1	
47	8AT-77273-10	DAMPER, NOISE 13	1	1	1	
48	8AT-77274-00	DAMPER, NOISE 14	1	1	1	
49	8AT-77275-00	DAMPER, NOISE 15	1	1	1	
50	8CR-77165-00	TRIM 1	1	1	1	
51	90267-48018	RIVET, BLIND (4.8X18.6 BLACK)	2	2	2	
52	90201-04027	WASHER, PLATE	2	2	2	
53	83R-7717E-00	TAPE 1	2	2	2	
54	83R-7717F-00	TAPE 2	2	2	2	



8JD1100-M152

FIG. 15 FRAME

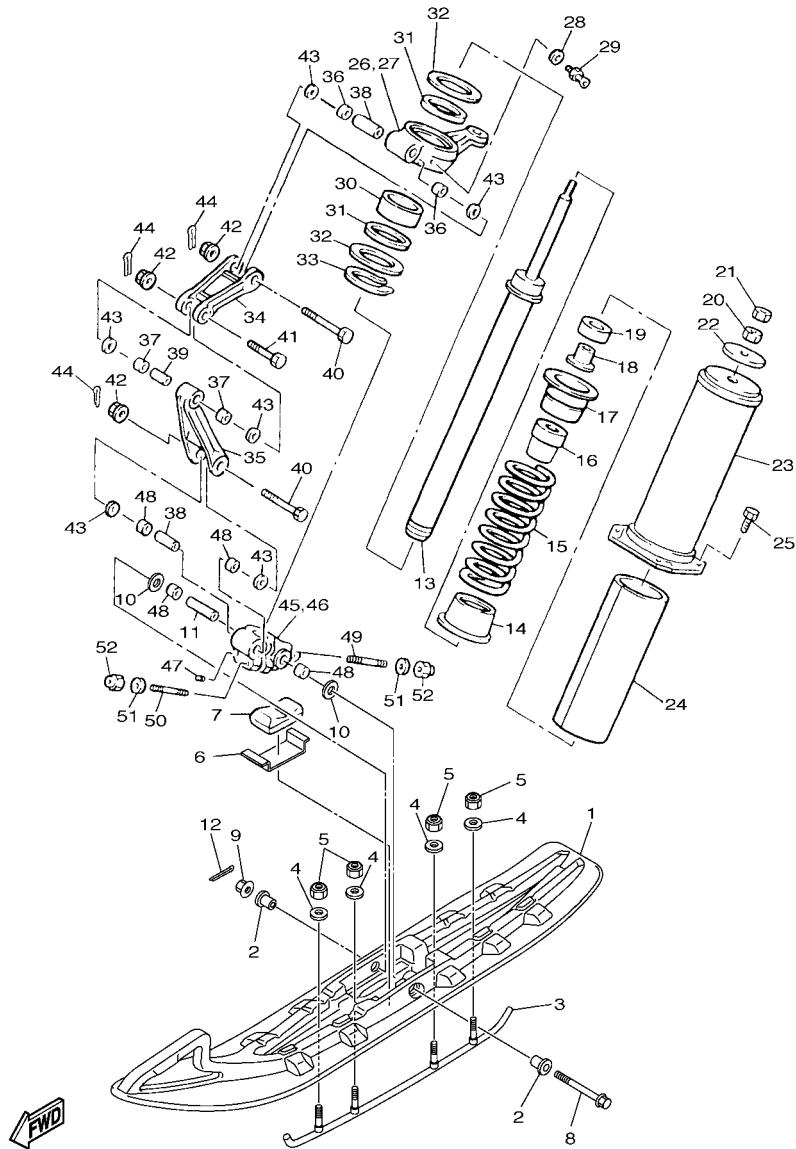
REF. NO.	PART NO.	DESCRIPTION	EUR	RUS	JPN	REMARKS
55	90465-08125	CLAMP	1	1	1	
56	8AT-2199G-01	BRACKET, BATTERY	1	1	1	
57	97022-06025	BOLT, HEXAGON	2	2	2	
58	90201-06778	WASHER, PLATE	2	2	2	
59	90201-063A5	WASHER, PLATE	2	2	2	
60	95702-06300	NUT, NYLON	2	2	2	
61	90480-10348	GROMMET	1	1	1	
62	85R-2471A-00	STAY, SEAT	1	1	1	
63	85R-2639F-00	HOLDER 2	1	1	1	
64	8AT-2196T-00	TRIM 1	1	1	1	
65	8JD-2196T-00	TRIM 1	1	1	1	
66	90267-40172	RIVET, BLIND (4X19)	9	9	9	
67	90201-042E0	WASHER, PLATE	9	9	9	
68	8AC-21933-00	REINFORCEMENT, FRAME REAR 2	1	1	1	
69	90267-47186	RIVET, BLIND (4.7X16.4 BLACK)	6	6	6	
70	8JD-21926-00	REINFORCEMENT, FOOTREST 1	4	4	4	
71	90267-48023	RIVET, BLIND(4.8X12.1 YELLOW)	16	16	16	
72	85L-28100-00	TOOL KIT	1	1	1	



8JD1100-M162

FIG. 16 SKI

REF. NO.	PART NO.	DESCRIPTION	EUR	RUS	JPN	REMARKS
1	8JD-23711-00	SKI 1	2	2	2	
2	8JD-23754-00	COLLAR, 1	4	4	4	
3	8JD-23731-00	RUNNER 1	2	2	2	
4	8HR-23738-00	WASHER 2	8	8	8	
5	8HR-23778-00	NUT	8	8	8	
6	8AC-23765-00	STOPPER	2	2	2	
7	88T-23743-00	STOPPER 1	2	2	2	
8	90105-10410	BOLT, FLANGE	2	2	2	
9	95602-10200	NUT, U FLANGE	2	2	2	
10	90201-100S7	WASHER, PLATE	4	4	4	
11	90387-106J3	COLLAR	2	2	2	
12	91401-20020	PIN, COTTER	2	2	2	
13	8AT-22401-00	DAMPER SUB ASSY	2	2	2	
14	82M-23777-00	SEAT, SPRING 2	2	2	2	
15	90501-800A1	SPRING, COMPRESSION	2	2	2	
16	89L-22493-00	BUMP, STOP	2	2	2	
17	8L0-23788-00	PLATE, BACK UP	2	2	2	
18	90387-084R1	COLLAR	2	2	2	
19	82M-23779-00	WASHER	2	2	2	
20	90170-08220	NUT	2	2	2	
21	95307-08600	NUT	2	2	2	
22	90201-080L1	WASHER, PLATE	2	2	2	
23	8AT-2376J-00	HOLDER, ABSORBER	2	2	2	
24	8L0-2376R-00	PROTECTOR	2	2	2	
25	97022-06020	BOLT, HEXAGON	8	8	8	
26	82M-23851-00	ARM, OUTSIDE 1 (L,H)	1	1	1	
27	8AT-23852-00	ARM, OUTSIDE 2 (R,H)	1	1	1	



8JD1100-M162

FIG. 16 SKI

REF. NO.	PART NO.	DESCRIPTION	EUR	RUS	JPN	REMARKS
28	90201-067F9	WASHER, PLATE	2	2	2	
29	93700-06004	NIPPLE, GREASE	2	2	2	
30	90384-53175	BUSH, BIMETAL FORMED	2	2	2	
31	93109-53036	OIL SEAL	4	4	4	
32	90201-536A1	WASHER, PLATE (T=1.0)	4	4	4	UR UN
	90201-535H6	WASHER, PLATE (T=2.0)	4	4	4	UR UN
33	93410-52061	CIRCLIP	2	2	2	
34	8L0-2382E-01	ARM, FRONT 1	2	2	2	
35	8L0-2382F-00	ARM, FRONT 2	2	2	2	
36	90384-14091	BUSH, BIMETAL FORMED	4	4	4	
37	90384-14096	BUSH, BIMETAL FORMED	4	4	4	
38	90387-101Y9	COLLAR	4	4	4	
39	90387-100A4	COLLAR	2	2	2	
40	90102-10039	BOLT, WITH HOLE	4	4	4	
41	90102-10067	BOLT, WITH HOLE	2	2	2	
42	95707-10300	NUT, FLANGE	6	6	6	
43	90202-14037	WASHER, PLATE	12	12	12	
44	91401-20020	PIN, COTTER	6	6	6	
45	84M-2376E-00	BRACKET 1	1	1	1	(L,H)
46	84M-2377E-00	BRACKET 2	1	1	1	(R,H)
47	90113-06039	BOLT, SET	2	2	2	
48	90384-14091	BUSH, BIMETAL FORMED	8	8	8	
49	95617-08655	BOLT, STUD	2	2	2	
50	95617-08640	BOLT, STUD	2	2	2	
51	92902-08600	WASHER, PLATE	4	4	4	
52	95702-08300	NUT, NYLON	4	4	4	



8JD2100-N170

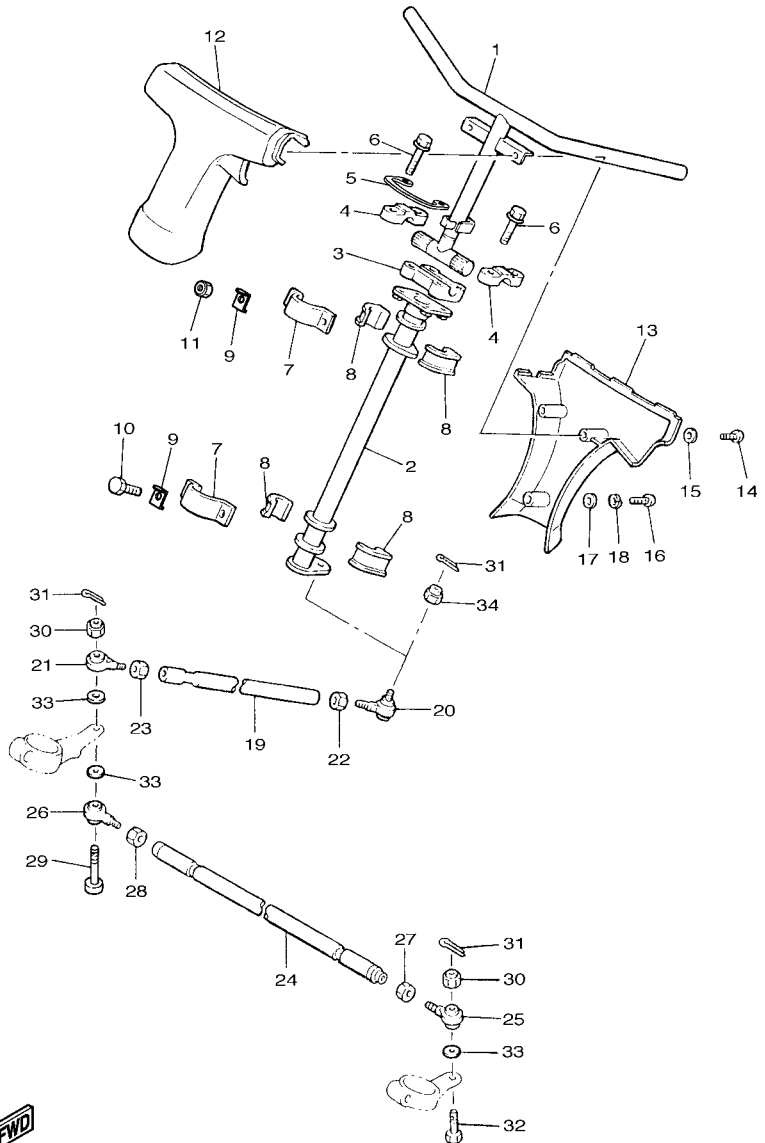
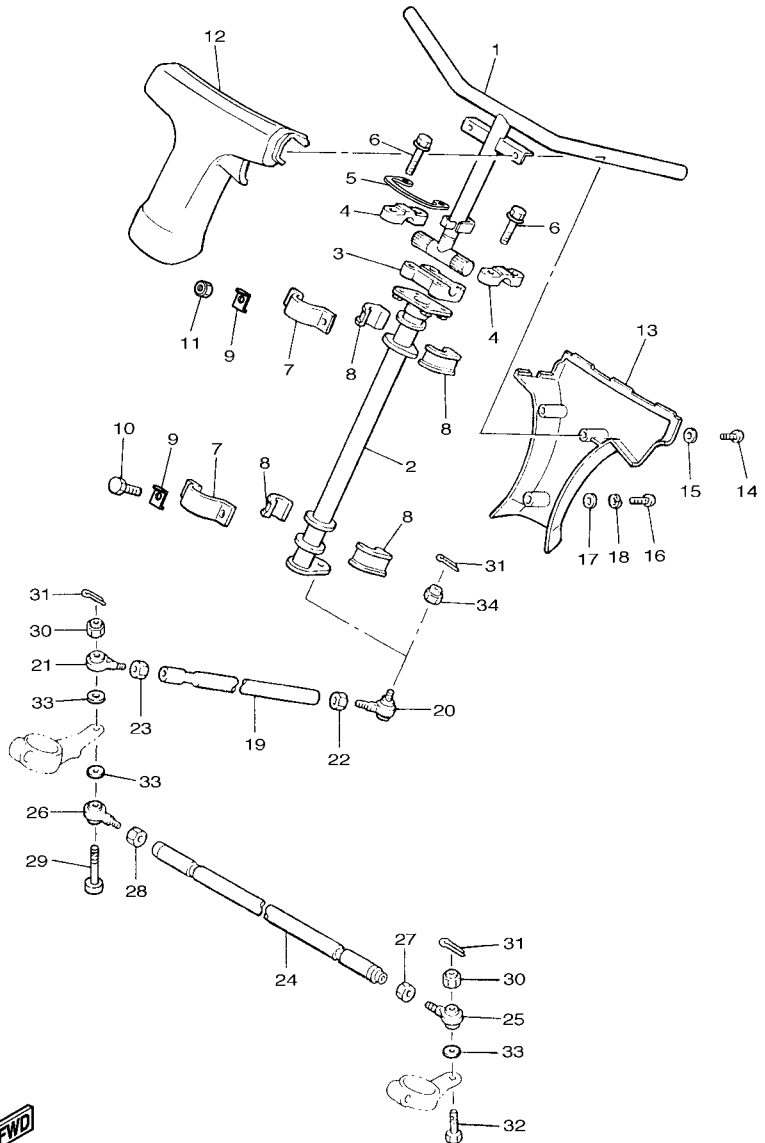


FIG. 17 STEERING

REF. NO.	PART NO.	DESCRIPTION	EUR	RUS	JPN	REMARKS
1	8AU-23811-10	COLUMN, STEERING	1	1	1	
2	8AT-23813-01	COLUMN, STEERING 2	1	1	1	
3	8G5-23814-00	HOLDER,HANDLE UNDER	1	1	1	
4	8K1-23814-00	HOLDER, HANDLE	2	2	2	
5	8JN-23857-00	HOLDER	1	1	1	
6	95827-08055	BOLT, FLANGE	4	4	4	
7	84M-23868-00	BRACKET, STEERING LOWER	2	2	2	
8	8F3-23812-00	BEARING, STEERING	4	4	4	
9	8AC-23894-01	WASHER, LOCK 1	4	4	4	
10	90101-08005	BOLT	2	2	2	
11	90185-08054	NUT, SELF-LOCKING	2	2	2	
12	8W9-23815-00	PAD, STEERING	1	1	1	
13	8W9-23817-00	PAD, STEERING	1	1	1	
14	98507-05030	SCREW, PAN HEAD	2	2	2	
15	92907-05600	WASHER, PLATE	2	2	2	
16	98507-05008	SCREW, PAN HEAD	1	1	1	
17	92907-05200	WASHER	1	1	1	
18	92907-05100	WASHER, SPRING	1	1	1	
19	8AT-23821-00	ROD, STEERING RELAY	1	1	1	
20	86X-23841-00	JOINT, UNIVERSAL 1	1	1	1	
21	87S-23847-01	JOINT, UNIVERSAL 3	1	1	1	(L.H. THREAD)
22	95307-10700	NUT	1	1	1	
23	90170-10186	NUT	1	1	1	(L.H. THREAD)
24	8AT-23831-00	ROD, TIE	1	1	1	
25	87S-23845-01	JOINT, UNIVERSAL 2	1	1	1	
26	87S-23847-01	JOINT, UNIVERSAL 3	1	1	1	(L.H. THREAD)
27	95307-10700	NUT	1	1	1	

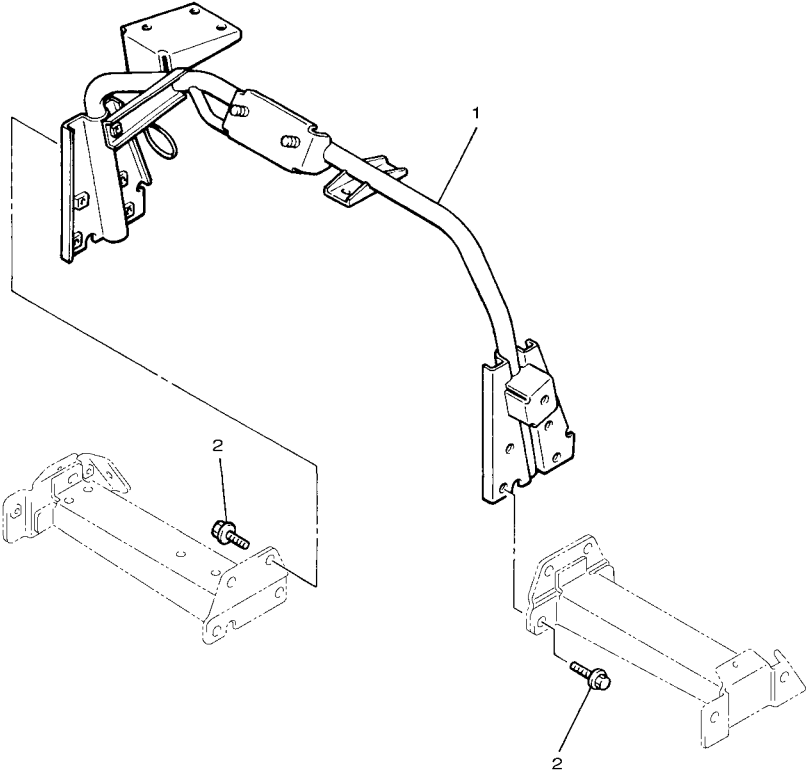


 8JD2100-N170

FIG. 17 STEERING

REF. NO.	PART NO.	DESCRIPTION	EUR	RUS	JPN	REMARKS
28	90170-10186	NUT	1	1	1	(L.H. THREAD)
29	90102-10067	BOLT, WITH HOLE	1	1	1	
30	95707-10300	NUT, FLANGE	2	2	2	
31	91401-25020	PIN, COTTER	3	3	3	
32	90102-10044	BOLT, WITH HOLE	1	1	1	
33	90201-08759	WASHER, PLATE	3	3	3	
34	90185-10085	NUT, SELF-LOCKING	1	1	1	
<hr/>						
<hr/>						
<hr/>						
<hr/>						
<hr/>						
<hr/>						
<hr/>						
<hr/>						
<hr/>						
<hr/>						
<hr/>						

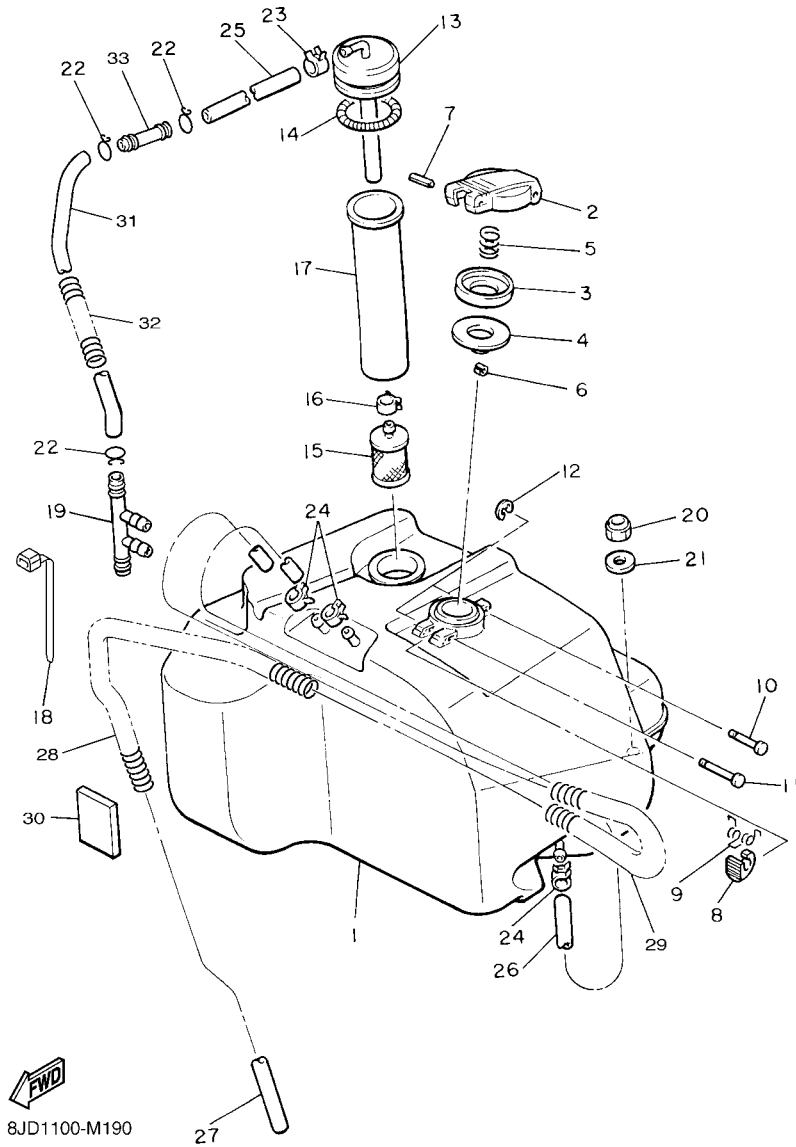
FIG. 18 STEERING GATE



REF. NO.	PART NO.	DESCRIPTION	EUR	RUS	JPN			REMARKS
1	83R-23870-00	STEERING GATE COMP.	1	1	1			
2	95802-08016	BOLT, FLANGE	8	8	8			



8JD1100-M180



8JD1100-M190

FIG. 19 FUEL TANK

REF. NO.	PART NO.	DESCRIPTION	EUR	RUS	JPN	REMARKS
1	83R-24111-00	TANK, FUEL	1	1	1	
2	8W6-24611-00	BODY, CAP	1	1	1	
3	813-24613-01	DISC, CAP	1	1	1	
4	8F7-24641-00	GASKET, CAP 1	1	1	1	
5	90501-20130	SPRING, COMPRESSION	1	1	1	
6	91609-30016	PIN, SPRING	1	1	1	
7	91609-25050	PIN, SPRING	1	1	1	
8	83M-24628-00	HOOK	1	1	1	
9	90508-10715	SPRING, TORSION	1	1	1	
10	90249-03175	PIN	1	1	1	
11	90249-03017	PIN	1	1	1	
12	93430-02001	CIRCLIP	2	2	2	
13	83R-24335-00	PIPE, SUCTION 1	1	1	1	
14	90506-06065	SPRING, TENSION	1	1	1	
15	8H5-24560-00	FILTER ASSY	1	1	1	
16	90467-11032	CLIP	1	1	1	
17	813-24336-00	PIPE, SUCTION 2	1	1	1	
18	90464-15195	CLAMP	5	5	5	
19	82M-24376-00	PIPE, JOINT 1	1	1	1	
20	95702-08300	NUT, NYLON	2	2	2	
21	90201-08784	WASHER, PLATE	2	2	2	
22	90467-11009	CLIP	3	3	3	
23	90467-11032	CLIP	1	1	1	
24	90467-09026	CLIP	3	3	3	
25	90445-115K6	HOSE (L390)	1	1	1	
26	90445-095F1	HOSE (L650)	1	1		
	91A20-05065	TUBE, FLEXIBLE VINYL			1	

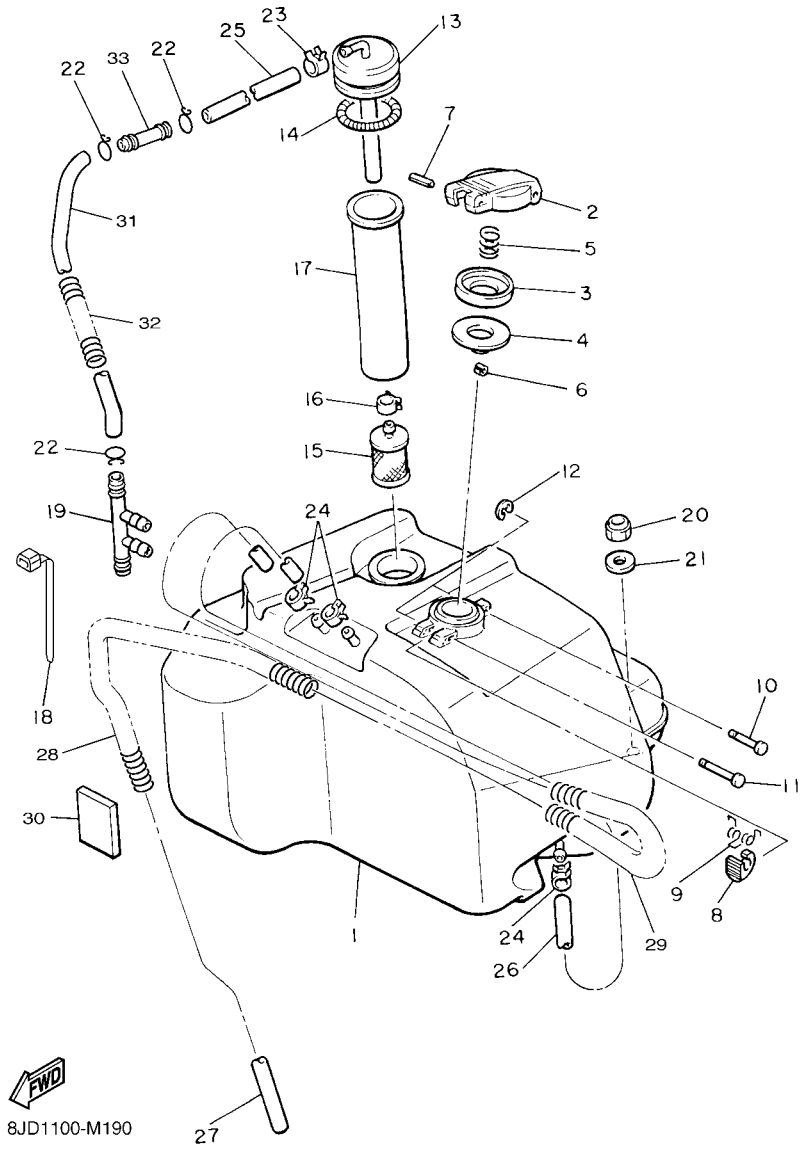
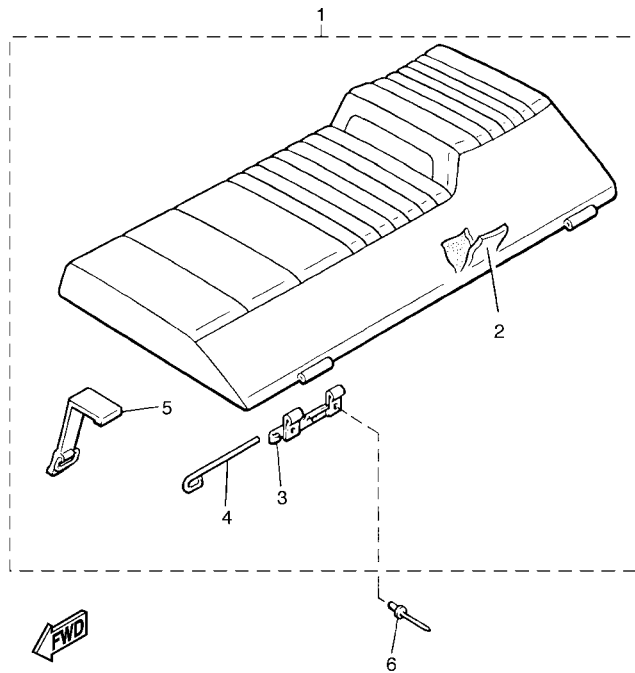
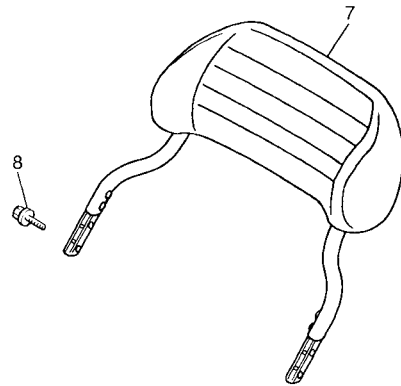


FIG. 19 FUEL TANK

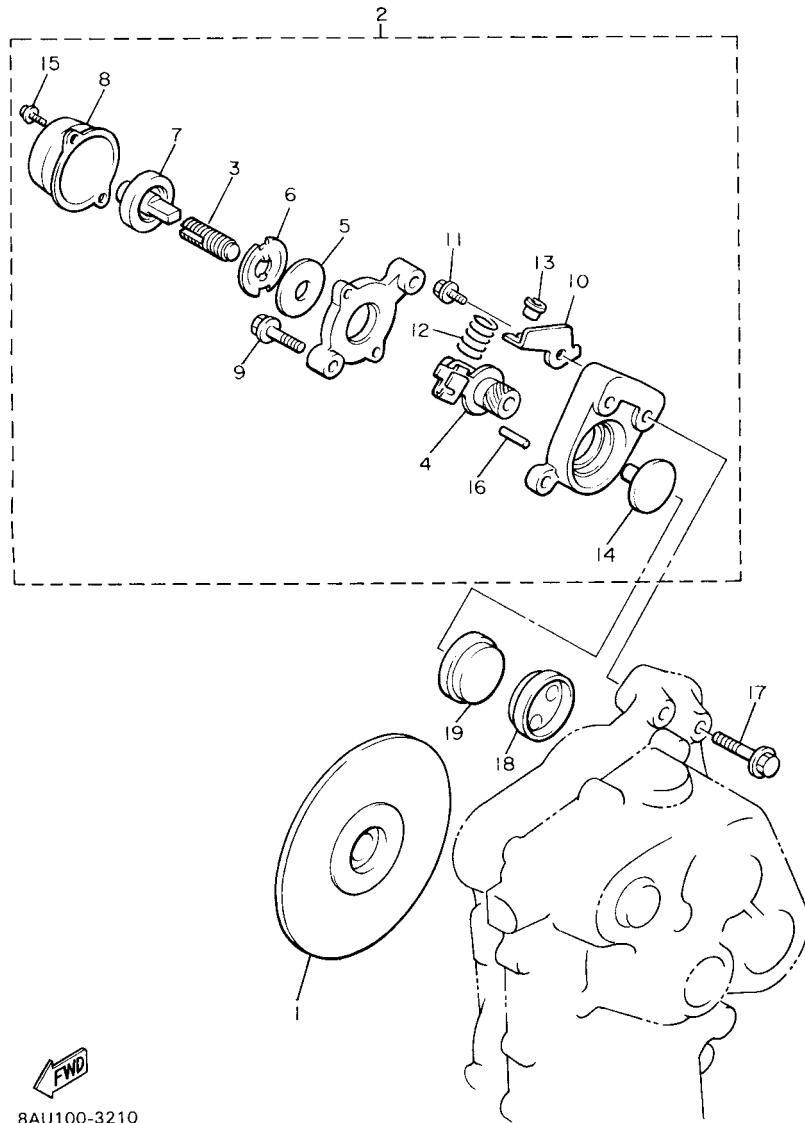
REF. NO.	PART NO.	DESCRIPTION	EUR	RUS	JPN	REMARKS
27	91A21-05155	TUBE, FLEXIBLE	1	1	1	
28	90501-083J9	SPRING, COMPRESSION	1	1	1	
29	81E-24328-00	PROTECTOR, PIPE	1	1	1	
30	8V0-23858-00	SPACER	1	1	1	
31	90445-114J9	HOSE (L265)	1	1	1	
32	84M-24327-00	PROTECTOR, PIPE	1	1	1	
33	878-24379-00	PIPE, JOINT 4	1	1	1	



8ACD100-C200

FIG. 20 SEAT

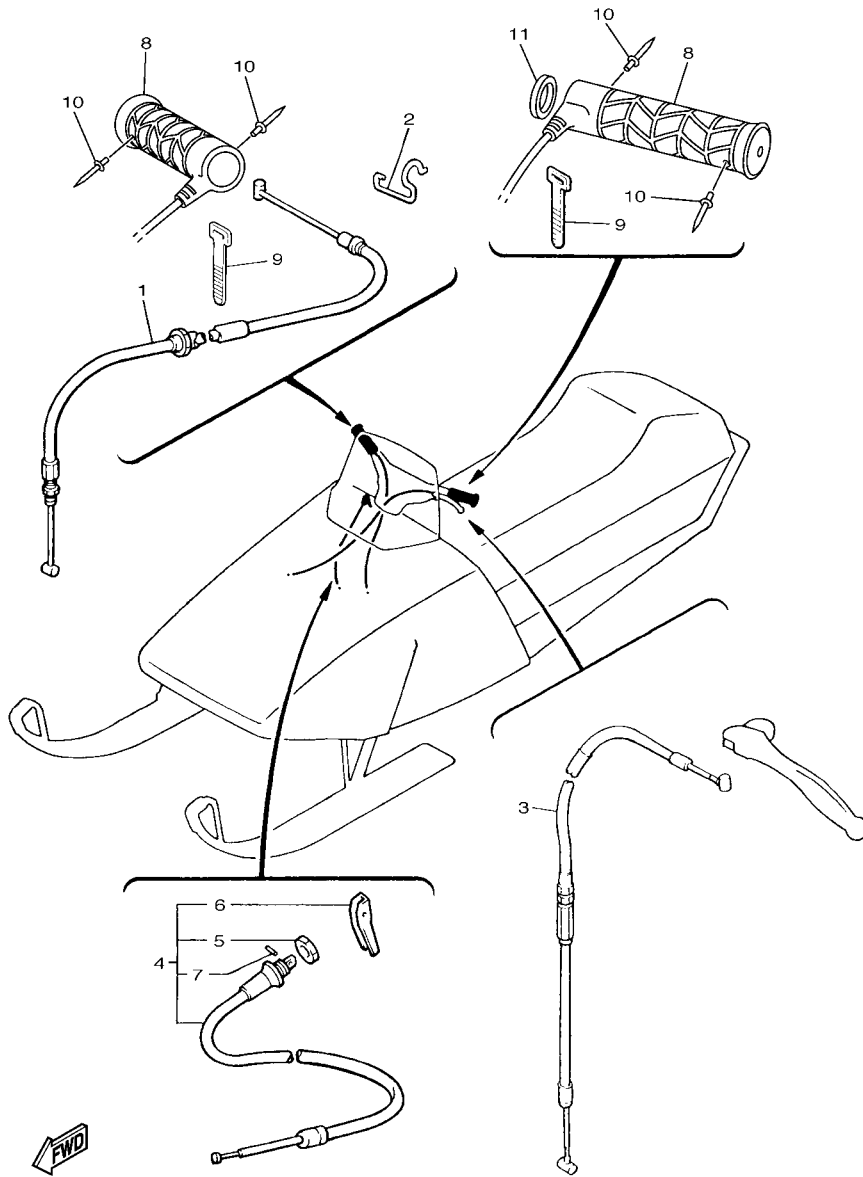
REF. NO.	PART NO.	DESCRIPTION	EUR	RUS	JPN	REMARKS
1	8AC-24730-01	DOUBLE SEAT ASSY	1	1	1	
2	8AC-2470F-00	.SEAT COVER COMP.	1	1	1	
3	83R-24729-00	.SPACER 2	2	2	2	
4	86V-77384-00	.PIN	2	2	2	
5	8AT-24778-00	.BAND, SEAT FITTING	2	2	2	
6	90267-48060	RIVET,BLIND (4.8X12.9 BLACK)	6	6	6	
7	8AC-24790-10	SEAT BACK ASSY	1	1	1	
8	90105-06437	BOLT, FLANGE	4	4	4	




8AU100-3210

FIG. 21 BRAKE

REF. NO.	PART NO.	DESCRIPTION	EUR	RUS	JPN	REMARKS
1	83R-25831-00	DISC, BRAKE (RIGHT)	1	1	1	
2	87R-25730-01	CALIPER BODY COMP.1	1	1	1	
3	86M-25738-00	.SCREW, ADJUSTING 1	1	1	1	
4	87R-25726-01	.LEVER, BRAKE	1	1	1	
5	86M-25827-00	.SHIM, CALIPER	1	1	1	
6	86M-25773-00	.LOCK, ONE WAY 2	1	1	1	
7	86M-25771-00	.RATCHET, ADJUSTING	1	1	1	
8	86M-25772-00	.COVER	1	1	1	
9	86M-25818-00	.BOLT, CALIPER	2	2	2	
10	87R-25721-00	.BRACKET, CALIPER	1	1	1	
11	86M-25826-00	.BOLT 3	1	1	1	
12	87R-25743-00	.SPRING	1	1	1	
13	87R-25722-00	.BRACKET, ADJUSTING	1	1	1	
14	86M-25733-00	.PLATE, BACK UP	1	1	1	
15	86M-25833-00	.BOLT, FITTING	2	2	2	
16	86M-25744-00	.PIN 2	1	1	1	
17	95827-10050	BOLT, FLANGE	2	2	2	
18	89J-25811-00	PAD, CALIPER 2	1	1	1	
19	89J-25911-00	PAD, CALIPER 2	1	1	1	



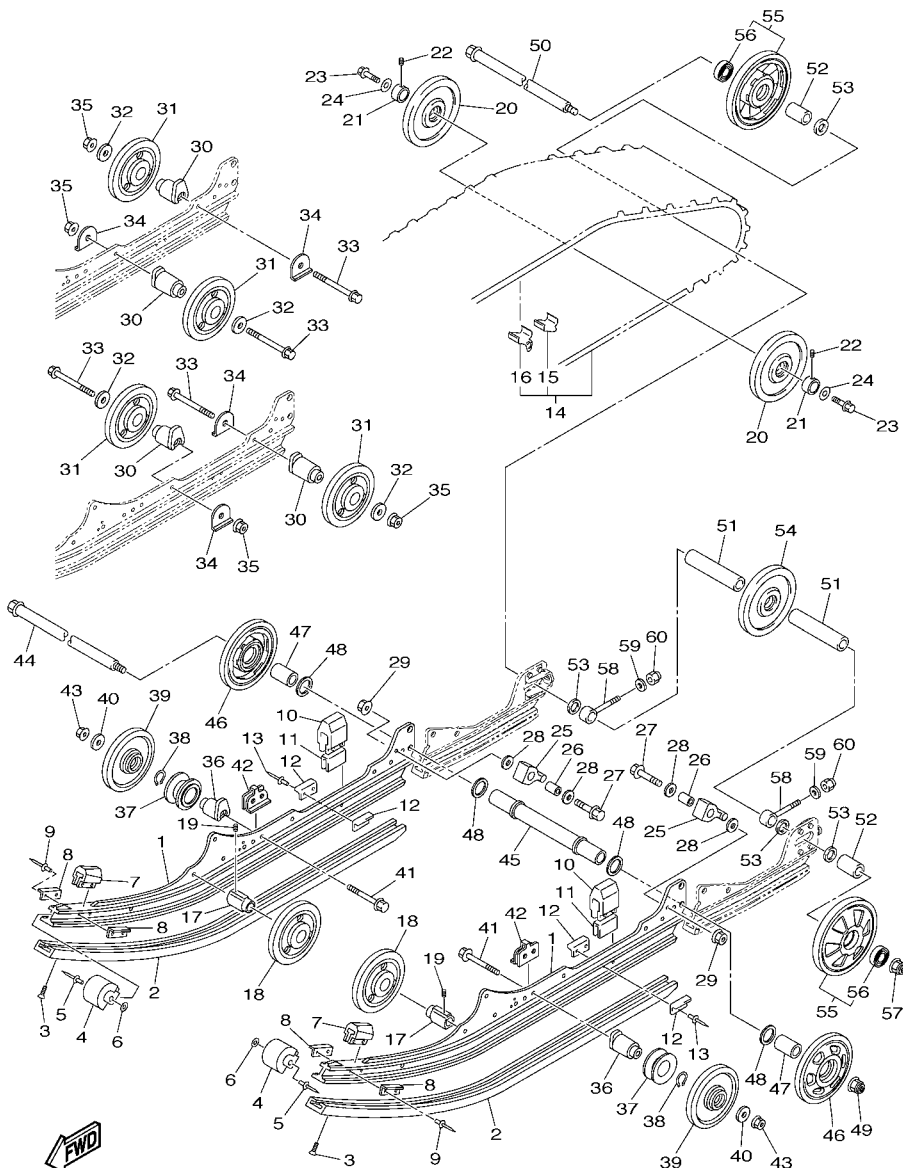
8JD2100-N220

FIG. 22 CONTROL CABLE

REF. NO.	PART NO.	DESCRIPTION	EUR	RUS	JPN	REMARKS
1	83R-26311-10	CABLE, THROTTLE 1	1	1	1	
2	90465-10189	CLAMP	1	1	1	
3	87R-26340-01	CABLE, BRAKE	1	1	1	
4	83R-26331-01	CABLE, STARTER 1	1	1	1	
5	8G8-26333-00	.NUT	1	1	1	
6	8U9-26325-00	.KNOB, STARTER	1	1	1	
7	91609-30010	.PIN, SPRING	1	1	1	
8	8DX-26240-01	GRIP ASSY	2	2	2	
9	437-83936-01	BAND, SWITCH CORD	2	2	2	
10	90267-48014	RIVET, BLIND (4.8X15.1 BLACK)	4	4	4	
11	90387-220X0	COLLAR	1	1	1	

FIG. 23 TRACK SUSPENSION 1

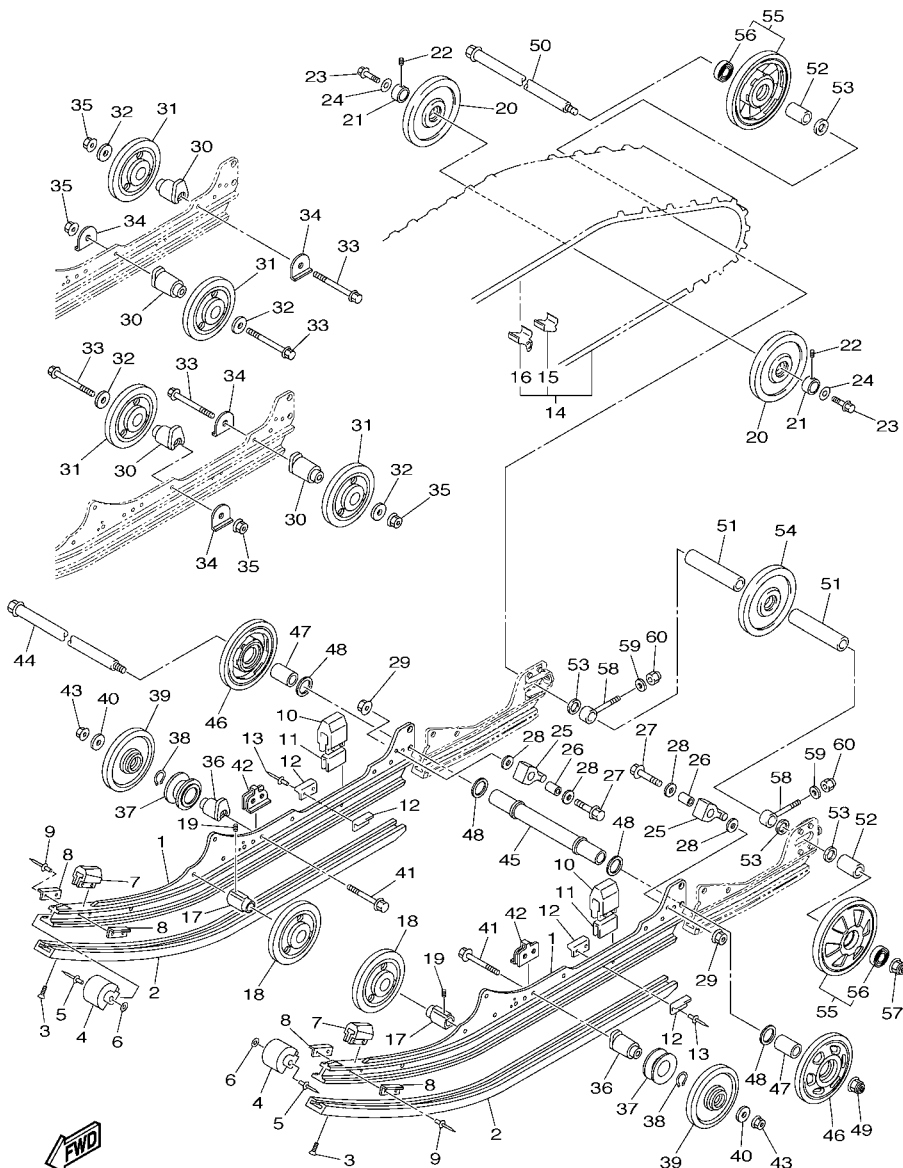
REF. NO.	PART NO.	DESCRIPTION	EUR	RUS	JPN	REMARKS
1	8JE-4741A-00	FRAME, SLIDING	2	2	2	
2	8JD-47421-01	RUNNER, SLIDING 1	2	2	2	
3	90151-06010	SCREW, COUNTERSUNK	2	2	2	
4	8GL-47422-00	RUNNER, SLIDING 2	2	2	2	
5	90267-48194	RIVET, BLIND (4.8X28 SILVER)	4	4	4	
6	90201-047R8	WASHER, PLATE	4	4	4	
7	8ES-47456-00	DAMPER 1	2	2	2	
8	8K2-47458-01	PLATE, DAMPER	4	4	4	
9	90267-48199	RIVET, BLIND (4.8X28.3)	4	4	4	
10	8AC-47457-00	DAMPER 2	2	2	2	
11	8AC-47341-00	SPACER	2	2	2	
12	8AX-47458-00	PLATE, DAMPER	4	4	4	
13	90267-48199	RIVET, BLIND (4.8X28.3)	4	4	4	
14	8JD-47110-01	TRACK ASSY	1	1	1	
15	8HR-47113-09	.PLATE, REINFORCEMENT	72	72	72	
16	8HR-47115-09	.METAL, SLIDE	36	36	36	
17	8ES-47319-01	COLLAR	2	2	2	
18	8ES-47310-10	SUSPENSION WHEEL ASSY	2	2	2	
19	90113-06039	BOLT, SET	2	2	2	
20	8AC-47550-00	GUIDE WHEEL ASSY	2	2	2	
21	8JD-47365-00	COLLAR 1	2	2	2	
22	90113-06039	BOLT, SET	2	2	2	
23	90109-10030	BOLT	2	2	2	
24	90201-10072	WASHER, PLATE	2	2	2	
25	8JH-47496-00	STOPPER 2	2	2	2	
26	90387-105G5	COLLAR	2	2	2	
27	97012-10050	BOLT	2	2	2	



8JD2100-N230

FIG. 23 TRACK SUSPENSION 1

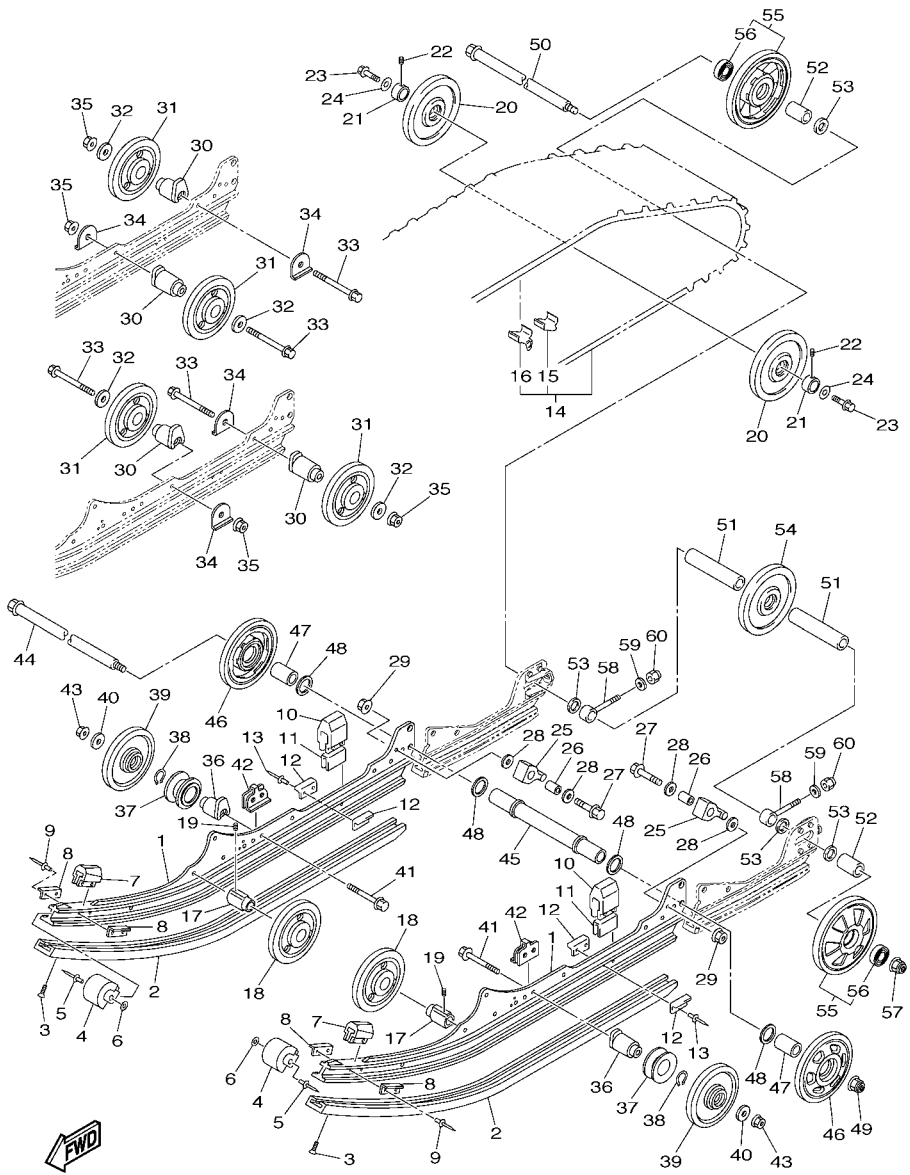
REF. NO.	PART NO.	DESCRIPTION	EUR	RUS	JPN	REMARKS
28	90201-10051	WASHER, PLATE	4	4	4	
29	95602-10200	NUT, U FLANGE	2	2	2	
30	8ES-47419-00	BRACKET 7	4	4	4	
31	8ES-47310-00	SUSPENSION WHEEL ASSY	4	4	4	
32	90201-101U2	WASHER, PLATE	4	4	4	
33	95812-10080	BOLT, FLANGE	4	4	4	
34	90214-10003	WASHER, CLAW	4	4	4	
35	95602-10200	NUT, U FLANGE	4	4	4	
36	8ES-47419-10	BRACKET 7	2	2	2	
37	8ET-47446-00	HOOK 1	2	2	2	
38	99009-35400	CIRCLIP	2	2	2	
39	8ES-47310-00	SUSPENSION WHEEL ASSY	2	2	2	
40	90201-101U2	WASHER, PLATE	2	2	2	
41	95812-10080	BOLT, FLANGE	2	2	2	
42	8HP-47384-00	WASHER	2	2	2	
43	95602-10200	NUT, U FLANGE	2	2	2	
44	8JN-47520-00	REAR AXLE COMP.	1	1	1	
45	83R-47469-10	COLLAR 1	1	1	1	
46	8HP-47310-10	SUSPENSION WHEEL ASSY	2	2	2	
47	90387-20022	COLLAR	2	2	2	
48	90201-20022	WASHER, PLATE	4	4	4	
49	95602-14200	NUT, SELF-LOCKING	1	1	1	
50	8JN-47520-00	REAR AXLE COMP.	1	1	1	
51	90387-20023	COLLAR	2	2	2	
52	90387-20022	COLLAR	2	2	2	
53	90201-20022	WASHER, PLATE	4	4	4	
54	8CR-47550-10	GUIDE WHEEL ASSY	1	1	1	



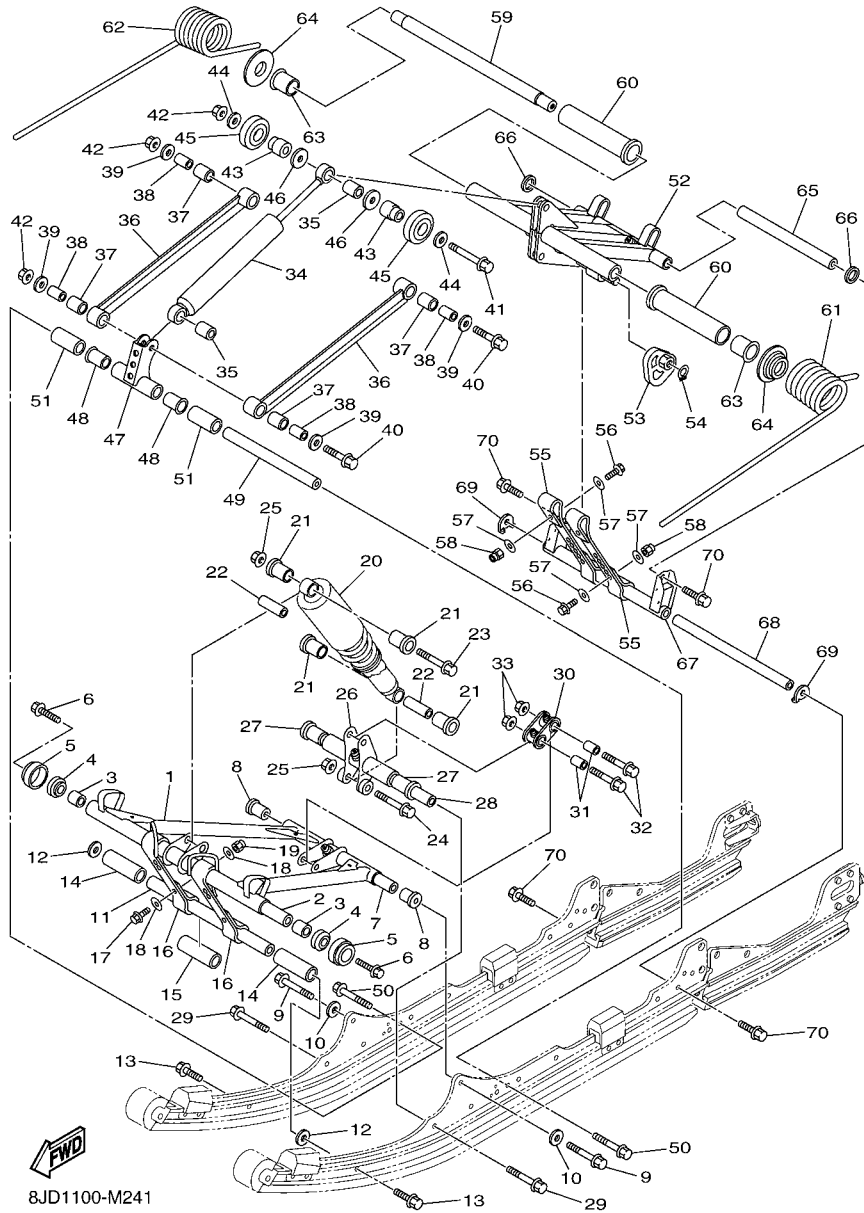
8JD2100-N230

FIG. 23 TRACK SUSPENSION 1

REF. NO.	PART NO.	DESCRIPTION	EUR	RUS	JPN	REMARKS
55	8HF-47550-10	GUIDE WHEEL ASSY	2	2	2	
56	93306-00444	.BEARING	1	1	1	
57	95602-14200	NUT, SELF-LOCKING	1	1	1	
58	8DM-47479-00	COLLAR 3	2	2	2	
59	92902-10600	WASHER, PLATE	2	2	2	
60	95702-10300	NUT, NYLON	2	2	2	



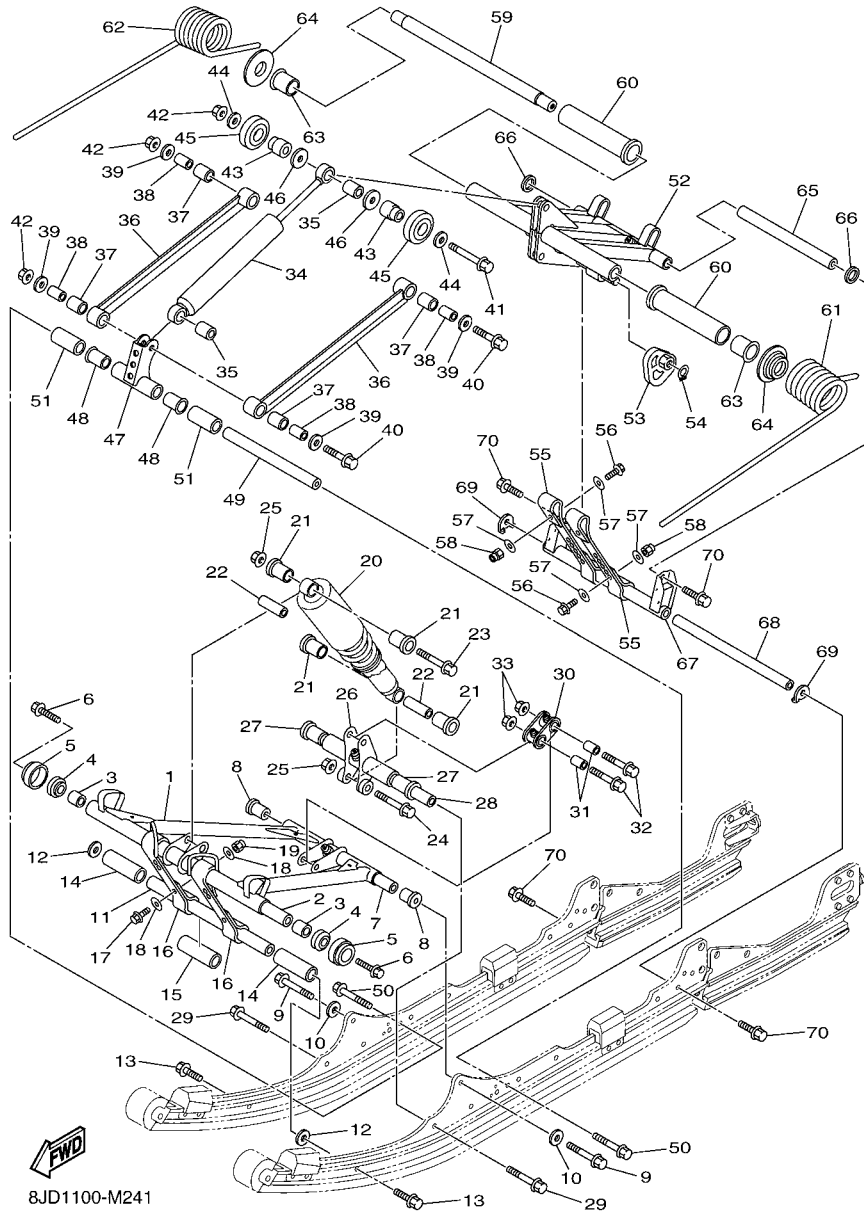
8JD2100-N230



8JD1100-M241

FIG. 24 TRACK SUSPENSION 2

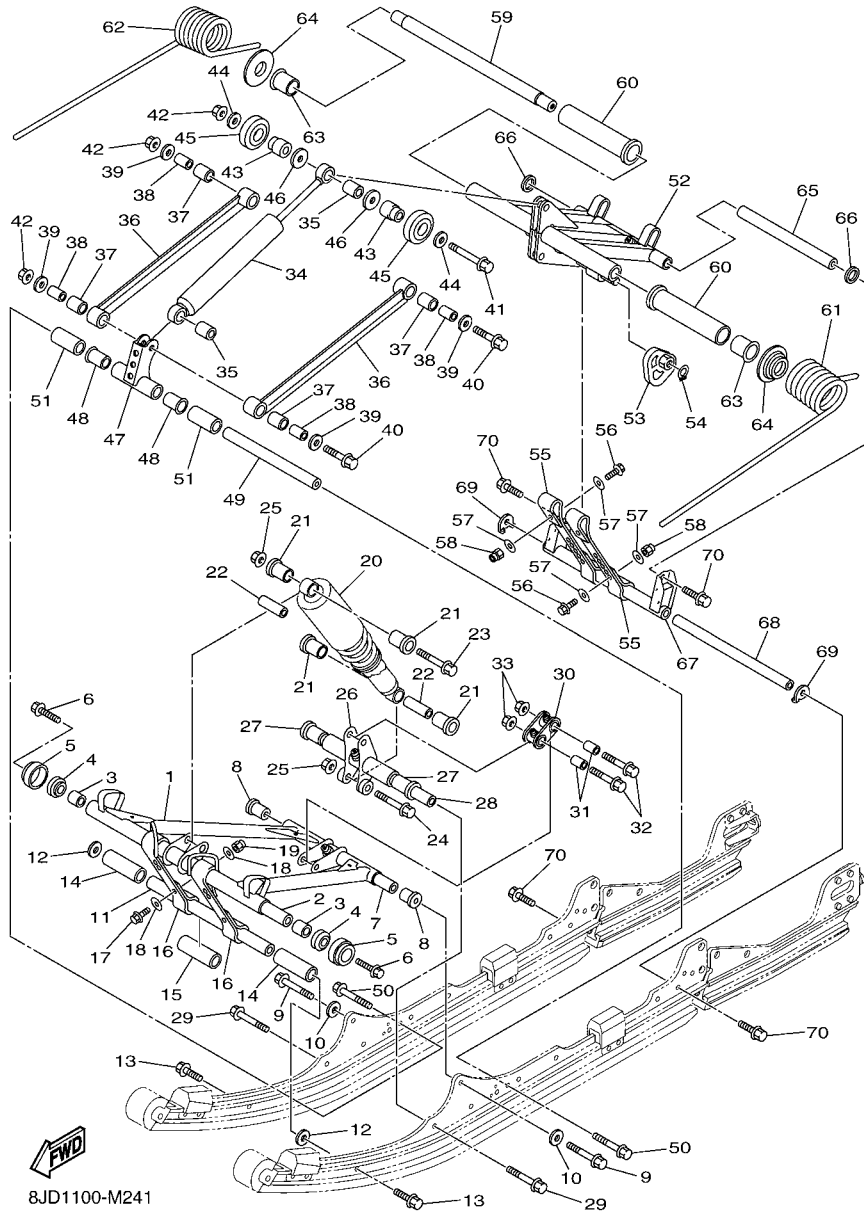
REF. NO.	PART NO.	DESCRIPTION	EUR	RUS	JPN	REMARKS
1	8JD-47331-00	ARM, PIVOT 1	1	1	1	
2	8JD-47465-00	SHAFT 1	1	1	1	
3	90383-23002	BUSH, FORMED	2	2	2	
4	93108-37011	OIL SEAL	2	2	2	
5	8HF-47341-00	SPACER	2	2	2	
6	90109-10030	BOLT	2	2	2	
7	8JD-47486-00	SHAFT 4	1	1	1	
8	90387-10022	COLLAR	2	2	2	
9	90105-10329	BOLT, FLANGE	2	2	2	
10	90201-10072	WASHER, PLATE	2	2	2	
11	83R-47485-02	SHAFT 3	1	1	1	
12	90201-10126	WASHER, PLATE	2	2	2	
13	90105-10237	BOLT, FLANGE	2	2	2	
14	90387-19002	COLLAR	2	2	2	
15	90387-19007	COLLAR	1	1	1	
16	8JD-47495-00	STOPPER 1	2	2	2	
17	97002-06025	BOLT	4	4	4	
18	90201-06081	WASHER, PLATE	8	8	8	
19	95702-06300	NUT, NYLON	4	4	4	
20	8AC-47481-00	SHOCK ABSORBER 2	1	1		
	8JD-47481-00	SHOCK ABSORBER 2		1		
21	90381-14101	BUSH, SOLID	4	4	4	
22	90387-105G5	COLLAR	2	2	2	
23	95812-10045	BOLT, FLANGE	1	1	1	
24	95812-10070	BOLT, FLANGE	1	1	1	
25	95602-10200	NUT, U FLANGE	2	2	2	
26	8JD-47349-00	BRACKET, ARM PIVOT	1	1	1	



8JD1100-M241

FIG. 24 TRACK SUSPENSION 2

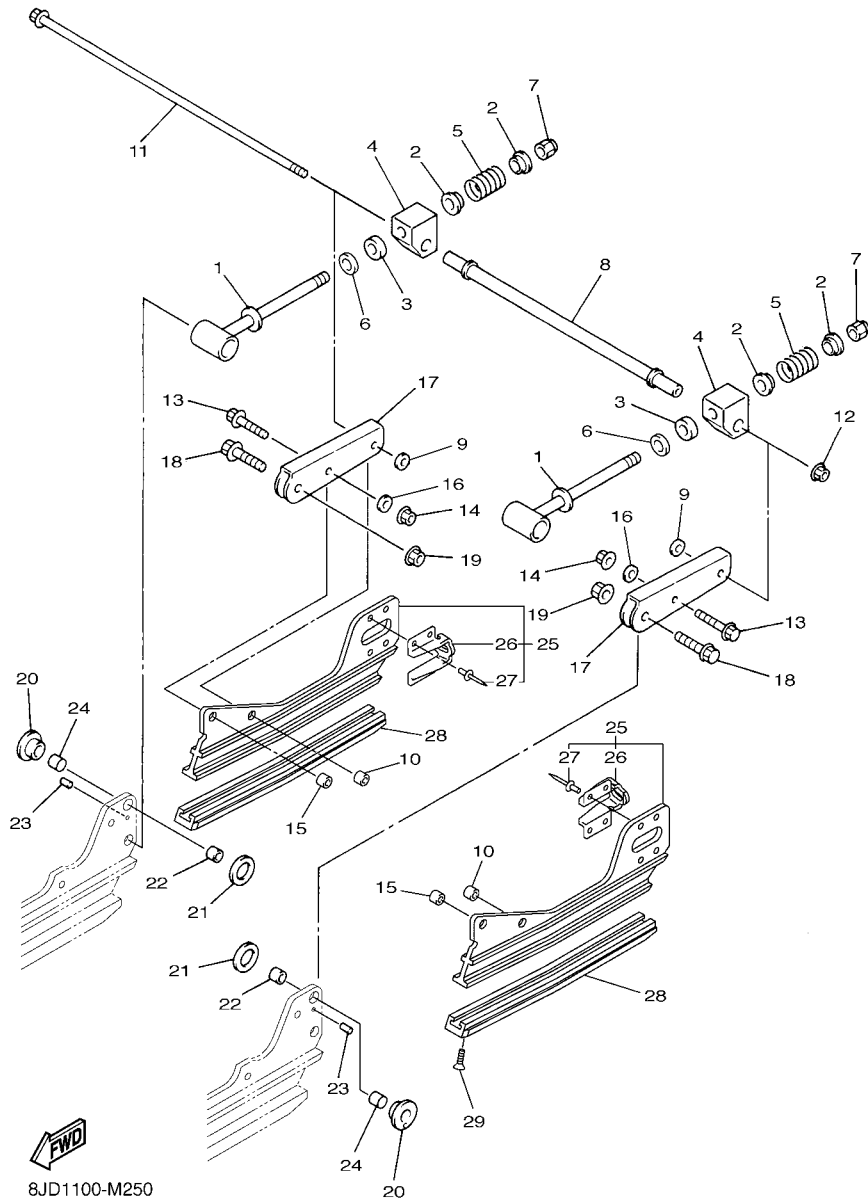
REF. NO.	PART NO.	DESCRIPTION	EUR	RUS	JPN	REMARKS
27	90386-20001	BUSH	2	2	2	
28	8JD-47487-00	SHAFT 5	1	1	1	
29	90105-10209	BOLT, FLANGE	2	2	2	
30	8FK-47416-01	BRACKET 2	1	1	1	
31	90387-10024	COLLAR	2	2	2	
32	95812-10050	BOLT, FLANGE	2	2	2	
33	95602-10200	NUT, U FLANGE	2	2	2	
34	8JD-47480-00	SHOCK ABSORBER	1	1	1	
35	90387-10023	COLLAR	2	2	2	
36	8HF-47494-00	ROD, RELAY	2	2	2	
37	90386-16001	BUSH	4	4	4	
38	90387-101A1	COLLAR	4	4	4	
39	90201-10043	WASHER, PLATE	4	4	4	
40	95812-10090	BOLT, FLANGE	2	2	2	
41	90105-10027	BOLT, FLANGE	1	1	1	
42	95602-10200	NUT, U FLANGE	3	3	3	
43	8AC-47366-00	COLLAR 2	2	2	2	
44	90201-10136	WASHER, PLATE	2	2	2	
45	8AC-47310-10	SUSPENSION WHEEL ASSY	2	2	2	
46	90201-103U7	WASHER, PLATE	2	2	2	
47	8JD-47349-10	BRACKET, ARM PIVOT	1	1	1	
48	90386-20001	BUSH	2	2	2	
49	8JD-47487-10	SHAFT 5	1	1	1	
50	90105-10209	BOLT, FLANGE	2	2	2	
51	8HP-47319-00	COLLAR	2	2	2	
52	8JD-47332-00	ARM, PIVOT 2	1	1	1	
53	8ES-47447-00	HOOK 2	2	2	2	



8JD1100-M241

FIG. 24 TRACK SUSPENSION 2

REF. NO.	PART NO.	DESCRIPTION	EUR	RUS	JPN	REMARKS
54	99009-14400	CIRCLIP	2	2	2	
55	8JD-47496-00	STOPPER 2	2	2	2	
56	97002-06025	BOLT	4	4	4	
57	90201-06081	WASHER, PLATE	8	8	8	
58	95702-06300	NUT, NYLON	4	4	4	
59	8JD-47475-00	SHAFT 2	1	1	1	
60	8GL-47445-00	PROTECTOR	2	2	2	
61	8FM-47473-10	SPRING, REAR 1(K=3200NMM/DEG)	1	1	1	
62	8FM-47474-10	SPRING, REAR 2(K=3200NMM/DEG)	1	1	1	
63	90381-28108	BUSH, SOLID	2	2	2	
64	8ES-47467-00	PLATE, GUIDE	2	2	2	
65	8JD-47488-00	SHAFT 6	1	1	1	
66	90201-19008	WASHER, PLATE	2	2	2	
67	8JD-47417-00	BRACKET 3	1	1	1	
68	83R-47485-02	SHAFT 3	1	1	1	
69	90214-10007	WASHER, CLAW	2	2	2	
70	90105-10237	BOLT, FLANGE	4	4	4	



8JD1100-M250

FIG. 25 TRACK SUSPENSION 3

REF. NO.	PART NO.	DESCRIPTION	EUR	RUS	JPN	REMARKS
1	83R-47337-10	SHAFT, PIVOT	2	2	2	
2	83R-23768-00	SEAT, SPRING 1	4	4	4	
3	83R-47335-00	SPRING	2	2	2	
4	83R-47446-00	HOOK 1	2	2	2	
5	90501-407E4	SPRING, COMPRESSION	2	2	2	
6	90201-12317	WASHER, PLATE	2	2	2	
7	90185-12058	NUT, SELF-LOCKING	2	2	2	
8	8AC-47478-10	COLLAR 2	1	1	1	
9	90201-08649	WASHER, PLATE	2	2	2	
10	90387-082J1	COLLAR	2	2	2	
11	90105-08483	BOLT, FLANGE	1	1	1	
12	95602-08200	NUT, SELF-LOCKING	1	1	1	
13	95812-08035	BOLT, FLANGE	2	2	2	
14	95602-08200	NUT, SELF-LOCKING	2	2	2	
15	90387-082J1	COLLAR	2	2	2	
16	90201-08649	WASHER, PLATE	2	2	2	
17	8FM-47333-10	ARM, PIVOT 3	2	2	2	
18	95812-10030	BOLT, FLANGE	2	2	2	
19	90185-10019	NUT, SELF-LOCKING	2	2	2	
20	90387-1815A	COLLAR	2	2	2	
21	90202-22238	WASHER, PLATE	2	2	2	
22	90387-1014Y	COLLAR	2	2	2	
23	91609-30008	PIN, SPRING	2	2	2	
24	90380-16109	BUSH, SOLID	2	2	2	
25	8FM-W4741-10	FRAME, SLIDING	2	2	2	
26	8DM-4741B-00	.BRACKET	1	1	1	
27	8V0-47468-00	.RIVET	4	4	4	

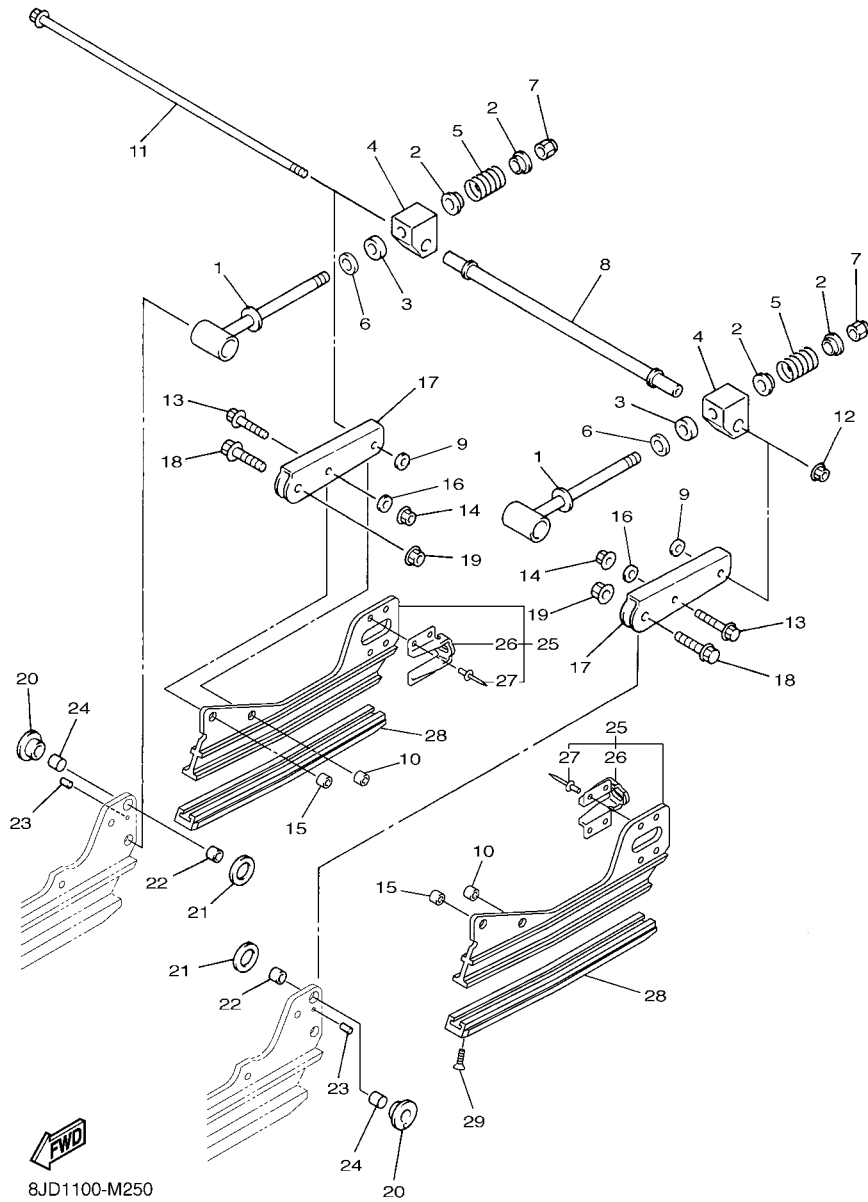
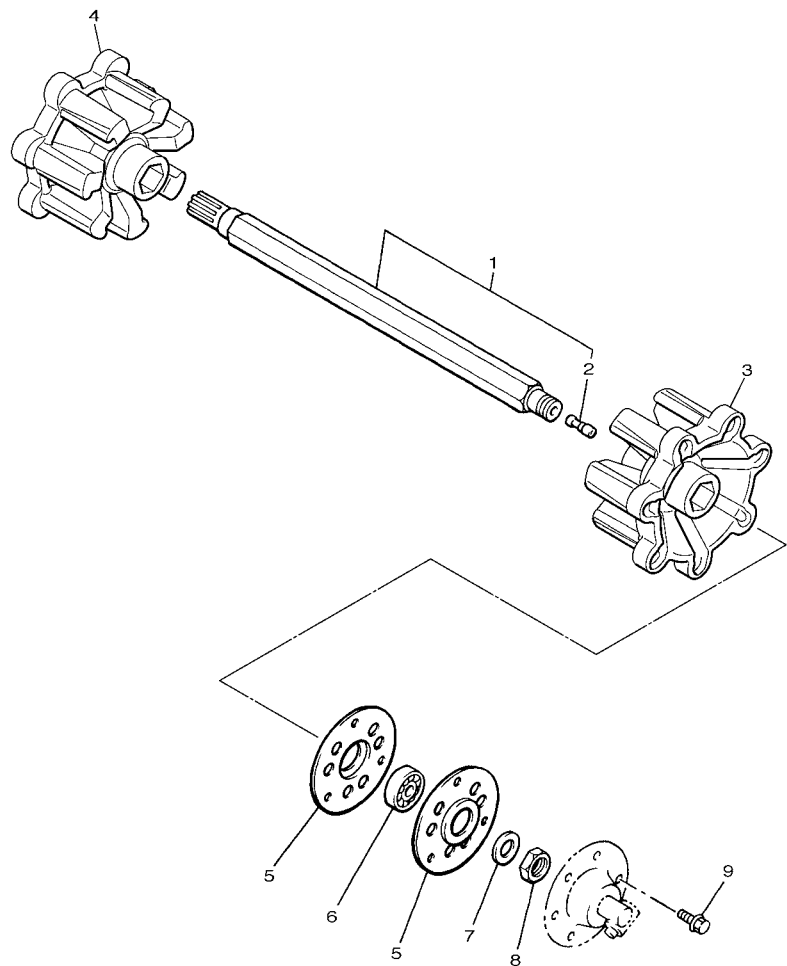


FIG. 25 TRACK SUSPENSION 3

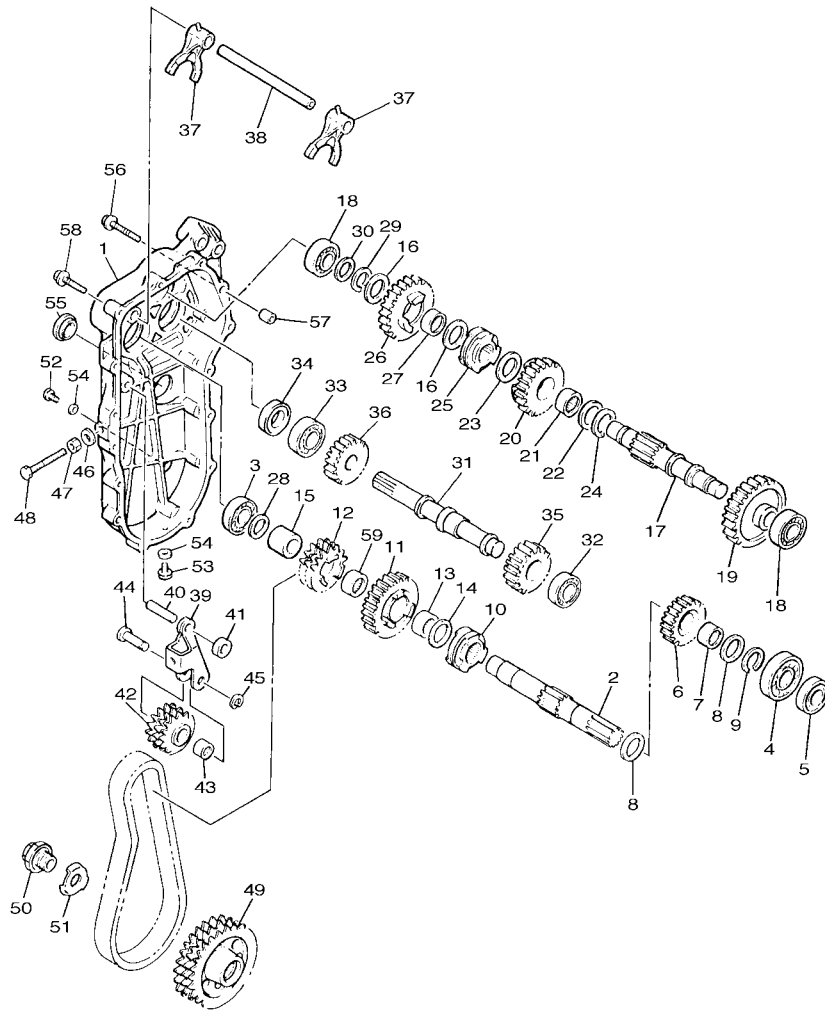
REF. NO.	PART NO.	DESCRIPTION	EUR	RUS	JPN	REMARKS
28	8FM-47424-00	RUNNER, SLIDING 4	2	2	2	
29	90151-06010	SCREW, COUNTERSUNK	2	2	2	



8JD1100-M260

FIG. 26 TRACK DRIVE 1

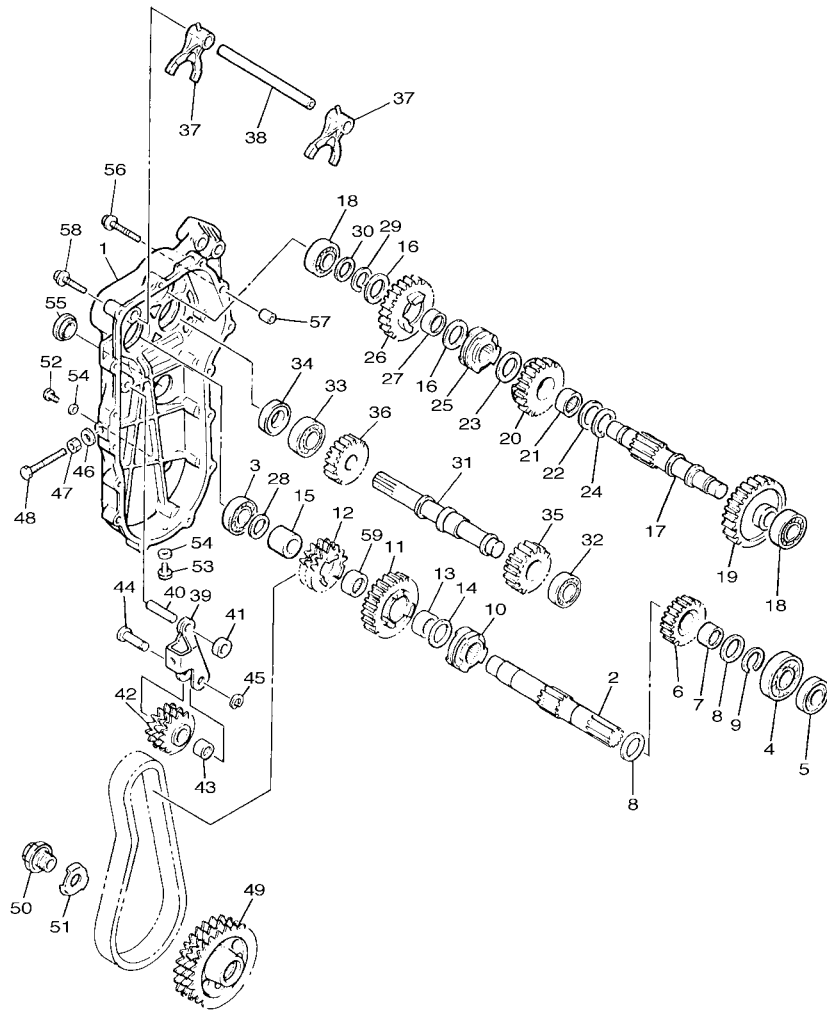
REF. NO.	PART NO.	DESCRIPTION	EUR	RUS	JPN	REMARKS
1	83R-W4751-10	AXLE, FRONT	1	1	1	
2	8K4-47577-00	.CONNECTOR	1	1	1	
3	8JD-47531-00	WHEEL, SPROCKET 1	1	1	1	
4	8JD-47532-00	WHEEL, SPROCKET 2	1	1	1	
5	83R-47551-00	HOUSING, FRONT AXLE	2	2	2	
6	93306-00507	BEARING	1	1	1	
7	90208-25045	WASHER, CONICAL SPRING	1	1	1	
8	90170-25367	NUT	1	1	1	
9	95822-08014	BOLT, FLANGE	3	3	3	



8JD2100-N270

FIG. 27 TRACK DRIVE 2

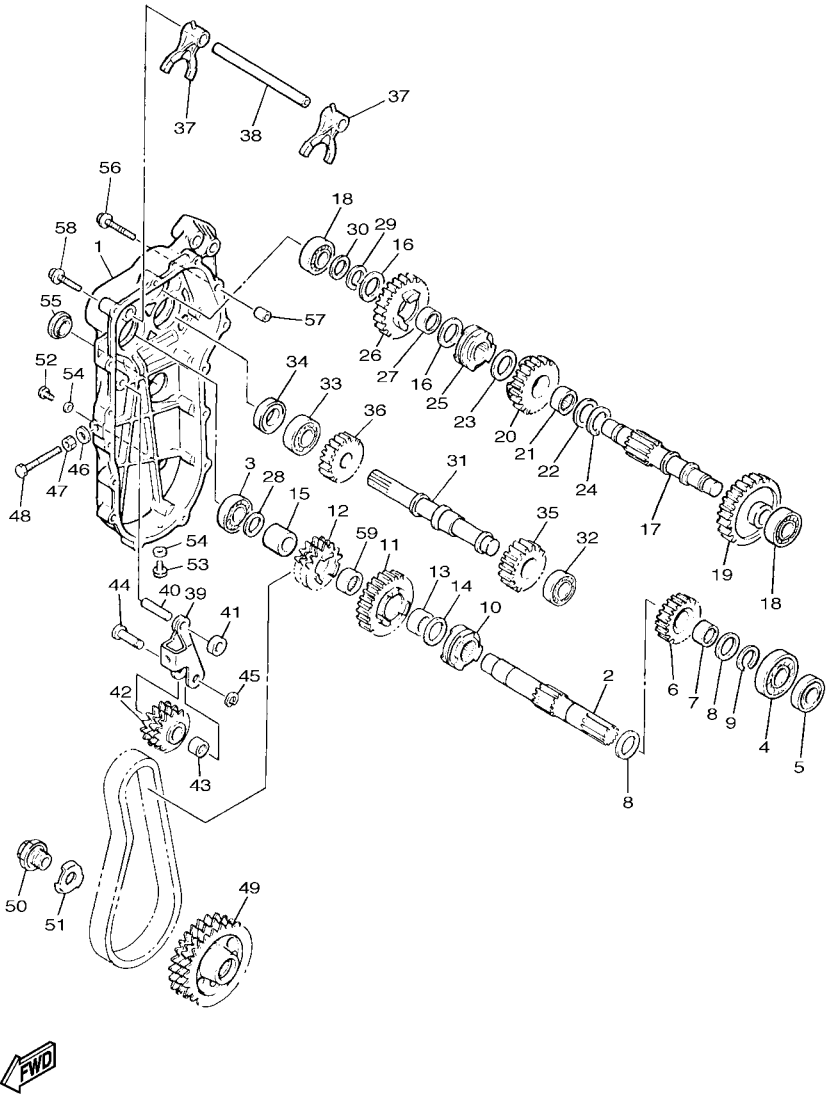
REF. NO.	PART NO.	DESCRIPTION	EUR	RUS	JPN	REMARKS
1	83R-47543-00	CAP, HOUSING	1	1	1	
2	85R-17421-00	AXLE, DRIVE	1	1	1	
3	93306-20402	BEARING	1	1	1	
4	93306-37206	BEARING	1	1	1	
5	93102-22014	OIL SEAL	1	1	1	
6	83R-17121-00	GEAR, 2ND PINION (22T)	1	1	1	
7	93311-42265	BEARING	1	1	1	
8	90201-224L4	WASHER, PLATE	2	2	2	
9	99009-22400	CIRCLIP	1	1	1	
10	83R-17492-10	DOG, TRANSMISSION SHIFT	1	1	1	
11	8AT-17131-00	GEAR, 3RD PINION (28T)	1	1	1	
12	8JD-17682-00	SPROCKET, CHAIN DRIVE (18T)	1	1	1	
13	93317-32241	BEARING	1	1	1	
14	90201-224L4	WASHER, PLATE	1	1	1	
15	90387-226V7	COLLAR	1	1	1	
16	90201-20792	WASHER, PLATE	2	2	2	
17	83R-17431-00	AXLE, COUNTER	1	1	1	
18	93306-20321	BEARING	2	2	2	
19	8AT-17141-00	GEAR, 4TH PINION (28T)	1	1	1	
20	83R-17151-00	GEAR, 5TH PINION (22T)	1	1	1	
21	93317-32241	BEARING	1	1	1	
22	90201-224L4	WASHER, PLATE	1	1	1	
23	90201-225L2	WASHER, PLATE	1	1	1	
24	99009-22400	CIRCLIP	1	1	1	
25	83R-17492-10	DOG, TRANSMISSION SHIFT	1	1	1	
26	83R-17143-00	GEAR, REVERSE PINION 1 (27T)	1	1	1	
27	93317-22021	BEARING	1	1	1	



8JD2100-N270

FIG. 27 TRACK DRIVE 2

REF. NO.	PART NO.	DESCRIPTION	EUR	RUS	JPN	REMARKS
28	90201-20792	WASHER, PLATE	1	1	1	
29	99009-20400	CIRCLIP	1	1	1	
30	90201-171J5	WASHER, PLAIN	1	1	1	
31	83R-17432-01	AXLE, IDLE	1	1	1	
32	93306-20321	BEARING	1	1	1	
33	93306-20402	BEARING	1	1	1	
34	93102-20010	OIL SEAL	1	1	1	
35	83R-17243-00	GEAR, REVERSE WHEEL 1 (19T)	1	1	1	
36	83R-17153-00	GEAR, REVERSE PINION 2 (20T)	1	1	1	
37	83R-18511-00	FORK, SHIFT 1	2	2	2	
38	83R-18531-00	BAR, SHIFT FORK GUIDE 1	1	1	1	
39	83R-47613-00	HOLDER	1	1	1	
40	93612-44229	PIN, DOWEL	1	1	1	
41	90387-121E8	COLLAR	1	1	1	
42	83R-47612-00	WHEEL	1	1	1	
43	93315-21227	BEARING	1	1	1	
44	90249-12216	PIN	1	1	1	
45	99009-12400	CIRCLIP	1	1	1	
46	90210-10004	WASHER, SEAL	1	1	1	
47	95302-10700	NUT	1	1	1	
48	90101-10357	BOLT	1	1	1	
49	8JD-47548-00	SPROCKET, CHAIN DRIVEN (22T)	1	1	1	
50	90105-27484	BOLT, FLANGE	1	1	1	
51	90215-39268	WASHER, LOCK	1	1	1	
52	97007-06010	BOLT	1	1	1	
53	98907-06008	SCREW, BIND	1	1	1	
54	90430-06016	GASKET	2	2	2	

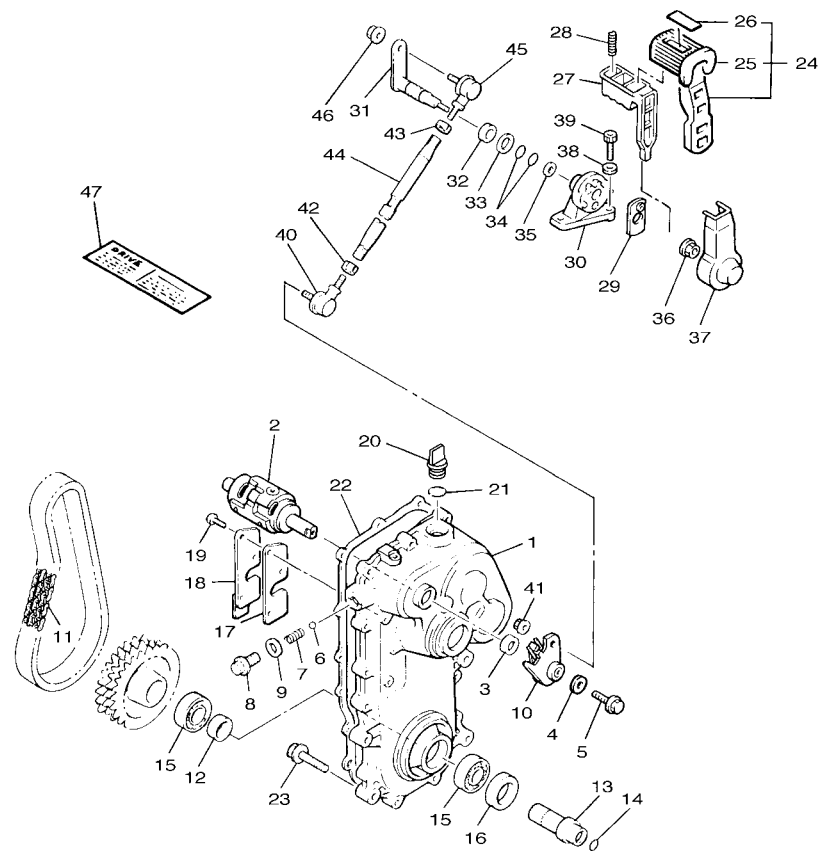


8JD2100-N270

FIG. 27 TRACK DRIVE 2

REF. NO.	PART NO.	DESCRIPTION	EUR	RUS	JPN	REMARKS
55	90338-30219	PLUG	1	1	1	
56	95812-06045	BOLT, FLANGE	2	2	2	
57	99530-10114	PIN, DOWEL	2	2	2	
58	95812-06035	BOLT, FLANGE	13	13	13	
59	93317-222B2	BEARING	1	1	1	
<hr/>						
<hr/>						
<hr/>						
<hr/>						
<hr/>						
<hr/>						
<hr/>						

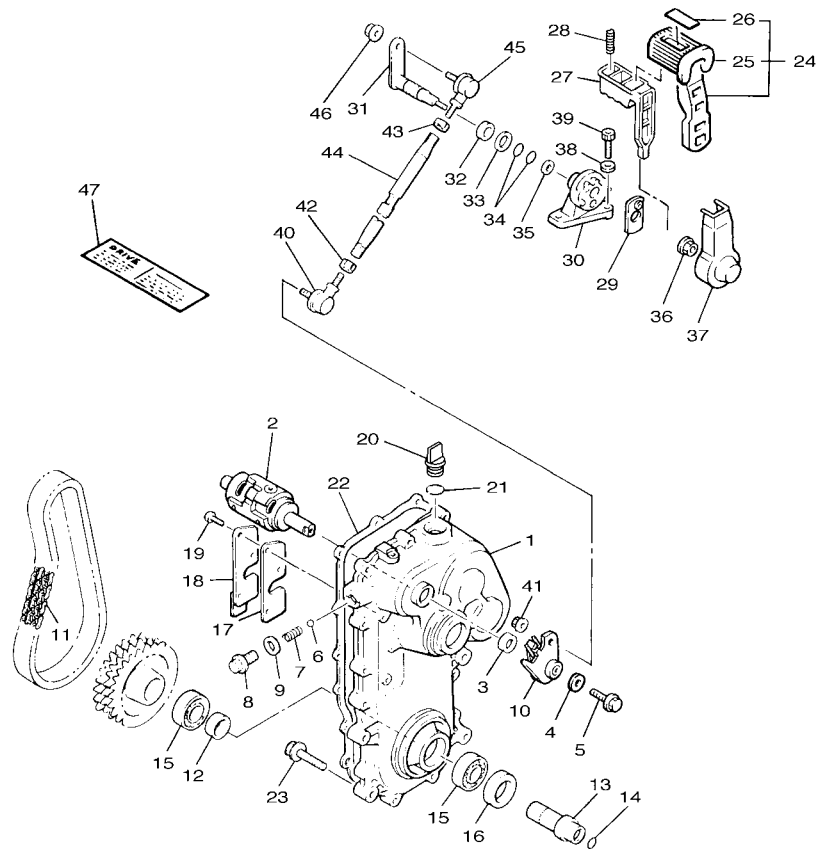
FIG. 28 TRACK DRIVE 3



8ACT100-K290

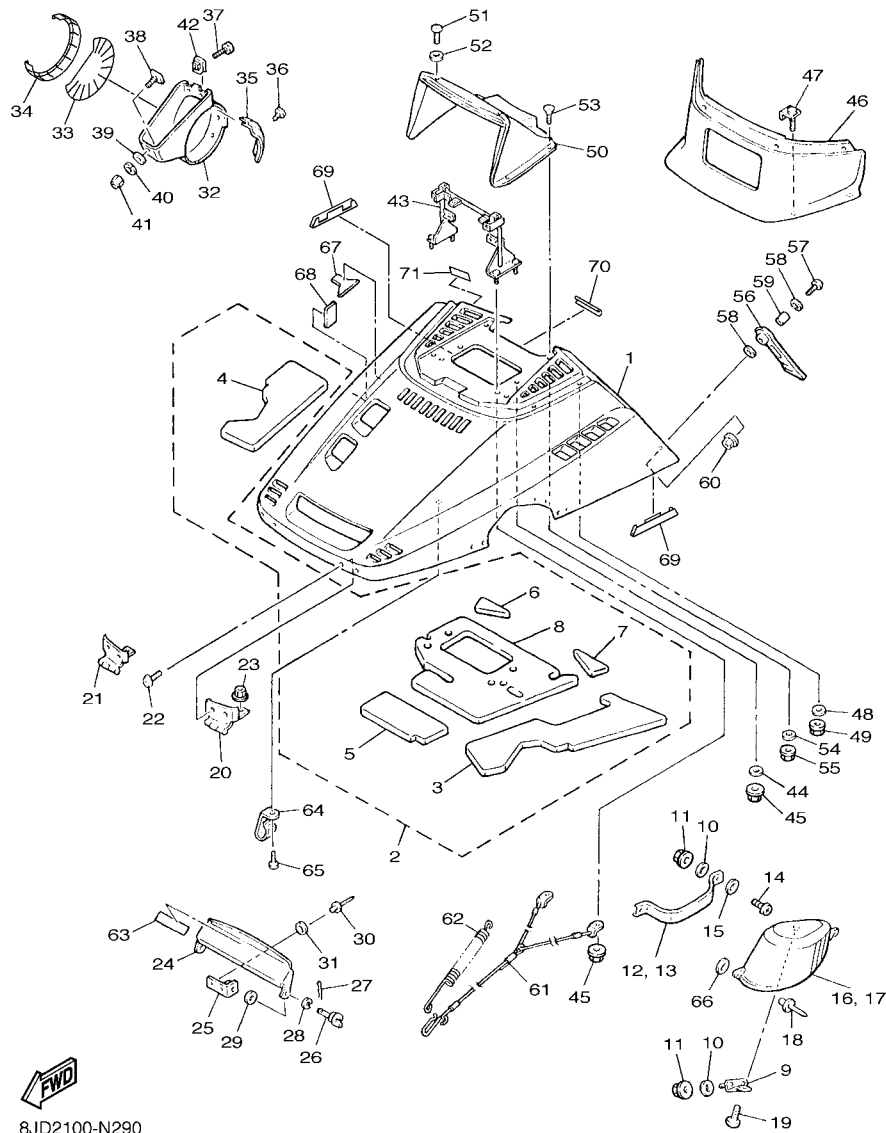
REF. NO.	PART NO.	DESCRIPTION	EUR	RUS	JPN	REMARKS
1	87R-47541-00	HOUSING, CHAIN	1	1	1	
2	89N-18540-00	SHIFT CAM ASSY	1	1	1	
3	93102-15212	OIL SEAL	1	1	1	
4	90201-06072	WASHER, PLATE	1	1	1	
5	90105-06405	BOLT, FLANGE	1	1	1	
6	93503-08007	BALL	1	1	1	
7	90501-147A6	SPRING, COMPRESSION	1	1	1	
8	90105-14003	BOLT, FLANGE	1	1	1	
9	90430-14194	GASKET	1	1	1	
10	89N-18130-01	SHIFT SHAFT ASSY	1	1	1	
11	94880-06070	CHAIN (DID35P-3)	1	1	1	
12	90387-405T8	COLLAR	1	1	1	
13	83R-47571-00	JOURNAL 1	1	1	1	
14	93210-28763	O-RING	1	1	1	
15	93306-90802	BEARING	2	2	2	
16	93102-46394	OIL SEAL	1	1	1	
17	85R-47544-01	GASKET	1	1	1	
18	88N-47591-00	PLATE	1	1	1	
19	90154-06050	SCREW, BINDING	3	3	3	
20	3Y1-15363-10	PLUG, OIL	1	1	1	
21	93210-19123	O-RING	1	1	1	
22	85R-47592-00	GASKET	1	1	1	
23	95812-08040	BOLT, FLANGE	4	4	4	
24	83R-18150-00	SHIFT LEVER ASSY	1	1	1	
25	52G-18113-00	.COVER, SHIFT PEDAL	1	1	1	
26	83R-1815A-00	.LABEL	1	1	1	
27	59V-18174-00	KNOB, SHIFT LEVER	1	1	1	

FIG. 28 TRACK DRIVE 3



8ACT100-K290

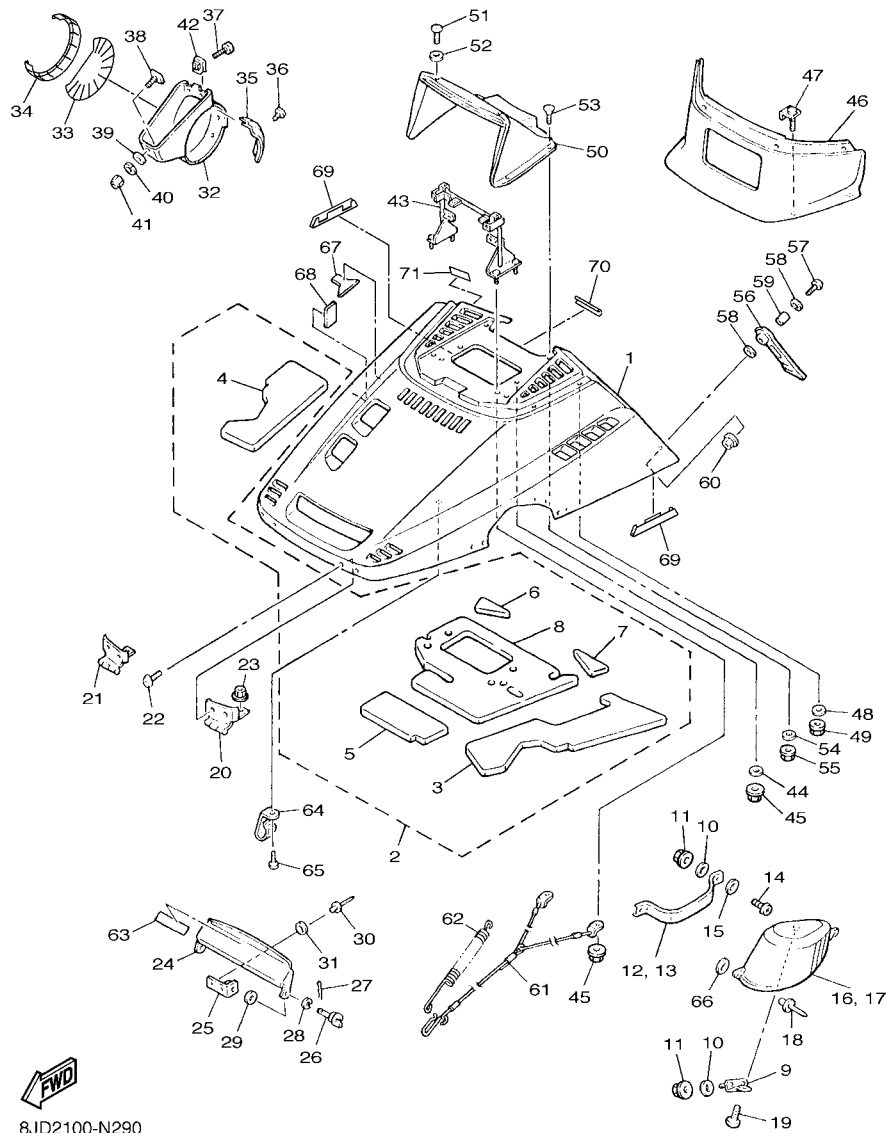
REF. NO.	PART NO.	DESCRIPTION	EUR	RUS	JPN	REMARKS
28	90501-101A7	SPRING, COMPRESSION	1	1	1	
29	59V-18561-00	PLATE, SIDE 1	1	1	1	
30	83R-18153-00	GUIDE, SHIFT RETURN SPRING	1	1	1	
31	83R-18341-00	SHAFT, RINK	1	1	1	
32	90387-145T7	COLLAR	1	1	1	
33	90201-144J2	WASHER, PLATE	1	1	1	
34	93210-10010	O-RING	2	2	2	
35	90201-064J1	WASHER, PLATE	1	1	1	
36	95702-06500	NUT, FLANGE	1	1	1	
37	59V-18433-00	COVER, SHIFT SPRING	1	1	1	
38	92902-06600	WASHER, PLATE	3	3	3	
39	91312-06025	BOLT	3	3	3	
40	3X3-18157-10	JOINT 2	1	1	1	
41	95702-06500	NUT, FLANGE	1	1	1	
42	95312-08600	NUT	1	1	1	
43	90170-08261	NUT	1	1	1	
44	83R-18116-00	JOINT, ROD 1	1	1	1	
45	3X3-18156-10	JOINT 1	1	1	1	
46	95702-06500	NUT, FLANGE	1	1	1	
47	8JD-47578-00	LABEL 1	1	1		



8JD2100-N290

FIG. 29 SHROUD

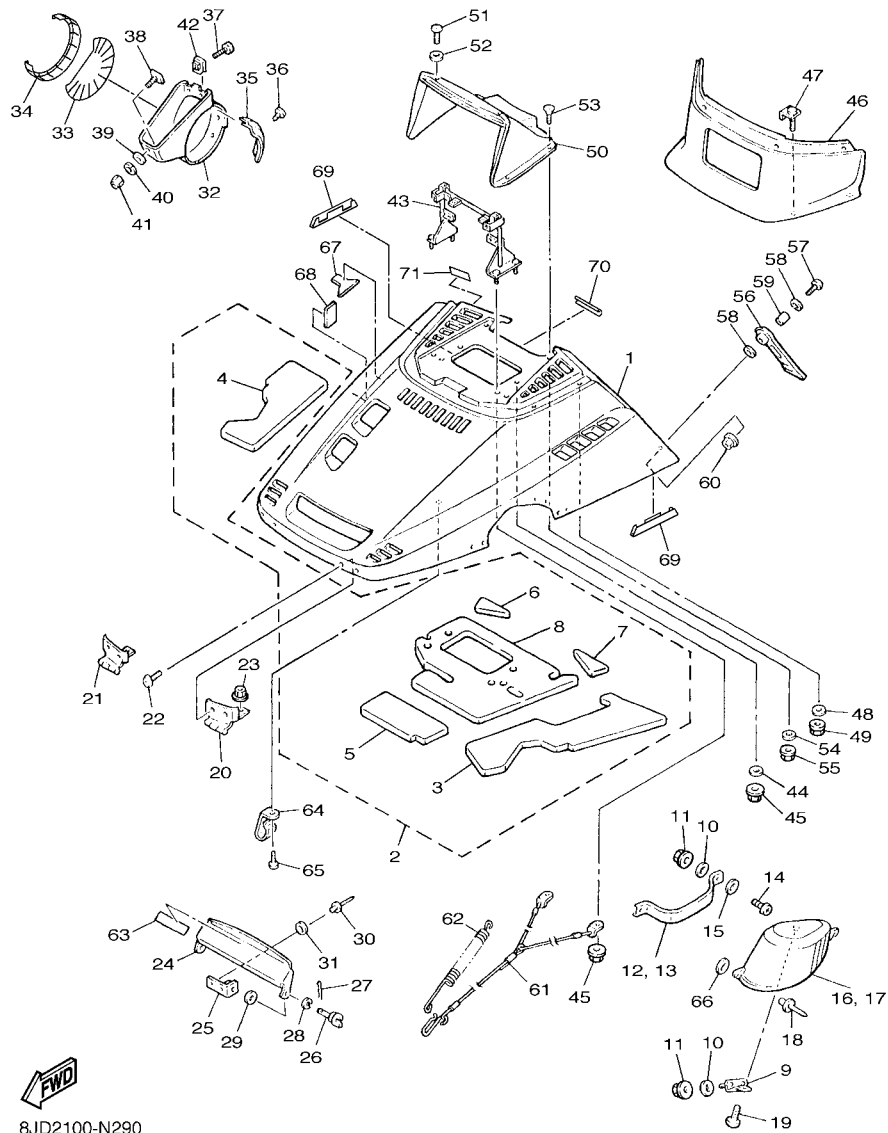
REF. NO.	PART NO.	DESCRIPTION	EUR	RUS	JPN	REMARKS
1	8AC-77111-B0-P2	SHROUD	1	1	1	UR FOR SMX
	8AC-77111-B0-P5	SHROUD	1	1	1	UR FOR S3
2	8JD-W7726-00	LINING SET	1	1	1	
3	8AT-77261-00	.LINING, SHROUD 1	1	1	1	
4	8JD-77268-00	.LINING, SHROUD 8	1	1	1	
5	8AT-77264-00	.LINING, SHROUD 4	1	1	1	
6	8AT-77265-00	.LINING, SHROUD 5	1	1	1	
7	8AT-77266-00	.LINING, SHROUD 6	1	1	1	
8	8AT-77267-00	.LINING, SHROUD 7	1	1	1	
9	8AT-77125-00	STAY 1	2	2	2	
10	92902-06200	WASHER	8	8	8	
11	95702-06300	NUT, NYLON	8	8	8	
12	8AT-77153-00	PLATE, BACK UP 1	1	1	1	
13	8AT-77154-00	PLATE, BACK UP 2	1	1	1	
14	92502-06020	SCREW, PAN HEAD	4	4	4	
15	92902-06600	WASHER, PLATE	4	4	4	
16	8AT-77121-00	HOOD 3 (L.H)	1	1	1	
17	8AT-77122-00	HOOD 4 (R.H)	1	1	1	
18	90267-48018	RIVET, BLIND (4.8X18.6 BLACK)	4	4	4	
19	97702-50016	SCREW, TAPPING	2	2	2	
20	83R-77140-01	HINGE ASSY	1	1	1	
21	83R-7714A-01	HINGE ASSY 2	1	1	1	
22	98907-06014	SCREW, BIND	4	4	4	
23	95702-06300	NUT, NYLON	4	4	4	
24	83R-77185-00	PLATE 1	1	1	1	
25	83R-77125-00	STAY 1	2	2	2	
26	90122-05022	BOLT, WING	2	2	2	



8JD2100-N290

FIG. 29 SHROUD

REF. NO.	PART NO.	DESCRIPTION	EUR	RUS	JPN	REMARKS
27	90468-10003	CLIP	2	2	2	
28	92907-05100	WASHER, SPRING	2	2	2	
29	90202-05088	WASHER, PLATE	2	2	2	
30	90267-48079	RIVET, BLIND (4.8X16.1)	4	4	4	
31	90201-043H7	WASHER, PLATE	4	4	4	
32	83R-77194-00	DUCT	1	1	1	
33	8JD-7717E-00	TAPE 1	1	1	1	
34	8JD-7717F-00	TAPE 2	1	1	1	
35	83R-77515-00	BUSH, RUBBER 1	1	1	1	
36	90269-05039	RIVET	3	3	3	
37	98902-06014	SCREW, BIND	2	2	2	
38	83R-77186-00	PLATE 2	1	1	1	
39	90201-06078	WASHER, PLATE	1	1	1	
40	92902-06100	WASHER, SPRING	1	1	1	
41	95302-06600	NUT	1	1	1	
42	83R-77144-00	NUT	2	2	2	
43	83R-77241-00	SRAY,FAIRING	1	1	1	
44	90201-06078	WASHER, PLATE	3	3	3	
45	95702-06300	NUT, NYLON	4	4	4	
46	8AC-77231-40	FAIRING	1	1	1	UR FOR SMX
	8AC-77231-80	FAIRING	1	1	1	UR FOR S3
47	83R-77212-00	BOLT, WIND SHIELD	4	4	4	
48	90201-06078	WASHER, PLATE	2	2	2	
49	95702-06300	NUT, NYLON	4	4	4	
50	86V-77251-01	COVER, HEADLIGHT	1	1		
	87R-77251-01	COVER, HEADLIGHT			1	
51	98907-05012	SCREW, BIND	2	2	2	



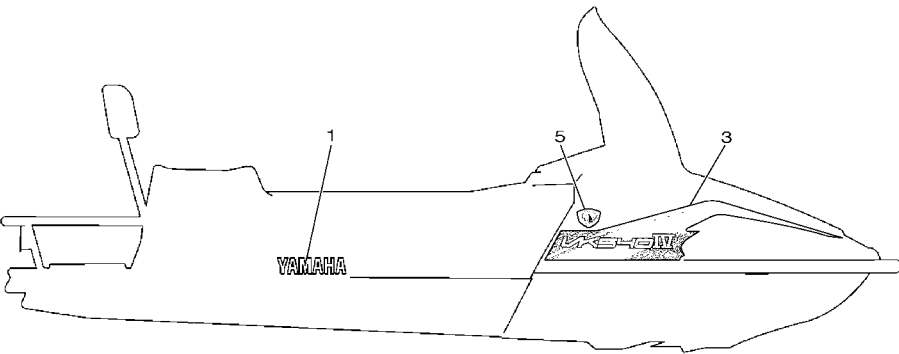
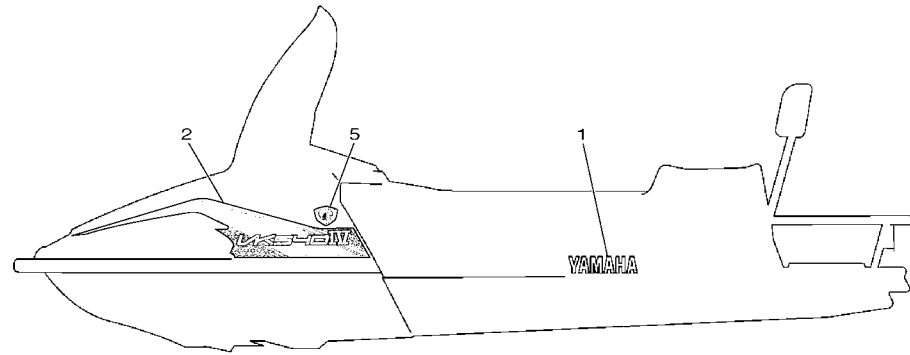
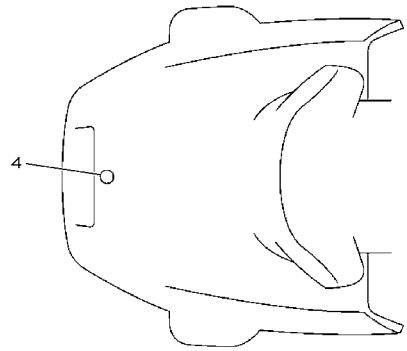
8JD2100-N290

FIG. 29 SHROUD

REF. NO.	PART NO.	DESCRIPTION	EUR	RUS	JPN	REMARKS
52	90201-06042	WASHER, PLATE	2	2	2	
53	98707-05016	SCREW, FLAT HEAD	4	4	4	
54	90201-05029	WASHER, PLATE	4	4	4	
55	95702-05300	NUT, NYLON	4	4	4	
56	8JN-77171-00	BODY, LATCH 1	2	2	2	
57	98907-06025	SCREW, BIND	2	2	2	
58	90201-06557	WASHER, PLATE	4	4	4	
59	90387-06241	COLLAR	2	2	2	
60	95702-06500	NUT, FLANGE	2	2	2	
61	83R-77118-01	STOPPER, SHROUD	1	1	1	
62	838-77159-00	CLAMP, ROD	1	1	1	
63	8AC-2815P-S0	LABEL, NOTICE 1	1	1		
	8AC-2815P-J0	LABEL, NOTICE 1			1	
64	90461-08113	CLAMP	3	3	3	
65	97702-50016	SCREW, TAPPING	2	2	2	
66	90201-043H7	WASHER, PLATE	4	4	4	
67	8AT-2199H-00	SHIELD, HEAT	1	1	1	
68	8AT-77196-00	DAMPER, SHROUD	1	1	1	
69	8JN-77196-00	DAMPER, SHROUD	2	2	2	
70	8JN-77588-00	DAMPER	1	1	1	
71	8JN-77764-R0	LABEL, WARNING 4		1		

FIG. 30 EMBLEM

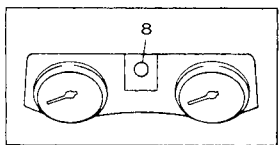
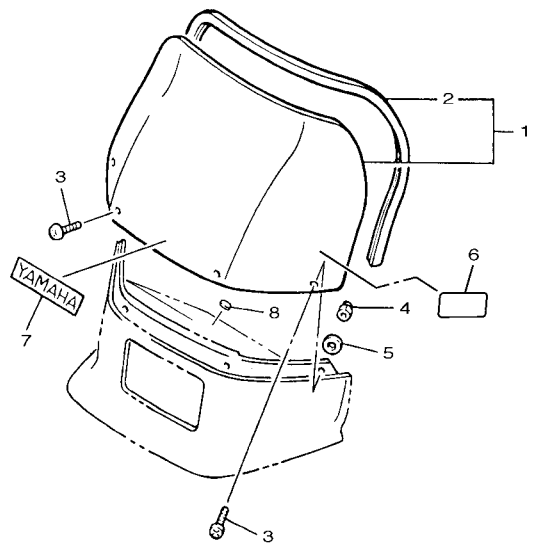
REF. NO.	PART NO.	DESCRIPTION	EUR	RUS	JPN	REMARKS
1	99246-00280	EMBLEM, YAMAHA	2	2	2	
2	8AC-7711A-50	GRAPHIC 1	1	1	1	UR FOR SMX
	8AC-7711A-70	GRAPHIC 1	1	1	1	UR FOR S3
3	8AC-7711B-50	GRAPHIC 2	1	1	1	UR FOR SMX
	8AC-7711B-70	GRAPHIC 2	1	1	1	UR FOR S3
4	8AC-2414B-01	EMBLEM	1	1	1	
5	8JE-7715A-00	EMBLEM 3D	2	2	2	



8JD1100-M300

FIG. 31 WINDSHIELD

REF. NO.	PART NO.	DESCRIPTION	EUR	RUS	JPN	REMARKS
1	86V-77210-10	WINDSHIELD COMP.	1	1	1	
2	87S-77213-10	.TRIM, UPPER	1	1	1	
3	90154-05047	SCREW, BINDING	4	4	4	
4	90176-05059	NUT, CROWN	2	2	2	
5	90201-05033	WASHER, PLATE	2	2	2	
6	4B5-2815K-20	LABEL, NOTICE WINDSHIELD 1			1	
7	99246-00120	EMBLEM, YAMAHA	1	1	1	
8	4XV-2341B-00	EMBLEM	1	1	1	



8JD1100-M310

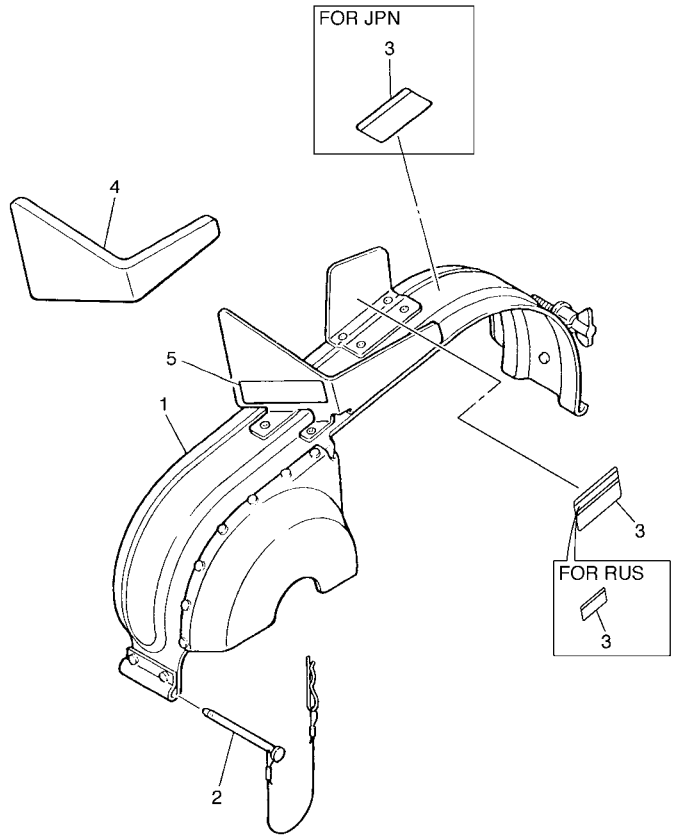


FIG. 32 GUARD & LUGGAGE BOX

REF. NO.	PART NO.	DESCRIPTION	EUR	RUS	JPN	REMARKS
1	8AT-77311-00	GUARD, DRIVE	1	1	1	
2	83R-77327-00	SHAFT	1	1	1	
3	86D-77762-00	LABEL, WARNING 2	1			
	8AC-77762-R1	LABEL, WARNING 2		1		
	8BD-77762-21	LABEL, WARNING 2			1	
4	8AT-77319-00	DAMPER 1	1	1	1	
5	8JD-1417E-00	LABEL, CAUTION	1	1		


8ACK100-F320

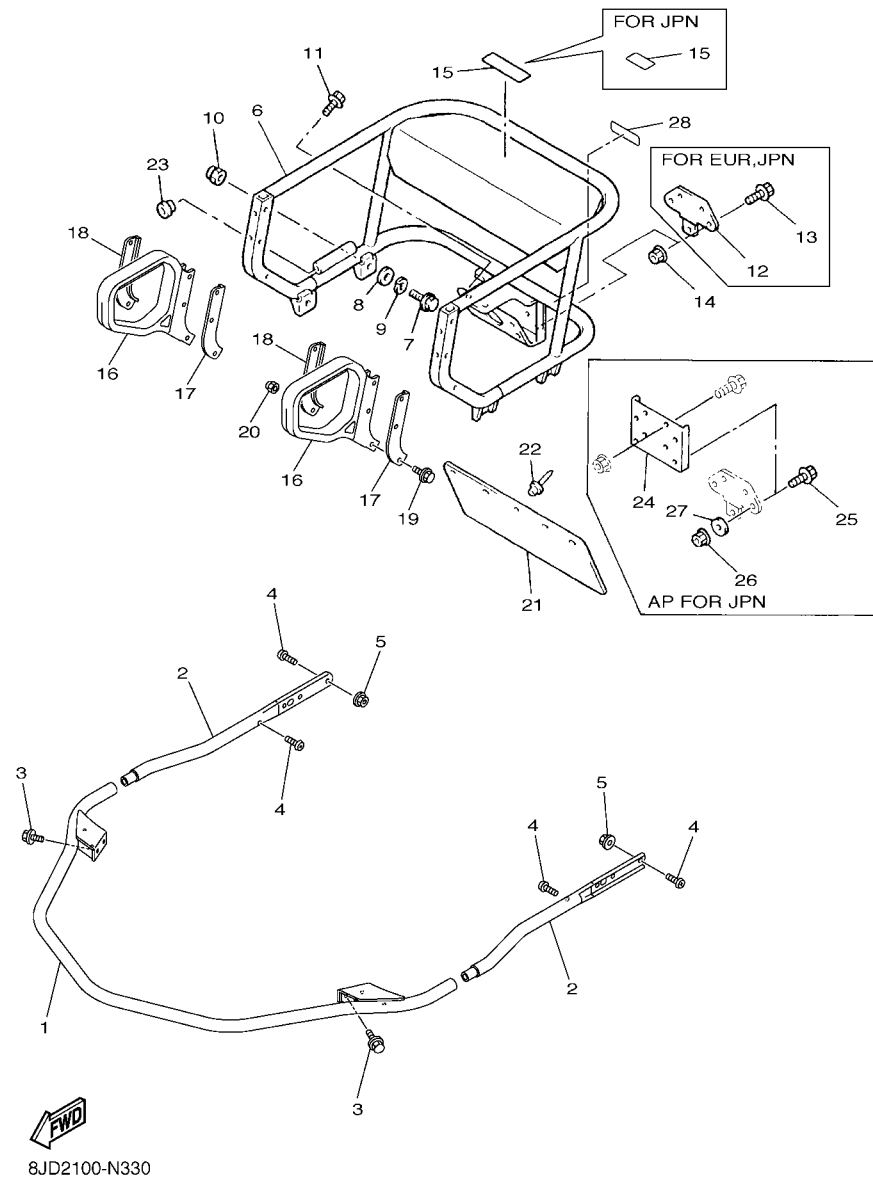


FIG. 33 BUMPER

REF. NO.	PART NO.	DESCRIPTION	EUR	RUS	JPN	REMARKS
1	8JN-77511-00	BUMPER, FRONT 1	1	1	1	
2	8JN-77513-00	BUMPER, FRONT 3	2	2	2	
3	90105-08408	BOLT, FLANGE	4	4	4	
4	90149-08230	SCREW	7	7	7	
5	95702-08500	NUT, FLANGE	1	1	1	
6	8AC-77540-00	REAR BUMPER COMP.	1	1	1	
7	95822-08014	BOLT, FLANGE	4	4	4	
8	92907-08200	WASHER	4	4	4	
9	92907-08100	WASHER, SPRING	4	4	4	
10	95307-08800	NUT	4	4	4	
11	95827-08020	BOLT, FLANGE	6	6	6	
12	84R-77592-00	BRACKET, HITCH 2	1		1	
13	95827-08020	BOLT, FLANGE	4		4	
14	95602-08200	NUT, SELF-LOCKING	4	4	4	
15	8FM-24897-11	EMBLEM	1	1		
	4KN-24877-C0	LABEL, CAUTION			1	
16	8JD-77571-00	GRIP, ASSIST 1	2	2	2	
17	8JD-77531-00	BRACKET, FRONT	2	2	2	
18	8JD-77532-00	BRACKET, FRONT (R.H)	2	2	2	
19	95807-08045	BOLT, FLANGE	6	6	6	
20	90176-08063	NUT, CROWN	6	6	6	
21	83R-77595-00	FLAP	1	1	1	
22	90267-48086	RIVET, BLIND (4.8X19 BLACK)	5	5	5	
23	90480-15268	GROMMET	2	2	2	
24	80M-77591-00	BRACKET, HITCH 1			1	AP
25	95827-08025	BOLT, FLANGE			4	AP
26	95717-08300	NUT, FLANGE			4	AP

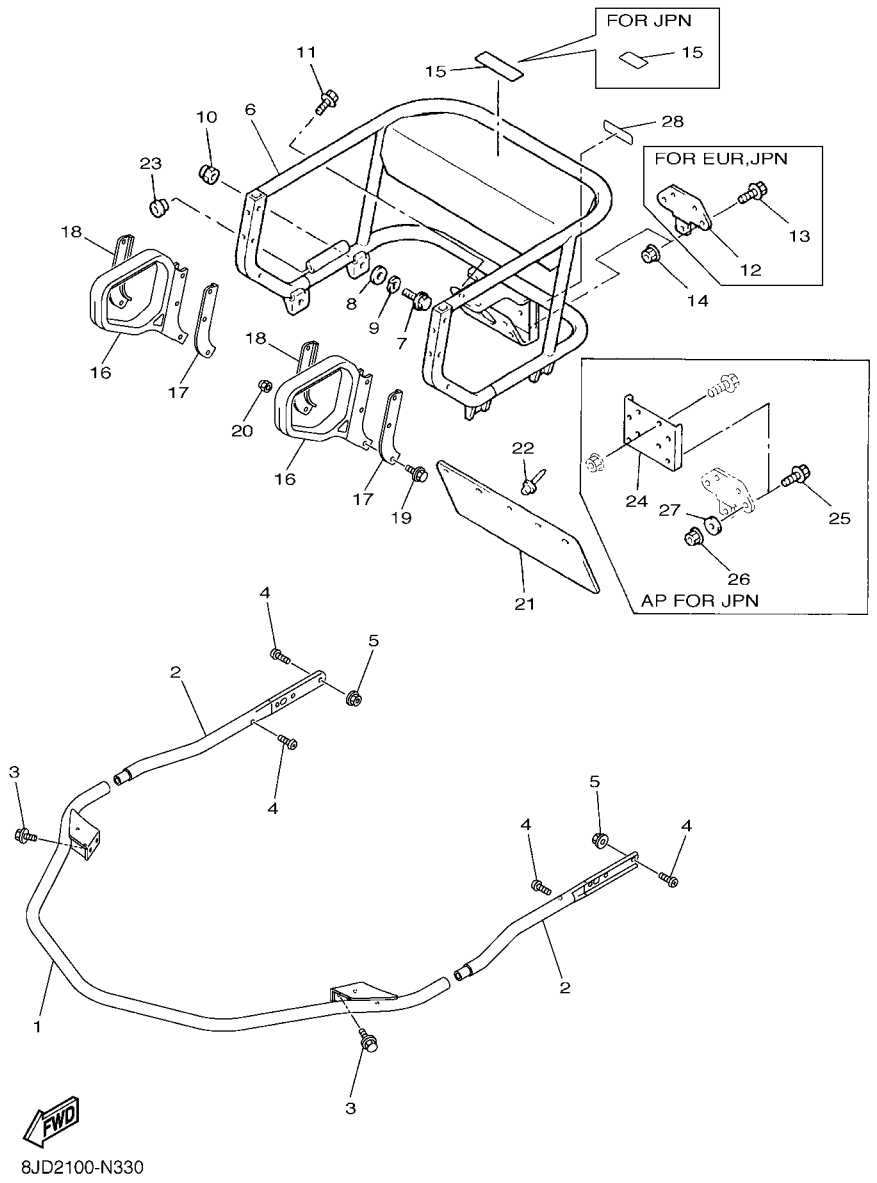
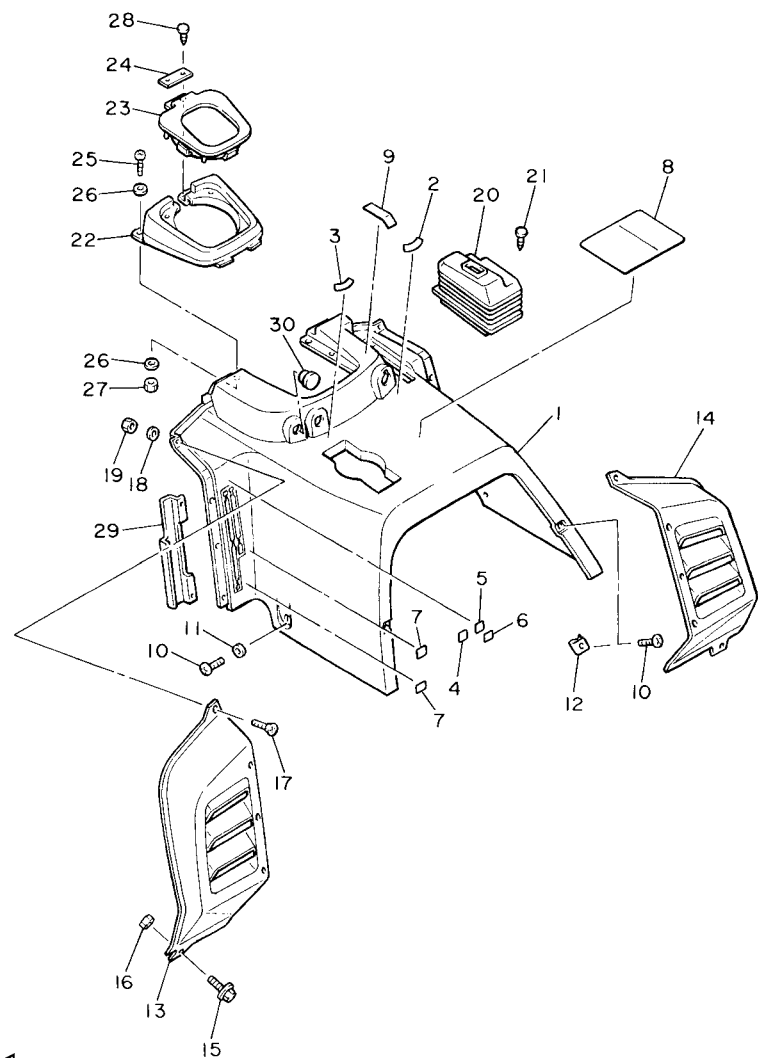


FIG. 33 BUMPER

REF. NO.	PART NO.	DESCRIPTION	EUR	RUS	JPN	REMARKS
27	92907-08600	WASHER, PLATE			4	AP
28	8HF-2817S-00	LABEL, PULLING LOAD LIMIT	1	1		
	8GS-2817S-J0	LABEL, PULLING LOAD LIMIT			1	

FIG. 34 INSTRUMENT PANEL

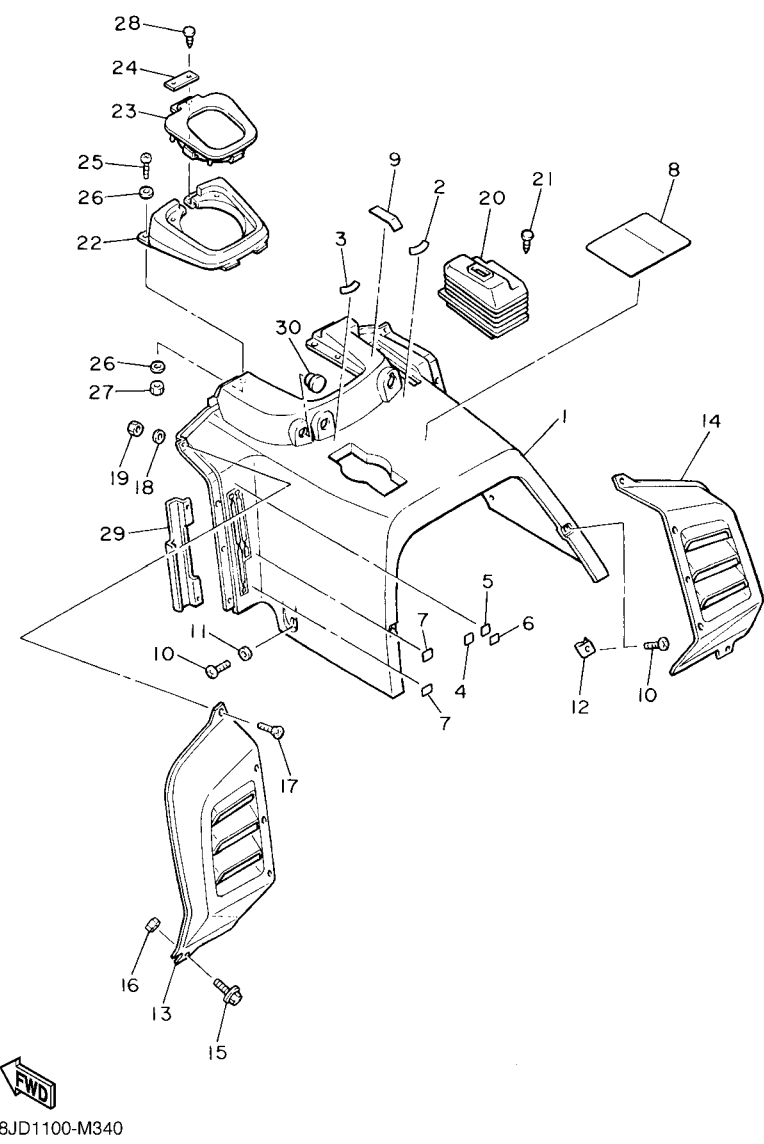


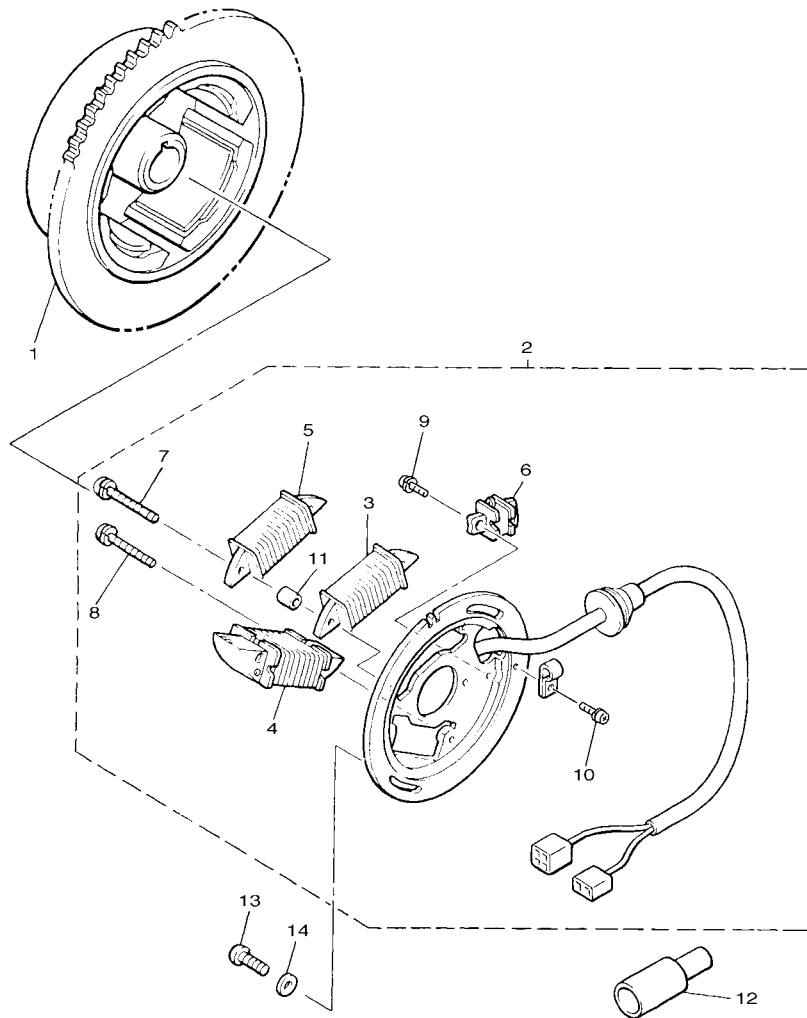
8JD1100-M340

REF. NO.	PART NO.	DESCRIPTION	EUR	RUS	JPN	REMARKS
1	86V-77711-00	PANEL, INSTRUMENT	1	1	1	
2	8V0-77741-20	INDICATOR 1	1	1	1	
3	8U9-77742-00	INDICATOR 2	1	1	1	
4	87A-77743-00	INDICATOR 3	1	1	1	
5	87A-77742-00	INDICATOR 2	1	1	1	
6	87A-77741-00	INDICATOR 1	1	1	1	
7	87A-77745-00	INDICATOR 5	2	2	2	
8	8AC-77761-10	LABEL, WARNING 1	1			
	8AC-77761-R1	LABEL, WARNING 1		1		
	8AC-77761-00	LABEL, WARNING 1			1	
9	83R-77741-00	INDICATOR 1	1	1	1	
10	98907-06016	SCREW, BIND	4	4	4	
11	90387-060U0	COLLAR	2	2	2	
12	83R-77144-00	NUT	2	2	2	
13	83R-77131-01	LOUVER 1	1	1	1	
14	83R-77132-01	LOUVER 2	1	1	1	
15	95802-06016	BOLT, FLANGE	2	2	2	
16	95702-06300	NUT, NYLON	2	2	2	
17	98707-04016	SCREW, FLAT HEAD	7	7	7	
18	90201-047A2	WASHER, PLATE	5	5	5	
19	95702-04300	NUT, FLANGE	5	5	5	
20	83R-77731-00	SHIELD 1	1	1	1	
21	90269-05055	RIVET	4	4	4	
22	83R-77712-00	PANEL, INSTRUMENT	1	1	1	
23	83R-77740-00	GROMMET, INSTRUMENT PANEL	1	1	1	
24	83R-77728-00	WASHER	1	1	1	
25	98907-05016	SCREW, BIND	2	2	2	

FIG. 34 INSTRUMENT PANEL

REF. NO.	PART NO.	DESCRIPTION	EUR	RUS	JPN	REMARKS
26	90201-054K4	WASHER, PLATE	4	4	4	
27	95707-05300	NUT, FLANGE	2	2	2	
28	90269-05055	RIVET	2	2	2	
29	83R-2419A-00	HOLDER	1	1	1	
30	90480-12012	GROMMET	1	1	1	





8JD1100-M350

FIG. 35 GENERATOR

REF. NO.	PART NO.	DESCRIPTION	EUR	RUS	JPN	REMARKS
1	8AT-85550-01	ROTOR ASSY	1	1	1	
2	8AT-85560-10	BASE ASSY	1	1	1	
3	81L-85520-M0	.COIL, CHARGE	1	1	1	
4	81L-81313-M0	.COIL, LIGHTING 1	1	1	1	
5	81L-81314-M0	.COIL, LIGHTING 2	1	1	1	
6	8R4-85580-M0	.COIL, PULSER	1	1	1	
7	90159-05130	.SCREW, WITH WASHER	2	2	2	
8	90159-05129	.SCREW, WITH WASHER	2	2	2	
9	97607-04112	.SCREW, WITH WASHER	2	2	2	
10	97607-04108	.SCREW, WITH WASHER	1	1	1	
11	90387-06299	.COLLAR	2	2	2	
12	8Y0-82599-00	COVER, CONNECTER	1	1	1	
13	98907-06016	SCREW, BIND	2	2	2	
14	90201-06043	WASHER, PLATE	2	2	2	



8AC6100-9360

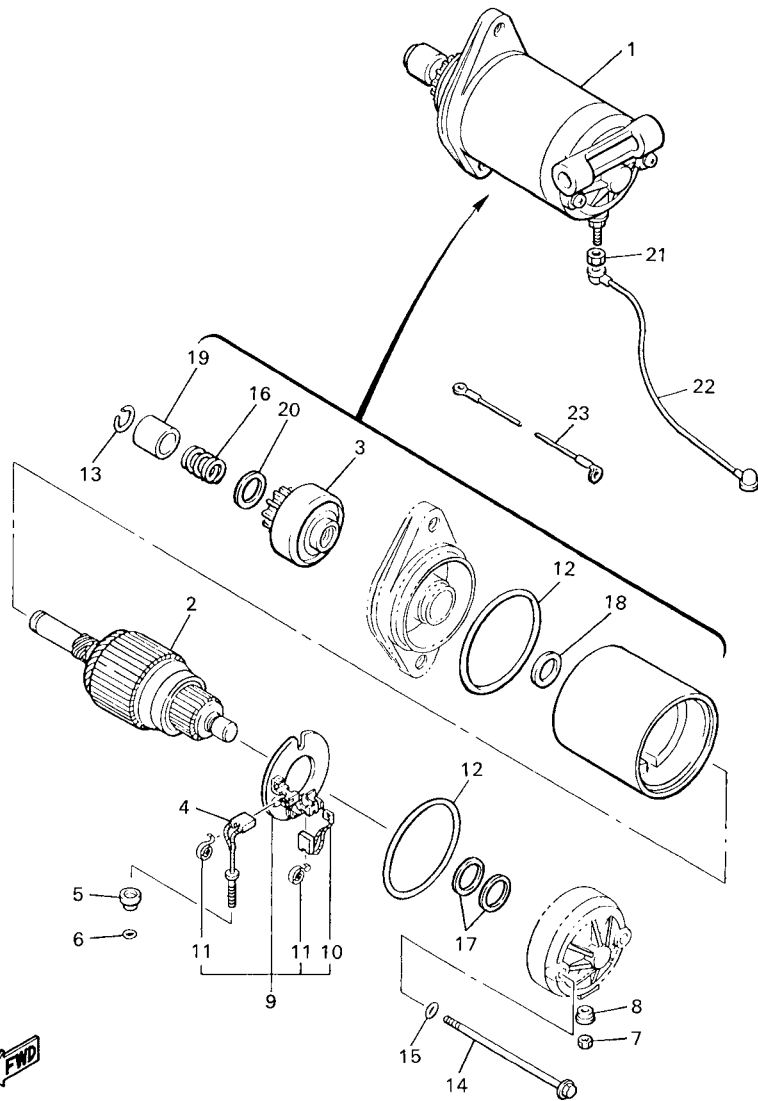
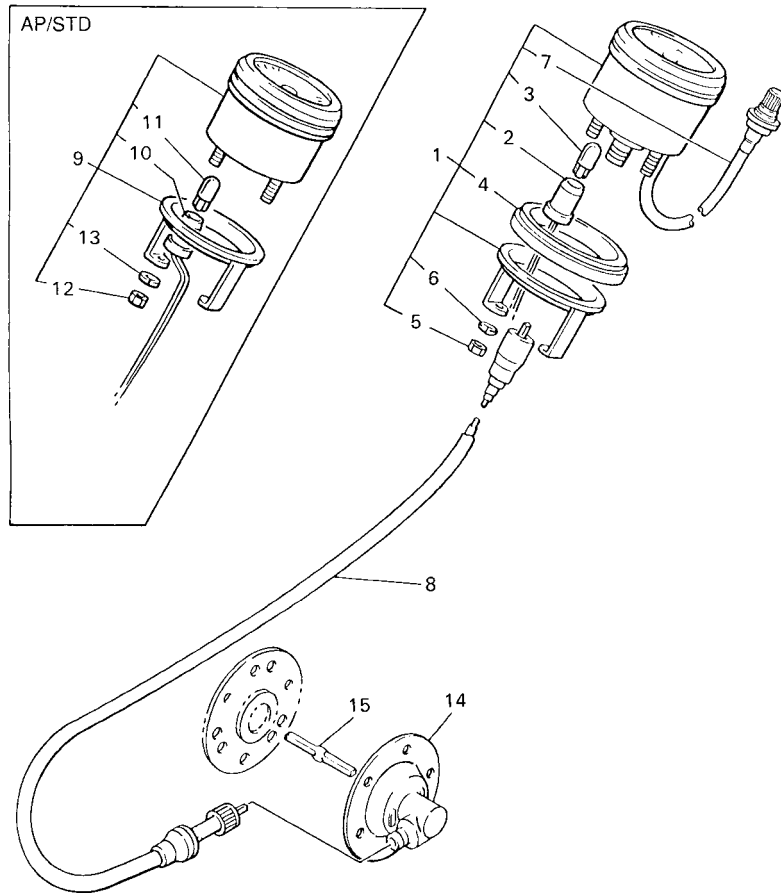


FIG. 36 STARTING MOTOR

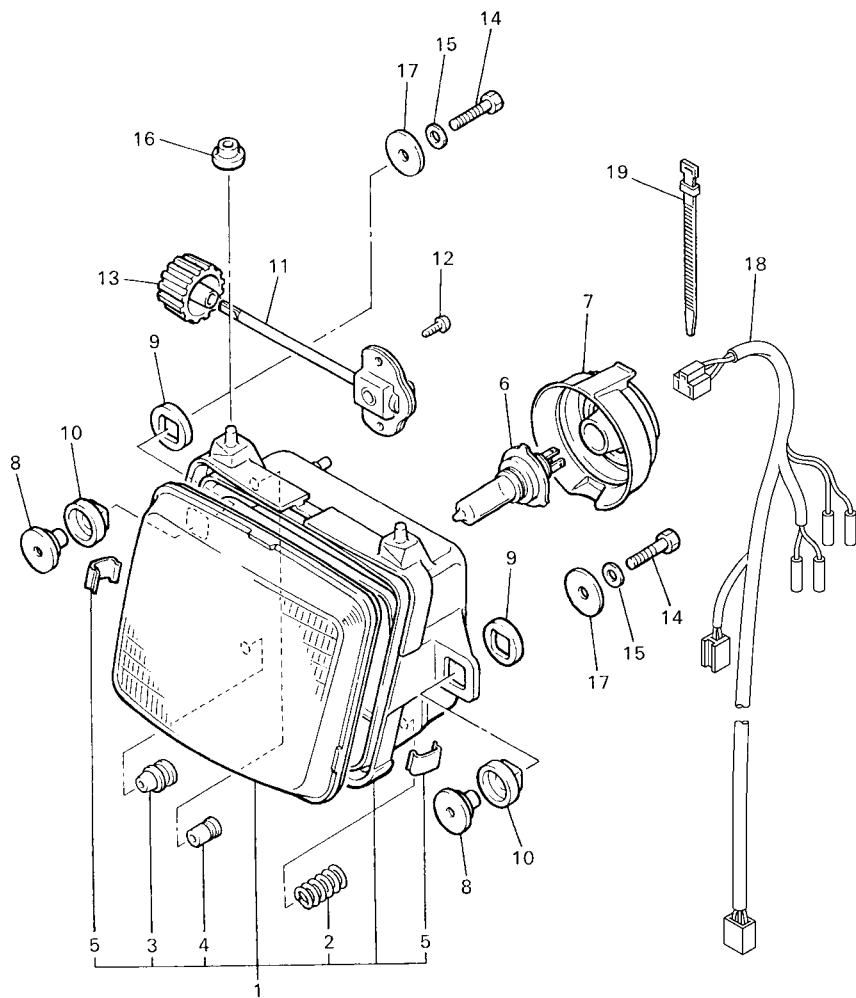
REF. NO.	PART NO.	DESCRIPTION	EUR	RUS	JPN	REMARKS
1	8BB-81800-01	STARTING MOTOR ASSY	1	1	1	
2	8Y3-81850-50	.ARMATURE ASSY	1	1	1	
3	84N-81832-51	.CLUTCH, OVER RUN	1	1	1	
4	73A-81811-00	.BRUSH 1	1	1	1	
5	73A-81829-50	.GROMMET	1	1	1	
6	73A-81847-00	.O-RING	1	1	1	
7	4H7-81872-00	.NUT, SPECIAL	1	1	1	
8	73A-81829-00	.GROMMET	1	1	1	
9	8L6-81840-50	.BRUSH HOLDER ASSY	1	1	1	
10	84N-81812-00	..BRUSH 2	1	1	1	
11	8L6-81813-50	..SPRING, BRUSH	2	2	2	
12	4H7-81844-50	.O-RING	2	2	2	
13	8L6-81834-50	.RING	1	1	1	
14	84N-81826-00	.BOLT	2	2	2	
15	8L6-81847-50	.O-RING	2	2	2	
16	8BB-81836-00	.SPRING, LEVER	1	1	1	
17	4H7-81843-50	.WASHER 1	2	2	2	
18	8L6-81835-50	.WASHER 2	1	1	1	
19	8L6-81833-50	.RING, STOP	1	1	1	
20	8BB-8185A-00	.WASHER, PLATE	1	1	1	
21	95307-06600	NUT	1	1	1	
22	83R-82117-01	WIRE, LEAD	1	1	1	
23	88N-82116-00	WIRE, MINUS LEAD	1	1	1	



8AC7100-0370

FIG. 37 METER

REF. NO.	PART NO.	DESCRIPTION	EUR	RUS	JPN	REMARKS
1	86V-83510-20	SPEEDOMETER ASSY (KM/H)	1	1	1	
2	8V7-83536-40	.SOCKET, METER	1	1	1	
3	4R0-83517-00	.BULB (12V-3.4W T10)	1	1	1	
4	8G6-83523-00	.DAMPER	1	1	1	
5	95302-05600	.NUT	2	2	2	
6	92902-05100	.WASHER, SPRING	2	2	2	
7	8K1-83603-00	.TRIP METER CABLE ASSY	1	1	1	
8	8H4-83560-00	METER CABLE ASSY	1	1	1	
9	85L-83540-00	TACHOMETER ASSY	1	1		AP
	85L-83540-00	TACHOMETER ASSY			1	STD
10	85L-83509-00	.SOCKET CORD ASSY	1	1		AP
	85L-83509-00	.SOCKET CORD ASSY			1	STD
11	4R0-83517-00	.BULB (12V-3.4W T10)	1	1		AP
	4R0-83517-00	.BULB (12V-3.4W T10)			1	STD
12	95380-05600	.NUT	4	4		AP
	95380-05600	.NUT			4	STD
13	92990-05100	.WASHER, SPRING	4	4		AP
	92990-05100	.WASHER, SPRING			4	STD
14	8JD-47700-00	METER GEAR HOUSING COMP.	1	1	1	
15	8K4-47715-00	JOINT	1	1	1	



8JD1100-M380

FIG. 38 HEADLIGHT

REF. NO.	PART NO.	DESCRIPTION	EUR	RUS	JPN	REMARKS
1	83R-8430A-G0	HEAD LIGHT UNIT ASSY	1	1		
	84R-8430A-A0	HEAD LIGHT UNIT ASSY			1	
2	51L-84332-00	.SPRING, SCREW	1	1	1	
3	51L-8431U-00	.HOLDER	1	1	1	
4	51L-84334-00	.NUT, ADJUSTING	2	2	2	
5	36Y-84324-00	.SPRING, REFLECTOR	3	3	3	
6	2F9-84314-00	BULB (12V-60/55W)	1	1	1	(H4)HALOGEN
7	36Y-84397-00	COVER, SOCKET	1	1	1	
8	498-84145-60	COLLAR, BODY FITTING	2	2	2	
9	498-84164-60	DAMPER	2	2	2	
10	498-84163-60	DAMPER	2	2	2	
11	83R-8430M-00	GEAR UNIT ASSY	1	1	1	
12	97707-40616	SCREW, TAPPING	2	2	2	
13	26H-8432M-00	KNOB ASSY	1	1	1	
14	97007-08040	BOLT	2	2	2	
15	92907-08600	WASHER, PLATE	2	2	2	
16	36Y-84354-00	GROMMET	2	2	2	
17	90201-08766	WASHER, PLATE	2	2	2	
18	8JD-84359-00	CORD, HEADLIGHT	1	1	1	
19	437-83936-01	BAND, SWITCH CORD	1	1	1	

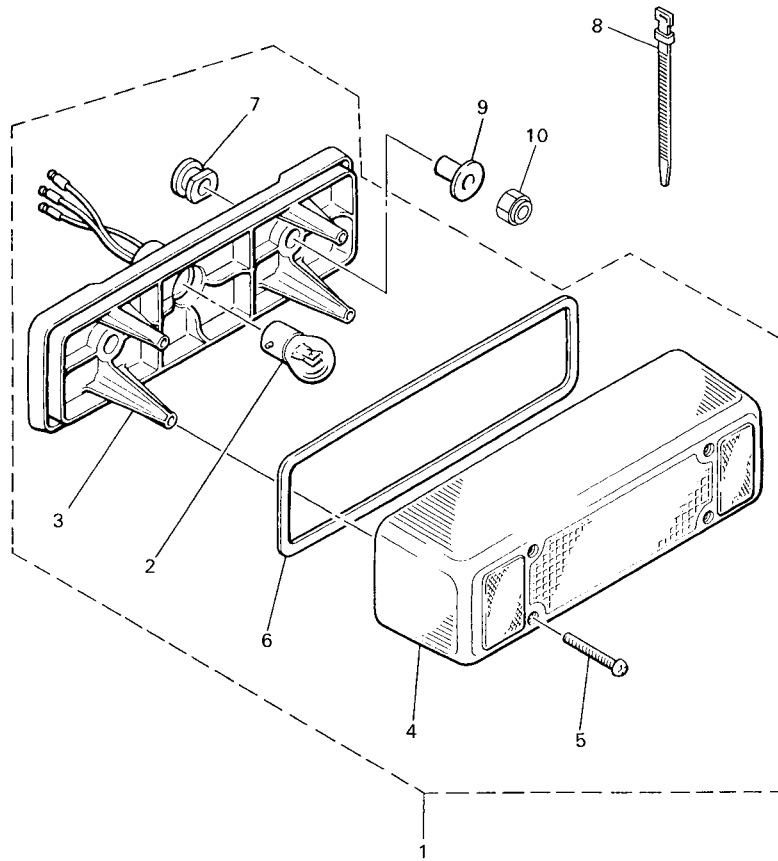


FIG. 39 TAILLIGHT

REF. NO.	PART NO.	DESCRIPTION	EUR	RUS	JPN	REMARKS
1	8JN-84710-00	TAILLIGHT UNIT ASSY	1	1	1	
2	1A2-84714-41	.BULB (12V-21/5W)	1	1	1	
3	8K4-84711-01	.BASE, TAILLIGHT	1	1	1	
4	8K4-84733-01	.LENS, 1	1	1	1	
5	97701-40130	.SCREW, PANHEAD TAPPING	4	4	4	
6	87M-84723-00	.GASKET, TAIL LENS	1	1	1	
7	8K4-84718-00	.GROMMET	2	2	2	
8	90465-10098	CLAMP	1	1	1	
9	90387-066N1	COLLAR	2	2	2	
10	95602-06100	NUT, U	2	2	2	



8JD1100-M390

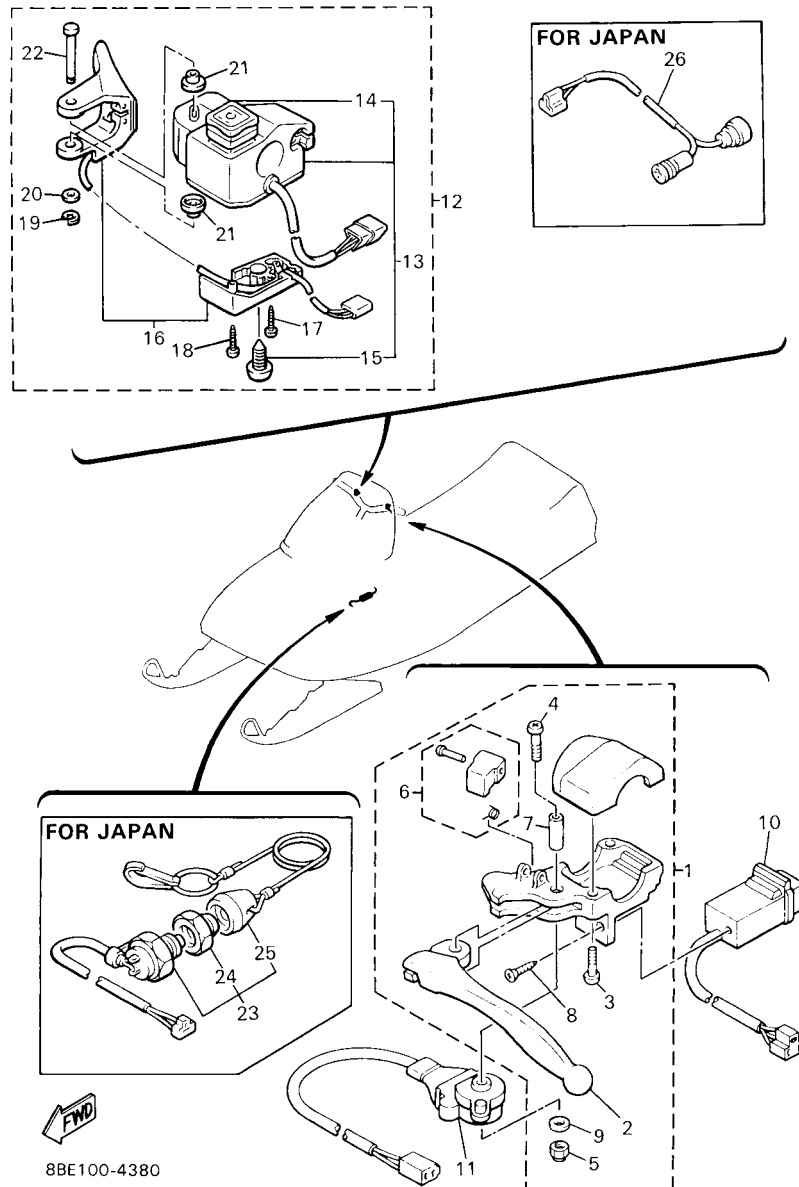
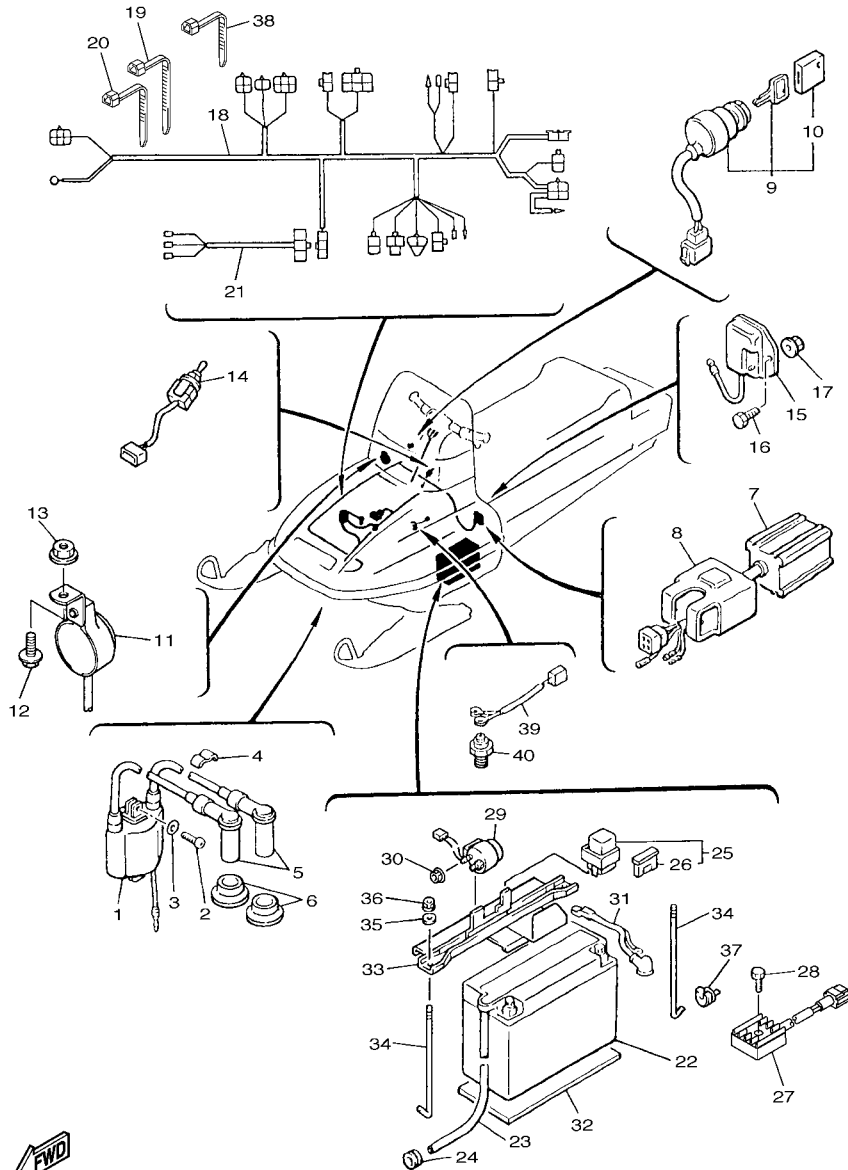


FIG. 40 HANDLE SWITCH & LEVER

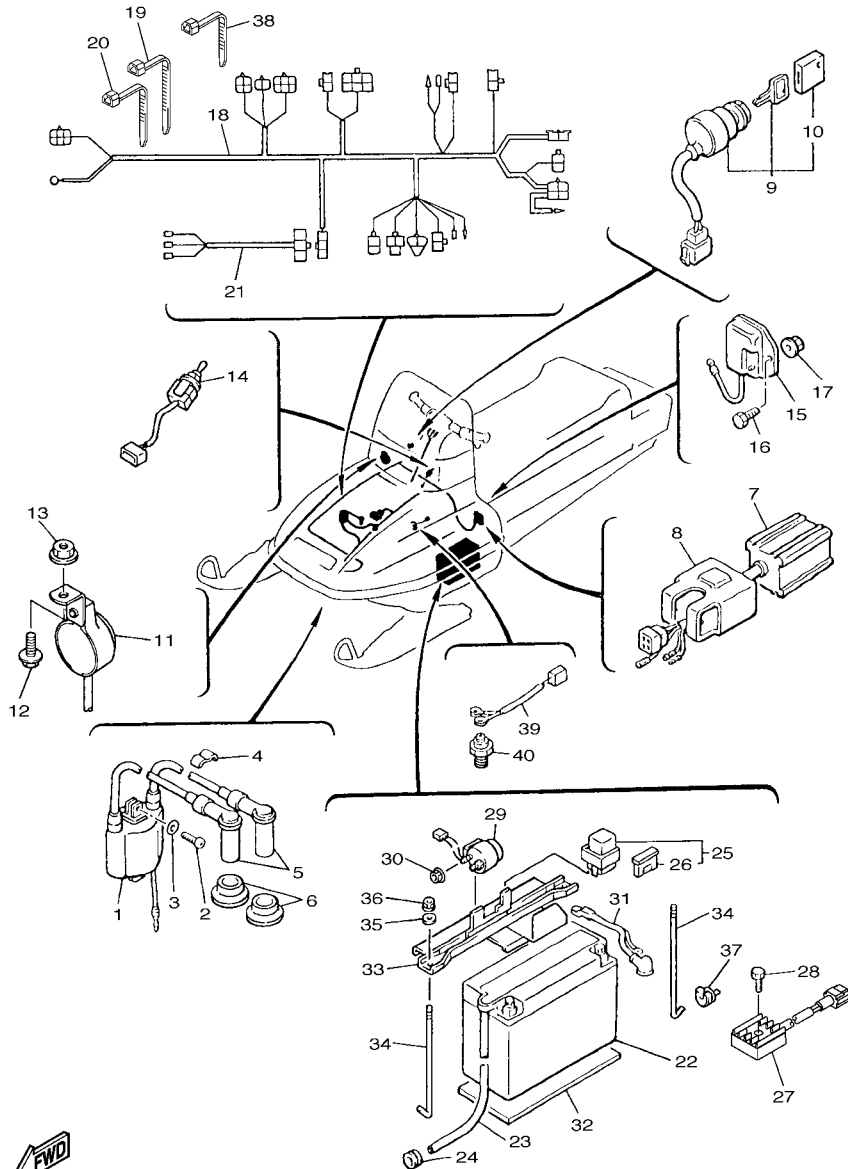
REF. NO.	PART NO.	DESCRIPTION	EUR	RUS	JPN	REMARKS
1	88R-W8291-00	LEVER HOLDER ASSY (LEFT)	1	1	1	
2	8H8-83912-00	.LEVER 1	1	1	1	
3	90157-05027	.SCREW, PAN HEAD	2	2	2	
4	8R4-82113-00	.SCREW	1	1	1	
5	95702-05300	.NUT, NYLON	1	1	1	
6	8K4-W8393-00	.LEVER LOCK ASSY	1	1	1	
7	802-83913-00	.COLLAR, LEVER 1	1	1	1	
8	8R4-8252V-00	.SCREW, SPECIAL	1	1	1	
9	92902-05200	.WASHER	1	1	1	
10	8K4-83950-01	BEAM SWITCH ASSY	1	1	1	
11	88R-82530-00	STOP SWITCH ASSY	1	1	1	
12	8AU-82720-02	LEVER HOLDER ASSY (RIGHT)	1	1	1	
13	8AU-83963-00	.SWITCH, HANDLE 3	1	1	1	
14	8AU-82575-09	..ENGINE STOP SWITCH ASSY	1	1	1	WIRE/L=240MM
15	8R6-83928-00	..SCREW	1	1	1	
16	8AU-82970-02	.THUMB WARMER ASSY	1	1	1	
17	97706-30620	.SCREW, TAPPING	1	1	1	
18	97706-30630	.SCREW, TAPPING	1	1	1	
19	99001-04600	.CIRCLIP	1	1	1	
20	85G-83663-00	.WASHER, SPECIAL	1	1	1	
21	85G-83956-00	.CAP 1	2	2	2	
22	88T-8399F-00	.SHAFT	1	1	1	
23	8H8-82550-01	ENGINE STOP SWITCH ASSY			1	AP
24	8H8-82557-00	.NUT			1	AP
25	8H7-82552-01	.CAP, SWITCH			1	AP
26	89L-82318-00	WIRE, SUB-LEAD			1	AP



8JD2100-N410

FIG. 41 ELECTRICAL 1

REF. NO.	PART NO.	DESCRIPTION	EUR	RUS	JPN	REMARKS
1	88T-82310-01	IGNITION COIL ASSY	1	1	1	
2	97880-06020	SCREW, PAN HEAD	2	2	2	
3	92990-06600	WASHER, PLATE	2	2	2	
4	861-82361-00	CLAMP, CORD	1	1	1	
5	8K1-82370-20	PLUG CAP ASSY (WITH RESISTOR)	2	2	2	
6	8G5-82372-00	SEAL, PLUG CAP	2	2	2	
7	8AU-85540-00	C.D.I. UNIT ASSY	1	1	1	
8	2A7-85546-00	BAND	1	1	1	
9	8K1-82510-20	MAIN SWITCH ASSY	1	1	1	
10	526-82579-00	.CAP, KEY	2	2	2	
11	87L-83383-01	BUZZER	1	1	1	
12	95822-06016	BOLT, FLANGE	1	1	1	
13	95602-06200	NUT, SELF-LOCKING	1	1	1	
14	8JD-82917-00	SWITCH	1	1	1	
15	82M-81910-A0	VOLTAGE REGULATOR ASSY	1	1	1	
16	97002-06014	BOLT	1	1	1	
17	95702-06300	NUT, NYLON	1	1	1	
18	8JD-82590-01	WIRE HARNESS ASSY	1	1	1	
19	90464-15195	CLAMP	1	1	1	
20	90464-13073	CLAMP	1	1	1	
21	8AC-84717-01	CORD, TAILLIGHT	1	1	1	
22	5E3-82110-81	BATTERY ASSY (YUASA YB16AL-A2)	1	1		
	90793-26072	BATTERY ASSY (YUASA YB16AL-A2)			1	
23	8AC-8235W-00	PIPE	1	1	1	
24	90480-12314	GROMMET	1	1	1	
25	8BE-82150-00	FUSE HOLDER ASSY	1	1	1	
26	42X-82151-00	.FUSE (10A-BL)	2	2	2	



8JD2100-N410

FIG. 41 ELECTRICAL 1

REF. NO.	PART NO.	DESCRIPTION	EUR	RUS	JPN	REMARKS
27	8AC-81970-00	RECTIFIER ASSY	1	1	1	
28	95802-06020	BOLT, FLANGE	1	1	1	
29	50W-81940-10	STARTER RELAY ASSY (MS5D-231)	1	1	1	
30	95702-06500	NUT, FLANGE	2	2	2	
31	88N-82115-00	WIRE, PLUS LEAD	1	1	1	
32	84N-82122-00	SEAT, BATTERY	1	1	1	
33	8AC-82136-10	PLATE, BATTERY FITTING	1	1	1	
34	8Y7-82133-00	SCREW, FITTING	2	2	2	
35	92902-06600	WASHER, PLATE	2	2	2	
36	95702-06300	NUT, NYLON	2	2	2	
37	8AC-82355-00	GROMMET	1	1	1	
38	90464-13077	CLAMP	2	2	2	
39	87L-82318-00	WIRE, SUB-LEAD	1	1	1	
40	4KD-82540-00	NEUTRAL SWITCH ASSY	1	1	1	



8JD2100-N420

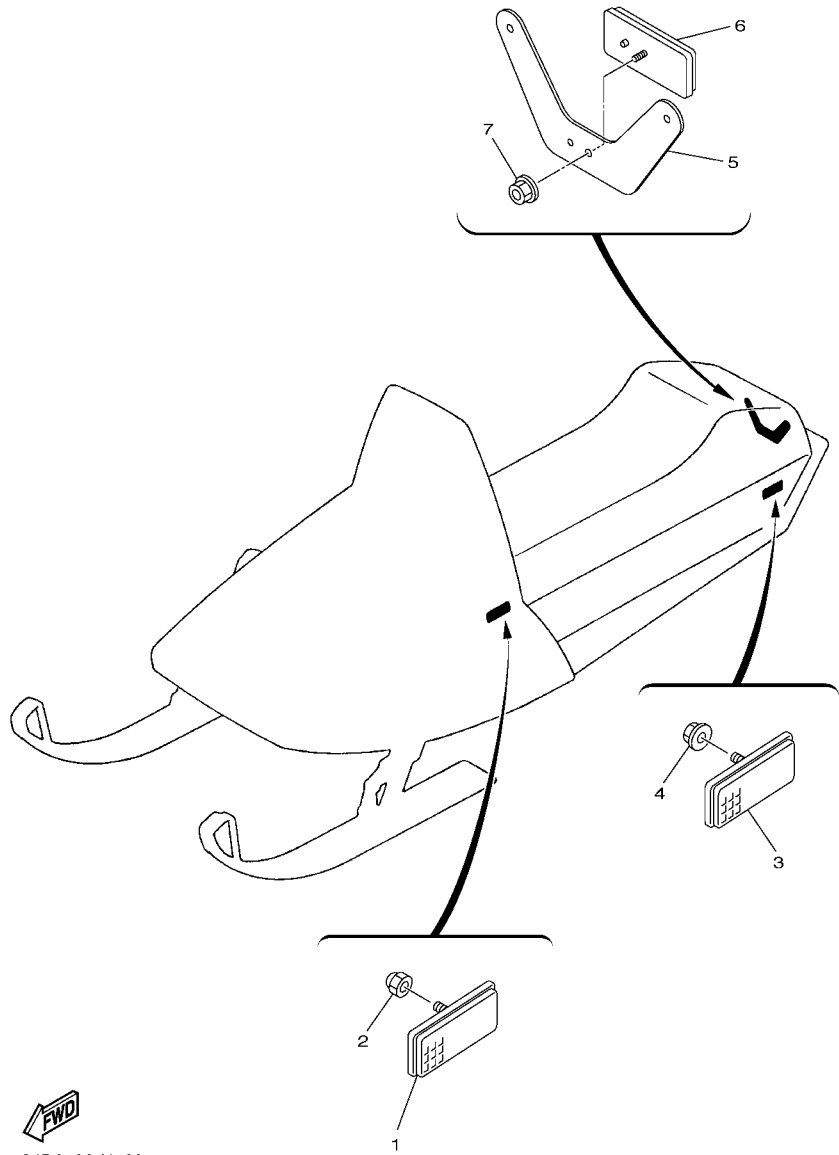
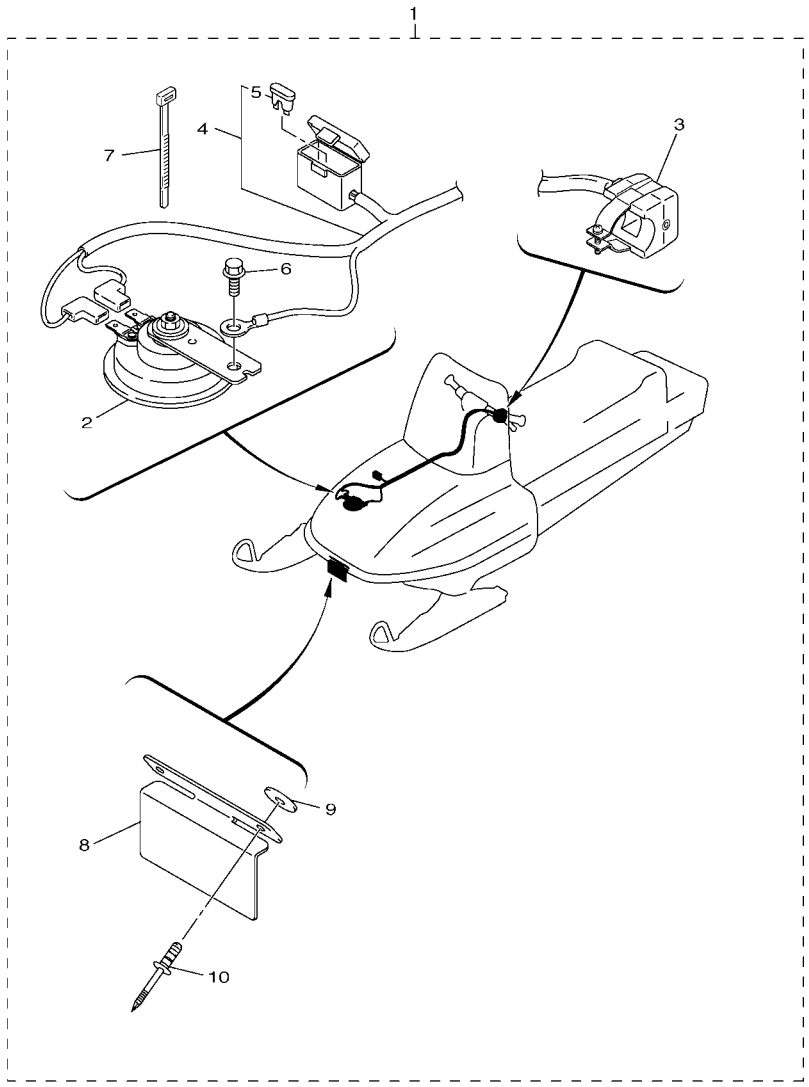


FIG. 42 ELECTRICAL 2

REF. NO.	PART NO.	DESCRIPTION	EUR	RUS	JPN	REMARKS
1	8GM-85110-00	REFLECTOR ASSY	2	2	2	
2	95602-05200	NUT, SELF-LOCKING	2	2	2	
3	8GM-85110-00	REFLECTOR ASSY	2	2	2	
4	95702-05500	NUT, FLANGE	2	2	2	
5	8JN-83955-00	BRACKET 1	1	1	1	
6	3Y6-85130-02	REAR REFLECTOR ASSY	1	1	1	
7	95702-05500	NUT, FLANGE	1	1	1	



8JD2100-N430

FIG. 43 ELECTRICAL 3

REF. NO.	PART NO.	DESCRIPTION	EUR	RUS	JPN	REMARKS
1	8JD-833A0-00	HORN KIT	1			FOR FINLAND
2	3MX-83371-11	.HORN	1			FOR FINLAND
3	8FR-83976-02	.SWITCH, HANDLE 1	1			FOR FINLAND
4	8AC-82509-10	.WIRE, SUB LEAD	1			FOR FINLAND
5	5JJ-82151-50	..FUSE (3A-BL)	1			FOR FINLAND
6	95822-06016	.BOLT, FLANGE	1			FOR FINLAND
7	437-83936-01	.BAND, SWITCH CORD	1			FOR FINLAND
8	8GU-21641-00	.BRACKET, REFLECTOR	1			FOR FINLAND
9	90201-05036	.WASHER, PLATE	2			FOR FINLAND
10	90267-47186	.RIVET, BLIND (4.7X16.4 BLACK)	2			FOR FINLAND

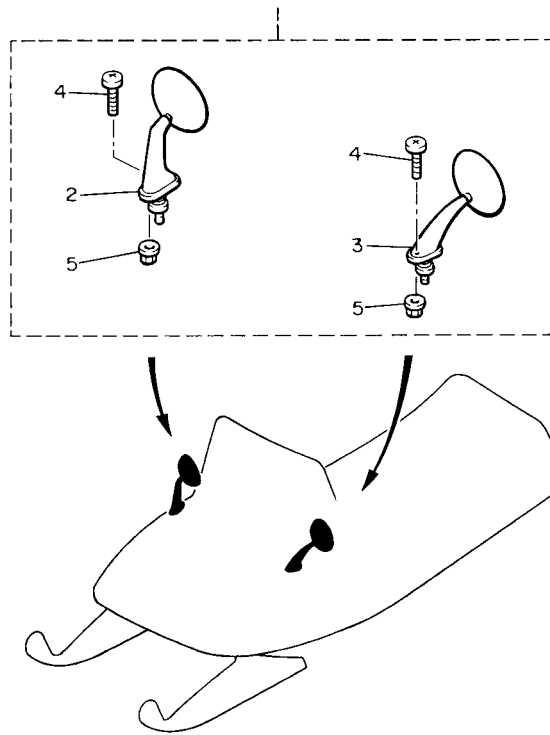
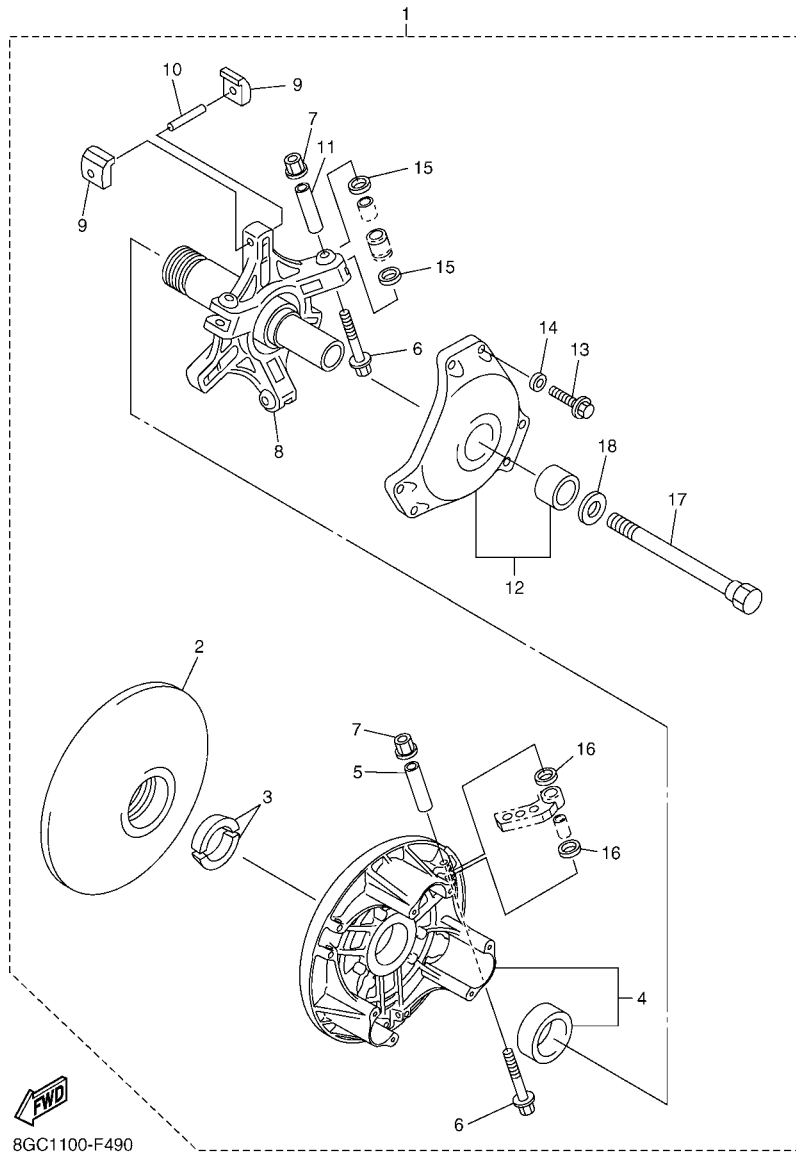


FIG. 44 ALTERNATE REAR VIEW MIRROR

REF. NO.	PART NO.	DESCRIPTION	EUR	RUS	JPN	REMARKS
1	8E1-W2628-00	REAR VIEW MIRROR SET	1	1	1	AP
2	8E1-26280-00	.REAR VIEW MIRROR ASSY (RIGHT)	1	1	1	
3	8E1-26290-00	.REAR VIEW MIRROR ASSY (LEFT)	1	1	1	
4	98507-04016	.SCREW, PAN HEAD	4	4	4	
5	95707-04500	.NUT, FLANGE	4	4	4	

88U100-1401

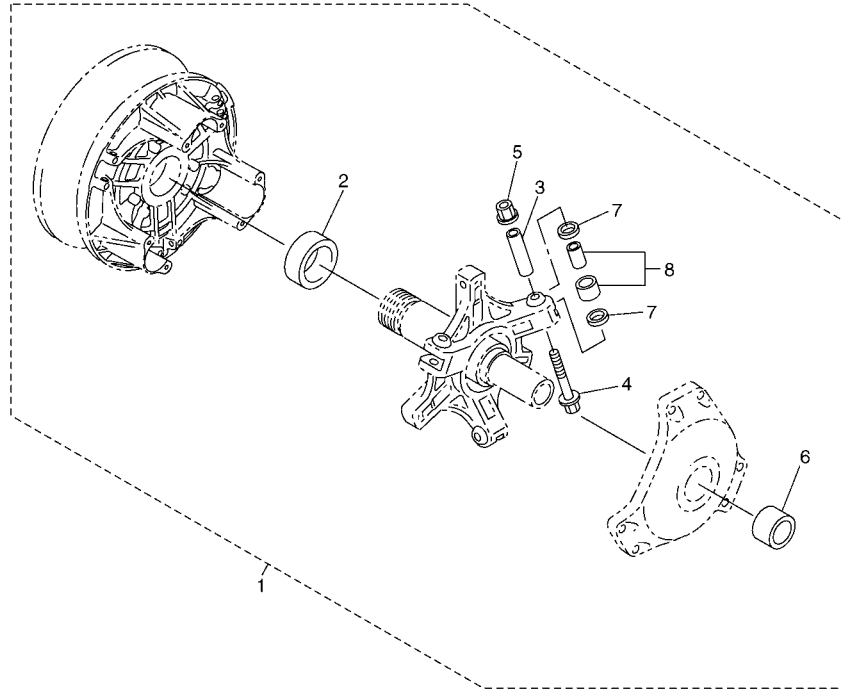


8GC1100-F490

FIG. 45 ALTERNATE REBUILD KIT

REF. NO.	PART NO.	DESCRIPTION	EUR	RUS	JPN	REMARKS
1	8GJ-W176G-02	CLUTCH REPAIR KIT	1	1	1	AP
2	8FA-17611-01	.SHEAVE, PRIMARY FIXED	1	1	1	
3	8V0-17639-00	.STOPPER	2	2	2	
4	8BV-17620-03	.PRIMARY SLIDING SHEAVE COMP.	1	1	1	
5	90387-0514T	.COLLAR	3	3	3	
6	90105-05644	.BOLT, FLANGE	6	6	6	
7	95607-05200	.NUT, U FLANGE	6	6	6	
8	8ES-17640-02	.SPIDER COMPLETE	1	1	1	
9	8BW-17653-00	.SLIDER	6	6	6	
10	91609-50032	.PIN, SPRING	3	3	3	
11	90387-0514U	.COLLAR	3	3	3	
12	8BV-17630-11	.PRIMARY SHEAVE CAP COMP.	1	1	1	
13	97017-06030	.BOLT	6	6	6	
14	92907-06600	.WASHER, PLATE	6	6	6	
15	90202-09227	.WASHER, PLATE	6	6	6	
16	90202-08204	.WASHER, PLATE	6	6	6	
17	8V0-17647-00	.BOLT (L=156.5MM)	1	1	1	
18	92907-16100	.WASHER	1	1	1	

FIG. 46 ALTERNATE CLUTCH TUNE UP KIT



REF. NO.	PART NO.	DESCRIPTION	EUR	RUS	JPN	REMARKS
1	8ET-W176H-00	CLUTCH TUNE-UP KIT	1	1	1	AP
2	90384-41242	.BUSH, BIMETAL FORMED	1	1	1	
3	90387-0514U	.COLLAR	3	3	3	
4	90105-05644	.BOLT, FLANGE	3	3	3	
5	95607-05200	.NUT, U FLANGE	3	3	3	
6	90380-28237	.BUSH, SOLID	1	1	1	
7	90202-09227	.WASHER, PLATE	6	6	6	
8	8FG-17624-00	.ROLLER, COMP	3	3	3	



8FA1100-B550

NUMERICAL INDEX

PART NO.	REF. NO.	PART NO.	REF. NO.	PART NO.	REF. NO.	PART NO.	REF. NO.	PART NO.	REF. NO.	PART NO.	REF. NO.
8R6-11111-00	1 - 1	866-13175-00	5 - 4	3G2-14231-78	7 - 12	83R-17492-10	27 - 10	8N7-21486-00	13 - 4	8W9-23815-00	17 - 12
J38-11116-00	9 - 7	821-13176-00	5 - 3	3G2-14231-79	7 - 12		27 - 25	8V9-21486-00	13 - 6	8W9-23817-00	17 - 13
83R-11161-00	1 - 3	8K2-13178-00	2 - 22	8M6-14261-00	7 - 5	8AT-17605-10	11 - 22	8GU-21641-00	43 - 8	8AT-23818-00	15 - 21
83R-11162-00	1 - 10	8H8-13179-00	5 - 14	89A-14265-00	7 - 20	8FA-17611-01	11 - 1	8AT-21747-00	14 - 22	8AT-23821-00	17 - 19
83R-11181-00	1 - 4	821-13188-00	5 - 5	8X0-14358-00	7 - 23		45 - 2	83R-21751-00	14 - 1	8L0-2382E-01	16 - 34
83R-11311-00	1 - 9	8G8-13342-00	5 - 16	83R-14425-00	6 - 29	8BV-17620-03	11 - 3	863-21771-00	14 - 4	8L0-2382F-00	16 - 35
89N-11351-00	1 - 12	8G8-13410-00	14 - 7	8H8-14431-00	6 - 19		45 - 4	8JD-21912-01	15 - 6	8AT-23831-00	17 - 24
8AT-11400-01	2 - 6	353-13552-01	4 - 6	8H8-14441-00	6 - 20	8FG-17624-00	11 - 19	89X-21917-00	15 - 30	86X-23841-00	17 - 20
83R-11412-01	2 - 7	8G8-13555-01	6 - 12	83R-14453-00	6 - 16		46 - 8	8JD-21926-00	15 - 70	87S-23845-01	17 - 25
8H8-11422-01	2 - 8	8Y7-13556-01	6 - 6	83R-14465-00	6 - 21	8BV-17630-11	11 - 14	8AC-21933-00	15 - 68	87S-23847-01	17 - 21
8H8-11432-01	2 - 9	83R-13565-00	6 - 7	8H8-14466-00	6 - 22		45 - 12	81E-21945-00	15 - 2		17 - 26
8AT-11442-00	2 - 10	8AT-13610-00	6 - 1	8H8-14477-00	6 - 23	8V0-17639-00	11 - 2	8AT-2194Y-00	15 - 27	82M-23851-00	16 - 26
8H8-11515-00	2 - 14	8AT-13613-00	6 - 2	8X0-14500-00	7 - 19		45 - 3	83R-21955-00	15 - 4	8AT-23852-00	16 - 27
8R6-11601-00	2 - 2	8H8-13616-00	6 - 3	8K4-14610-00	8 - 1	8ES-17640-02	11 - 8	8AT-2195Y-00	15 - 28	8JN-23857-00	17 - 5
8R6-11601-10	2 - 2	84R-14101-03	7 - 1	82M-14613-01	8 - 2		45 - 8	8AC-21965-00	15 - 10	8V0-23858-00	19 - 30
8R6-11601-20	2 - 2	86R-14101-03	7 - 1	83R-14710-04	8 - 5	8DN-17641-01	11 - 26	8AT-2196T-00	15 - 64	84M-23868-00	17 - 7
8R6-11631-00-95	2 - 1	22F-14117-00	7 - 21	83R-14728-01	8 - 6	8V0-17647-00	11 - 27	8JD-2196T-00	15 - 65	83R-23870-00	18 - 1
8H8-11633-00	2 - 3	8V0-14118-00	7 - 17	83R-14941-4E	7 - 11		45 - 17	83R-21986-00	15 - 7	8AT-23883-01	15 - 36
8R6-11635-00	2 - 1	80L-14122-00	7 - 18	1UF-14952-00	7 - 22	8BW-17653-00	11 - 9	83R-21987-00	15 - 8	8AT-23884-01	15 - 37
8R6-11636-00	2 - 1	127-14124-20	7 - 26	256-14956-01	7 - 30		45 - 9	83R-2198F-00	15 - 5	8AC-23894-01	17 - 9
8R6-11651-00	2 - 12	89A-14125-00	7 - 18	8H8-15100-02	9 - 1	88R-17660-03	12 - 1	8M6-2198F-00	15 - 24	83R-24111-00	19 - 1
8A7-11685-00	2 - 23	8M6-14126-00	7 - 4	3Y1-15363-10	28 - 20	8AT-17670-01	12 - 2	8CR-2198J-00	15 - 43	8AC-2414B-01	30 - 4
8H8-12611-01	3 - 14	2J2-14133-00	7 - 19	8AT-15416-00	5 - 1	88N-17680-02	12 - 11	8M6-21998-00	15 - 25	83R-2419A-00	34 - 29
8H8-12612-00	3 - 21	8X0-14133-00	7 - 28	8K4-15426-00	5 - 10	8JD-17682-00	27 - 12	8AT-2199G-01	15 - 56	84M-24327-00	14 - 14
8L0-12616-00	3 - 34	82A-14134-00	7 - 2	8H8-15710-00	10 - 1	8AT-17684-01	12 - 9	8AT-2199H-00	29 - 67		19 - 32
8H8-12618-01	3 - 22	127-14135-00	7 - 14	8H8-15711-00	10 - 2	8X6-17688-00	12 - 3	8AT-22401-00	16 - 13	81E-24328-00	19 - 29
8H8-12619-01	3 - 16	193-14142-90	7 - 16	8F3-15713-01	10 - 5	52G-18113-00	28 - 25	89L-22493-00	16 - 16	83R-24335-00	19 - 13
88F-12621-02	3 - 1	3G2-1414E-56	7 - 12	8F3-15714-01	10 - 3	83R-18116-00	28 - 44	4XV-2341B-00	31 - 8	813-24336-00	19 - 17
8AC-1262A-E0	3 - 40	193-1414F-00	7 - 16	8F3-15715-00	10 - 6	89N-18130-01	28 - 10	8JD-23711-00	16 - 1	801-24376-00	14 - 6
8AC-1262A-R1	3 - 40	802-14161-00	7 - 27	8G5-15716-00	10 - 15	83R-18150-00	28 - 24	8JD-23731-00	16 - 3	82M-24376-00	19 - 19
8Y0-12637-02	3 - 35	8A7-14169-00	7 - 24	8F3-15716-03	10 - 9	83R-18153-00	28 - 30	8HR-23738-00	16 - 4	878-24379-00	19 - 33
8H8-12651-02	3 - 23	8G8-14171-00	7 - 15	8H8-15723-01	10 - 18	3X3-18156-10	28 - 45	88T-23743-00	16 - 7	8AT-24410-00	6 - 30
8H8-12652-00	3 - 33	8G8-14174-00	7 - 13	8F3-15734-00	10 - 8	3X3-18157-10	28 - 40	8JD-23754-00	16 - 2	89A-24529-00	7 - 28
8H8-12658-00	3 - 25	8U9-14174-00	7 - 13	8G5-15739-00	10 - 12	83R-1815A-00	28 - 26	8AC-23765-00	16 - 6	8H5-24560-00	19 - 15
8Y0-12658-00	3 - 3	8JD-1417E-00	32 - 5	8F3-15739-01	10 - 7	59V-18174-00	28 - 27	83R-23768-00	25 - 2	8W6-24611-00	19 - 2
8H8-12659-00	3 - 26	8X0-14184-00	7 - 20	8F3-15741-01	10 - 4	83R-18341-00	28 - 31	84M-2376E-00	16 - 45	813-24613-01	19 - 3
8H8-12669-00	3 - 27	8M6-14185-00	7 - 10	8F3-15751-00	10 - 13	59V-18433-00	28 - 37	8AT-2376J-00	16 - 23	83M-24628-00	19 - 8
8V8-12678-00	3 - 28	88V-14186-00	7 - 9	8F3-15755-00	10 - 14	83R-18511-00	27 - 37	8L0-2376R-00	16 - 24	8F7-24641-00	19 - 4
8AT-12679-00	3 - 30	8M6-14186-00	7 - 9	83R-17121-00	27 - 6	83R-18531-00	27 - 38	82M-23777-00	16 - 14	8AC-2470F-00	20 - 2
8Y0-12679-00	3 - 2	83R-14190-15	7 - 8	8AT-17131-00	27 - 11	89N-18540-00	28 - 2	8HR-23778-00	16 - 5	85R-2471A-00	15 - 62
8Y0-12687-02	3 - 36	214-14195-00	7 - 7	8AT-17141-00	27 - 19	59V-18561-00	28 - 29	82M-23779-00	16 - 19	83R-24729-00	20 - 3
8AT-13101-00	4 - 1	86-13198-00	7 - 6	83R-17143-00	27 - 26	8H8-21411-01	13 - 1	84M-2377E-00	16 - 46	8AC-24730-01	20 - 1
8Y0-13116-01	4 - 17	620-14211-00	7 - 3	83R-17151-00	27 - 20	8AT-21417-00	13 - 15	8L0-23788-00	16 - 17	8AT-24778-00	20 - 5
8K4-13119-00	5 - 18	3DM-14216-00	7 - 31	83R-17153-00	27 - 36	8H8-21418-01	13 - 16	8AU-23811-10	17 - 1	8AC-24790-10	20 - 7
137-13137-00	4 - 11	80L-14227-00	7 - 25	83R-17243-00	27 - 35	83R-21419-01	13 - 2	8F3-23812-00	17 - 8	4KN-24877-C0	33 - 15
137-13138-01	4 - 10	3G2-14231-27	7 - 12	85R-17421-00	27 - 2	8H8-21427-00	13 - 17	8AT-23813-01	17 - 2	8FM-24897-11	33 - 15
8A5-13146-01	4 - 19	3G2-14231-28	7 - 12	83R-17431-00	27 - 17	8H8-21429-01	13 - 3	8G5-23814-00	17 - 3	87R-25721-00	21 - 10
137-13148-00	5 - 7	3G2-14231-77	7 - 12	83R-17432-01	27 - 31	8V9-21485-00	13 - 5	8K1-23814-00	17 - 4	87R-25722-00	21 - 13

NUMERICAL INDEX

PART NO.	REF. NO.	PART NO.	REF. NO.	PART NO.	REF. NO.	PART NO.	REF. NO.	PART NO.	REF. NO.	PART NO.	REF. NO.	PART NO.	REF. NO.
87R-25726-01	21 - 4	8HF-47341-00	24 - 5	8JD-47532-00	26 - 4	83R-77186-00	29 - 38	8V0-77741-20	34 - 2	5JJ-82151-50	43 - 5		
87R-25730-01	21 - 2	8JD-47349-00	24 - 26	87R-47541-00	28 - 1	83R-77194-00	29 - 32	87A-77742-00	34 - 5	88T-82310-01	41 - 1		
86M-25733-00	21 - 14	8JD-47349-10	24 - 47	83R-47543-00	27 - 1	8AT-77196-00	29 - 68	8U9-77742-00	34 - 3	87L-82318-00	41 - 39		
86M-25738-00	21 - 3	8JD-47365-00	23 - 21	85R-47544-01	28 - 17	8JN-77196-00	29 - 69	87A-77743-00	34 - 4	89L-82318-00	40 - 26		
87R-25743-00	21 - 12	8AC-47366-00	24 - 43	86V-77210-10	27 - 49	86V-77210-10	31 - 1	87A-77745-00	34 - 7	8AC-82355-00	41 - 37		
86M-25744-00	21 - 16	8HP-47384-00	23 - 42	8AC-47550-00	23 - 20	83R-77212-00	29 - 47	8AC-77761-00	34 - 8	8AC-8235W-00	41 - 23		
86M-25771-00	21 - 7	8FK-47416-01	24 - 30	8CR-47550-10	23 - 54	87S-77213-10	31 - 2	8AC-77761-10	34 - 8	861-82361-00	41 - 4		
86M-25772-00	21 - 8	8JD-47417-00	24 - 67	8JD-47550-10	23 - 55	8AC-77231-40	29 - 46	8AC-77761-R1	34 - 8	8K1-82370-20	41 - 5		
86M-25773-00	21 - 6	8ES-47419-00	23 - 30	83R-47551-00	26 - 5	8AC-77231-80	29 - 46	86D-77762-00	32 - 3	8G5-82372-00	41 - 6		
89J-25811-00	21 - 18	8ES-47419-10	23 - 36	83R-47571-00	28 - 13	83R-77241-00	29 - 43	8BD-77762-21	32 - 3	8AC-82509-10	43 - 4		
86M-25818-00	21 - 9	8JE-4741A-00	23 - 1	8K4-47577-00	26 - 2	86V-77251-01	29 - 50	8AC-77762-R1	32 - 3	8K1-82510-20	41 - 9		
86M-25826-00	21 - 11	8DM-4741B-00	25 - 26	8JD-47578-00	28 - 47	87R-77251-01	29 - 50	8JN-77764-R0	29 - 71	8R4-8252V-00	40 - 8		
86M-25827-00	21 - 5	8JD-47421-01	23 - 2	88N-47591-00	28 - 18	8AT-77261-00	29 - 3	81L-81313-M0	35 - 4	88R-82530-00	40 - 11		
83R-25831-00	21 - 1	8GL-47422-00	23 - 4	85R-47592-00	28 - 22	8AT-77264-00	29 - 5	81L-81314-M0	35 - 5	4KD-82540-00	41 - 40		
86M-25833-00	21 - 15	8FM-47424-00	25 - 28	83R-47612-00	27 - 42	8AT-77265-00	29 - 6	8BB-81800-01	36 - 1	8H8-82550-01	40 - 23		
89J-25911-00	21 - 19	8GL-47445-00	24 - 60	83R-47613-00	27 - 39	8AT-77266-00	29 - 7	73A-81811-00	36 - 4	8H7-82552-01	40 - 25		
8DX-26240-01	22 - 8	8JR-47446-00	25 - 4	88N-47631-00	12 - 12	8AT-77267-00	29 - 8	8AN-81812-00	36 - 10	8H8-82557-00	40 - 24		
8E1-26280-00	44 - 2	8ET-47446-00	23 - 37	8JD-47700-00	37 - 14	8JD-77268-00	29 - 4	8L6-81813-50	36 - 11	8AU-82575-09	40 - 14		
8E1-26290-00	44 - 3	8ES-47447-00	24 - 53	8K4-47715-00	37 - 15	8AT-77271-00	15 - 46	84N-81826-00	36 - 14	526-82579-00	41 - 10		
83R-26311-10	22 - 1	8ES-47456-00	23 - 7	8AC-77111-B0-P2	29 - 1	8JD-77272-01	15 - 42	73A-81829-00	36 - 8	8JD-82590-01	41 - 18		
8L8-26320-04	4 - 21	8AC-47457-00	23 - 10	8AC-77111-B0-P5	29 - 1	8AT-77273-10	15 - 47	73A-81829-50	36 - 5	8Y0-82599-00	35 - 12		
8U9-26325-00	22 - 6	8AX-47458-00	23 - 12	83R-77118-01	29 - 61	8AT-77274-00	15 - 48	84N-81832-51	36 - 3	87S-8259A-01	7 - 29		
83R-26331-01	22 - 4	8K2-47458-01	23 - 8	8AC-7711A-50	30 - 2	8AT-77275-00	15 - 49	8L6-81833-50	36 - 19	8AU-82720-02	40 - 12		
8G8-26333-00	22 - 5	8JD-47465-00	24 - 2	8AC-7711A-70	30 - 2	8AT-77311-00	32 - 1	8L6-81834-50	36 - 13	8JD-82917-00	41 - 14		
87R-26340-01	22 - 3	8ES-47467-00	24 - 64	8AC-7711B-50	30 - 3	8AT-77319-00	32 - 4	8L6-81835-50	36 - 18	8AU-82970-02	40 - 16		
85R-2639F-00	15 - 63	8V0-47468-00	25 - 27	8AC-7711B-70	30 - 3	83R-77327-00	32 - 2	8BB-81836-00	36 - 16	3MX-83371-11	43 - 2		
85L-28100-00	15 - 72	83R-47469-10	23 - 45	8AT-77121-00	29 - 16	86V-77384-00	20 - 4	8L6-81840-50	36 - 9	87L-83383-01	41 - 11		
4B5-2815K-20	31 - 6	8FM-47473-10	24 - 61	8AT-77122-00	29 - 17	8JN-77511-00	33 - 1	4H7-81843-50	36 - 17	8JD-833A0-00	43 - 1		
8AC-2815P-J0	29 - 63	8FM-47474-10	24 - 62	83R-77125-00	29 - 25	8JN-77513-00	33 - 2	4H7-81844-50	36 - 12	85L-83509-00	37 - 10		
8AC-2815P-S0	29 - 63	8JD-47475-00	24 - 59	8AT-77125-00	29 - 9	83R-77515-00	29 - 35	73A-81847-00	36 - 6				
8HF-2817S-00	33 - 28	8AC-47478-10	25 - 8	83R-77131-01	34 - 13	8AT-77526-00	15 - 22	8L6-81847-50	36 - 15	86V-83510-20	37 - 1		
8GS-2817S-J0	33 - 28	8DM-47479-00	23 - 58	83R-77132-01	34 - 14	8AT-77527-02	15 - 19	8Y3-81850-50	36 - 2	4R0-83517-00	37 - 3		
8JD-47110-01	23 - 14	8JD-47480-00	24 - 34	83R-77140-01	29 - 20	8JD-77531-00	33 - 17	8BB-8185A-00	36 - 20				
8HR-47113-09	23 - 15	8AC-47481-00	24 - 20	83R-77144-00	29 - 42	8JD-77532-00	33 - 18	4H7-81872-00	36 - 7				
8HR-47115-09	23 - 16	8JD-47481-00	24 - 20		34 - 12	8AC-77540-00	33 - 6	4H7-81872-00	36 - 7				
8ES-47310-00	23 - 31	83R-47485-02	24 - 11	83R-7714A-01	29 - 21	8JD-77571-00	33 - 16	82M-81910-A0	41 - 15	8G6-83523-00	37 - 4		
	23 - 39		24 - 68	8AT-77153-00	29 - 12	8JD-77577-00	15 - 20	50W-81940-10	41 - 29	8V7-83536-40	37 - 2		
8AC-47310-10	24 - 45	8JD-47486-00	24 - 7	8AT-77154-00	29 - 13	8JN-77588-00	29 - 70	8AC-81970-00	41 - 27	85L-83540-00	37 - 9		
8ES-47310-10	23 - 18	8JD-47487-00	24 - 28	838-77159-00	29 - 62	80M-77591-00	33 - 24	5E3-82110-81	41 - 22				
8HP-47310-10	23 - 46	8JD-47487-10	24 - 49	8JE-7715A-00	30 - 5	84R-77592-00	33 - 12	8R4-82113-00	40 - 4	8H4-83560-00	37 - 8		
8HP-47319-00	24 - 51	8JD-47488-00	24 - 65	8CR-77165-00	15 - 50	83R-77595-00	33 - 21	88N-82115-00	41 - 31	8K1-83603-00	37 - 7		
8ES-47319-01	23 - 17	8HF-47494-00	24 - 36	8JN-77171-00	29 - 56	86V-77171-00	34 - 1	88N-82116-00	36 - 23	85G-83663-00	40 - 20		
8JD-47331-00	24 - 1	8JD-47495-00	24 - 16	8M6-77175-00	15 - 39	83R-77712-00	34 - 22	83R-82117-01	36 - 22	8H8-83912-00	40 - 2		
8JD-47332-00	24 - 52	8JD-47496-00	24 - 55	83R-7717E-00	15 - 53	83R-77728-00	34 - 24	84N-82122-00	41 - 32	802-83913-00	40 - 7		
8FM-47333-10	25 - 17	8JH-47496-00	23 - 25	8JD-7717E-00	29 - 33	83R-77731-00	34 - 20	4J2-82131-01	15 - 3	8R6-83928-00	40 - 15		
83R-47335-00	25 - 3	8JN-47520-00	23 - 44	83R-7717F-00	15 - 54	83R-77740-00	34 - 23	8Y7-82133-00	41 - 34	437-83936-01	22 - 9		
83R-47337-10	25 - 1		23 - 50	8JD-7717F-00	29 - 34	83R-77741-00	34 - 9	8AC-82136-10	41 - 33				
8AC-47341-00	23 - 11	8JD-47531-00	26 - 3	83R-77185-00	29 - 24	87A-77741-00	34 - 6	8BE-82150-00	41 - 25				
								42X-82151-00	41 - 26	8K4-83950-01	40 - 10		

NUMERICAL INDEX

PART NO.	REF. NO.	PART NO.	REF. NO.	PART NO.	REF. NO.	PART NO.	REF. NO.	PART NO.	REF. NO.	PART NO.	REF. NO.
8JN-83955-00	42 - 5	90102-10044	17 - 32	90176-08063	33 - 20	90201-101U2	23 - 32	90249-03017	19 - 11	90384-90081	12 - 5
85G-83956-00	40 - 21	90102-10067	16 - 41	90179-08268	1 - 14		23 - 40	90249-03175	19 - 10	90386-08002	11 - 23
8AU-83963-00	40 - 13		17 - 29	90179-08269	1 - 7	90201-10321	13 - 11	90249-12216	27 - 44	90386-09001	11 - 20
8FR-83976-02	43 - 3	90105-05644	11 - 6	90185-08054	17 - 11	90201-103U7	24 - 46	90261-06015	11 - 24	90386-16001	24 - 37
88T-8399F-00	40 - 22		11 - 12	90185-10019	25 - 19	90201-104A7	12 - 20	90261-06019	11 - 24	90386-20001	24 - 27
498-84145-60	38 - 8		45 - 6	90185-10085	17 - 34	90201-107G8	13 - 10	90261-06033	11 - 24		24 - 48
498-84163-60	38 - 10		46 - 4	90185-12058	25 - 7	90201-12317	13 - 12	90267-40029	15 - 23	90387-0514T	11 - 5
498-84164-60	38 - 9	90105-06405	28 - 5	90201-04027	15 - 17		25 - 6	90267-40172	15 - 66		45 - 5
84R-8430A-A0	38 - 1	90105-06437	20 - 8		15 - 52	90201-144J2	28 - 33	90267-47186	15 - 69	90387-0514U	11 - 11
83R-8430A-G0	38 - 1	90105-08408	15 - 29	90201-042E0	15 - 67	90201-171J5	27 - 30		43 - 10		45 - 11
83R-8430M-00	38 - 11		33 - 3	90201-043H5	15 - 26	90201-17713	3 - 13	90267-48014	22 - 10		46 - 3
2F9-84314-00	38 - 6	90105-08483	25 - 11	90201-043H7	29 - 31		3 - 19	90267-48018	15 - 16	90387-060U0	34 - 11
51L-8431U-00	38 - 3	90105-10027	24 - 41		29 - 66	90201-19008	24 - 66		15 - 51	90387-061U9	14 - 17
36Y-84324-00	38 - 5	90105-10209	24 - 29	90201-047A2	34 - 18	90201-20022	23 - 48		29 - 18	90387-06241	29 - 59
26H-8432M-00	38 - 13		24 - 50	90201-047R8	23 - 6		23 - 53	90267-48023	15 - 71	90387-06299	35 - 11
51L-84332-00	38 - 2	90105-10237	24 - 13	90201-05029	29 - 54	90201-20792	27 - 16	90267-48051	15 - 15	90387-063W4	6 - 31
51L-84334-00	38 - 4		24 - 70	90201-05033	31 - 5		27 - 28	90267-48060	15 - 14	90387-066N1	39 - 9
36Y-84354-00	38 - 16	90105-10329	24 - 9	90201-05036	43 - 9	90201-224L4	27 - 8		20 - 6	90387-081R2	15 - 11
8JD-84359-00	38 - 18	90105-10410	16 - 8	90201-054K4	34 - 26		27 - 14	90267-48079	29 - 30	90387-082J1	25 - 10
36Y-84397-00	38 - 7	90105-14003	28 - 8	90201-06042	29 - 52		27 - 22	90267-48086	33 - 22		25 - 15
8JN-84710-00	39 - 1	90105-27484	27 - 50	90201-06043	35 - 14	90201-225L2	27 - 23	90267-48194	23 - 5	90387-084R1	16 - 18
8K4-84711-01	39 - 3	90109-065E6	6 - 28	90201-06072	28 - 4	90201-252F1	12 - 17	90267-48199	23 - 9	90387-10022	24 - 8
1A2-84714-41	39 - 2	90109-10030	23 - 23	90201-06078	29 - 39	90201-25526	12 - 17		23 - 13	90387-10023	24 - 35
8AC-84717-01	41 - 21		24 - 6		29 - 44	90201-25527	12 - 17	90267-49152	15 - 9	90387-10024	24 - 31
8K4-84718-00	39 - 7	90113-06039	16 - 47		29 - 48	90201-257G7	13 - 9	90269-05039	29 - 36	90387-100A4	16 - 39
87M-84723-00	39 - 6		23 - 19	90201-06081	24 - 18	90201-257J2	12 - 18	90269-05051	3 - 37	90387-1014Y	25 - 22
8K4-84733-01	39 - 4		23 - 22		24 - 57	90201-33299	2 - 18	90269-05055	34 - 21	90387-101A1	24 - 38
8GM-85110-00	42 - 1	90116-08104	1 - 5	90201-063A5	15 - 59	90201-345G2	12 - 6		34 - 28	90387-101Y9	16 - 38
	42 - 3	90116-08302	1 - 13	90201-064J1	28 - 35	90201-535H6	16 - 32	90280-05002	2 - 27	90387-105G5	23 - 26
3Y6-85130-02	42 - 6	90119-06108	3 - 32	90201-06557	29 - 58	90201-536A1	16 - 32	90280-05014	2 - 24		24 - 22
81L-85520-M0	35 - 3	90122-05022	29 - 26	90201-06778	15 - 58	90202-05088	29 - 29		3 - 15	90387-106J3	16 - 11
8AU-85540-00	41 - 7	90149-08230	33 - 4	90201-067F9	16 - 28	90202-08204	11 - 21	90338-21075	4 - 2	90387-121E8	27 - 41
2A7-85546-00	41 - 8	90151-06010	23 - 3	90201-080L1	16 - 22		45 - 16	90338-30219	27 - 55	90387-145T7	28 - 32
8AT-85550-01	35 - 1		25 - 29	90201-08100	1 - 8	90202-09227	11 - 18	90338-44093	15 - 44	90387-1815A	25 - 20
8AT-85560-10	35 - 2	90154-05047	31 - 3	90201-08624	4 - 14		45 - 15	90380-10129	13 - 8	90387-19002	24 - 14
8R4-85580-M0	35 - 6	90154-06050	28 - 19	90201-08649	25 - 9		46 - 7	90380-16109	25 - 24	90387-19007	24 - 15
8GJ-W176G-02	45 - 1	90154-06062	12 - 4		25 - 16	90202-14037	16 - 43	90380-28237	11 - 15	90387-20022	23 - 47
8ET-W176H-00	46 - 1	90157-05027	40 - 3	90201-08759	17 - 33	90202-22238	25 - 21		46 - 6		23 - 52
8JD-W2190-01	15 - 1	90159-05129	35 - 8	90201-08766	38 - 17	90206-11016	5 - 6	90381-14101	24 - 21	90387-20023	23 - 51
8E1-W2628-00	44 - 1	90159-05130	35 - 7	90201-08784	19 - 21	90208-25045	26 - 7	90381-28108	24 - 63	90387-220X0	22 - 11
8FM-W4741-10	25 - 25	90170-08220	16 - 20	90201-10043	24 - 39	90209-24073	2 - 11	90383-23002	24 - 3	90387-226V7	27 - 15
83R-W4751-10	26 - 1	90170-08261	28 - 43	90201-10051	23 - 28	90210-10004	27 - 46	90384-14091	16 - 36	90387-405T8	28 - 12
8JD-W7726-00	29 - 2	90170-10186	17 - 23	90201-10072	23 - 24	90214-10003	23 - 34		16 - 48	90430-04004	4 - 8
88R-W8291-00	40 - 1		17 - 28		24 - 10	90214-10007	24 - 69	90384-14096	16 - 37	90430-06016	27 - 54
8K4-W8393-00	40 - 6	90170-16425	2 - 28	90201-100S7	16 - 10	90214-17017	3 - 17	90384-36134	15 - 33	90430-14194	28 - 9
90101-08005	17 - 10		3 - 20	90201-10119	5 - 17	90214-17018	3 - 17	90384-41242	11 - 4	90430-31003	14 - 5
90101-10357	27 - 48	90170-25367	26 - 8	90201-10126	24 - 12	90214-29060	12 - 7		46 - 2	90445-092K1	6 - 37
90102-10039	16 - 40	90176-05059	31 - 4	90201-10136	24 - 44	90215-39268	27 - 51	90384-53175	16 - 30	90445-095F1	19 - 26

NUMERICAL INDEX

PART NO.	REF. NO.	PART NO.	REF. NO.	PART NO.	REF. NO.	PART NO.	REF. NO.	PART NO.	REF. NO.	PART NO.	REF. NO.
90445-114J9	19 - 31	90501-20130	19 - 5	92902-06600	41 - 35	93306-20402	27 - 3	95380-05600	37 - 12	95702-08500	33 - 5
90445-114K5	6 - 40	90501-407E4	25 - 5	92902-08600	3 - 7		27 - 33	95602-05200	11 - 7	95702-10300	23 - 60
90445-115K6	19 - 25	90501-556G6	11 - 25		16 - 51	93306-20582	12 - 13		11 - 13	95702-10500	13 - 13
90445-11735	6 - 34	90501-556G7	11 - 25	92902-10600	23 - 59	93306-20617	2 - 19		42 - 2	95702-12500	13 - 14
90450-99050	6 - 18	90501-606G9	11 - 25	92907-05100	4 - 16	93306-20620	2 - 20	95602-06100	14 - 16	95707-04500	44 - 5
90460-56073	6 - 15	90501-800A1	16 - 15		17 - 18	93306-30627	2 - 16		39 - 10	95707-05300	15 - 32
90460-68230	6 - 17	90506-06065	19 - 14		29 - 28	93306-30628	2 - 17	95602-06200	41 - 13		34 - 27
90461-08113	29 - 64	90506-20272	8 - 4	92907-05200	17 - 17	93306-37206	27 - 4	95602-08200	8 - 3	95707-08500	1 - 6
90461-10011	6 - 9	90507-16045	8 - 7	92907-05600	17 - 15	93306-90802	28 - 15		25 - 12	95707-10300	16 - 42
90462-05059	15 - 13	90507-16046	8 - 8	92907-06600	6 - 11	93310-320G0	2 - 5		25 - 14		17 - 30
90462-10209	14 - 2	90508-10715	19 - 9		10 - 17	93310-524K4	2 - 13		33 - 14	95717-08300	33 - 26
90464-13073	41 - 20	90508-55012	12 - 10		11 - 17	93311-42265	27 - 7	95602-10200	16 - 9	95802-06012	15 - 38
90464-13077	41 - 38	90793-26072	41 - 22		45 - 14	93315-21227	27 - 43		23 - 29	95802-06016	14 - 18
90464-15195	19 - 18	91312-06025	28 - 39	92907-08100	33 - 9	93317-22021	27 - 27		23 - 35		34 - 15
	41 - 19	91401-16025	3 - 29	92907-08200	33 - 8	93317-222B2	27 - 59		23 - 43	95802-06020	41 - 28
90464-16039	4 - 22		3 - 31	92907-08600	3 - 5	93317-32241	27 - 13		24 - 25	95802-06025	3 - 39
90465-08125	15 - 55	91401-20020	16 - 12		3 - 9		27 - 21		24 - 33	95802-08016	18 - 2
90465-08277	6 - 8		16 - 44		6 - 14	93410-25017	12 - 19		24 - 42	95807-08045	33 - 19
90465-08316	6 - 32	91401-25020	17 - 31		12 - 16	93410-52061	15 - 41	95602-14200	23 - 49	95812-06035	27 - 58
	12 - 22	91609-25050	19 - 7		33 - 27		16 - 33		23 - 57	95812-06045	27 - 56
90465-08368	15 - 12	91609-30008	25 - 23		38 - 15	93430-02001	19 - 12	95607-05200	45 - 7	95812-08035	25 - 13
90465-10098	39 - 8	91609-30010	2 - 15	92907-16100	2 - 29	93440-34170	12 - 8		46 - 5	95812-08040	28 - 23
90465-10189	22 - 2		22 - 7		3 - 18	93440-78069	2 - 25	95612-08318	1 - 11	95812-10030	25 - 18
90467-08017	14 - 21	91609-30016	19 - 6		11 - 28	93450-21053	2 - 4	95617-08640	16 - 50	95812-10045	13 - 7
90467-09026	6 - 39	91609-50032	11 - 10		45 - 18	93503-08007	28 - 6	95617-08655	16 - 49		24 - 23
	14 - 9		45 - 10	92990-05100	37 - 13	93505-32002	4 - 3	95702-04300	34 - 19	95812-10050	24 - 32
	19 - 24	91830-22016	9 - 2		37 - 13	93603-22028	5 - 9	95702-05300	29 - 55	95812-10070	24 - 24
90467-11009	6 - 42	91A20-05065	19 - 26	92990-06600	41 - 3	93604-07141	9 - 3		40 - 5	95812-10080	23 - 33
	19 - 22	91A21-05155	19 - 27	93101-10001	5 - 2	93612-44229	27 - 40	95702-05500	42 - 4		23 - 41
90467-11032	6 - 36	91A30-03042	4 - 5	93102-15212	28 - 3	93700-06004	16 - 29		42 - 7	95812-10090	24 - 40
	6 - 41	91A30-05004	14 - 15	93102-20010	27 - 34	94702-00188	1 - 2	95702-06300	15 - 60	95817-10020	12 - 21
	14 - 8	91A30-05010	14 - 10	93102-22014	27 - 5	94709-00188	1 - 2		24 - 19	95822-06016	41 - 12
	19 - 16	91A30-05052	14 - 19	93102-36232	15 - 34	94880-06070	28 - 11		24 - 58		43 - 6
	19 - 23	91A30-05060	14 - 20	93102-46394	28 - 16	95022-06040	5 - 12		29 - 11	95822-06030	9 - 6
90468-02025	4 - 7	91A30-05085	14 - 12	93103-32095	2 - 21	95022-06055	5 - 13		29 - 23	95822-08014	26 - 9
	4 - 18	91A30-05120	14 - 11	93103-32156	2 - 26	95301-05600	4 - 13		29 - 45		33 - 7
90468-10003	29 - 27	91A30-07016	14 - 13	93103-36117	15 - 35	95301-06700	10 - 11		29 - 49	95822-08016	9 - 8
90480-10348	15 - 61	92502-06020	29 - 14	93108-37011	24 - 4	95302-05600	37 - 5		34 - 16		10 - 19
90480-12012	34 - 30	92901-05100	4 - 12	93109-53036	16 - 31	95302-05700	6 - 26		41 - 17	95827-06016	15 - 18
90480-12314	41 - 24	92901-06100	10 - 10	93210-10010	28 - 34	95302-06600	29 - 41		41 - 36	95827-08020	33 - 11
90480-15061	15 - 45	92902-03100	6 - 5	93210-19123	28 - 21	95302-10700	27 - 47	95702-06500	6 - 33		33 - 13
90480-15268	33 - 23	92902-05100	37 - 6	93210-28763	28 - 14	95307-06600	36 - 21		28 - 36	95827-08025	33 - 25
90501-02217	4 - 4	92902-05200	40 - 9	93306-00002	5 - 15	95307-08600	16 - 21		28 - 41	95827-08055	17 - 6
90501-083J9	19 - 28	92902-05600	6 - 25	93306-00444	23 - 56	95307-08800	33 - 10		28 - 46	95827-08075	9 - 4
90501-084G9	6 - 35	92902-06100	29 - 40	93306-00507	26 - 6	95307-10700	17 - 22		29 - 60	95827-08085	9 - 5
90501-084J0	6 - 38	92902-06200	29 - 10	93306-20315	3 - 11		17 - 27		41 - 30	95827-10050	21 - 17
90501-101A7	28 - 28	92902-06600	28 - 38	93306-20321	27 - 18	95312-08600	28 - 42	95702-08300	16 - 52	97002-06014	41 - 16
90501-147A6	28 - 7		29 - 15		27 - 32	95380-05600	37 - 12		19 - 20	97002-06025	24 - 17

NUMERICAL INDEX

PART NO.	REF. NO.	PART NO.	REF. NO.	PART NO.	REF. NO.	PART NO.	REF. NO.	PART NO.	REF. NO.	PART NO.	REF. NO.
97002-06025	24 - 56	99001-04600	40 - 19								
97007-06010	27 - 52	99009-10400	5 - 8								
97007-06014	10 - 16	99009-12400	27 - 45								
97007-08025	6 - 13	99009-14400	24 - 54								
97007-08040	38 - 14	99009-20400	27 - 29								
97012-10050	23 - 27	99009-22400	27 - 9								
97017-06030	11 - 16		27 - 24								
		99009-35400	23 - 38								
97022-06020	16 - 25	99009-40500	3 - 12								
97022-06025	15 - 57	99009-52500	12 - 14								
97022-08055	3 - 6	99246-00080	3 - 24								
97027-06025	6 - 10	99246-00120	31 - 7								
97027-08020	12 - 15	99246-00280	30 - 1								
97027-08040	3 - 4	99530-08016	5 - 11								
97027-08075	3 - 8	99530-10114	27 - 57								
	3 - 10										
97607-04108	35 - 10										
97607-04112	35 - 9										
97701-40130	39 - 5										
97702-50016	29 - 19										
	29 - 65										
97706-30620	40 - 17										
97706-30630	40 - 18										
97707-40616	38 - 12										
97880-06020	41 - 2										
98502-03008	6 - 4										
98502-05016	6 - 24										
98502-06010	6 - 27										
98507-04016	44 - 4										
98507-04018	4 - 20										
98507-05008	17 - 16										
98507-05016	4 - 15										
98507-05030	17 - 14										
98707-04016	34 - 17										
98707-05016	29 - 53										
98902-04020	4 - 9										
98902-06010	14 - 3										
98902-06014	29 - 37										
98902-06025	3 - 38										
98907-05012	29 - 51										
98907-05014	15 - 31										
98907-05016	34 - 25										
98907-06008	27 - 53										
98907-06014	29 - 22										
98907-06016	34 - 10										
	35 - 13										
98907-06025	29 - 57										
98907-06035	15 - 40										