

PARTS CATALOGUE

VK540EA (8ACT) CANADA

VK540EA (8ACU) EUROPE,RUS,JAPAN



2011-11-25

1K8AC-100E1

()

NEWS No.	DATE	COMMENT
PE0-SM-110014	Sep,13, 2011	MOD: FIG. 11, 46 LIST REVISION

VK540EA
PARTS CATALOGUE
©2010 by Yamaha Motor Co., Ltd.
1st edition, April 2010
All rights reserved.
Any reprinting or unauthorized use
without the written permission of
Yamaha Motor Co., Ltd.
is expressly prohibited.
Printed in Japan.

FOREWORD

This Parts Catalogue is related to the parts for the model(s) on the cover page. When you are ordering replacement parts, please refer to this Parts Catalogue and quote both part numbers and part names correctly.

1. Modifications or additions which have been made after the issue of the Parts Catalogue will be announced in the Parts News.

It is advisable that you make the necessary corrections to the Parts Catalogue according to the Parts News.

2. Abbreviations

The following abbreviations are used in this Parts Catalogue.

“UR” Use specified parts number.

“UN” Use as many as needed.

“AP” Alternate Parts

“LM” Locally Made (Parts need to be ordered locally)

“F#” Frame No. (Applicable machine No.)

“O/S” Over Size

3. The number of components for assembly

- Parts, which are to be supplied in an assembly, are listed with a dot (.) in front of the part name as shown below.
- The numeral appearing to the right of each component part indicates the quantity of parts for each assembly unit.

PART NO.	DESCRIPTION	Q'TY	REMARKS
2F5-83310-60	FRONT FLASHER LIGHT ASSY	2	
115-83311-60	.BULB (6V-18W)	1	

4. Applicable colours of graphics are represented in the “REMARKS” as shown below.

PART NO.	DESCRIPTION	Q'TY	REMARKS
2N4-24110-00-X5	FUEL TANK COMP.	2	MXR
3J1-24240-10	.GRAPHIC, FUEL TANK	1	FOR MXR

5. Note that the illustrations for reference in finding parts numbers are not to be used for assembling. When assembling, please use the applicable service manual.

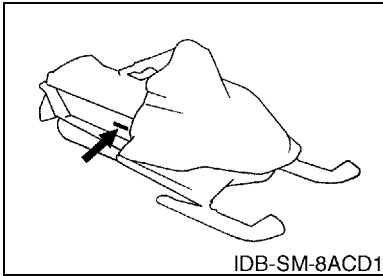
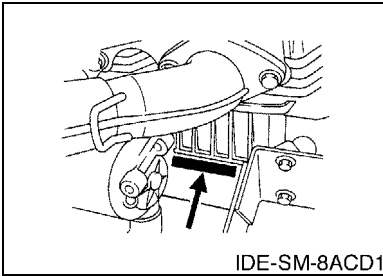
6. The asterisk (*) before a reference number indicates modified items after the first edition.

FOREWORD

7. Applicable Serial No.

Engine Serial No.

Frame Serial No.



10. Applicable Starting Serial No.

Frame Serial No.

Serial No.	Name Of Q'ty Column	Model Code
JYE8AC008BA081466	CAN	8ACT
JYE8AC000BA081316	EUR	8ACU
JYE8AC000BA081316	RUS	8ACU
JYE8AC000BA081316	JPN	8ACU

8. Applicable Colour Code (The (*) mark shows Model colour.)

Abbreviation	Colour Name	Colour Code
BWC1(*)	BLUISH WHITE COCKTAIL 1	0390
SMX(*)	BLACK METALLIC X	0903

9. Quantity Column Information

Column No.	Name Of Q'ty Column	Destination
1	CAN	CANADA
2	EUR	EUROPE
3	RUS	RUS
4	JPN	JAPAN

CONTENTS

ENGINE

CYLINDER HEAD	1
CRANKSHAFT & PISTON	2
AIR SHROUD & FAN	4
OIL PUMP	6
PUMP DRIVE GEAR	7
INTAKE	8
CARBURETOR	10
EXHAUST	12
CRANKCASE	13
STARTER	14

DRIVE

PRIMARY SHEAVE	15
SECONDARY SHEAVE	17

BODY

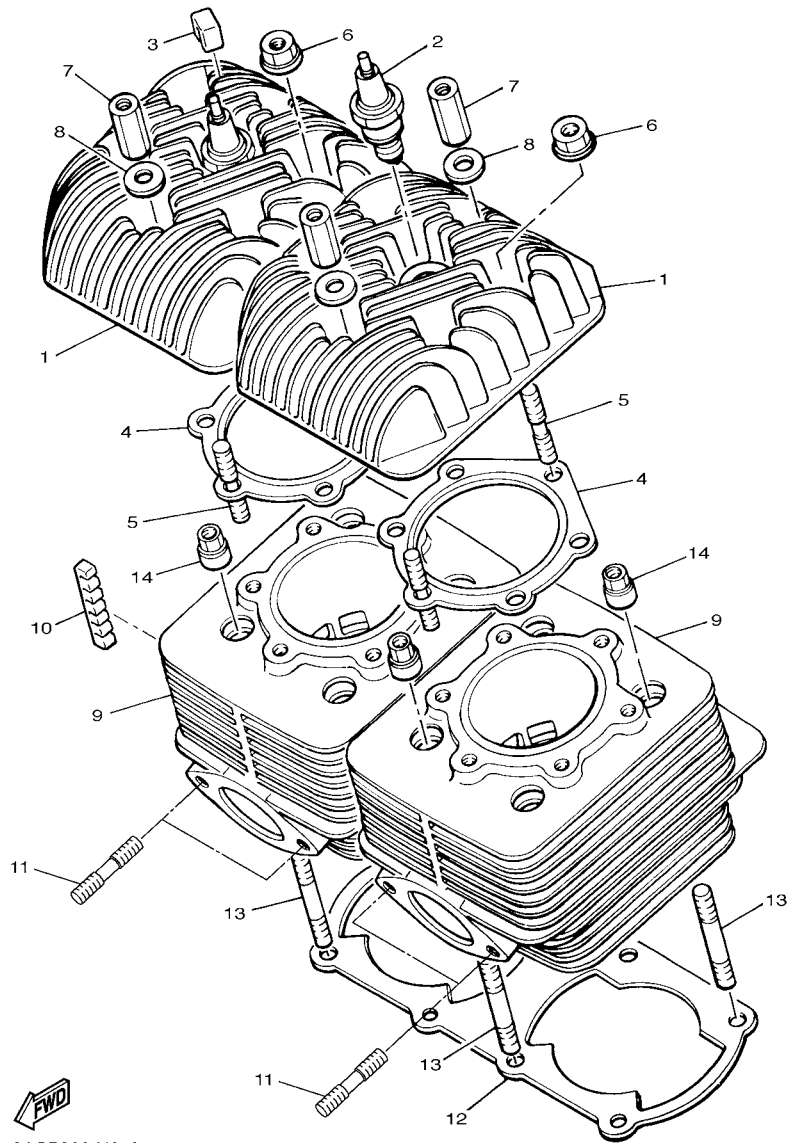
ENGINE BRACKET	18
OIL TANK	19
FRAME	20
SKI	23
STEERING	26
STEERING GATE	28
FUEL TANK 1	29
FUEL TANK 2	30
SEAT	32
BRAKE	33
CONTROL CABLE	34
TRACK SUSPENSION 1	35
TRACK SUSPENSION 2	37
TRACK SUSPENSION 3	41
TRACK DRIVE 1	42
TRACK DRIVE 2	43
TRACK DRIVE 3	46
SHROUD	48
EMBLEM	51
WINDSHIELD	52
GUARD & LUGGAGE BOX	53
BUMPER	54
INSTRUMENT PANEL	56

ELECTRICAL

GENERATOR	58
STARTING MOTOR	59
METER	60
HEADLIGHT	61
TAILLIGHT	62
HANDLE SWITCH & LEVER	63
ELECTRICAL 1	64
ELECTRICAL 2	66
ELECTRICAL 3	67
ALTERNATE REAR VIEW MIRROR	68
ALTERNATE REBUILD KIT	69
ALTERNATE CLUTCH TUNE UP KIT	70

INDEX

NUMERICAL INDEX	71
-----------------------	----



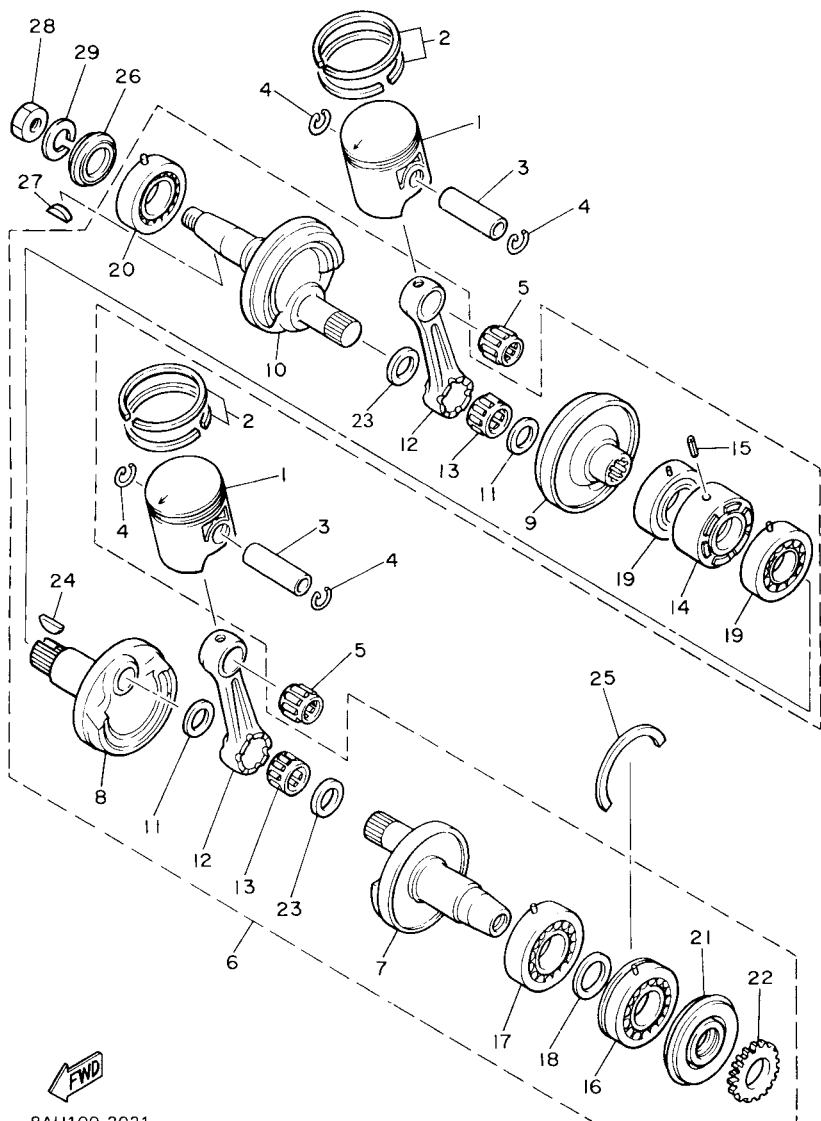
8ACP300-H010

FIG. 1 CYLINDER HEAD

REF. NO.	PART NO.	DESCRIPTION	CAN	EUR	RUS	JPN	REMARKS
1	8R6-11111-00	HEAD, CYLINDER 1	2	2	2	2	
2	94702-00188	PLUG, SPARK (NGK BR9ES)	2	2	2		
	94709-00188	PLUG, SPARK (NGK BR9ES)				2	
3	83R-11161-00	ABSORBER 1	12	12	12	12	
4	83R-11181-00	GASKET, CYLINDER HEAD 1	2	2	2	2	
5	90116-08104	BOLT, STUD	12	12	12	12	
6	95707-08500	NUT, FLANGE	8	8	8	8	
7	90179-08269	NUT	4	4	4	4	
8	90201-08100	WASHER, PLATE	4	4	4	4	
9	83R-11311-00	CYLINDER 1	2	2	2	2	
10	83R-11162-00	ABSORBER 2	8	8	8	8	
11	95612-08318	BOLT, STUD	4	4	4	4	
12	89N-11351-00	GASKET, CYLINDER	1	1	1	1	
13	90116-08302	BOLT, STUD	8	8	8	8	
14	90179-08268	NUT	8	8	8	8	

FIG. 2 CRANKSHAFT & PISTON

REF. NO.	PART NO.	DESCRIPTION	CAN	EUR	RUS	JPN	REMARKS
1	8R6-11631-00-95	PISTON (STD)	2	2	2	2	
	8R6-11635-00	PISTON (0.25MM O/S)	2	2	2	2	AP
	8R6-11636-00	PISTON (0.50MM O/S)	2	2	2	2	AP
2	8R6-11601-00	PISTON RING SET (STD)	2	2	2	2	
	8R6-11601-10	PISTON RING SET (0.25MM O/S)	2	2	2	2	AP
	8R6-11601-20	PISTON RING SET (0.50MM O/S)	2	2	2	2	AP
3	8H8-11633-00	PIN, PISTON	2	2	2	2	
4	93450-21053	CIRCLIP	4	4	4	4	
5	93310-320G0	BEARING	2	2	2	2	
6	8AT-11400-01	CRANKSHAFT ASSY	1	1	1	1	
7	83R-11412-01	.CRANK 1	1	1	1	1	
8	8H8-11422-01	.CRANK 2	1	1	1	1	
9	8H8-11432-01	.CRANK 3	1	1	1	1	
10	8AT-11442-00	.CRANK 4	1	1	1	1	
11	90209-24073	.WASHER	2	2	2	2	
12	8R6-11651-00	.ROD, CONNECTING	2	2	2	2	
13	93310-524K4	.BEARING	2	2	2	2	
14	8H8-11515-00	.SEAL, LABYRINTH 1	1	1	1	1	
15	91609-30010	.PIN, SPRING	1	1	1	1	
16	93306-30627	.BEARING	1	1	1	1	
17	93306-30628	.BEARING	1	1	1	1	
18	90201-33299	.WASHER, PLATE	1	1	1	1	
19	93306-20617	.BEARING	2	2	2	2	
20	93306-20620	.BEARING	1	1	1	1	
21	93103-32095	.OIL SEAL	1	1	1	1	
22	8K2-13178-00	.GEAR, PUMP DRIVE	1	1	1	1	
23	8A7-11685-00	.WASHER, CRANK PIN	2	2	2	2	



FWD
8AU100-3021

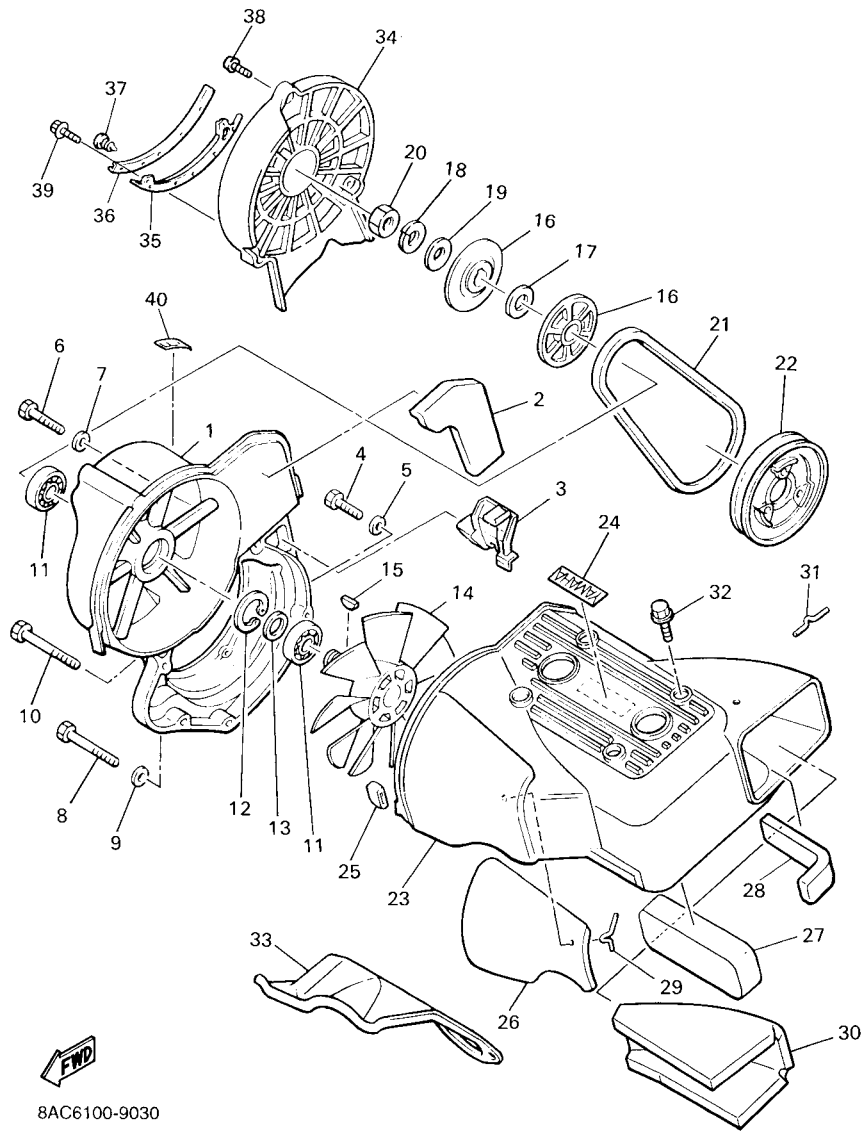
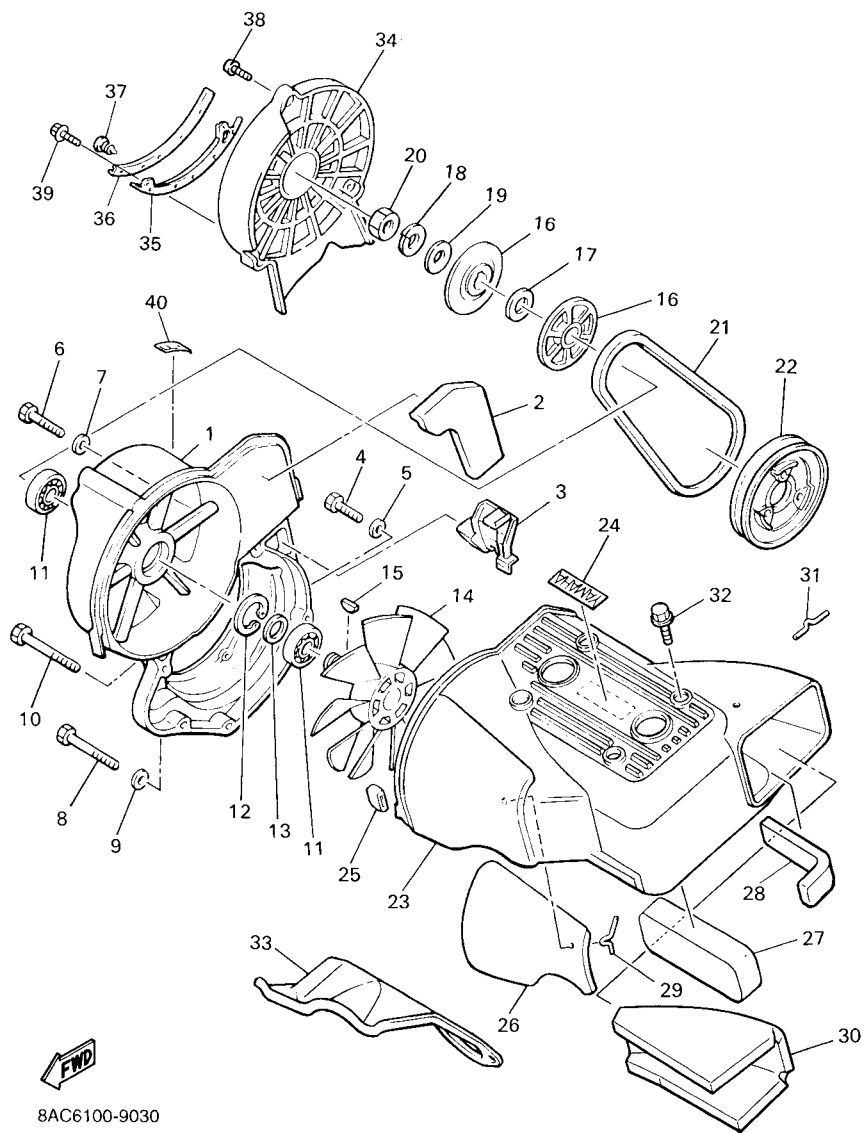


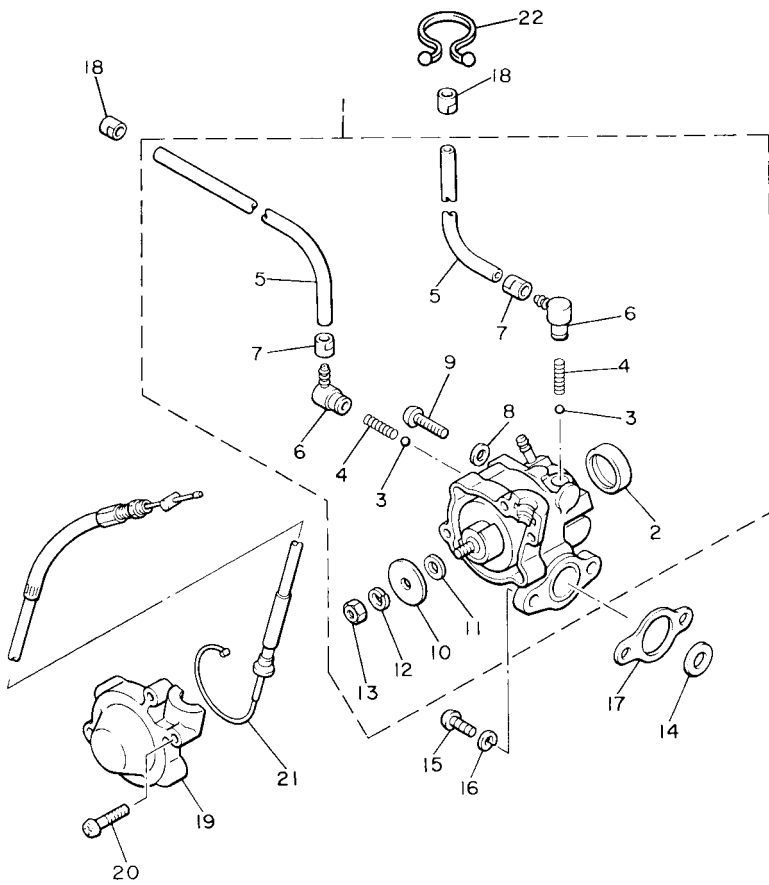
FIG. 3 AIR SHROUD & FAN

REF. NO.	PART NO.	DESCRIPTION	CAN	EUR	RUS	JPN	REMARKS
1	88F-12621-02	CASE, FAN	1	1	1	1	
2	8Y0-12679-00	DAMPER, SHROUD 6	1	1	1	1	
3	8Y0-12658-00	DAMPER, AIR SHROUD 1	1	1	1	1	
4	97027-08040	BOLT, HEXAGON	2	2	2	2	
5	92907-08600	WASHER, PLATE	2	2	2	2	
6	97027-08055	BOLT, HEXAGON	1	1	1	1	
7	92907-08600	WASHER, PLATE	1	1	1	1	
8	97027-08075	BOLT, HEXAGON	1	1	1	1	
9	92907-08600	WASHER, PLATE	1	1	1	1	
10	97027-08075	BOLT, HEXAGON	1	1	1	1	
11	93306-20315	BEARING	2	2	2	2	
12	99009-40500	CIRCLIP	1	1	1	1	
13	90201-17713	WASHER, PLATE	1	1	1	1	
14	8H8-12611-01	FAN	1	1	1	1	
15	90280-05014	KEY, WOODRUFF	1	1	1	1	
16	8H8-12619-01	PULLEY 2	2	2	2	2	
17	90214-17017	WASHER, CLAW (0.5T)	1	1	1	1	UR UN
	90214-17018	WASHER, CLAW (1.0T)	1	1	1	1	UR UN
18	92907-16100	WASHER	1	1	1	1	
19	90201-17713	WASHER, PLATE	1	1	1	1	
20	90170-16425	NUT	1	1	1	1	
21	8H8-12612-00	BELT	1	1	1	1	
22	8H8-12618-01	PULLEY 1	1	1	1	1	
23	8H8-12651-02	AIR SHROUD, CYLINDER 1	1	1	1	1	
24	99246-00080	EMBLEM, YAMAHA	1	1	1	1	
25	8H8-12658-00	DAMPER, AIR SHROUD 1	2	2	2	2	
26	8H8-12659-00	DAMPER, AIR SHROUD 2	1	1	1	1	

FIG. 3 AIR SHROUD & FAN



REF. NO.	PART NO.	DESCRIPTION	CAN	EUR	RUS	JPN	REMARKS
27	8H8-12669-00	DAMPER, AIR SHROUD 4	1	1	1	1	
28	8V8-12678-00	DAMPER, AIR SHROUD 5	1	1	1	1	
29	91401-16025	PIN, COTTER	3	3	3	3	
30	8AT-12679-00	DAMPER, SHROUD 6	1	1	1	1	
31	91401-16025	PIN, COTTER	3	3	3	3	
32	90119-06108	BOLT, WITH WASHER	4	4	4	4	
33	8H8-12652-00	AIR SHROUD, CYLINDER 2	1	1	1	1	
34	8L0-12616-00	COVER, FAN CASE	1	1	1	1	
35	8Y0-12637-02	STAY 1	1	1	1	1	
36	8Y0-12687-02	DAMPER, DUCT 4	1	1	1	1	
37	90269-05051	RIVET	5	5	5	5	
38	98907-06025	SCREW, BIND	2	2	2	2	
39	95807-06025	BOLT, FLANGE	1	1	1	1	
40	8AC-1262A-E0	LABEL, WARNING 2	1	1		1	
	8AC-1262A-R1	LABEL, WARNING 2				1	



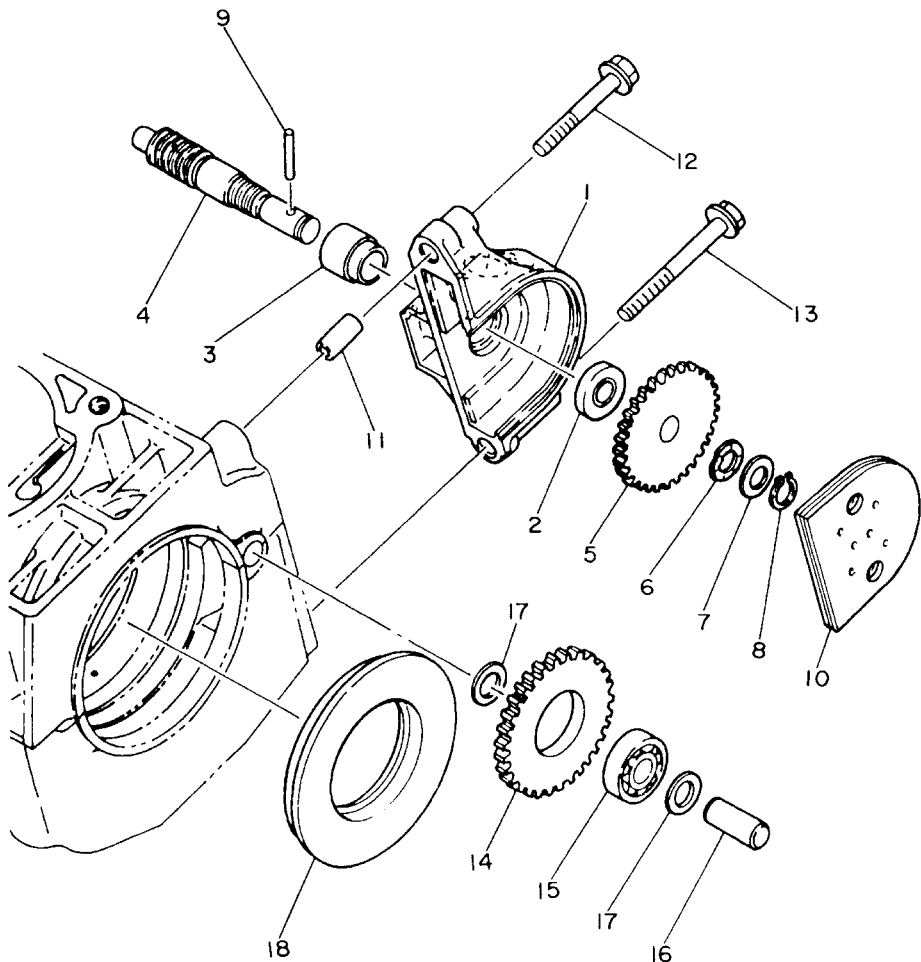
FWD
8AU100-3040

FIG. 4 OIL PUMP

REF. NO.	PART NO.	DESCRIPTION	CAN	EUR	RUS	JPN	REMARKS
1	8AT-13101-00	OIL PUMP ASSY	1	1	1	1	
2	90338-21075	.PLUG	1	1	1	1	
3	93505-32002	.BALL	2	2	2	2	
4	90501-02217	.SPRING, COMPRESSION	2	2	2	2	
5	91A30-03042	.TUBE, FLEXIBLE VINYL	2	2	2	2	
6	353-13552-01	.NOZZLE	2	2	2	2	
7	90468-02025	.CLIP	2	2	2	2	
8	90430-04004	.GASKET	1	1	1	1	
9	98902-04020	.SCREW, BIND	1	1	1	1	
10	137-13138-01	.PLATE, ADJUSTING	1	1	1	1	
11	137-13137-00	.SHIM, PLUNGER	1	1	1	1	
12	92901-05100	.WASHER, SPRING	1	1	1	1	
13	95301-05600	.NUT	1	1	1	1	
14	90201-08624	WASHER, PLATE	1	1	1	1	
15	98507-05016	SCREW, PAN HEAD	2	2	2	2	
16	92907-05100	WASHER, SPRING	2	2	2	2	
17	8Y0-13116-01	GASKET, PUMP CASE	1	1	1	1	
18	90468-02025	CLIP	2	2	2	2	
19	8A5-13146-01	COVER,ADJUST PULLEY	1	1	1	1	
20	98507-04018	SCREW, PAN HEAD	3	3	3	3	
21	8L8-26320-04	PUMP CABLE ASSY	1	1	1	1	
22	90464-16039	CLAMP	1	1	1	1	

FIG. 5 PUMP DRIVE GEAR

REF. NO.	PART NO.	DESCRIPTION	CAN	EUR	RUS	JPN	REMARKS
1	8AT-15416-00	COVER, OIL PUMP	1	1	1	1	
2	93101-10001	OIL SEAL	1	1	1	1	
3	821-13176-00	METAL, WORM SHAFT OUTER	1	1	1	1	
4	866-13175-00	SHAFT, WORM	1	1	1	1	
5	821-13188-00	GEAR, DRIVE (32T)	1	1	1	1	
6	90206-11016	WASHER, WAVE	1	1	1	1	
7	137-13148-00	PLATE, CAM THRUST	1	1	1	1	
8	99009-10400	CIRCLIP	1	1	1	1	
9	93603-22028	PIN, DOWEL	1	1	1	1	
10	8K4-15426-00	COVER, OIL PUMP 2	1	1	1	1	
11	99530-08016	PIN, DOWEL	2	2	2	2	
12	95027-06040	BOLT, FLANGE	1	1	1	1	
13	95027-06055	BOLT, FLANGE	1	1	1	1	
14	8H8-13179-00	GEAR, IDLE (34T)	1	1	1	1	
15	93306-00002	BEARING	1	1	1	1	
16	8G8-13342-00	SHAFT, IDLE GEAR	1	1	1	1	
17	90201-10119	WASHER, PLATE	2	2	2	2	
18	8K4-13119-00	SEAL, GREASE	1	1	1	1	



8AU100-3050

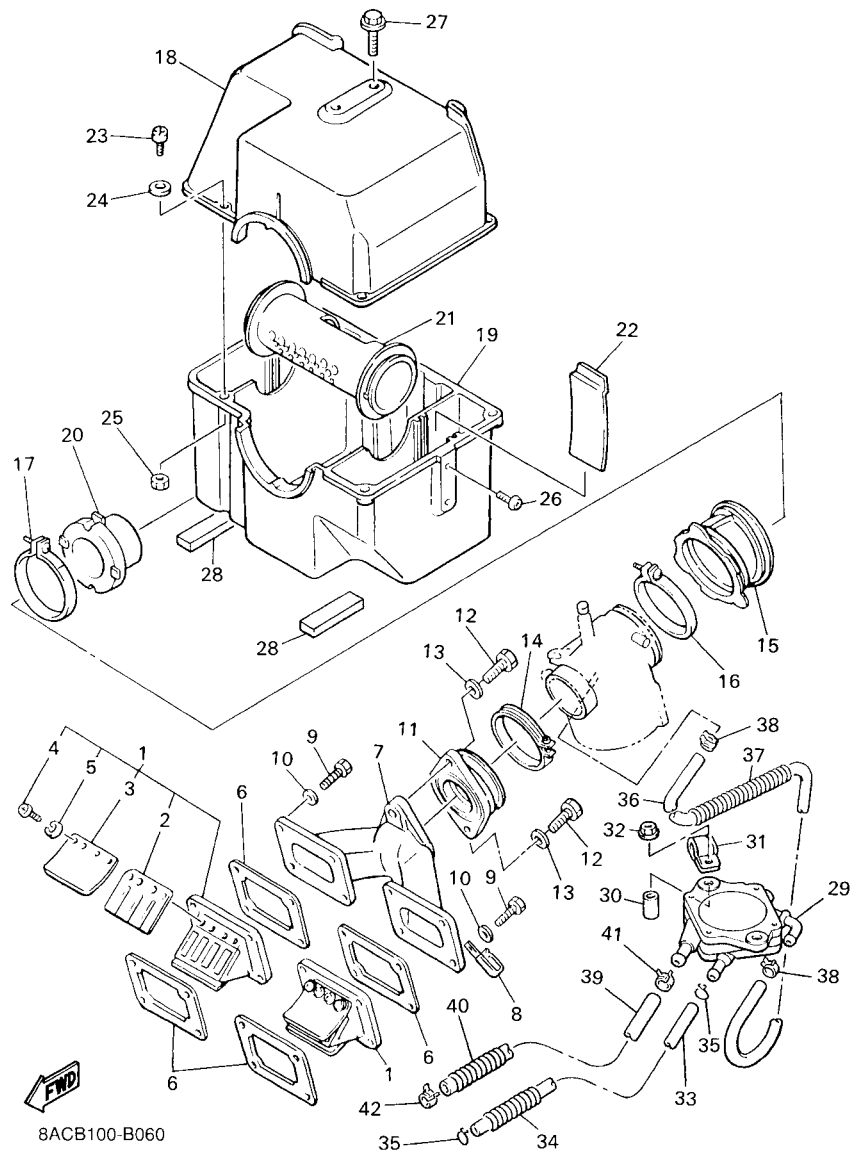


FIG. 6 INTAKE

REF. NO.	PART NO.	DESCRIPTION	CAN	EUR	RUS	JPN	REMARKS
1	8AT-13610-00	REED VALVE ASSY	2	2	2	2	
2	8AT-13613-00	.REED, VALVE	2	2	2	2	
3	8H8-13616-00	.STOPPER, REED VALVE	2	2	2	2	
4	98502-03008	.SCREW, PAN HEAD	8	8	8	8	
5	92902-03100	.WASHER	8	8	8	8	
6	8Y7-13556-01	GASKET, MANIFOLD	4	4	4	4	
7	83R-13565-00	JOINT, CARBURETOR	1	1	1	1	
8	90465-08277	CLAMP	1	1	1	1	
9	97027-06025	BOLT, HEXAGON	8	8	8	8	
10	92907-06600	WASHER, PLATE	8	8	8	8	
11	8G8-13555-01	MANIFOLD, INTAKE	1	1	1	1	
12	97007-08025	BOLT	2	2	2	2	
13	92907-08600	WASHER, PLATE	2	2	2	2	
14	90460-56073	CLAMP, HOSE	1	1	1	1	
15	83R-14453-00	JOINT, AIR CLEANER 1	1	1	1	1	
16	90460-68230	CLAMP, HOSE	1	1	1	1	
17	90450-99050	HOSE CLAMP ASSY	1	1	1	1	
18	8H8-14431-00	SILENCER, INTAKE 1	1	1	1	1	
19	8H8-14441-00	SILENCER, INTAKE 2	1	1	1	1	
20	83R-14465-00	PIPE	1	1	1	1	
21	8H8-14466-00	PIPE	1	1	1	1	
22	8H8-14477-00	PLATE	2	2	2	2	
23	98507-05016	SCREW, PAN HEAD	5	5	5	5	
24	92907-05600	WASHER, PLATE	5	5	5	5	
25	95307-05700	NUT	5	5	5	5	
26	98507-06010	SCREW, PAN HEAD	2	2	2	2	
27	90109-065E6	BOLT	2	2	2	2	

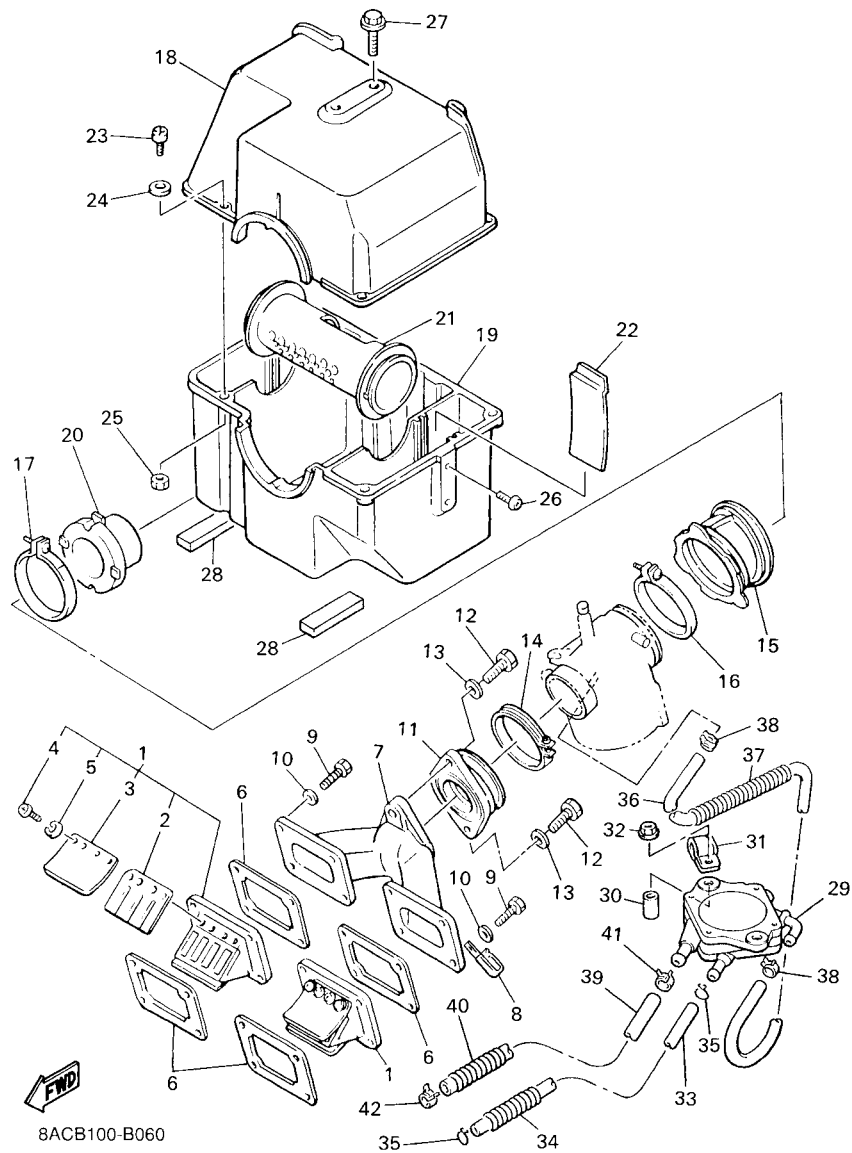
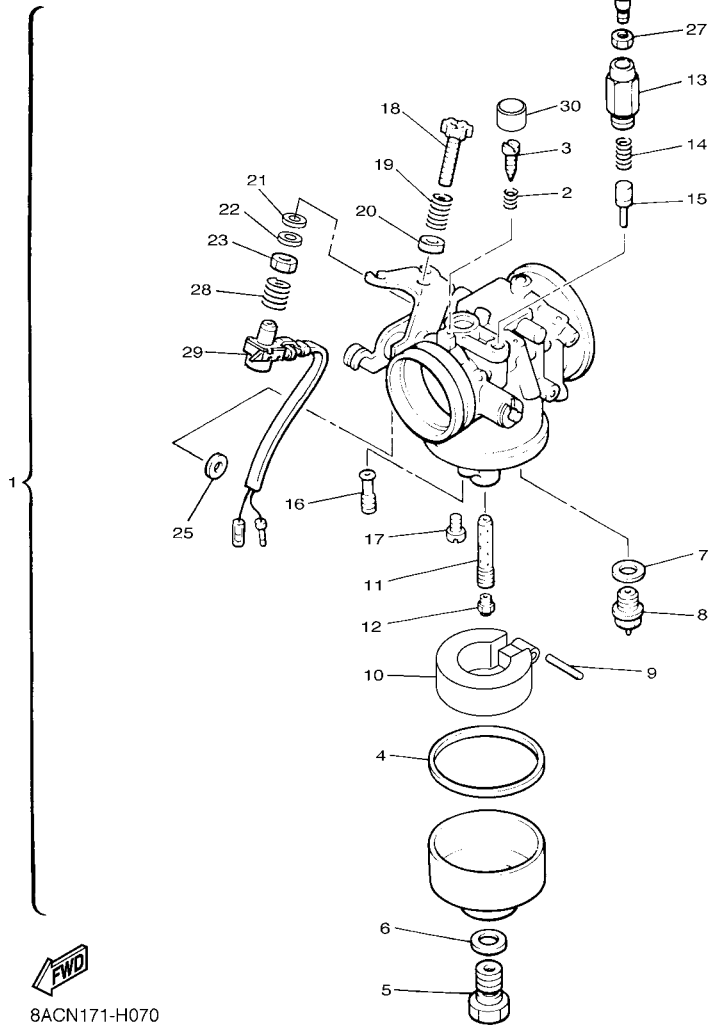


FIG. 6 INTAKE

REF. NO.	PART NO.	DESCRIPTION	CAN	EUR	RUS	JPN	REMARKS
28	83R-14425-00	DAMPER 1	2	2	2	2	
29	8AT-24410-00	FUEL PUMP ASSY	1	1	1	1	
30	90387-063W4	COLLAR	2	2	2	2	
31	90465-08316	CLAMP	1	1	1	1	
32	95707-06500	NUT, FLANGE	2	2	2	2	
33	90445-11073	HOSE (L310)	1				
	90445-11735	HOSE (L320)		1	1	1	
34	90501-084G9	SPRING, COMPRESSION	1	1	1	1	
35	90467-11032	CLIP	2	2	2	2	
36	90445-09033	HOSE (L420)	1				
	90445-092K1	HOSE (L420)		1	1	1	
37	90501-084J0	SPRING, COMPRESSION	1	1	1	1	
38	90467-09026	CLIP	2	2	2	2	
39	90445-11070	HOSE (L80)	1				
	90445-114K5	HOSE (L80)		1	1	1	
40	84M-24327-00	PROTECTOR, PIPE	1	1	1	1	
41	90467-11032	CLIP	1	1	1	1	
42	90467-11009	CLIP	1	1	1	1	

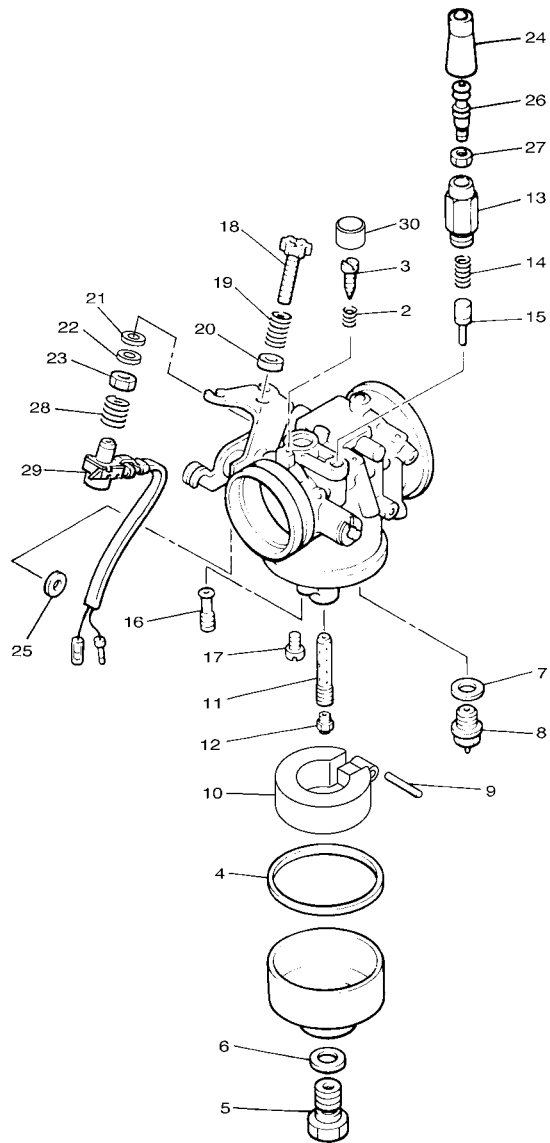


8ACN171-H070

FIG. 7 CARBURETOR

REF. NO.	PART NO.	DESCRIPTION	CAN	EUR	RUS	JPN	REMARKS
1	84R-14101-10	CARBURETOR ASSY 1	1				
	84R-14101-02	CARBURETOR ASSY 1		1	1		
	86R-14101-02	CARBURETOR ASSY 1				1	
2	82A-14134-00	.SPRING, AIR ADJUSTING	1	1	1	1	
3	8AC-14211-00	.SCREW, PILOT ADJUSTING	1				
	620-14211-00	.SCREW, PILOT ADJUSTING		1	1	1	
4	8M6-14126-00	.GASKET	1	1	1	1	
5	8M6-14261-00	.HOLDER	1	1	1	1	
6	286-14198-00	.GASKET	1	1	1	1	
7	214-14195-00	.WASHER, NEEDLE VALVE	1	1	1	1	
8	83R-14190-15	.NEEDLE VALVE ASSY	1	1	1	1	
9	68V-14186-00	.PIN, FLOAT	1	1	1		
	8M6-14186-00	.PIN, FLOAT				1	
10	8M6-14185-00	.FLOAT	1	1	1	1	
11	83R-14941-4E	.NOZZLE, MAIN	1	1	1	1	
12	3G2-1414E-56	.JET, MAIN (#141.3)	1	1	1	1	STD
	3G2-14231-77	.JET, MAIN (#132.5)	1	1	1	1	AP
	3G2-14231-27	.JET, MAIN (#135)	1	1	1	1	AP
	3G2-14231-78	.JET, MAIN (#137.5)	1	1	1	1	AP
	3G2-14231-28	.JET, MAIN (#140)	1	1	1	1	AP
	3G2-14231-79	.JET, MAIN (#142.5)	1	1	1	1	AP
13	8U9-14174-00	.CAP, PLUNGER	1	1	1		
	8G8-14174-00	.CAP, PLUNGER				1	
14	127-14135-00	.COIL, SPRING	1	1	1	1	
15	8G8-14171-00	.PLUNGER, STARTER	1	1	1	1	
16	193-14142-90	.JET, PILOT (# 90)	1	1	1	1	STD
	193-1414F-00	.JET, PILOT (# 100)	1	1	1	1	AP

1

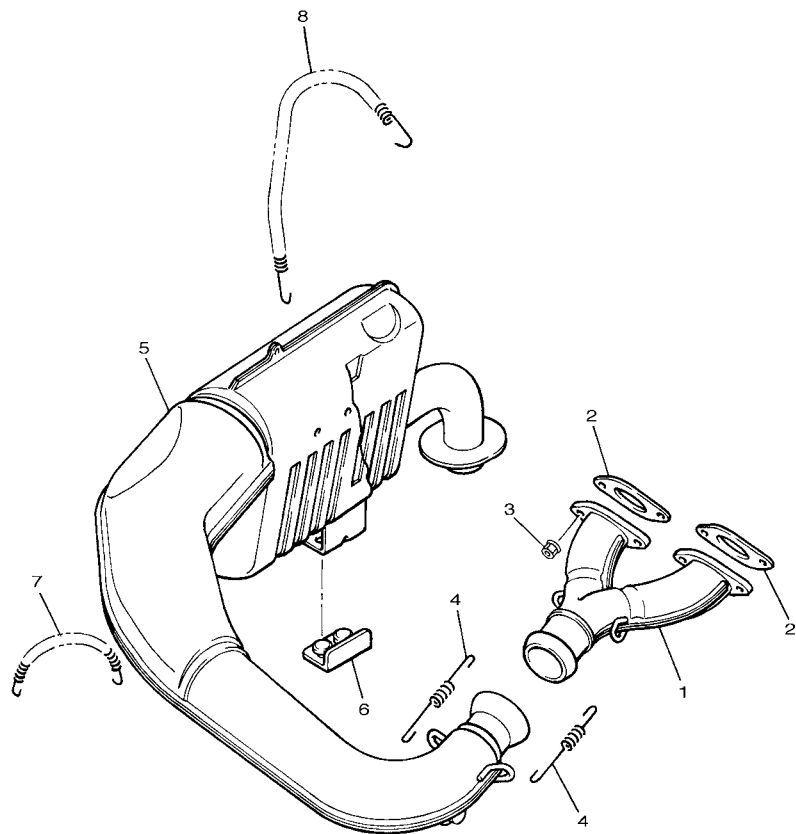


8ACN171-H070

FIG. 7 CARBURETOR

REF. NO.	PART NO.	DESCRIPTION	CAN	EUR	RUS	JPN	REMARKS
17	8V0-14118-00	.CAP	2	2	2	2	
18	89A-14125-00	.SCREW	1	1	1		
	80L-14122-00	.SCREW, THROTTLE				1	
19	2J2-14133-00	.SPRING, THROTTLE STOP	1	1	1		
	8X0-14500-00	.SPRING				1	
20	89A-14265-00	.COLLAR	1	1	1		
	8X0-14184-00	.RING				1	
21	22F-14117-00	.WASHER, PLUG SCREW	1	1	1	1	
22	1UF-14952-00	.WASHER	1	1	1	1	
23	8X0-14358-00	.NUT	1	1	1	1	
24	8A7-14169-00	.CAP	1	1	1	1	
25	80L-14227-00	.WASHER	1	1	1	1	
26	127-14124-20	.SCREW, CABLE ADJUSTING	1	1	1	1	
27	802-14161-00	.NUT, CABLE ADJUSTING	1	1	1	1	
28	89A-24529-00	.SPRING	1	1	1		
	8X0-14133-00	.SPRING, THROTTLE STOP				1	
29	87S-8259A-01	.SWITCH, CARBURETOR	1	1	1	1	
30	8AC-13947-00	.CAP	1				

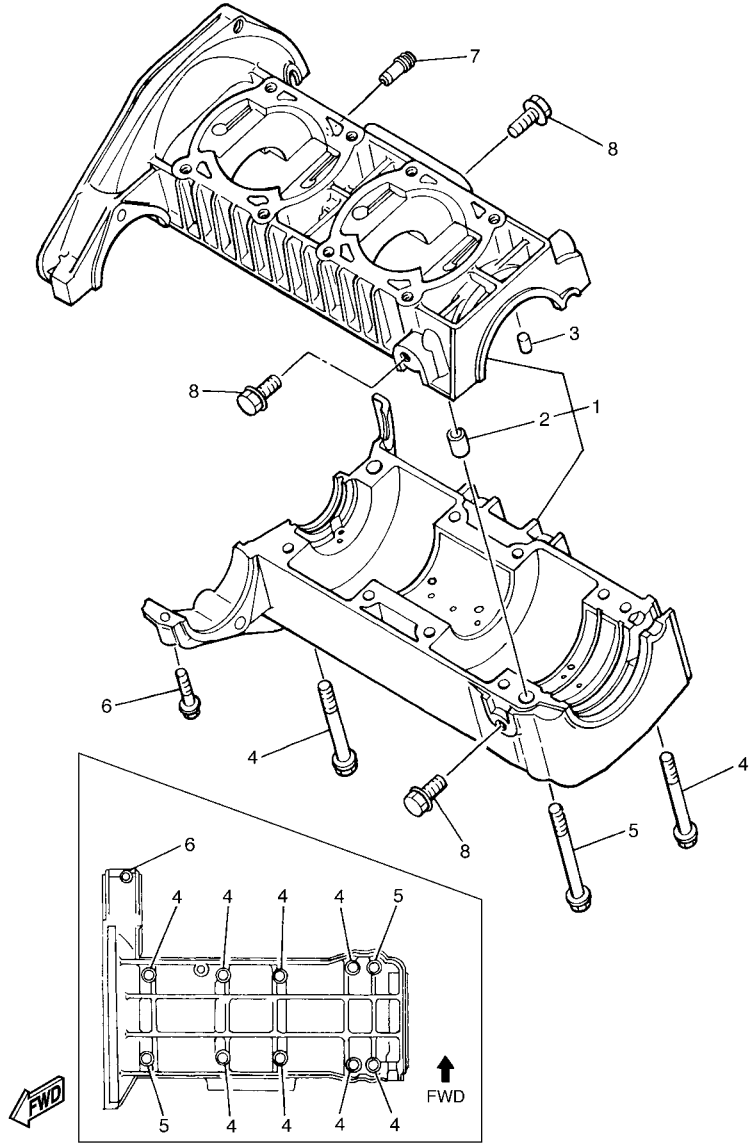
FIG. 8 EXHAUST



REF. NO.	PART NO.	DESCRIPTION	CAN	EUR	RUS	JPN	REMARKS
1	8K4-14610-00	EXHAUST PIPE ASSY 1	1	1	1	1	
2	82M-14613-01	GASKET, EXHAUST PIPE	2	2	2	2	
3	95602-08200	NUT, SELF-LOCKING	4	4	4	4	
4	90506-20272	SPRING, TENSION	2	2	2	2	
5	83R-14710-04	MUFFLER ASSY 1	1	1	1	1	
6	83R-14728-01	PROTECTOR, MUFFLER 2	1	1	1	1	
7	90507-16045	SPRING, TENSION	1	1	1	1	
8	90507-16046	SPRING, TENSION	1	1	1	1	


8ACP300-H080

FIG. 9 CRANKCASE

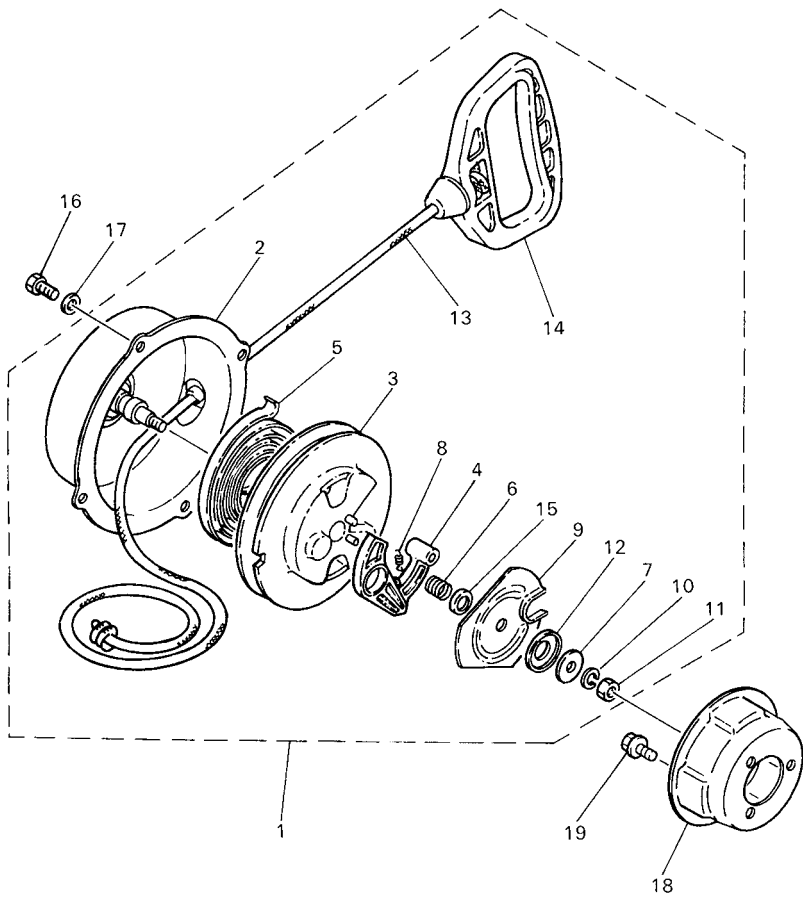


8AC3100-6100

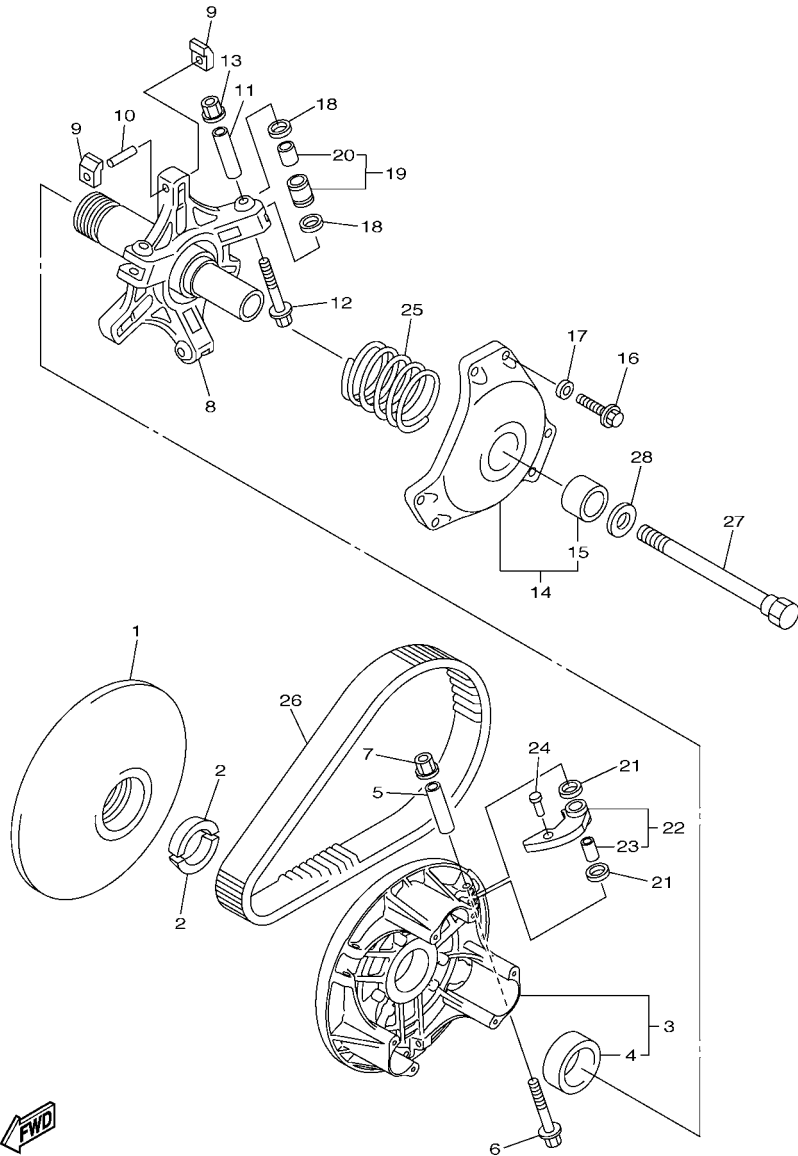
REF. NO.	PART NO.	DESCRIPTION	CAN	EUR	RUS	JPN	REMARKS
1	8H8-15100-02	CRANKCASE ASSY	1	1	1	1	
2	91830-22016	.PIN, DOWEL	2	2	2	2	
3	93604-07141	PIN, DOWEL	2	2	2	2	
4	95827-08075	BOLT, FLANGE	8	8	8	8	
5	95827-08085	BOLT, FLANGE	2	2	2	2	
6	95827-06030	BOLT, FLANGE	1	1	1	1	
7	J38-11116-00	JOINT, BREATHER	1	1	1	1	
8	95827-08016	BOLT, FLANGE	6	6	6	6	

FIG. 10 STARTER

REF. NO.	PART NO.	DESCRIPTION	CAN	EUR	RUS	JPN	REMARKS
1	8H8-15710-00	STARTER ASSY	1	1	1	1	
2	8H8-15711-00	.CASE, STARTER	1	1	1	1	
3	8F3-15714-01	.DRUM, SHEAVE	1	1	1	1	
4	8F3-15741-01	.PAWL, DRIVE	1	1	1	1	
5	8F3-15713-01	.SPRING, STARTER	1	1	1	1	
6	8F3-15715-00	.SPRING, FRICTION	1	1	1	1	
7	8F3-15739-01	.WASHER, THRUST	1	1	1	1	
8	8F3-15734-00	.SPRING, RETURN	1	1	1	1	
9	8F3-15716-03	.PLATE, DRIVE	1	1	1	1	
10	92901-06100	.WASHER, SPRING	1	1	1	1	
11	95301-06700	.NUT	1	1	1	1	
12	8G5-15739-00	.WASHER, THRUST	1	1	1	1	
13	8F3-15751-00	.WIRE, STARTER	1	1	1	1	
14	8F3-15755-00	.HANDLE, STARTER	1	1	1	1	
15	8G5-15716-00	.COLLAR	1	1	1	1	
16	97007-06014	BOLT	4	4	4	4	
17	92907-06600	WASHER, PLATE	4	4	4	4	
18	8H8-15723-01	PULLEY, STARTER	1	1	1	1	
19	95827-08016	BOLT, FLANGE	3	3	3	3	



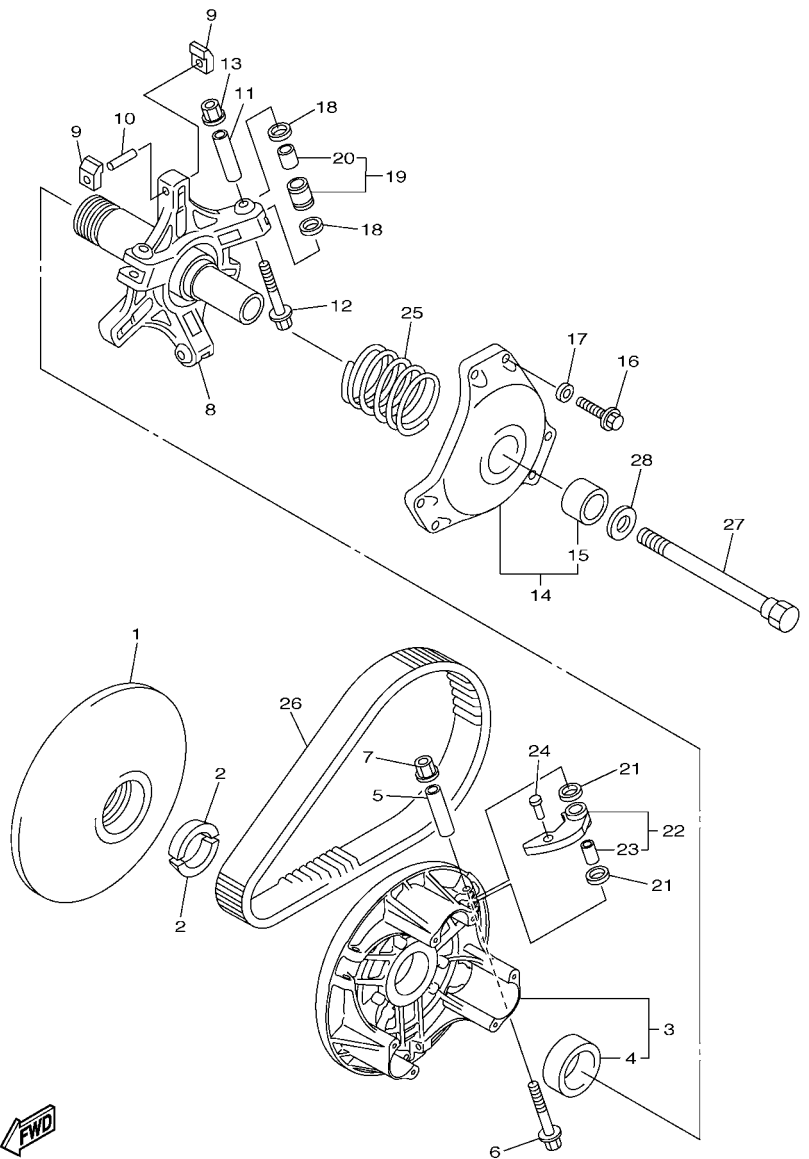
8AC3100-6110



8ACT100-K110

FIG. 11 PRIMARY SHEAVE

REF. NO.	PART NO.	DESCRIPTION	CAN	EUR	RUS	JPN	REMARKS
1	8FA-17611-01	SHEAVE, PRIMARY FIXED	1	1	1	1	
2	8V0-17639-00	STOPPER	2	2	2	2	
3	8BV-17620-03	PRIMARY SLIDING SHEAVE COMP.	1	1	1	1	
4	90384-41242	.BUSH, BIMETAL FORMED	1	1	1	1	
5	90387-0514T	COLLAR	3	3	3	3	
6	90105-05644	BOLT, FLANGE	3	3	3	3	
7	95602-05200	NUT, SELF-LOCKING	3	3	3	3	
8	8ES-17640-01 8ES-17640-02	SPIDER COMPLETE SPIDER COMPLETE	1 1	1 1	1 1	1 1	CAN: TO 8AC-092900 FROM 8AC-092901
9	8BW-17653-00	SLIDER	6	6	6	6	
10	91609-50032	PIN, SPRING	3	3	3	3	
11	90387-0514U	COLLAR	3	3	3	3	
12	90105-05644	BOLT, FLANGE	3	3	3	3	
13	95602-05200	NUT, SELF-LOCKING	3	3	3	3	
14	8BV-17630-11	PRIMARY SHEAVE CAP COMP.	1	1	1	1	
15	90380-28237	.BUSH, SOLID	1	1	1	1	
16	97017-06030	BOLT	6	6	6	6	
17	92907-06600	WASHER, PLATE	6	6	6	6	
18	90202-09227	WASHER, PLATE	6	6	6	6	
19	8FG-17624-00	ROLLER, COMP	3	3	3	3	
20	90386-09001	.BUSH	1	1	1	1	
21	90202-08204	WASHER, PLATE	6	6	6	6	
22	8AT-17605-10	WEIGHT COMP	3	3	3	3	
23	90386-08002	.BUSH	1	1	1	1	
24	90261-06033	RIVET, COUNTERSUNK (ST17.2MM)	3	3	3	3	STD
	90261-06015	RIVET, COUNTERSUNK (ST10.3MM)	3	3	3	3	AP
	90261-06019	RIVET, COUNTERSUNK (ST13.3MM)	3	3	3	3	AP
25	90501-556G6	SPRING, COMPRESSION	1	1	1	1	STD (BLUE)



8ACT100-K110

FIG. 11 PRIMARY SHEAVE

REF. NO.	PART NO.	DESCRIPTION	CAN	EUR	RUS	JPN	REMARKS
25	90501-556G7	SPRING, COMPRESSION	1	1	1	1	AP (Y-BL-Y)
	90501-606G9	SPRING, COMPRESSION	1	1	1	1	AP (P-BL-P)
26	89L-17641-02	V-BELT	1	1	1	1	
27	8V0-17647-00	BOLT (L=156.5MM)	1	1	1	1	
28	92907-16100	WASHER	1	1	1	1	
<hr style="border-top: 1px dashed black;"/>							
<hr style="border-top: 1px dashed black;"/>							
<hr style="border-top: 1px dashed black;"/>							
<hr style="border-top: 1px dashed black;"/>							
<hr style="border-top: 1px dashed black;"/>							
<hr style="border-top: 1px dashed black;"/>							
<hr style="border-top: 1px dashed black;"/>							
<hr style="border-top: 1px dashed black;"/>							
<hr style="border-top: 1px dashed black;"/>							



8AC6100-9120

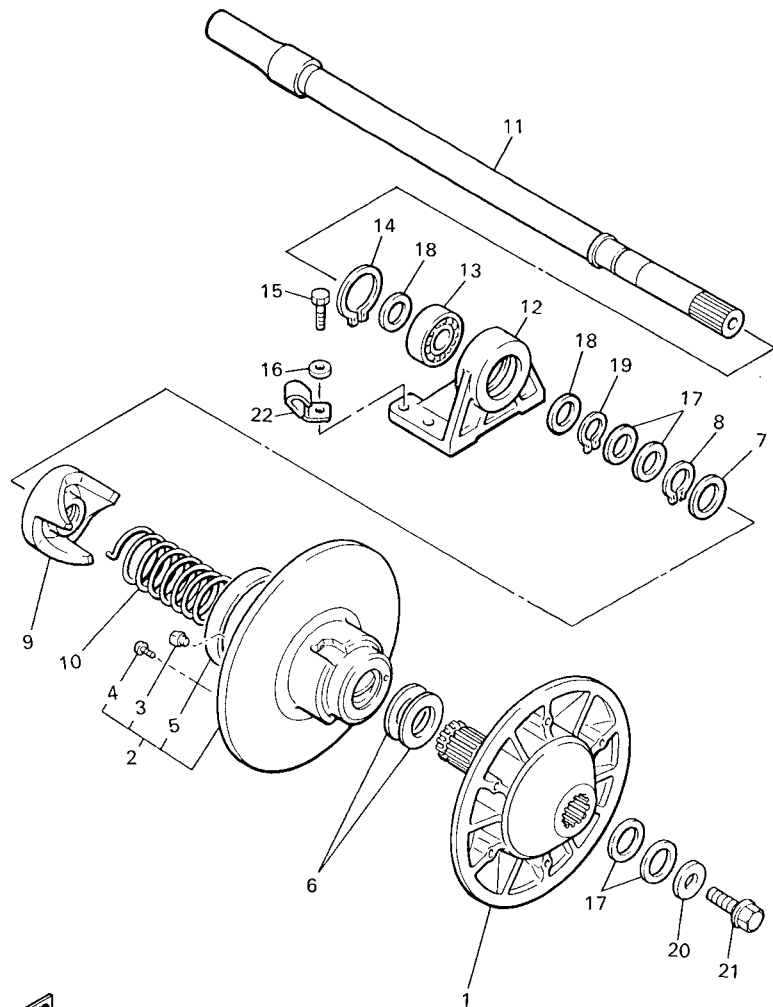
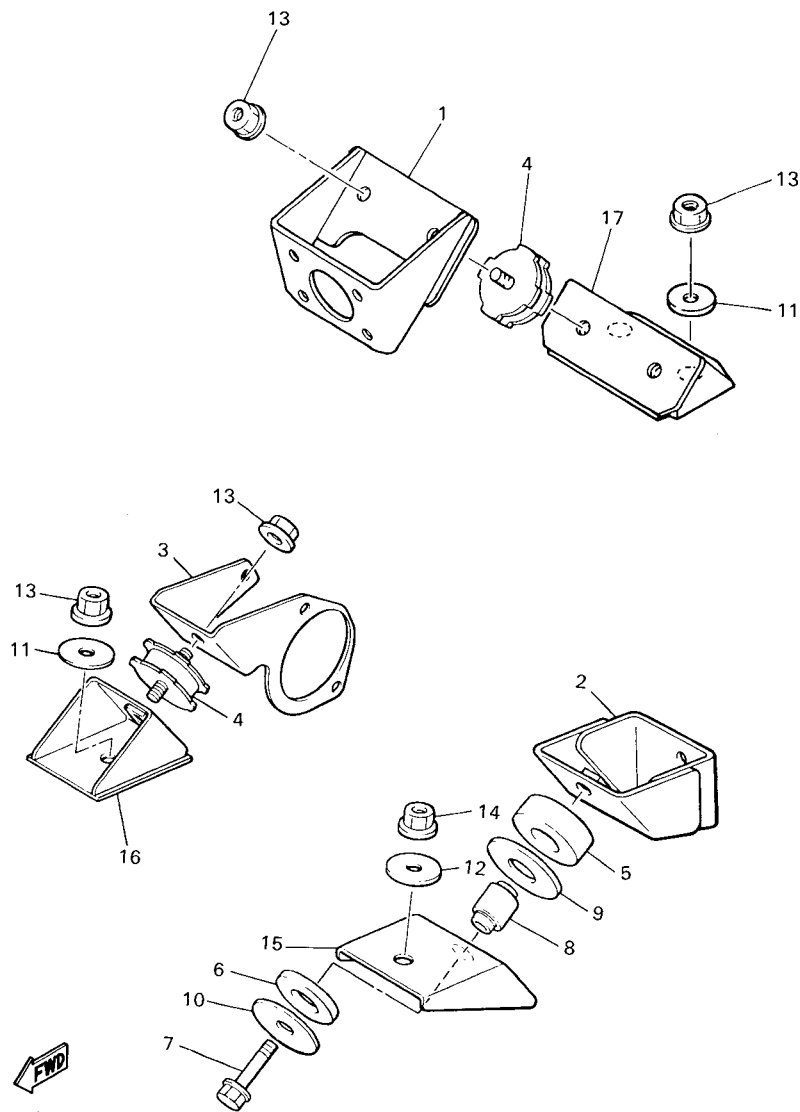


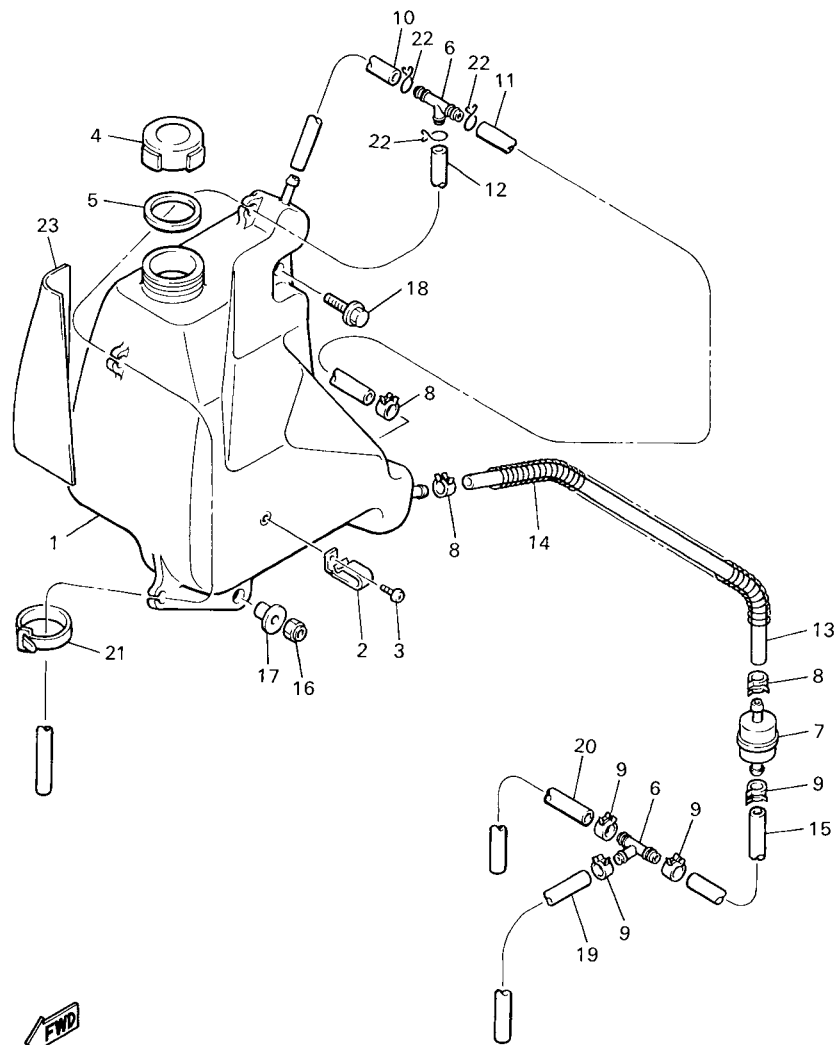
FIG. 12 SECONDARY SHEAVE

REF. NO.	PART NO.	DESCRIPTION	CAN	EUR	RUS	JPN	REMARKS
1	88R-17660-03	SECONDARY FIXED SHEAVE COMP.	1	1	1	1	
2	8AT-17670-01	SECONDARY SLIDING SHEAVE	1	1	1	1	
3	8X6-17688-00	.SHOE, RAMP	3	3	3	3	
4	90154-06062	.SCREW, BINDING	3	3	3	3	
5	90384-90081	.BUSH, BIMETAL FORMED	1	1	1	1	
6	90201-345G2	WASHER, PLATE	2	2	2	2	
7	90214-29060	WASHER, CLAW	1	1	1	1	
8	93440-34170	CIRCLIP	1	1	1	1	
9	8AT-17684-01	SEAT, SECONDARY SPRING	1	1	1	1	
10	90508-50746	SPRING, TORSION	1	1	1	1	
11	88N-17680-02	SECONDARY SHAFT COMP.	1	1	1	1	
12	88N-47631-00	HOUSING, BEARING	1	1	1	1	
13	93306-20582	BEARING	1	1	1	1	
14	99009-52500	CIRCLIP	1	1	1	1	
15	97027-08020	BOLT, HEXAGON	4	4	4	4	
16	92907-08600	WASHER, PLATE	4	4	4	4	
17	90201-252F1	WASHER, PLATE (T0.5)	1	1	1	1	UR UN
	90201-25527	WASHER, PLATE (T1.0)	2	2	2	2	UR UN
	90201-25526	WASHER, PLATE (T2.0)	2	2	2	2	UR UN
18	90201-257J2	WASHER, PLATE	2	2	2	2	
19	93410-25017	CIRCLIP	1	1	1	1	
20	90201-104A7	WASHER, PLATE	1	1	1	1	
21	95817-10020	BOLT, FLANGE	1	1	1	1	
22	90465-08316	CLAMP	1	1	1	1	

FIG. 13 ENGINE BRACKET



REF. NO.	PART NO.	DESCRIPTION	CAN	EUR	RUS	JPN	REMARKS
1	8H8-21411-01	BRACKET, ENGINE 1	1	1	1	1	
2	83R-21419-00	BRACKET, ENGINE 2	1	1	1	1	
3	8H8-21429-01	BRACKET, ENGINE 3	1	1	1	1	
4	8N7-21486-00	DAMPER 2	3	3	3	3	
5	8V9-21485-00	DAMPER, RUBBER 1	1	1	1	1	
6	8V9-21486-00	DAMPER 2	1	1	1	1	
7	95817-10045	BOLT, FLANGE	1	1	1	1	
8	90380-10129	BUSH, SOLID	1	1	1	1	
9	90201-257G7	WASHER, PLATE	1	1	1	1	
10	90201-107G8	WASHER, PLATE	1	1	1	1	
11	90201-10321	WASHER, PLATE	3	3	3	3	
12	90201-12317	WASHER, PLATE	1	1	1	1	
13	95707-10500	NUT, FLANGE	6	6	6	6	
14	95707-12500	NUT, FLANGE	1	1	1	1	
15	8AT-21417-00	BRACKET, FRONT LOWER 1	1	1	1	1	
16	8H8-21418-01	BRACKET, FRONT LOWER 2	1	1	1	1	
17	8H8-21427-00	BRACKET, REAR LOWER 1	1	1	1	1	



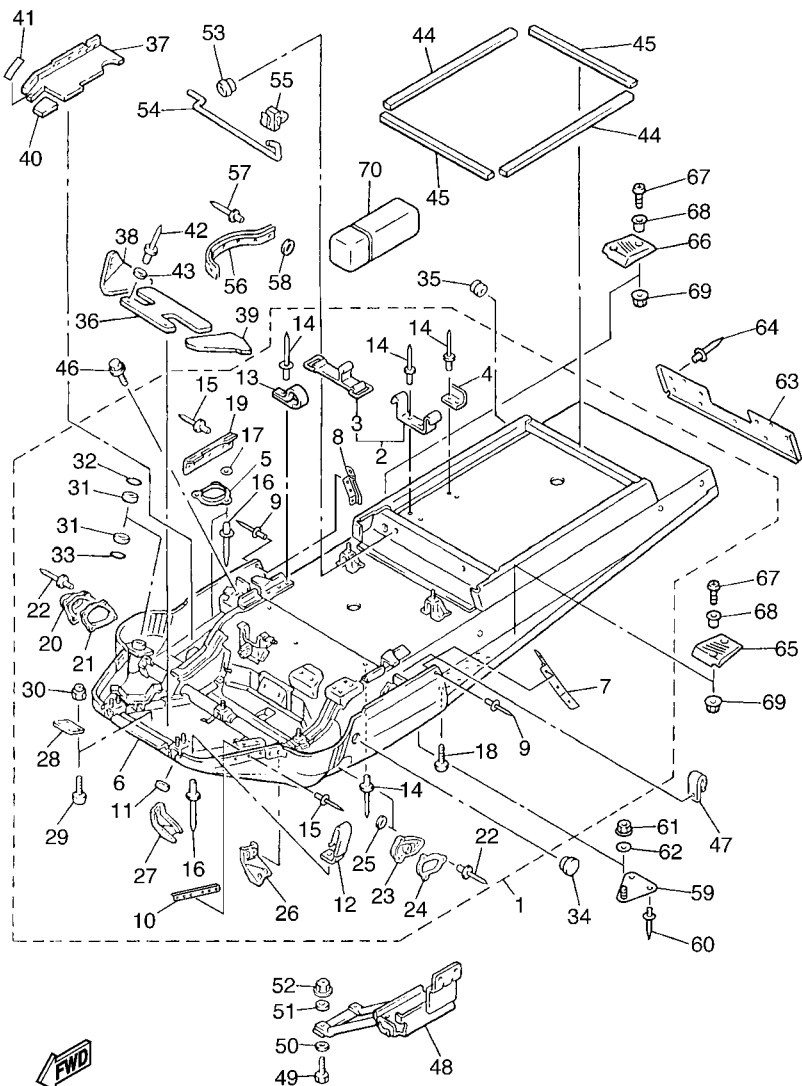
8AC6100-9140

FIG. 14 OIL TANK

REF. NO.	PART NO.	DESCRIPTION	CAN	EUR	RUS	JPN	REMARKS
1	83R-21751-00	TANK, OIL	1	1	1	1	
2	90462-10209	CLAMP	1	1	1	1	
3	98907-06010	SCREW, BIND	1	1	1	1	
4	863-21771-00	BODY, CAP	1	1	1	1	
5	90430-31003	GASKET	1	1	1	1	
6	801-24376-00	PIPE, JOINT 1	2	2	2	2	
7	8G8-13410-00	STRAINER HOUSING ASSY	1	1	1	1	
8	90467-11032	CLIP	2	2	2	2	
9	90467-09026	CLIP	4	4	4	4	
10	91A30-05010	TUBE, FLEXIBLE VINYL	1	1	1	1	
11	91A30-05120	TUBE, FLEXIBLE VINYL	1	1	1	1	
12	91A30-05085	TUBE, FLEXIBLE VINYL	1	1	1	1	
13	91A30-07016	TUBE, FLEXIBLE VINYL	1	1	1	1	
14	84M-24327-00	PROTECTOR, PIPE	1	1	1	1	
15	91A30-05004	TUBE, FLEXIBLE VINYL	1	1	1	1	
16	95607-06100	NUT, U	1	1	1	1	
17	90387-061U9	COLLAR	2	2	2	2	
18	95807-06016	BOLT, FLANGE	1	1	1	1	
19	91A30-05052	TUBE, FLEXIBLE VINYL	1	1	1	1	
20	91A30-05060	TUBE, FLEXIBLE VINYL	1	1	1	1	
21	90464-16061	CLAMP	1	1	1	1	
22	90467-08017	CLIP	3	3	3	3	
23	8AT-21747-00	DAMPER	1	1	1	1	

FIG. 15 FRAME

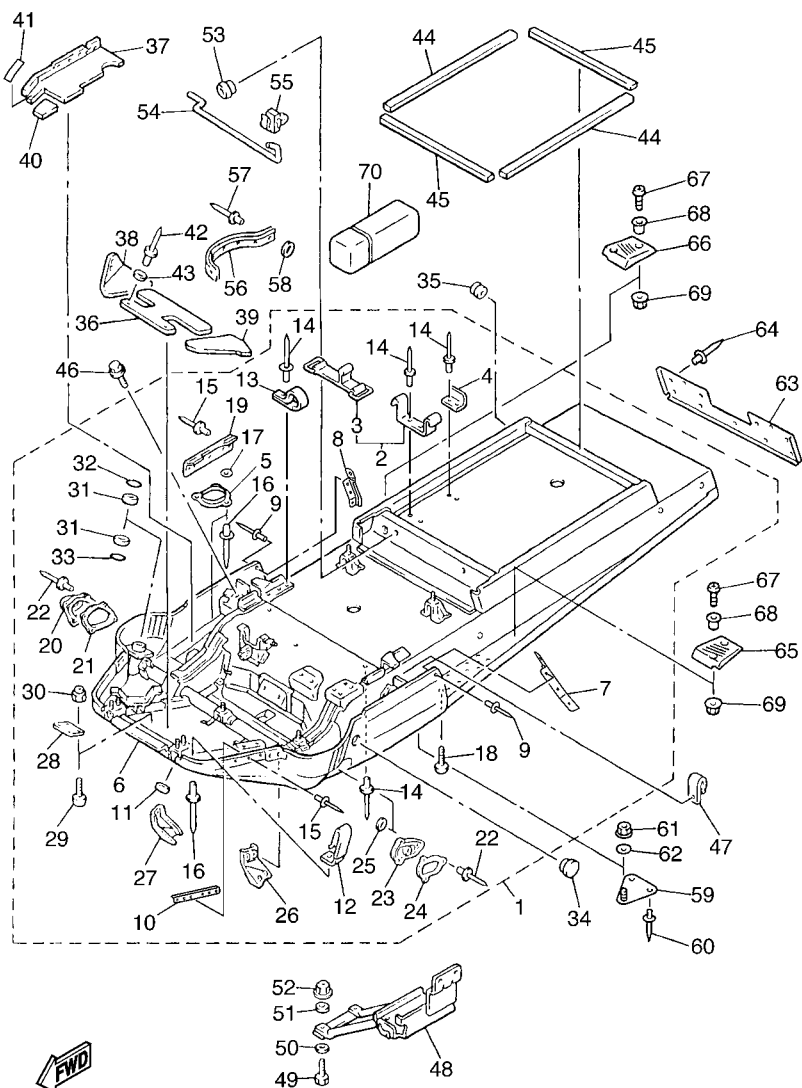
REF. NO.	PART NO.	DESCRIPTION	CAN	EUR	RUS	JPN	REMARKS
1	8AC-21910-20	FRAME COMP.	1				
	8AC-21910-01	FRAME COMP.		1	1	1	
2	81E-21945-00	.BRACKET, TOOL BOX FITTING	1	1	1	1	
3	4J2-82131-01	..BAND, BATTERY	1	1	1	1	
4	83R-21955-00	.BRACKET, TOOL BOX FITTING	1	1	1	1	
5	83R-2198F-00	.COVER 1	1	1	1	1	
6	8AC-21912-10	.PANEL, SUB FRAME 1	1				
	8AC-21912-00	.PANEL, SUB FRAME 1		1	1	1	
7	83R-21986-00	.REINFORCEMENT, FRAME 1	1	1	1	1	
8	83R-21987-00	.REINFORCEMENT, FRAME 2	1	1	1	1	
9	90267-49152	.RIVET, BLIND (4.9X16.1)	6	6	6	6	
10	8AC-21965-00	.PATCH 5	2	2	2	2	
11	90387-081R2	.COLLAR	2	2	2	2	
12	90465-08368	.CLAMP	5	5	5	5	
13	90462-05059	.CLAMP	1	1	1	1	
14	90267-48060	.RIVET, BLIND (4.8X12.9 BLACK)	40	40	40	40	
15	90267-48051	.RIVET, BLIND (4.8X18.7 BLACK)	14	14	14	14	
16	90267-48018	.RIVET, BLIND (4.8X18.6 BLACK)	42	42	42	42	
17	90201-04325	.WASHER, PLATE	3	3	3	3	
18	98907-06016	.SCREW, BIND	4	4	4	4	
19	8AT-77527-01	.PLATE, BACK UP	2	2	2	2	
20	8AT-23818-00	.COVER, STEERING	1	1	1	1	
21	8AT-77526-00	.WASHER 2	1	1	1	1	
22	90267-40029	.RIVET, BLIND (4X18 BLACK)	7	7	7	7	
23	8M6-2198F-00	.COVER 1	1	1	1	1	
24	8M6-21998-00	.SPACER	1	1	1	1	
25	90201-043H5	.WASHER, PLATE	3	3	3	3	



8ACL100-G150

FIG. 15 FRAME

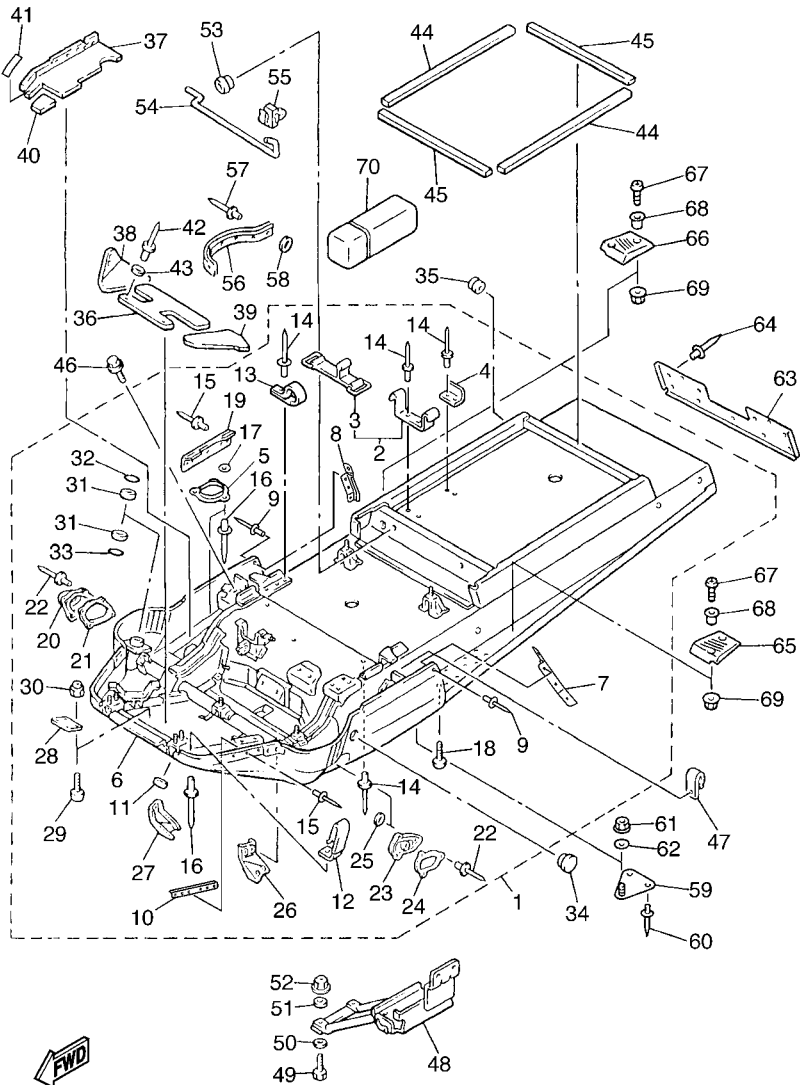
REF. NO.	PART NO.	DESCRIPTION	CAN	EUR	RUS	JPN	REMARKS
26	8AT-2194Y-00	.BRACKET, FRONT GUARD 3	1	1	1	1	
27	8AT-2195Y-00	.BRACKET, FRONT GUARD 4	1	1	1	1	
28	89X-21917-00	.PANEL, SUB FRAME 6	2	2	2	2	
29	98907-05014	.SCREW, BIND	8	8	8	8	
30	95707-05300	.NUT, FLANGE	8	8	8	8	
31	90384-36134	.BUSH, BIMETAL FORMED	4	4	4	4	
32	93102-36232	.OIL SEAL	2	2	2	2	
33	93103-36117	.OIL SEAL	2	2	2	2	
34	90338-44093	PLUG	3	3	3	3	
35	90480-15061	GROMMET	1	1	1	1	
36	8AT-77271-00	DAMPER, NOISE 11	1	1	1	1	
37	8AC-77272-00	DAMPER, NOISE 12	1	1	1	1	
38	8AT-77273-10	DAMPER, NOISE 13	1	1	1	1	
39	8AT-77274-00	DAMPER, NOISE 14	1	1	1	1	
40	8AT-77275-00	DAMPER, NOISE 15	1	1	1	1	
41	8CR-77165-00	TRIM 1	1	1	1	1	
42	90267-48018	RIVET, BLIND (4.8X18.6 BLACK)	2	2	2	2	
43	90201-04325	WASHER, PLATE	2	2	2	2	
44	83R-7717E-00	TAPE 1	2	2	2	2	
45	83R-7717F-00	TAPE 2	2	2	2	2	
46	95807-06012	BOLT, FLANGE	4	4	4	4	
47	90465-08125	CLAMP	1	1	1	1	
48	8AT-2199G-01	BRACKET, BATTERY	1	1	1	1	
49	97027-06025	BOLT, HEXAGON	2	2	2	2	
50	90201-06778	WASHER, PLATE	2	2	2	2	
51	90201-063A5	WASHER, PLATE	2	2	2	2	
52	95707-06300	NUT, NYLON	2	2	2	2	



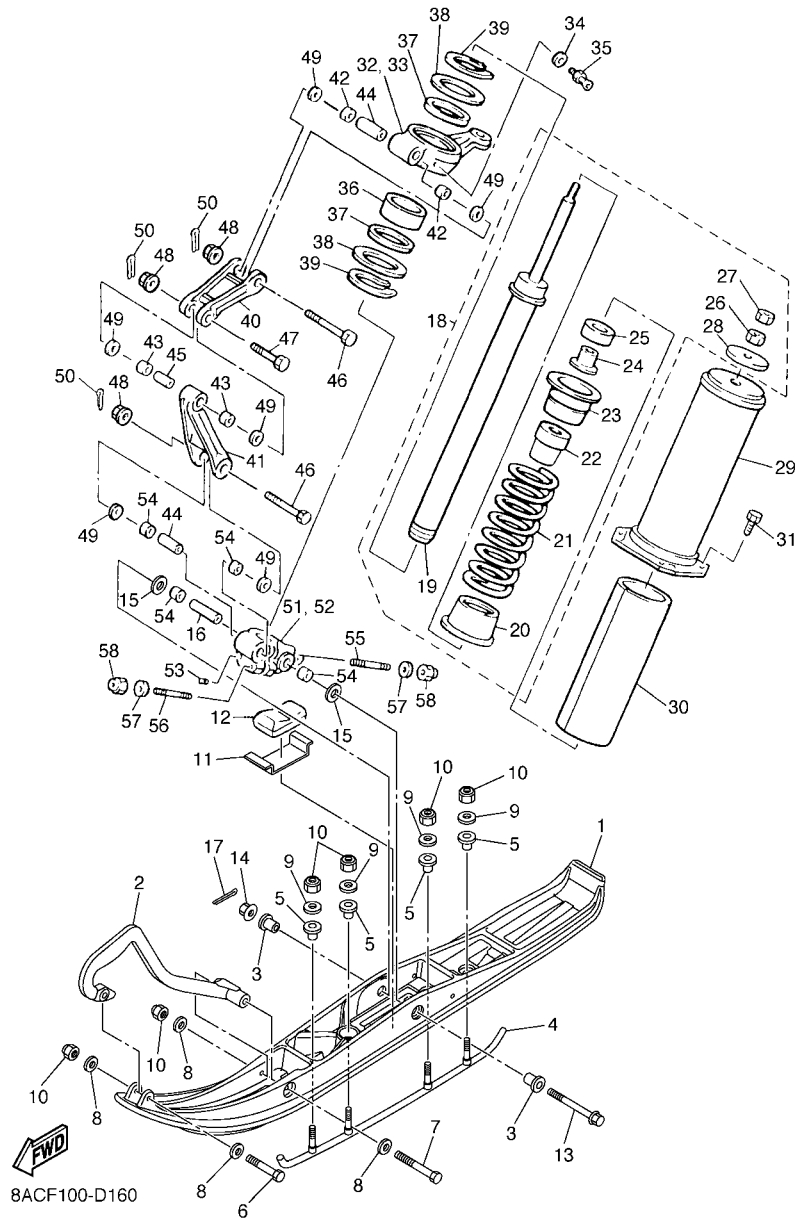
8ACL100-G150

FIG. 15 FRAME

REF. NO.	PART NO.	DESCRIPTION	CAN	EUR	RUS	JPN	REMARKS
53	90480-10348	GROMMET	1	1	1	1	
54	85R-2471A-00	STAY, SEAT	1	1	1	1	
55	85R-2639F-00	HOLDER 2	1	1	1	1	
56	8AT-2196T-00	TRIM 1	2	2	2	2	
57	90267-40172	RIVET, BLIND (4X19)	12	12	12	12	
58	90201-042E0	WASHER, PLATE	12	12	12	12	
59	8AC-2198G-00	COVER 2	1	1	1	1	
60	90267-47186	RIVET, BLIND (4.7X16.4 BLACK)	2	2	2	2	
61	95707-06300	NUT, NYLON	1	1	1	1	
62	90201-067A0	WASHER, PLATE	1	1	1	1	
63	8AC-21933-00	REINFORCEMENT, FRAME REAR 2	1	1	1	1	
64	90267-47186	RIVET, BLIND (4.7X16.4 BLACK)	6	6	6	6	
65	88T-27431-10	FOOTREST, REAR 1	1	1	1	1	
66	88T-27441-10	FOOTREST, REAR 2	1	1	1	1	
67	98907-06025	SCREW, BIND	4	4	4	4	
68	90387-063E6	COLLAR	4	4	4	4	
69	95707-06500	NUT, FLANGE	4	4	4	4	
70	85L-28100-00	TOOL KIT	1	1	1	1	



8ACL100-G150



8ACF100-D160

FIG. 16 SKI

REF. NO.	PART NO.	DESCRIPTION	CAN	EUR	RUS	JPN	REMARKS
1	8AC-23711-00	SKI 1	2	2	2	2	
2	8DM-23712-00	REINFORCEMENT, HEAD	2	2	2	2	
3	8AC-23754-00	COLLAR, 1	4	4	4	4	
4	8EN-23731-01	RUNNER 1	2	2	2	2	
5	8EK-23751-00	BUSH, SKI 1	8	8	8	8	
6	97027-08055	BOLT, HEXAGON	2	2	2	2	
7	97027-08100	BOLT, HEXAGON	2	2	2	2	
8	90201-08784	WASHER, PLATE	8	8	8	8	
9	90201-086P8	WASHER, PLATE	8	8	8	8	
10	95707-08300	NUT, NYLON	12	12	12	12	
11	8AC-23765-00	STOPPER	2	2	2	2	
12	88T-23743-00	STOPPER 1	2	2	2	2	
13	90105-10106	BOLT, FLANGE	2	2	2	2	
14	95607-10200	NUT, U FLANGE	2	2	2	2	
15	90201-100S7	WASHER, PLATE	4	4	4	4	
16	90387-106J3	COLLAR	2	2	2	2	
17	91401-20020	PIN, COTTER	2	2	2	2	
18	8AC-2376A-00	ABSORBER ASSY 1	2	2	2	2	
19	8AT-22401-00	.DAMPER SUB ASSY	1	1	1	1	
20	82M-23777-00	.SEAT, SPRING 2	1	1	1	1	
21	90501-75612	.SPRING, COMPRESSION	1	1	1	1	
22	89L-22493-00	.BUMP, STOP	1	1	1	1	
23	8L0-23788-00	.PLATE, BACK UP	1	1	1	1	
24	90387-084R1	.COLLAR	1	1	1	1	
25	82M-23779-00	.WASHER	1	1	1	1	
26	90170-08220	.NUT	1	1	1	1	
27	95307-08600	.NUT	1	1	1	1	

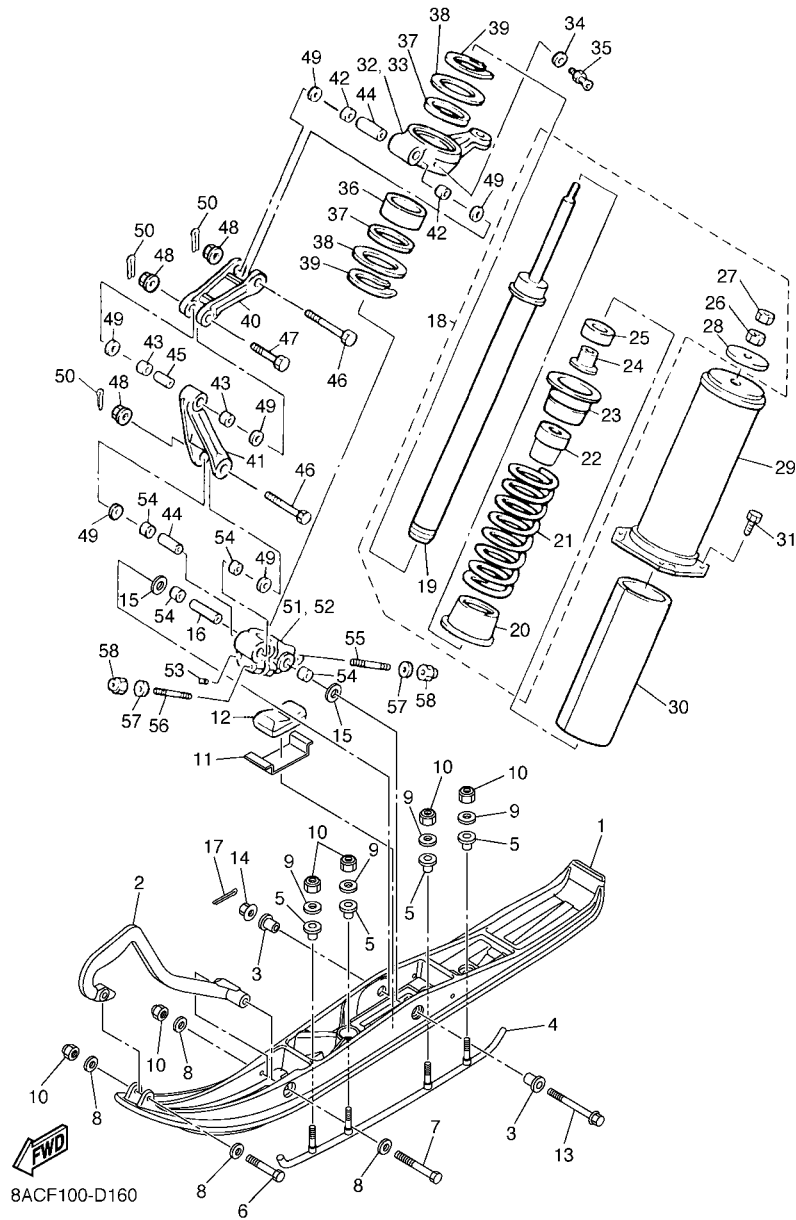


FIG. 16 SKI

REF. NO.	PART NO.	DESCRIPTION	CAN	EUR	RUS	JPN	REMARKS
28	90201-080L1	.WASHER, PLATE	1	1	1	1	
29	8AT-2376J-00	HOLDER, ABSORBER	2	2	2	2	
30	8L0-2376R-00	PROTECTOR	2	2	2	2	
31	97027-06020	BOLT, HEXAGON	8	8	8	8	
32	82M-23851-00	ARM, OUTSIDE 1 (L,H)	1	1	1	1	
33	8AT-23852-00	ARM, OUTSIDE 2	1	1	1	1	
34	90201-067F9	WASHER, PLATE	2	2	2	2	
35	93700-06004	NIPPLE, GREASE	2	2	2	2	
36	90384-53175	BUSH, BIMETAL FORMED	2	2	2	2	
37	93109-53036	OIL SEAL	4	4	4	4	
38	90201-536A1	WASHER, PLATE (T=1.0)	4	4	4	4	UR UN
	90201-535H6	WASHER, PLATE (T=2.0)	4	4	4	4	UR UN
39	93410-52061	CIRCLIP	4	4	4	4	
40	8L0-2382E-01	ARM, FRONT 1	2	2	2	2	
41	8L0-2382F-00	ARM, FRONT 2	2	2	2	2	
42	90384-14091	BUSH, BIMETAL FORMED	4	4	4	4	
43	90384-14096	BUSH, BIMETAL FORMED	4	4	4	4	
44	90387-101Y9	COLLAR	4	4	4	4	
45	90387-100A4	COLLAR	2	2	2	2	
46	90102-10039	BOLT, WITH HOLE	4	4	4	4	
47	90102-10067	BOLT, WITH HOLE	2	2	2	2	
48	95707-10300	NUT, FLANGE	6	6	6	6	
49	90202-14037	WASHER, PLATE	12	12	12	12	
50	91401-20020	PIN, COTTER	6	6	6	6	
51	84M-2376E-00	BRACKET 1	1	1	1	1	(L,H)
52	84M-2377E-00	BRACKET 2	1	1	1	1	(R,H)
53	90113-06039	BOLT, SET	2	2	2	2	

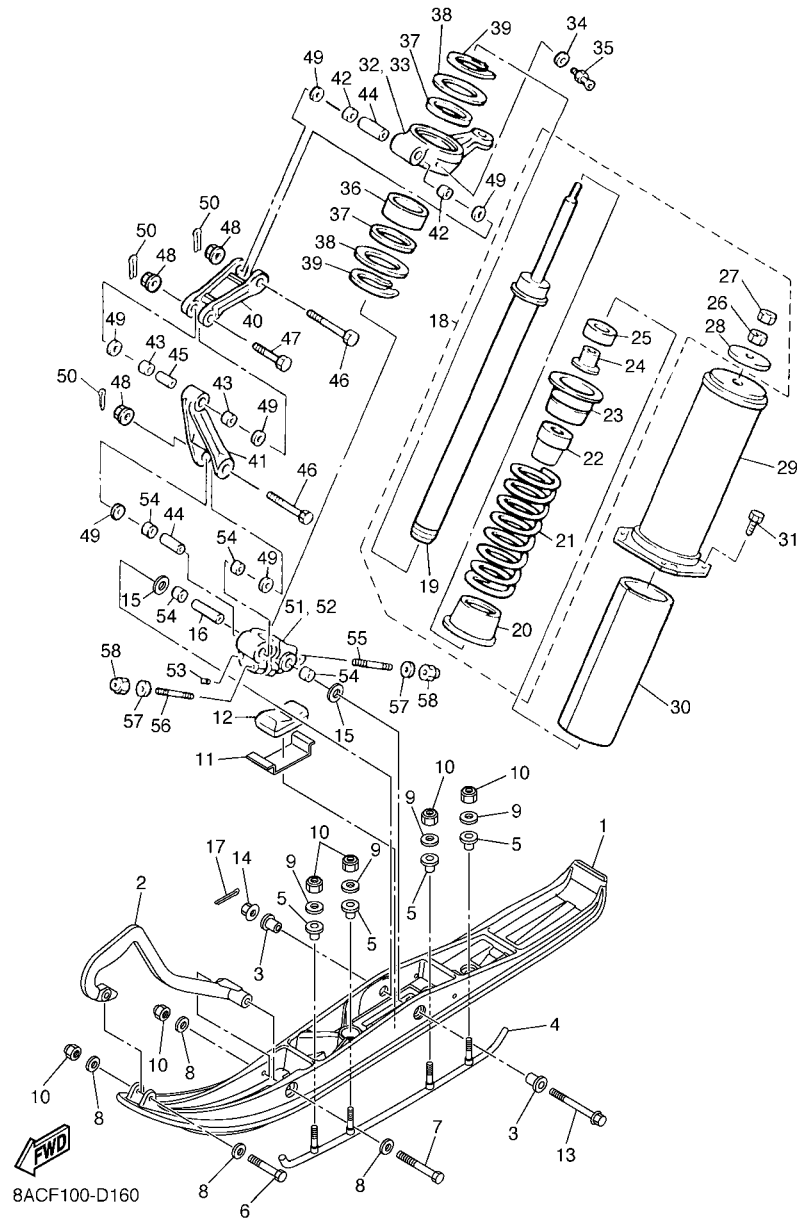
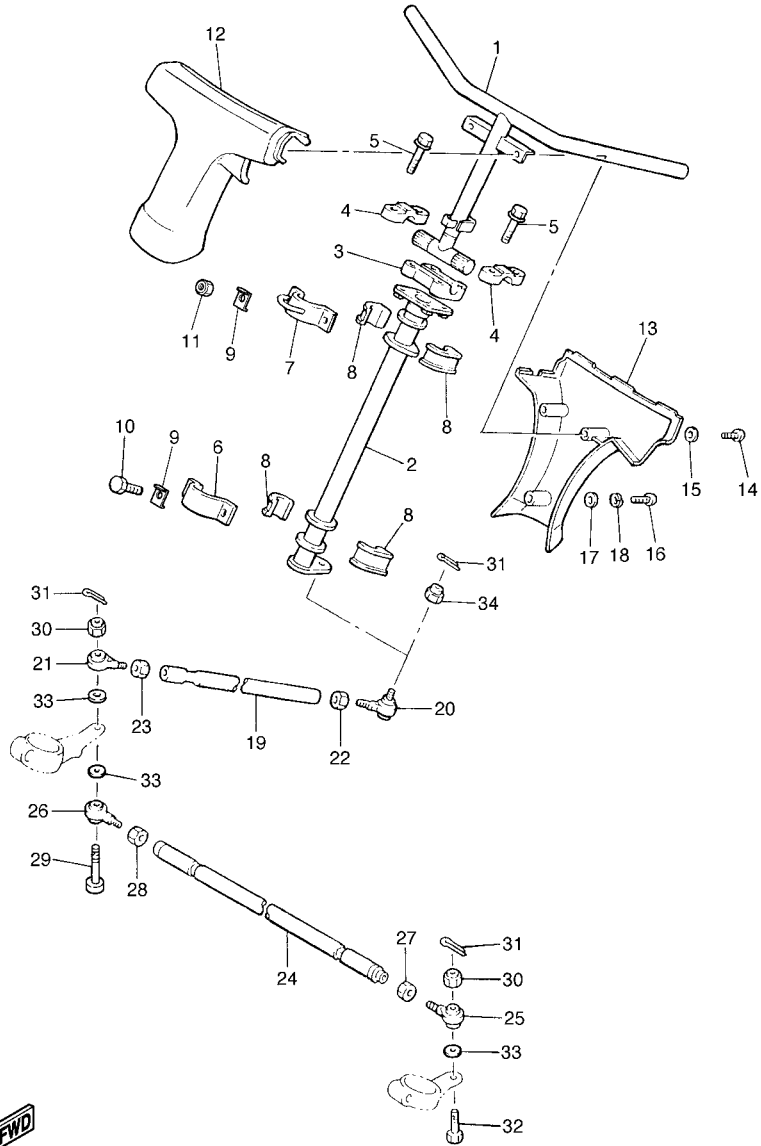


FIG. 16 SKI

REF. NO.	PART NO.	DESCRIPTION	CAN	EUR	RUS	JPN	REMARKS
54	90384-14091	BUSH, BIMETAL FORMED	8	8	8	8	
55	95617-08655	BOLT, STUD	2	2	2	2	
56	95617-08640	BOLT, STUD	2	2	2	2	
57	92907-08600	WASHER, PLATE	4	4	4	4	
58	95707-08300	NUT, NYLON	4	4	4	4	



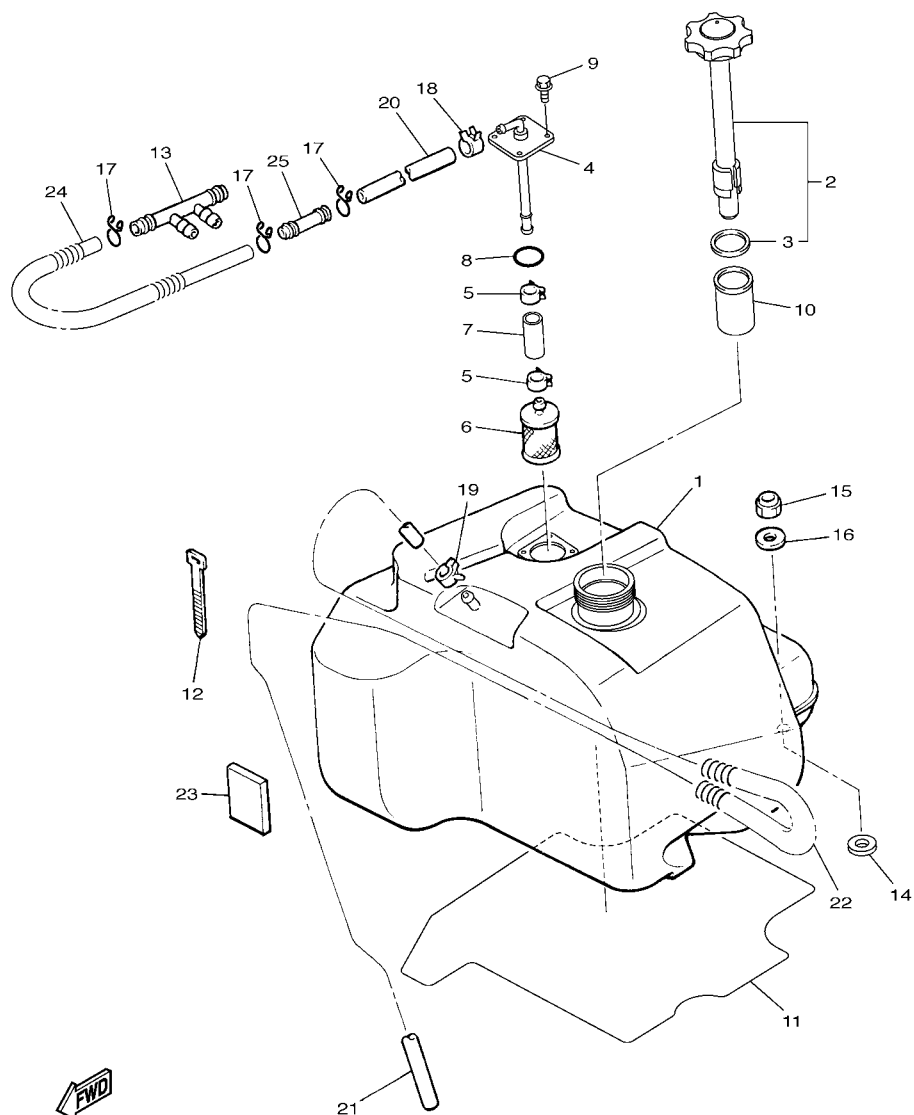
8ACF100-D170

FIG. 17 STEERING

REF. NO.	PART NO.	DESCRIPTION	CAN	EUR	RUS	JPN	REMARKS
1	8AU-23811-10	COLUMN, STEERING	1	1	1	1	
2	8AT-23813-01	COLUMN, STEERING 2	1	1	1	1	
3	8G5-23814-00	HOLDER,HANDLE UNDER	1	1	1	1	
4	8K1-23814-00	HOLDER, HANDLE	2	2	2	2	
5	95827-08055	BOLT, FLANGE	4	4	4	4	
6	84M-23868-00	BRACKET, STEERING LOWER	1	1	1	1	
7	84M-23872-00	HOLDER, BEARING	1	1	1	1	
8	8F3-23812-00	PLANE BEARING, STEERING	4	4	4	4	
9	8AC-23894-01	WASHER, LOCK 1	4	4	4	4	
10	90101-08005	BOLT	2	2	2	2	
11	90185-08054	NUT, SELF-LOCKING	2	2	2	2	
12	8W9-23815-00	PAD, STEERING	1	1	1	1	
13	8W9-23817-00	PAD, STEERING	1	1	1	1	
14	98507-05030	SCREW, PAN HEAD	2	2	2	2	
15	92907-05600	WASHER, PLATE	2	2	2	2	
16	98507-05008	SCREW, PAN HEAD	1	1	1	1	
17	92907-05200	WASHER	1	1	1	1	
18	92907-05100	WASHER, SPRING	1	1	1	1	
19	8AT-23821-00	ROD, STEERING RELAY	1	1	1	1	
20	86X-23841-00	JOINT, UNIVERSAL 1	1	1	1	1	
21	87S-23847-01	JOINT, UNIVERSAL 3	1	1	1	1	(L.H. THREAD)
22	95307-10700	NUT	1	1	1	1	
23	90170-10186	NUT	1	1	1	1	(L.H. THREAD)
24	8AT-23831-00	ROD, TIE	1	1	1	1	
25	87S-23845-01	JOINT, UNIVERSAL 2	1	1	1	1	
26	87S-23847-01	JOINT, UNIVERSAL 3	1	1	1	1	(L.H. THREAD)
27	95307-10700	NUT	1	1	1	1	

FIG. 19 FUEL TANK 1

REF. NO.	PART NO.	DESCRIPTION	CAN	EUR	RUS	JPN	REMARKS
1	8AC-24111-10	TANK, FUEL	1				
2	8AC-24610-00	CAP ASSY	1				
3	8CW-24612-00	.PACKING, CAP	1				
4	8AC-24301-00	SUCTION PIPE COMP. 1	1				
5	90467-11032	CLIP	2				
6	J58-24560-00	FILTER ASSY	1				
7	8AC-24335-00	PIPE, SUCTION 1	1				
8	93210-41041	O-RING	1				
9	90119-05005	BOLT, WITH WASHER	4				
10	8FP-24114-00	TUBE, FILLER	1				
11	8AC-24181-00	DAMPER, LOCATING 1	1				
12	341-26397-01	BAND	5				
13	82M-24376-00	PIPE, JOINT 1	1				
14	90201-08050	WASHER, PLATE	2				
15	95707-08300	NUT, NYLON	2				
16	90201-08784	WASHER, PLATE	2				
17	90467-11009	CLIP	3				
18	90467-11032	CLIP	1				
19	90467-09026	CLIP	1				
20	90445-11069	HOSE	1				
21	91A20-05145	TUBE, FLEXIBLE VINYL	1				
22	81E-24328-00	PROTECTOR, PIPE	1				
23	8V0-23858-00	SPACER	1				
24	90445-11068	HOSE	1				
25	878-24379-00	PIPE, JOINT 4	1				



8ACN171-H190

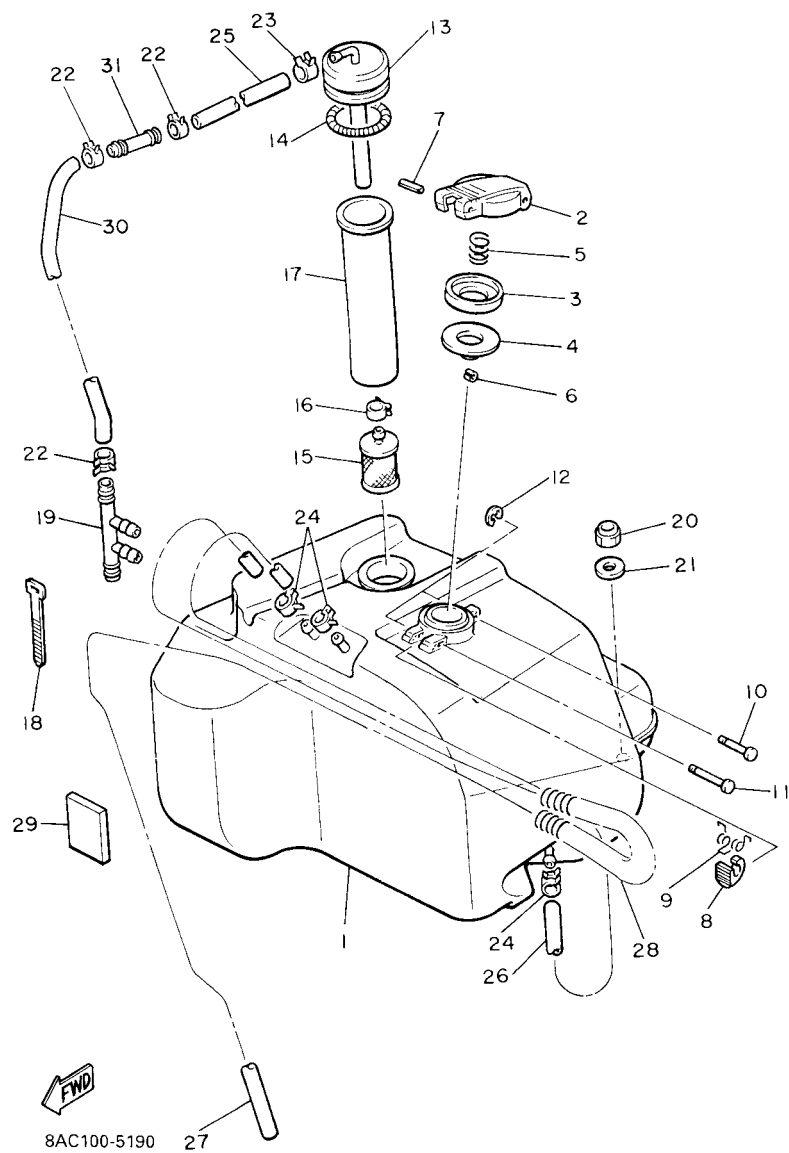


FIG. 20 FUEL TANK 2

REF. NO.	PART NO.	DESCRIPTION	CAN	EUR	RUS	JPN	REMARKS
1	83R-24111-00	TANK, FUEL		1	1	1	
2	8W6-24611-00	BODY, CAP		1	1	1	
3	813-24613-01	DISC, CAP		1	1	1	
4	8F7-24641-00	GASKET, CAP 1		1	1	1	
5	90501-20130	SPRING, COMPRESSION		1	1	1	
6	91609-30016	PIN, SPRING		1	1	1	
7	91609-25050	PIN, SPRING		1	1	1	
8	83M-24628-00	HOOK		1	1	1	
9	90508-10715	SPRING, TORSION		1	1	1	
10	90249-03175	PIN		1	1	1	
11	90249-03017	PIN		1	1	1	
12	93430-02001	CIRCLIP		2	2	2	
13	83R-24335-00	PIPE, SUCTION 1		1	1	1	
14	90506-06065	SPRING, TENSION		1	1	1	
15	8H5-24560-00	FILTER ASSY		1	1	1	
16	90467-11032	CLIP		1	1	1	
17	813-24336-00	PIPE, SUCTION 2		1	1	1	
18	341-26397-01	BAND		5	5	5	
19	82M-24376-00	PIPE, JOINT 1		1	1	1	
20	95707-08300	NUT, NYLON		2	2	2	
21	90201-08784	WASHER, PLATE		2	2	2	
22	90467-11009	CLIP		3	3	3	
23	90467-11032	CLIP		1	1	1	
24	90467-09026	CLIP		3	3	3	
25	90445-115K6	HOSE (L390)		1	1	1	
26	90445-095F1	HOSE (L650)		1	1		
	91A20-05065	TUBE, FLEXIBLE VINYL				1	

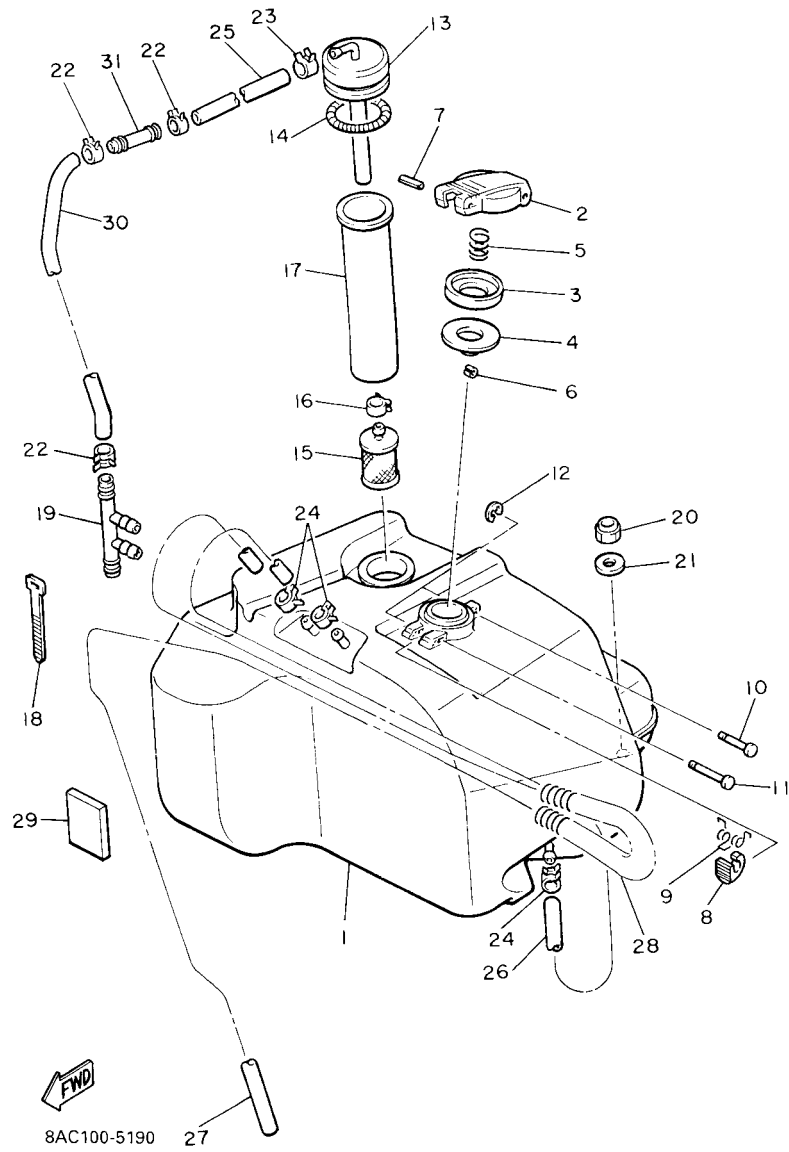
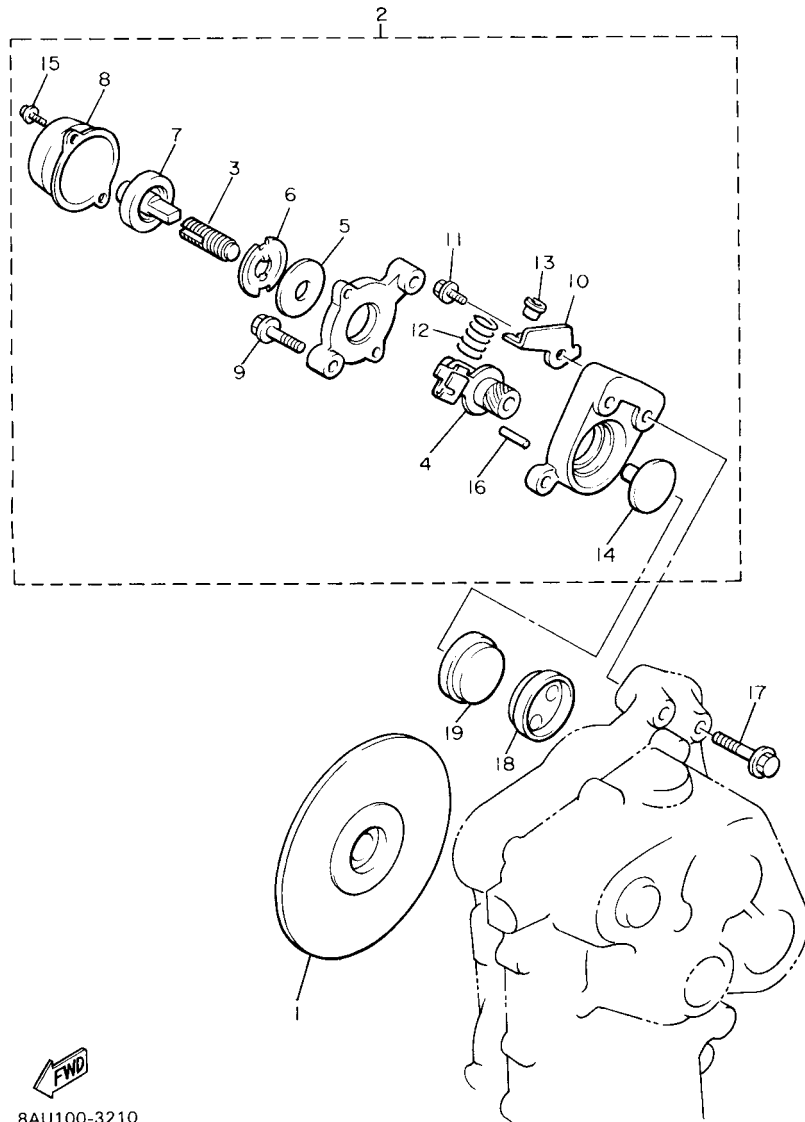


FIG. 20 FUEL TANK 2

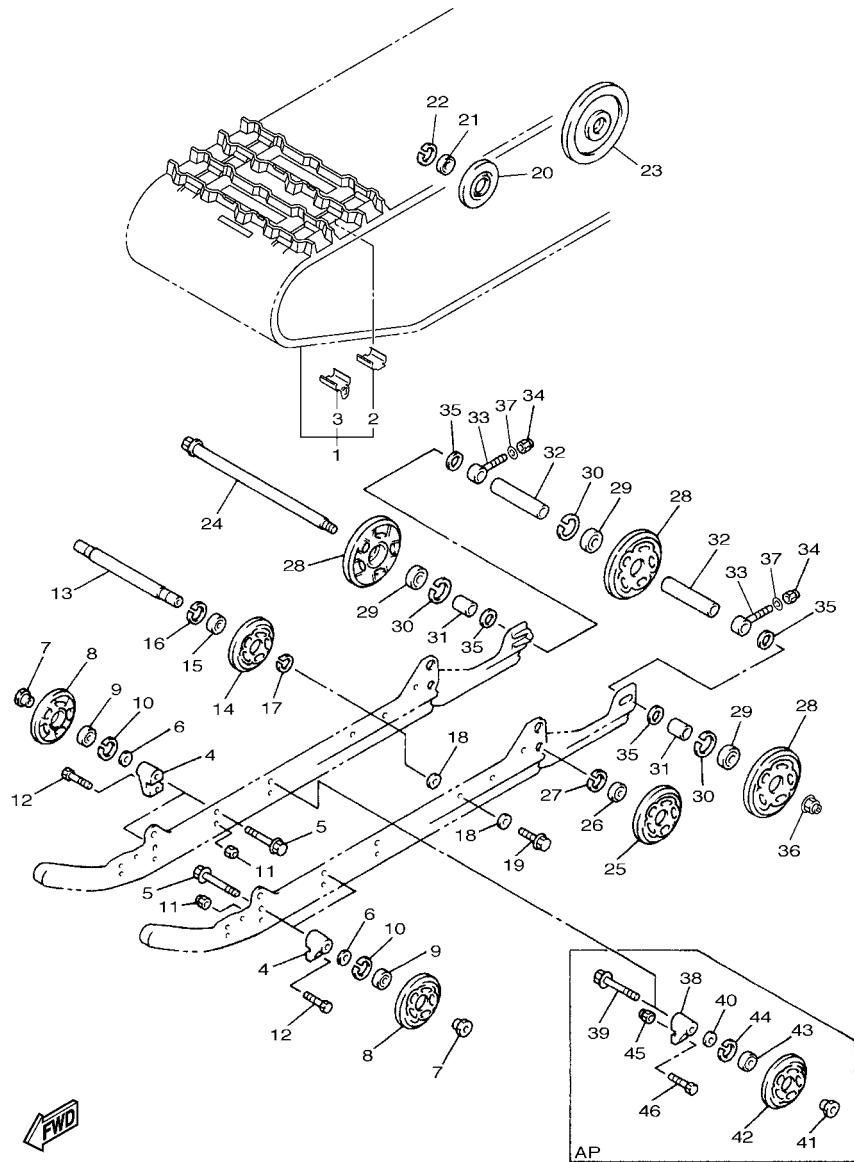
REF. NO.	PART NO.	DESCRIPTION	CAN	EUR	RUS	JPN	REMARKS
27	91A20-05145	TUBE, FLEXIBLE VINYL		1	1	1	
28	81E-24328-00	PROTECTOR, PIPE		1	1	1	
29	8V0-23858-00	SPACER		1	1	1	
30	90445-114J9	HOSE (L265)		1	1	1	
31	878-24379-00	PIPE, JOINT 4		1	1	1	



8AU100-3210

FIG. 22 BRAKE

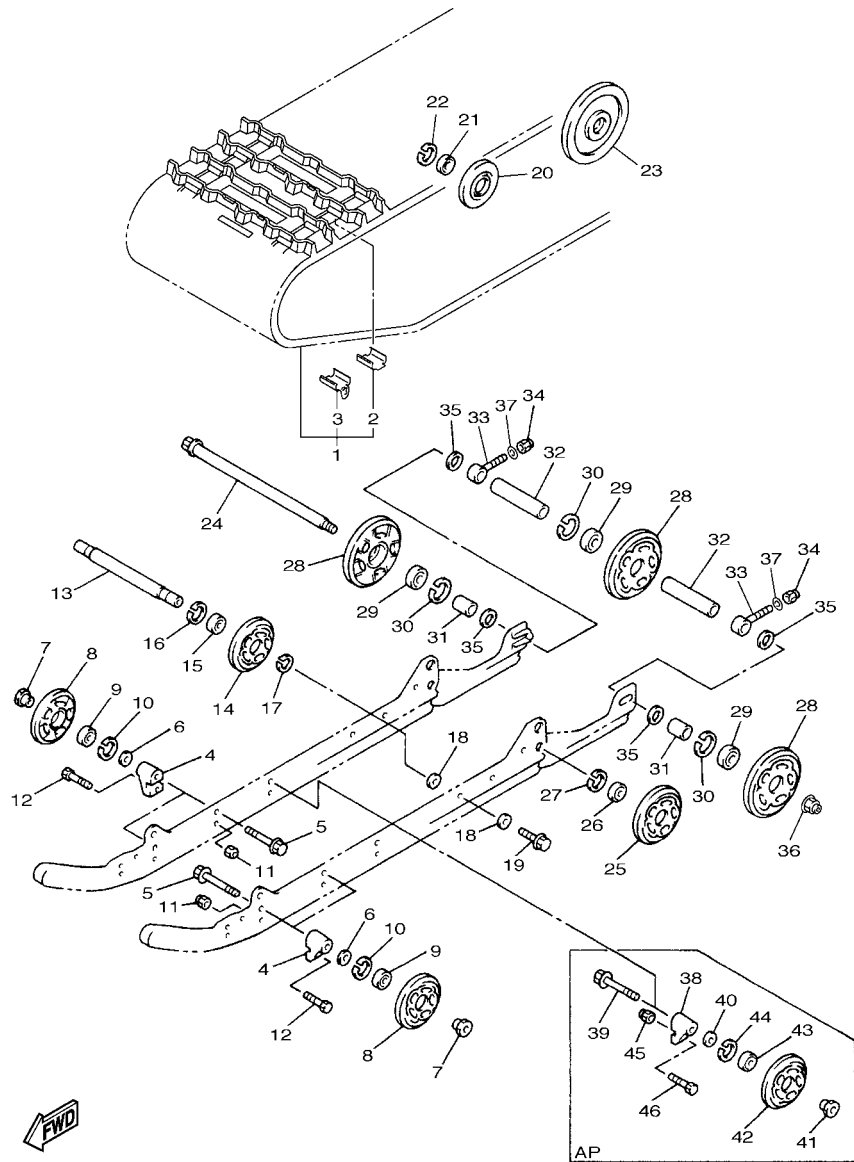
REF. NO.	PART NO.	DESCRIPTION	CAN	EUR	RUS	JPN	REMARKS
1	83R-25831-00	DISC, BRAKE (RIGHT)	1	1	1	1	
2	87R-25730-01	CALIPER BODY COMP.1	1	1	1	1	
3	86M-25738-00	.SCREW, ADJUSTING 1	1	1	1	1	
4	87R-25726-01	.LEVER, BRAKE	1	1	1	1	
5	86M-25827-00	.SHIM, CALIPER	1	1	1	1	
6	86M-25773-00	.LOCK, ONE WAY 2	1	1	1	1	
7	86M-25771-00	.RATCHET, ADJUSTING	1	1	1	1	
8	86M-25772-00	.COVER	1	1	1	1	
9	86M-25818-00	.BOLT, CALIPER	2	2	2	2	
10	87R-25721-00	.BRACKET, CALIPER	1	1	1	1	
11	86M-25826-00	.BOLT 3	1	1	1	1	
12	87R-25743-00	.SPRING	1	1	1	1	
13	87R-25722-00	.BRACKET, ADJUSTING	1	1	1	1	
14	86M-25733-00	.PLATE, BACK UP	1	1	1	1	
15	86M-25833-00	.BOLT, FITTING	2	2	2	2	
16	86M-25744-00	.PIN 2	1	1	1	1	
17	95827-10050	BOLT, FLANGE	2	2	2	2	
18	89J-25811-00	PAD, CALIPER 2	1	1	1	1	
19	89J-25911-00	PAD, CALIPER 2	1	1	1	1	



8ACT100-K240

FIG. 24 TRACK SUSPENSION 1

REF. NO.	PART NO.	DESCRIPTION	CAN	EUR	RUS	JPN	REMARKS
1	8AC-47110-10	TRACK ASSY	1	1	1	1	
2	8AC-47113-09	.PLATE, REINFORCEMENT	62	62	62	62	
3	8AC-47115-09	.METAL, SLIDE	62	62	62	62	
4	8CM-47419-10	BRACKET 7	4	4	4	4	
5	90105-10769	BOLT, FLANGE	4	4	4	4	
6	90201-100L3	WASHER, PLATE	4	4	4	4	
7	90179-10670	NUT	4	4	4	4	
8	87M-47320-00	SUSPENSION WHEEL COMP.	4	4	4	4	
9	93306-00444	BEARING	4	4	4	4	
10	99009-42500	CIRCLIP	4	4	4	4	
11	95607-08200	NUT, SELF-LOCKING	4	4	4	4	
12	90101-08774	BOLT	4	4	4	4	
13	8AT-47486-00	SHAFT 4	1	1	1	1	
14	87M-47320-00	SUSPENSION WHEEL COMP.	2	2	2	2	
15	93306-00444	BEARING	2	2	2	2	
16	99009-42500	CIRCLIP	2	2	2	2	
17	99009-20400	CIRCLIP	2	2	2	2	
18	90201-100L3	WASHER, PLATE	4	4	4	4	
19	90105-10433	BOLT, FLANGE	2	2	2	2	
20	8AC-47320-00	SUSPENSION WHEEL COMP.	2	2	2	2	
21	93306-00444	BEARING	2	2	2	2	
22	99009-42500	CIRCLIP	2	2	2	2	
23	8AC-47550-00	GUIDE WHEEL ASSY	2	2	2	2	
24	83R-47520-10	REAR AXLE COMP.	1	1	1	1	
25	8U7-47320-00	SUSPENSION WHEEL COMP.	2	2	2	2	
26	93306-00444	BEARING	2	2	2	2	
27	99009-42500	CIRCLIP	2	2	2	2	



8ACT100-K240

FIG. 24 TRACK SUSPENSION 1

REF. NO.	PART NO.	DESCRIPTION	CAN	EUR	RUS	JPN	REMARKS
28	8K2-47530-00	GUIDE WHEEL COMP.	3	3	3	3	
29	93306-20469	BEARING	3	3	3	3	
30	99009-47500	CIRCLIP	3	3	3	3	
31	90387-200U9	COLLAR	2	2	2	2	
32	90387-205T6	COLLAR	2	2	2	2	
33	8DM-47479-00	COLLAR 3	2	2	2	2	
34	95707-10300	NUT, FLANGE	2	2	2	2	
35	90201-205R6	WASHER, PLATE	4	4	4	4	
36	95607-14200	NUT, SELF-LOCKING	1	1	1	1	
37	92907-10600	WASHER, PLATE	2	2	2	2	
38	8CM-47419-10	BRACKET 7	2	2	2	2	AP
39	90105-10029	BOLT, FLANGE	2	2	2	2	AP
40	90201-100L3	WASHER, PLATE	2	2	2	2	AP
41	90179-10670	NUT	2	2	2	2	AP
42	87M-47320-00	SUSPENSION WHEEL COMP.	2	2	2	2	AP
43	93306-00444	BEARING	2	2	2	2	AP
44	99009-42500	CIRCLIP	2	2	2	2	AP
45	95607-08200	NUT, SELF-LOCKING	2	2	2	2	AP
46	90101-08774	BOLT	2	2	2	2	AP

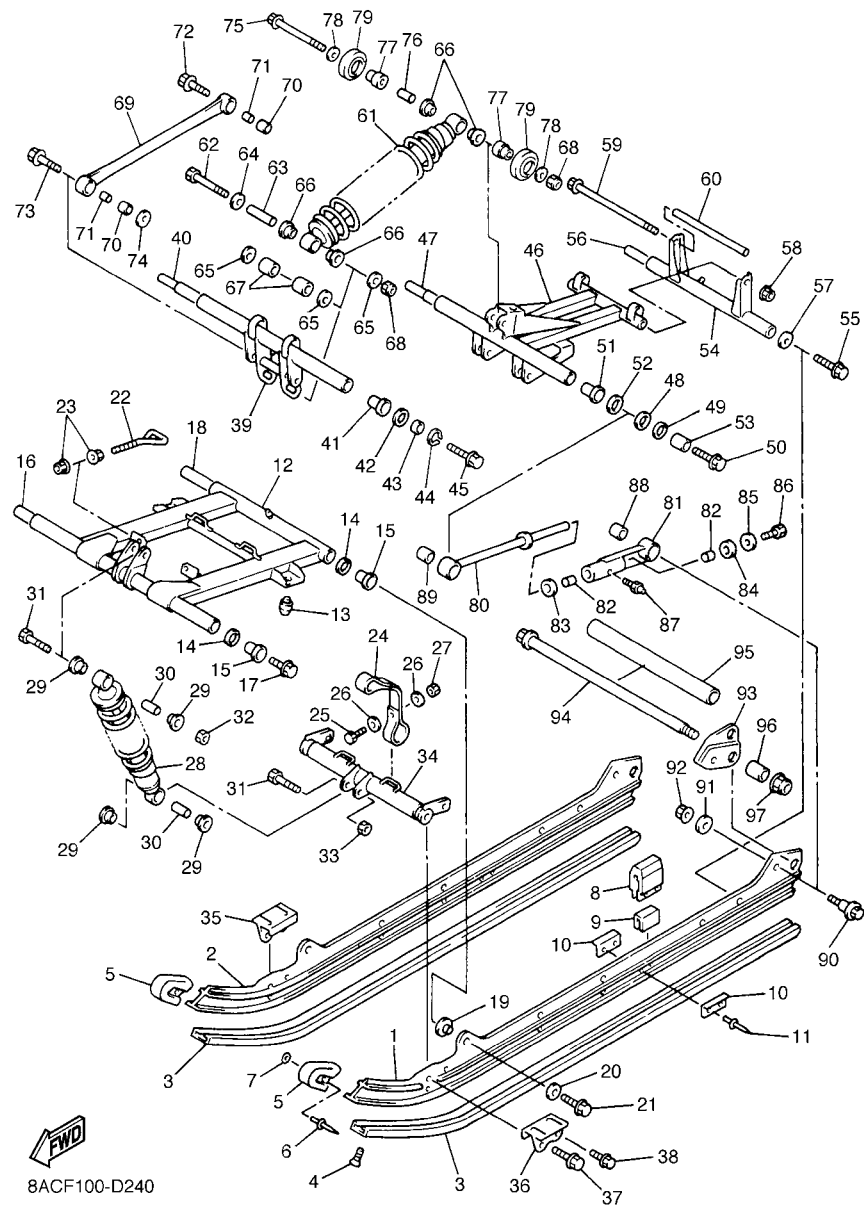


FIG. 25 TRACK SUSPENSION 2

REF. NO.	PART NO.	DESCRIPTION	CAN	EUR	RUS	JPN	REMARKS
1	8AC-47411-10	FRAME, SLIDING 1	1	1	1	1	
2	8AC-47414-10	FRAME, SLIDING 4	1	1	1	1	
3	8AC-47421-00	RUNNER, SLIDING 1	2	2	2	2	
4	90151-06010	SCREW, COUNTERSUNK	2	2	2	2	
5	8ED-47422-00	RUNNER, SLIDING 2	2	2	2	2	
6	90267-48194	RIVET, BLIND (4.8X28 SILVER)	2	2	2	2	
7	90201-047R8	WASHER, PLATE	2	2	2	2	
8	8AC-47457-00	DAMPER 2	2	2	2	2	
9	8AC-47341-00	SPACER	2	2	2	2	
10	8AX-47458-00	PLATE, DAMPER	4	4	4	4	
11	90267-48199	RIVET, BLIND (4.8X28.3)	4	4	4	4	
12	8AC-47331-00	ARM, PIVOT 1	1	1	1	1	
13	83M-21488-00	DAMPER	2	2	2	2	
14	90201-210U0	WASHER, PLATE	4	4	4	4	
15	90381-19111	BUSH, SOLID	4	4	4	4	
16	8AC-47465-00	SHAFT 1	1	1	1	1	
17	90105-103A1	BOLT, FLANGE	2	2	2	2	
18	83R-47485-02	SHAFT 3	1	1	1	1	
19	90387-105G6	COLLAR	2	2	2	2	
20	90201-100L3	WASHER, PLATE	2	2	2	2	
21	90105-10433	BOLT, FLANGE	2	2	2	2	
22	8CR-47448-00	HOOK 3	2	2	2	2	
23	95707-08500	NUT, FLANGE	4	4	4	4	
24	8CV-47495-00	STOPPER 1	2	2	2	2	
25	97007-06025	BOLT	4	4	4	4	
26	90201-06747	WASHER, PLATE	8	8	8	8	
27	95707-06300	NUT, NYLON	4	4	4	4	

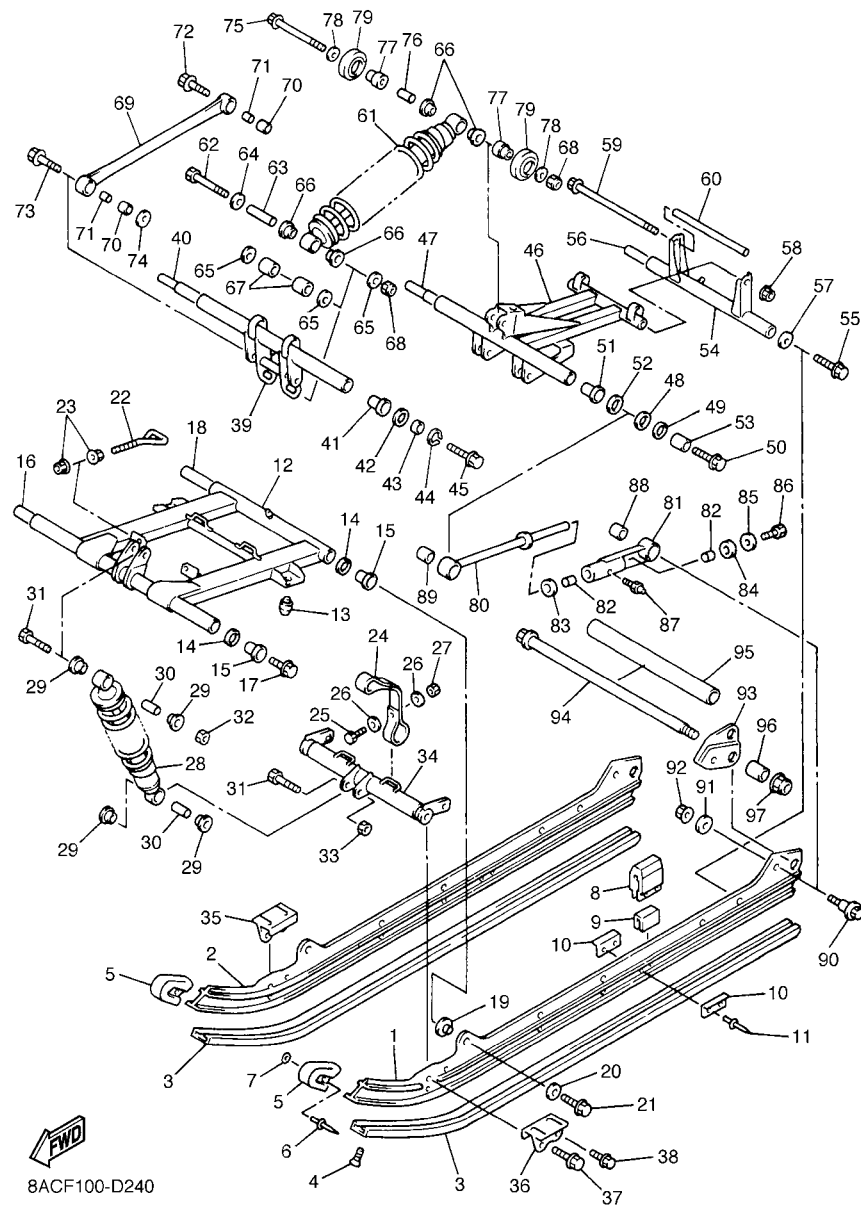


FIG. 25 TRACK SUSPENSION 2

REF. NO.	PART NO.	DESCRIPTION	CAN	EUR	RUS	JPN	REMARKS
28	8AC-47481-00	SHOCK ABSORBER 2	1	1	1	1	
29	90381-14101	BUSH, SOLID	4	4	4	4	
30	90387-105G5	COLLAR	2	2	2	2	
31	90101-10738	BOLT	2	2	2	2	
32	90185-10110	NUT, SELF-LOCKING	1	1	1	1	
33	95607-10100	NUT, U	1	1	1	1	
34	8AC-47418-00	BRACKET 4	1	1	1	1	
35	8DF-47463-01	BRACKET 5	1	1	1	1	
36	8DF-47464-01	BRACKET 6	1	1	1	1	
37	90105-10433	BOLT, FLANGE	2	2	2	2	
38	90105-08450	BOLT, FLANGE	2	2	2	2	
39	8AC-47416-01	BRACKET 2	1	1	1	1	
40	8AC-47488-10	SHAFT 6	1	1	1	1	
41	90381-22099	BUSH, SOLID	2	2	2	2	
42	90201-207J5	WASHER, PLATE	2	2	2	2	
43	90387-2004V	COLLAR	2	2	2	2	
44	99009-20400	CIRCLIP	2	2	2	2	
45	90105-103A1	BOLT, FLANGE	2	2	2	2	
46	8AC-47332-00	ARM, PIVOT 2	1	1	1	1	
47	8AC-47475-00	SHAFT 2	1	1	1	1	
48	90201-266L1	WASHER, PLATE	2	2	2	2	
49	90201-250T6	WASHER, PLATE	2	2	2	2	
50	90105-10433	BOLT, FLANGE	2	2	2	2	
51	90381-28108	BUSH, SOLID	2	2	2	2	
52	90201-286K9	WASHER, PLATE (T1.0)	2	2	2	2	
53	90387-2515E	COLLAR	2	2	2	2	
54	8AC-47417-00	BRACKET 3	1	1	1	1	

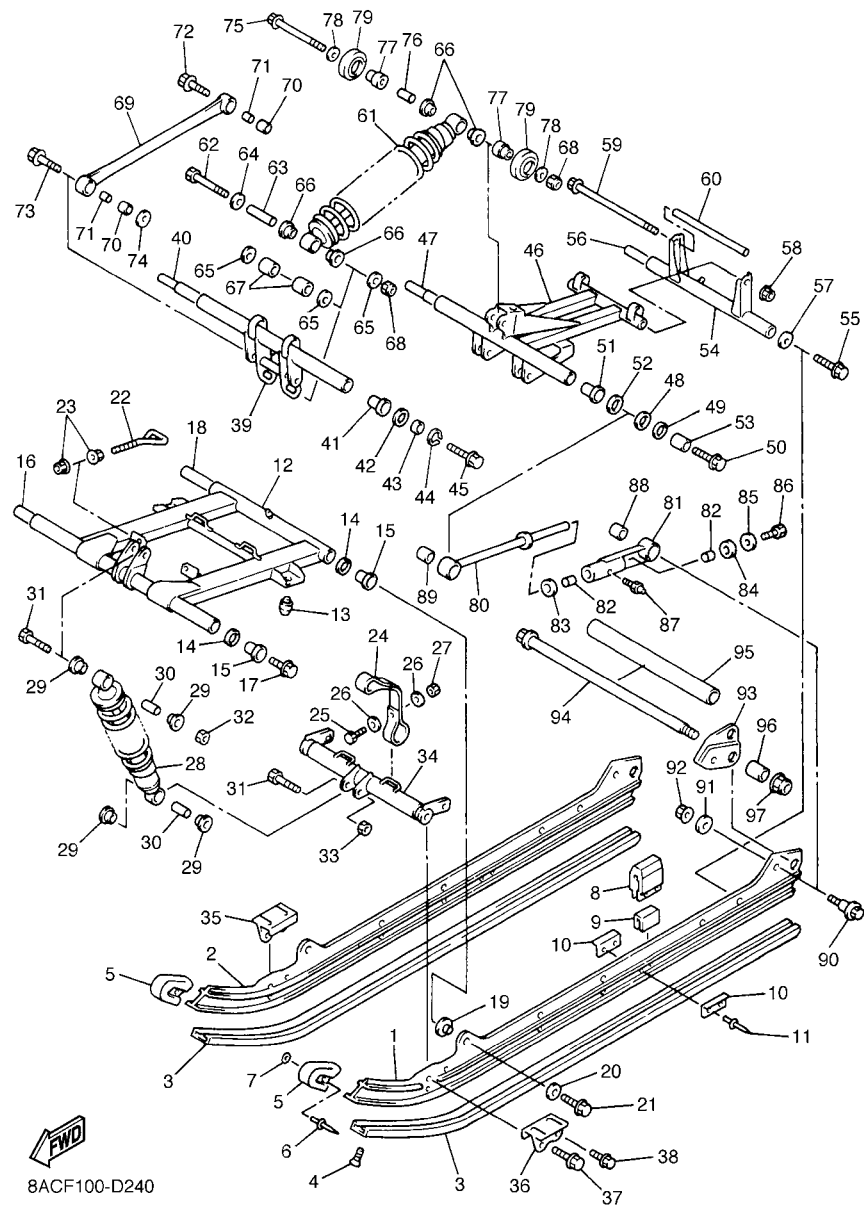
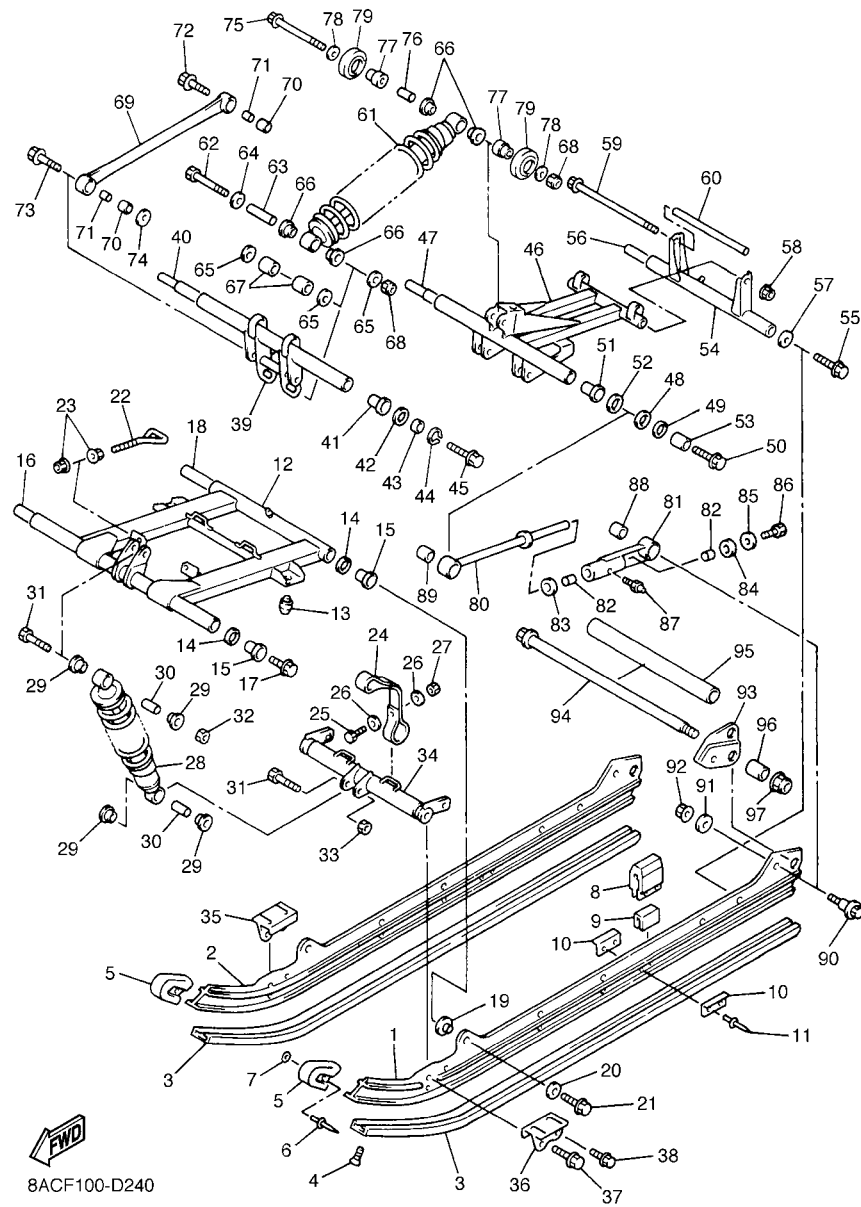


FIG. 25 TRACK SUSPENSION 2

REF. NO.	PART NO.	DESCRIPTION	CAN	EUR	RUS	JPN	REMARKS
55	90105-10433	BOLT, FLANGE	2	2	2	2	
56	83R-47485-02	SHAFT 3	1	1	1	1	
57	90201-10136	WASHER, PLATE	2	2	2	2	
58	95607-08200	NUT, SELF-LOCKING	1	1	1	1	
59	95827-08220	BOLT, FLANGE	1	1	1	1	
60	90387-083G6	COLLAR	1	1	1	1	
61	8AC-47480-30	SHOCK ABSORBER	1				
	8AC-47480-40	SHOCK ABSORBER		1	1		
	8AC-47480-50	SHOCK ABSORBER				1	
62	8AC-4631K-00	BOLT, ADJUSTING	1	1	1	1	
63	90387-1009S	COLLAR	1	1	1	1	
64	90201-103U4	WASHER, PLATE	1	1	1	1	
65	90201-100U1	WASHER, PLATE	3	3	3	3	
66	90381-14101	BUSH, SOLID	4	4	4	4	
67	90387-1404R	COLLAR	2	2	2	2	
68	95607-10100	NUT, U	2	2	2	2	
69	8CR-47494-01	ROD, RELAY	2	2	2	2	
70	90381-14109	BUSH, SOLID	4	4	4	4	
71	90387-100X3	COLLAR	4	4	4	4	
72	90105-10739	BOLT, FLANGE	2	2	2	2	
73	90105-10436	BOLT, FLANGE	2	2	2	2	
74	90201-100U1	WASHER, PLATE	2	2	2	2	
75	90105-10105	BOLT, FLANGE	1	1	1	1	
76	90387-105G5	COLLAR	1	1	1	1	
77	8AC-47366-00	COLLAR 2	2	2	2	2	
78	90201-10136	WASHER, PLATE	2	2	2	2	
79	8AC-47310-10	SUSPENSION WHEEL ASSY	2	2	2	2	



8ACF100-D240

FIG. 25 TRACK SUSPENSION 2

REF. NO.	PART NO.	DESCRIPTION	CAN	EUR	RUS	JPN	REMARKS
80	8AC-4745A-10	ROD, CONTROL 1	2	2	2	2	
81	8CR-4745B-00	ROD, CONTROL 2	2	2	2	2	
82	90384-16251	BUSH, BIMETAL FORMED	4	4	4	4	
83	90202-16231	WASHER, PLATE	2	2	2	2	
84	90202-16232	WASHER, PLATE	2	2	2	2	
85	90201-106F2	WASHER, PLATE	2	2	2	2	
86	97027-10025	BOLT, HEXAGON	2	2	2	2	
87	93700-06004	NIPPLE, GREASE	2	2	2	2	
88	90380-22232	BUSH, SOLID	2	2	2	2	
89	90380-28235	BUSH, SOLID	2	2	2	2	
90	8DF-47367-00	SCREW, REAR PIVOT	2	2	2	2	
91	90201-101U2	WASHER, PLATE	2	2	2	2	
92	95607-10200	NUT, U FLANGE	2	2	2	2	
93	8AC-47349-00	BRACKET, ARM PIVOT	2	2	2	2	
94	83R-47520-10	REAR AXLE COMP.	1	1	1	1	
95	83R-47469-00	COLLAR 1	1	1	1	1	
96	90387-203H0	COLLAR	2	2	2	2	
97	95607-14200	NUT, SELF-LOCKING	1	1	1	1	

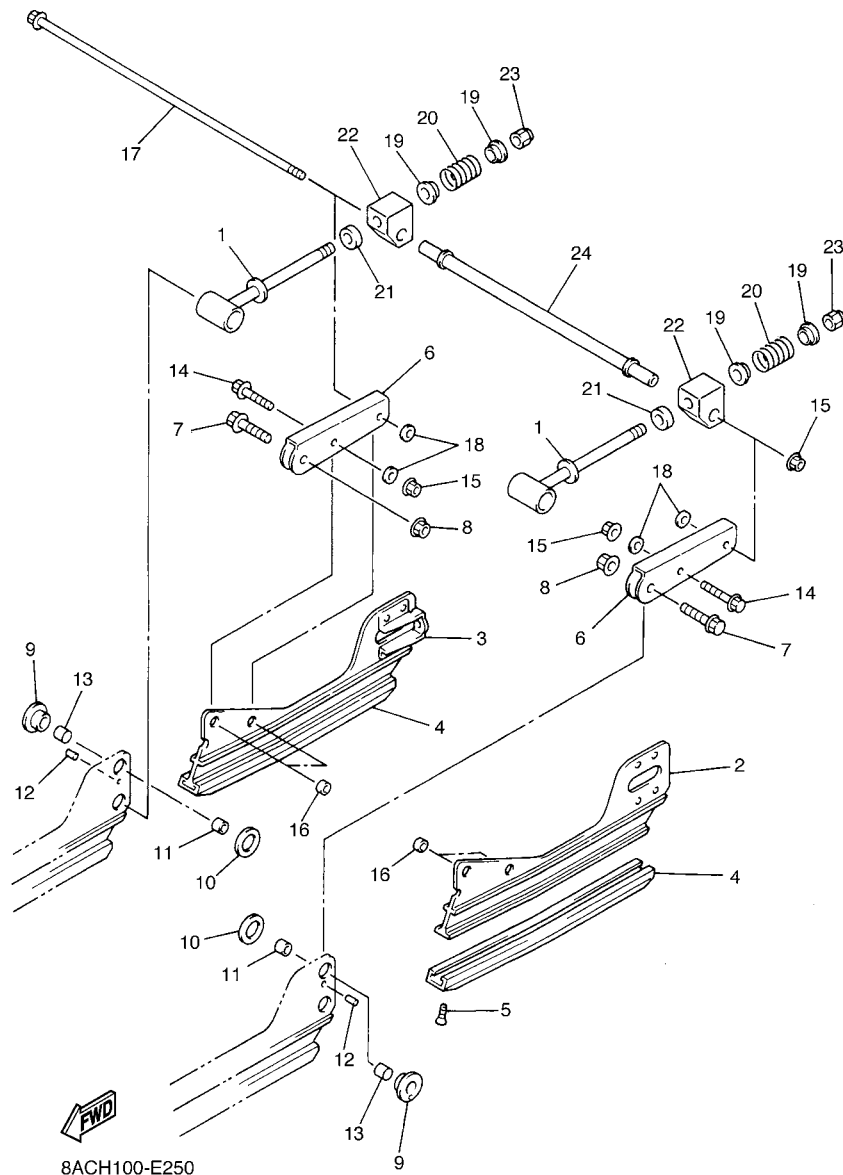
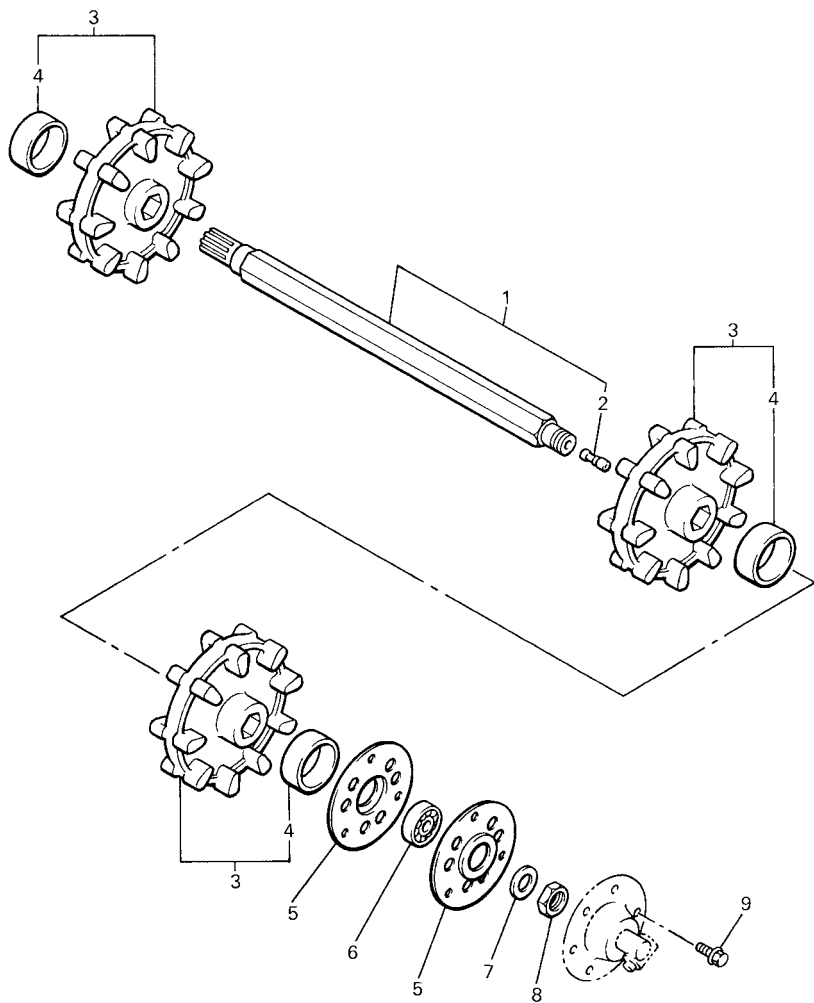


FIG. 26 TRACK SUSPENSION 3

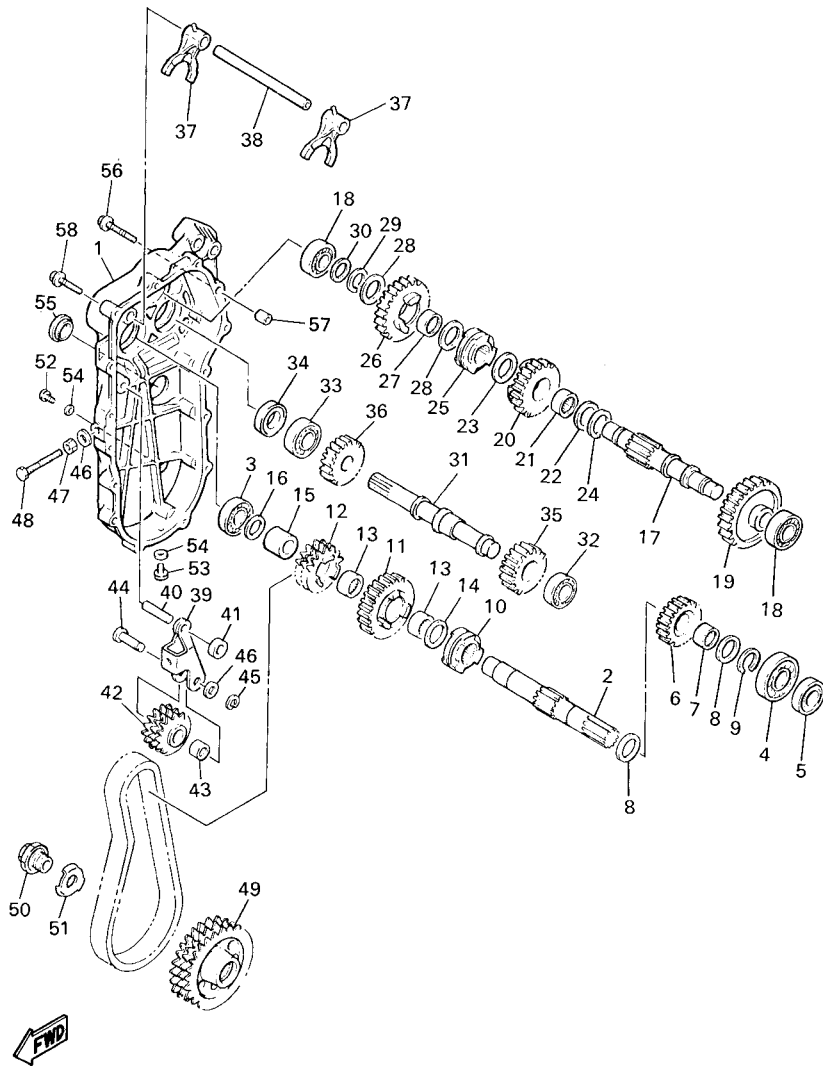
REF. NO.	PART NO.	DESCRIPTION	CAN	EUR	RUS	JPN	REMARKS
1	83R-47337-00	SHAFT, PIVOT	2	2	2	2	
2	8FM-W4741-10	FRAME, SLIDING	1	1	1	1	
3	8FM-W4741-10	FRAME, SLIDING	1	1	1	1	
4	8AC-47424-00	RUNNER, SLIDING 4	2	2	2	2	
5	90151-06010	SCREW, COUNTERSUNK	2	2	2	2	
6	8FM-47333-00	ARM, PIVOT 3	2	2	2	2	
7	95817-10030	BOLT, FLANGE	2	2	2	2	
8	90185-10115	NUT, SELF-LOCKING	2	2	2	2	
9	90387-1815A	COLLAR	2	2	2	2	
10	90202-22238	WASHER, PLATE	2	2	2	2	
11	90387-1014Y	COLLAR	2	2	2	2	
12	91609-30008	PIN, SPRING	2	2	2	2	
13	90380-16109	BUSH, SOLID	2	2	2	2	
14	95817-08035	BOLT, FLANGE	2	2	2	2	
15	95607-08200	NUT, SELF-LOCKING	3	3	3	3	
16	90387-082J1	COLLAR	4	4	4	4	
17	90105-08483	BOLT, FLANGE	1	1	1	1	
18	90201-08649	WASHER, PLATE	4	4	4	4	
19	83R-23768-00	SEAT, SPRING 1	4	4	4	4	
20	90501-407E4	SPRING, COMPRESSION	2	2	2	2	
21	83R-47335-00	SPRING	2	2	2	2	
22	83R-47446-00	HOOK 1	2	2	2	2	
23	95707-12300	NUT, FLANGE	2	2	2	2	
24	8AC-47478-00	COLLAR 2	1	1	1	1	

FIG. 27 TRACK DRIVE 1

REF. NO.	PART NO.	DESCRIPTION	CAN	EUR	RUS	JPN	REMARKS
1	83R-W4751-10	AXLE, FRONT	1	1	1	1	
2	8K4-47577-00	.CONNECTOR	1	1	1	1	
3	83R-W4753-01	WHEEL, SPROCKET 1	3	3	3	3	
4	90387-514Y2	.COLLAR	1	1	1	1	
5	83R-47551-00	HOUSING, FRONT AXLE	2	2	2	2	
6	93306-00507	BEARING	1	1	1	1	
7	90208-25045	WASHER, CONICAL SPRING	1	1	1	1	
8	90170-25367	NUT	1	1	1	1	
9	95827-08014	BOLT, FLANGE	3	3	3	3	
<hr/>							
<hr/>							
<hr/>							
<hr/>							
<hr/>							
<hr/>							
<hr/>							
<hr/>							
<hr/>							
<hr/>							



8AC3100-6280

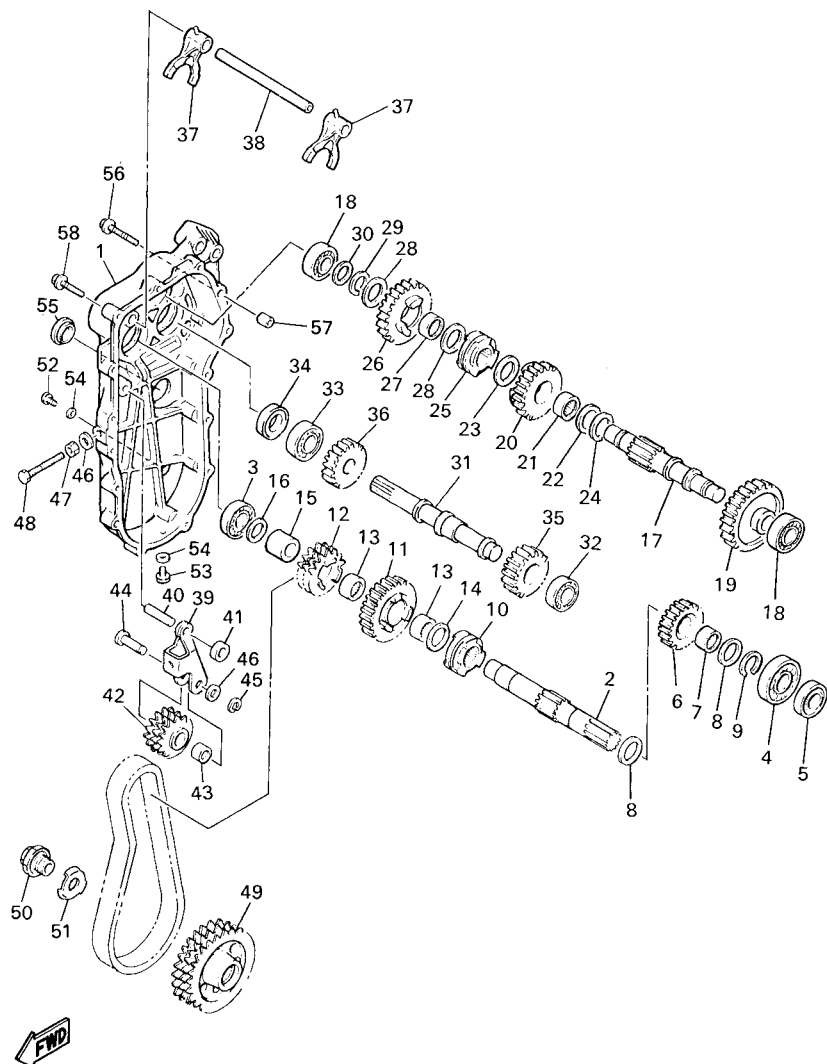


8AC6100-9270

FIG. 28 TRACK DRIVE 2

REF. NO.	PART NO.	DESCRIPTION	CAN	EUR	RUS	JPN	REMARKS
1	83R-47543-00	CAP, HOUSING	1	1	1	1	
2	85R-17421-00	AXLE, DRIVE	1	1	1	1	
3	93306-20402	BEARING	1	1	1	1	
4	93306-37206	BEARING	1	1	1	1	
5	93102-22014	OIL SEAL	1	1	1	1	
6	83R-17121-00	GEAR, 2ND PINION (22T)	1	1	1	1	
7	93311-42265	BEARING	1	1	1	1	
8	90201-224L4	WASHER, PLATE	2	2	2	2	
9	99009-22400	CIRCLIP	1	1	1	1	
10	83R-17492-10	DOG, TRANSMISSION SHIFT	1	1	1	1	
11	8AT-17131-00	GEAR, 3RD PINION (28T)	1	1	1	1	
12	83R-17682-00	SPROCKET, CHAIN DRIVE (17T)	1	1	1	1	
13	93317-32241	BEARING	2	2	2	2	
14	90201-224L4	WASHER, PLATE	1	1	1	1	
15	90387-226V7	COLLAR	1	1	1	1	
16	90201-20792	WASHER, PLATE	1	1	1	1	
17	83R-17431-00	AXLE, COUNTER	1	1	1	1	
18	93306-20321	BEARING	2	2	2	2	
19	8AT-17141-00	GEAR, 4TH PINION (28T)	1	1	1	1	
20	83R-17151-00	GEAR, 5TH PINION (22T)	1	1	1	1	
21	93317-32241	BEARING	1	1	1	1	
22	90201-224L4	WASHER, PLATE	1	1	1	1	
23	90201-225L2	WASHER, PLATE	1	1	1	1	
24	99009-22400	CIRCLIP	1	1	1	1	
25	83R-17492-10	DOG, TRANSMISSION SHIFT	1	1	1	1	
26	83R-17143-00	GEAR, REVERSE PINION 1 (27T)	1	1	1	1	
27	93317-22021	BEARING	1	1	1	1	

FIG. 28 TRACK DRIVE 2



8AC6100-9270

REF. NO.	PART NO.	DESCRIPTION	CAN	EUR	RUS	JPN	REMARKS
28	90201-20792	WASHER, PLATE	2	2	2	2	
29	99009-20400	CIRCLIP	1	1	1	1	
30	90201-171J5	WASHER, PLAIN	1	1	1	1	
31	83R-17432-01	AXLE, IDLE	1	1	1	1	
32	93306-20321	BEARING	1	1	1	1	
33	93306-20402	BEARING	1	1	1	1	
34	93102-20010	OIL SEAL	1	1	1	1	
35	83R-17243-00	GEAR, REVERSE WHEEL 1 (19T)	1	1	1	1	
36	83R-17153-00	GEAR, REVERSE PINION 2 (20T)	1	1	1	1	
37	83R-18511-00	FORK, SHIFT 1	2	2	2	2	
38	83R-18531-00	BAR, SHIFT FORK GUIDE 1	1	1	1	1	
39	83R-47613-00	HOLDER	1	1	1	1	
40	93612-44229	PIN, DOWEL	1	1	1	1	
41	90387-121E8	COLLAR	1	1	1	1	
42	83R-47612-00	WHEEL	1	1	1	1	
43	93315-21227	BEARING	1	1	1	1	
44	90249-12216	PIN	1	1	1	1	
45	99009-12400	CIRCLIP	1	1	1	1	
46	90210-10004	WASHER, SEAL	1	1	1	1	
47	95307-10700	NUT	1	1	1	1	
48	90101-10357	BOLT	1	1	1	1	
49	83R-47548-00	SPROCKET, CHAIN DRIVEN (22T)	1	1	1	1	
50	90105-27484	BOLT, FLANGE	1	1	1	1	
51	90215-39268	WASHER, LOCK	1	1	1	1	
52	97007-06010	BOLT	1	1	1	1	
53	98907-06008	SCREW, BIND	1	1	1	1	
54	90430-06016	GASKET	2	2	2	2	



8ACT100-K290

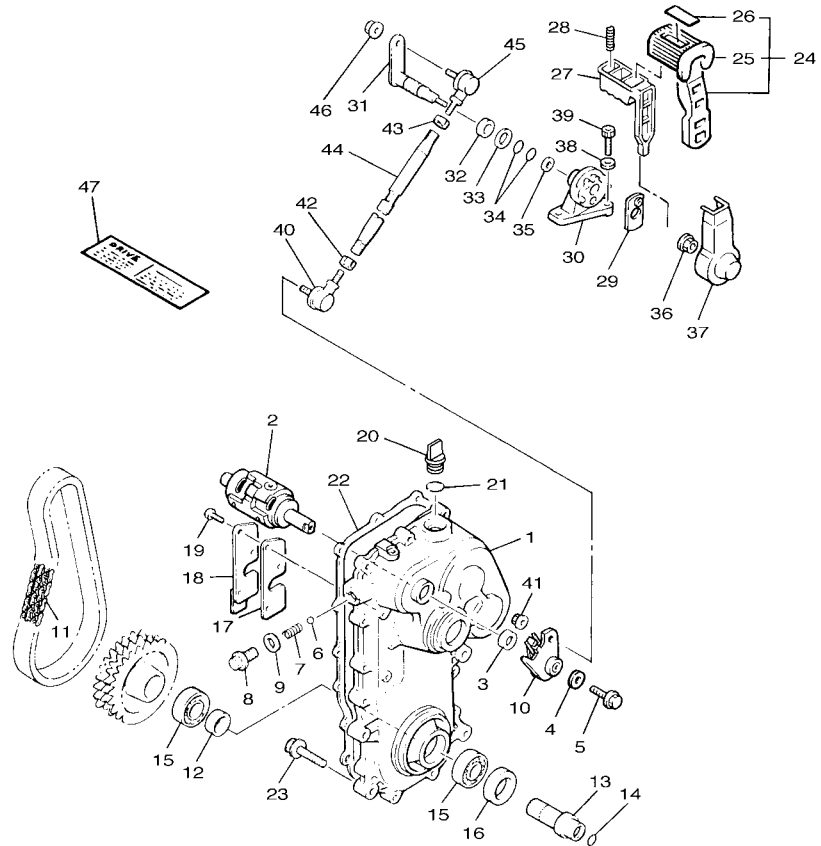
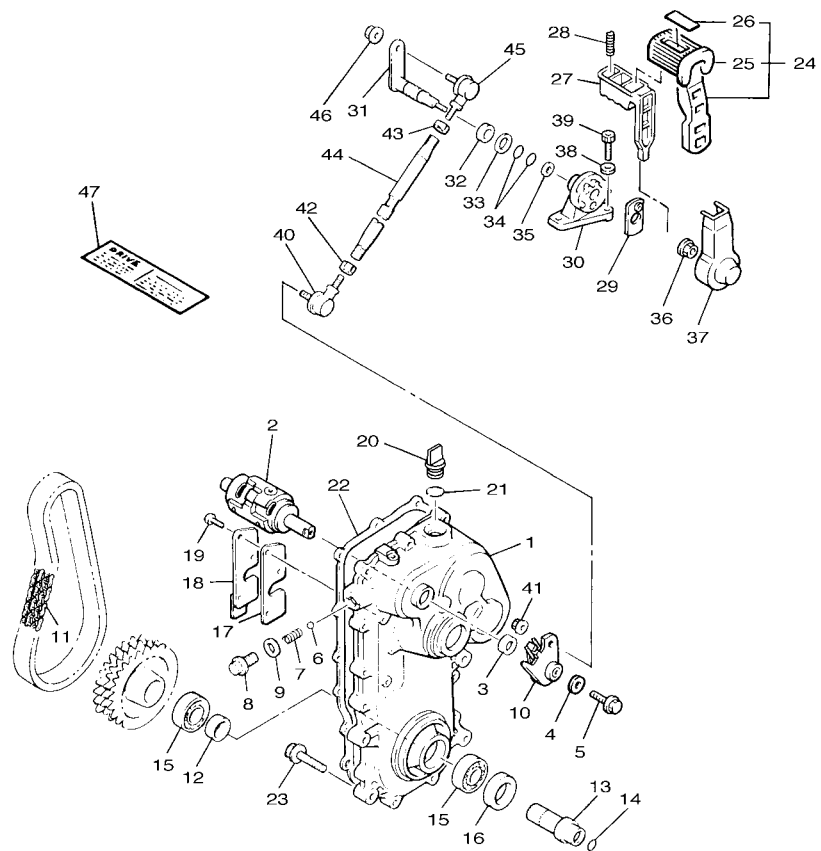


FIG. 29 TRACK DRIVE 3

REF. NO.	PART NO.	DESCRIPTION	CAN	EUR	RUS	JPN	REMARKS
1	87R-47541-00	HOUSING, CHAIN	1	1	1	1	
2	89N-18540-00	SHIFT CAM ASSY	1	1	1	1	
3	93102-15212	OIL SEAL	1	1	1	1	
4	90201-06072	WASHER, PLATE	1	1	1	1	
5	90105-06405	BOLT, FLANGE	1	1	1	1	
6	93503-08007	BALL	1	1	1	1	
7	90501-147A6	SPRING, COMPRESSION	1	1	1	1	
8	90105-14367	BOLT, FLANGE	1	1	1	1	
9	90430-14194	GASKET	1	1	1	1	
10	89N-18130-01	SHIFT SHAFT ASSY	1	1	1	1	
11	94880-06070	CHAIN (DID35P-3)	1	1	1	1	
12	90387-405T8	COLLAR	1	1	1	1	
13	83R-47571-00	JOURNAL 1	1	1	1	1	
14	93210-28763	O-RING	1	1	1	1	
15	93306-90802	BEARING	2	2	2	2	
16	93102-46394	OIL SEAL	1	1	1	1	
17	85R-47544-01	GASKET	1	1	1	1	
18	88N-47591-00	PLATE	1	1	1	1	
19	90154-06050	SCREW, BINDING	3	3	3	3	
20	3Y1-15363-10	PLUG, OIL	1	1	1	1	
21	93210-19123	O-RING	1	1	1	1	
22	85R-47592-00	GASKET	1	1	1	1	
23	95827-08040	BOLT, FLANGE	4	4	4	4	
24	83R-18150-00	SHIFT LEVER ASSY	1	1	1	1	
25	52G-18113-00	.COVER, SHIFT PEDAL	1	1	1	1	
26	83R-1815A-00	.LABEL	1	1	1	1	
27	59V-18174-00	KNOB, SHIFT LEVER	1	1	1	1	

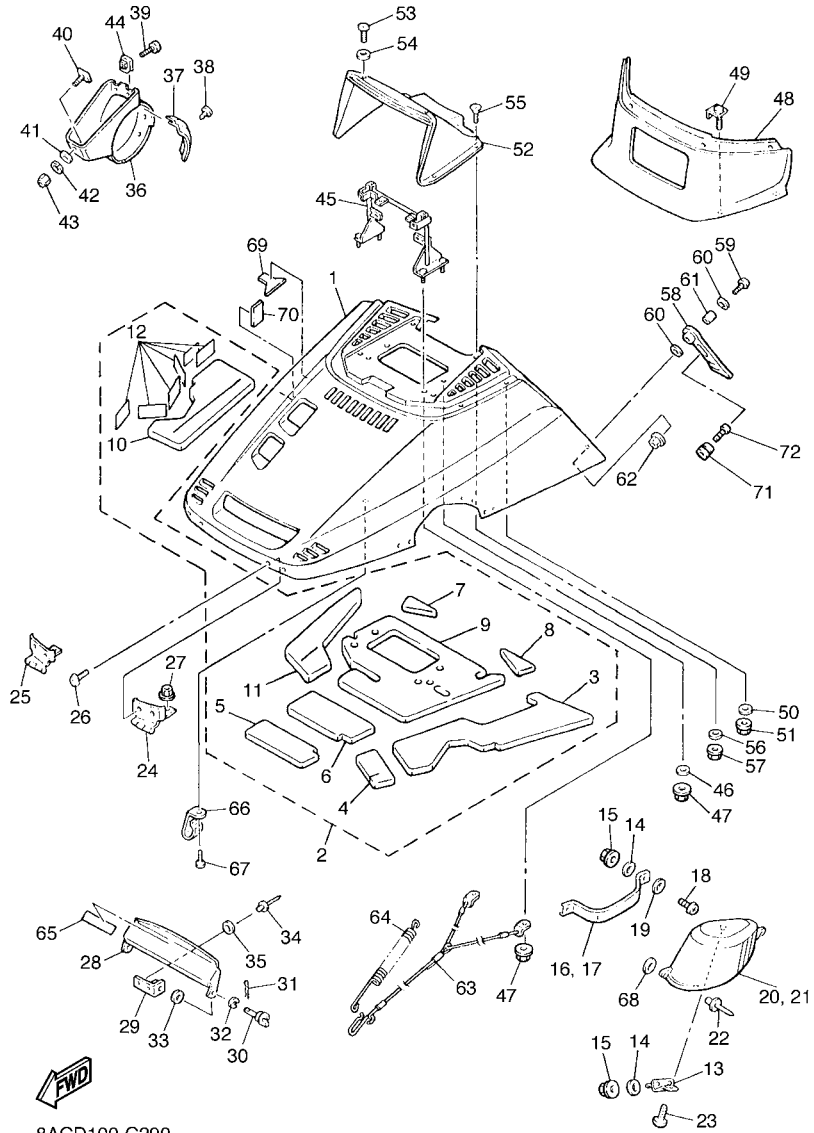
FIG. 29 TRACK DRIVE 3



REF. NO.	PART NO.	DESCRIPTION	CAN	EUR	RUS	JPN	REMARKS
28	90501-101A7	SPRING, COMPRESSION	1	1	1	1	
29	59V-18561-00	PLATE, SIDE 1	1	1	1	1	
30	83R-18153-00	GUIDE, SHIFT RETURN SPRING	1	1	1	1	
31	83R-18341-00	SHAFT, RINK	1	1	1	1	
32	90387-145T7	COLLAR	1	1	1	1	
33	90201-144J2	WASHER, PLATE	1	1	1	1	
34	93210-10010	O-RING	2	2	2	2	
35	90201-064J1	WASHER, PLATE	1	1	1	1	
36	95707-06500	NUT, FLANGE	1	1	1	1	
37	59V-18433-00	COVER, SHIFT SPRING	1	1	1	1	
38	92907-06600	WASHER, PLATE	3	3	3	3	
39	91317-06025	BOLT	3	3	3	3	
40	3X3-18157-10	JOINT 2	1	1	1	1	
41	95707-06500	NUT, FLANGE	1	1	1	1	
42	95317-08600	NUT	1	1	1	1	
43	90170-08261	NUT	1	1	1	1	
44	83R-18116-00	JOINT, ROD 1	1	1	1	1	
45	3X3-18156-10	JOINT 1	1	1	1	1	
46	95707-06500	NUT, FLANGE	1	1	1	1	
47	8AT-47578-00	LABEL 1	1	1	1		



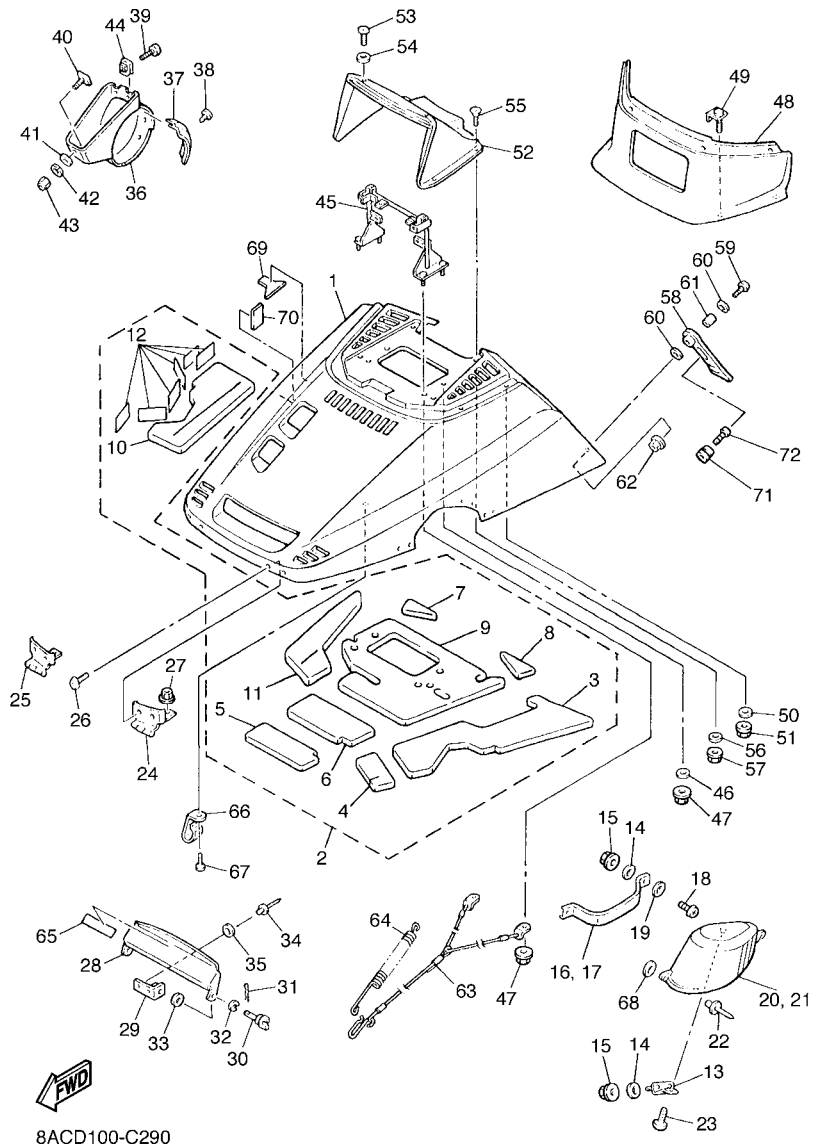
8ACT100-K290



8ACD100-C290

FIG. 30 SHROUD

REF. NO.	PART NO.	DESCRIPTION	CAN	EUR	RUS	JPN	REMARKS
1	8AC-77111-40	SHROUD	1	1	1	1	UR FOR SMX
	8AC-77111-50	SHROUD	1	1	1	1	UR FOR BWC1
2	8AT-W7726-00	LINING SET	1	1	1	1	
3	8AT-77261-00	.LINING, SHROUD 1	1	1	1	1	
4	8AT-77262-00	.LINING, SHROUD 2	1	1	1	1	
5	8AT-77263-00	.LINING, SHROUD 3	1	1	1	1	
6	8AT-77264-00	.LINING, SHROUD 4	1	1	1	1	
7	8AT-77265-00	.LINING, SHROUD 5	1	1	1	1	
8	8AT-77266-00	.LINING, SHROUD 6	1	1	1	1	
9	8AT-77267-00	.LINING, SHROUD 7	1	1	1	1	
10	8AT-77268-00	.LINING, SHROUD 8	1	1	1	1	
11	8AT-77269-00	.LINING, SHROUD 9	1	1	1	1	
12	82M-7717G-00	.TAPE 3	6	6	6	6	
13	8AT-77125-00	STAY 1	2	2	2	2	
14	92907-06200	WASHER	8	8	8	8	
15	95707-06300	NUT, NYLON	8	8	8	8	
16	8AT-77153-00	PLATE, BACK UP 1	1	1	1	1	
17	8AT-77154-00	PLATE, BACK UP 2	1	1	1	1	
18	98507-06020	SCREW, PAN HEAD	4	4	4	4	
19	92907-06600	WASHER, PLATE	4	4	4	4	
20	8AT-77121-00	HOOD 1	1	1	1	1	
21	8AT-77122-00	HOOD 2	1	1	1	1	
22	90267-48018	RIVET, BLIND (4.8X18.6 BLACK)	4	4	4	4	
23	97707-50016	SCREW, TRUSS HEAD TAPPING	2	2	2	2	
24	83R-77140-00	HINGE ASSY	1	1	1	1	
25	83R-7714A-00	HINGE ASSY 2	1	1	1	1	
26	98904-06016	SCREW, BIND	4	4	4	4	



8ACD100-C290

FIG. 30 SHROUD

REF. NO.	PART NO.	DESCRIPTION	CAN	EUR	RUS	JPN	REMARKS
27	95707-06300	NUT, NYLON	4	4	4	4	
28	83R-77185-00	PLATE 1	1	1	1	1	
29	83R-77125-00	STAY 1	2	2	2	2	
30	90122-05022	BOLT, WING	2	2	2	2	
31	90468-10003	CLIP	2	2	2	2	
32	92907-05100	WASHER, SPRING	2	2	2	2	
33	90202-05088	WASHER, PLATE	2	2	2	2	
34	90267-48079	RIVET, BLIND (4.8X16.1)	4	4	4	4	
35	90201-043H7	WASHER, PLATE	4	4	4	4	
36	83R-77194-00	DUCT	1	1	1	1	
37	83R-77515-00	BUSH, RUBBER 1	1	1	1	1	
38	90269-05039	RIVET	3	3	3	3	
39	98907-06014	SCREW, BIND	2	2	2	2	
40	83R-77186-00	PLATE 2	1	1	1	1	
41	90201-06557	WASHER, PLATE	1	1	1	1	
42	92907-06100	WASHER, SPRING	1	1	1	1	
43	95307-06600	NUT	1	1	1	1	
44	83R-77144-00	NUT	2	2	2	2	
45	83R-77241-00	SRAY, FAIRING	1	1	1	1	
46	90201-06557	WASHER, PLATE	3	3	3	3	
47	95707-06300	NUT, NYLON	4	4	4	4	
48	8AC-77231-40	FAIRING	1	1	1	1	UR FOR SMX
	8AC-77231-50	FAIRING	1	1	1	1	UR FOR BWC1
49	83R-77212-00	BOLT, WIND SHIELD	4	4	4	4	
50	90201-06557	WASHER, PLATE	2	2	2	2	
51	95707-06300	NUT, NYLON	4	4	4	4	
52	86V-77251-01	COVER, HEADLIGHT	1	1	1		

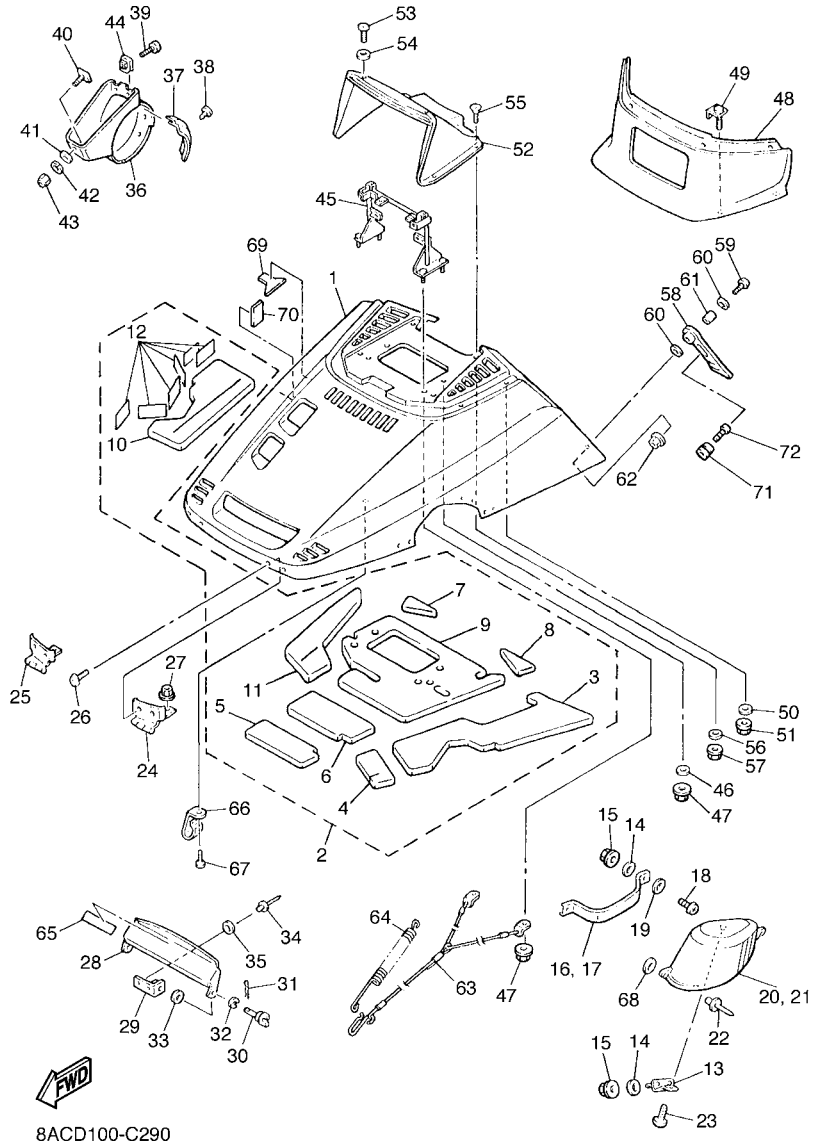
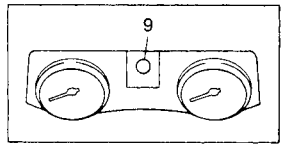
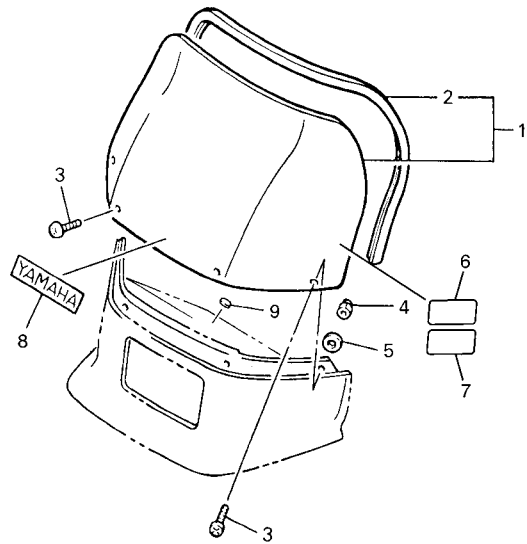


FIG. 30 SHROUD

REF. NO.	PART NO.	DESCRIPTION	CAN	EUR	RUS	JPN	REMARKS
52	87R-77251-01	COVER, HEADLIGHT				1	
53	98907-05012	SCREW, BIND	2	2	2	2	
54	90201-06042	WASHER, PLATE	2	2	2	2	
55	98707-05016	SCREW, FLAT HEAD	4	4	4	4	
56	90201-05029	WASHER, PLATE	4	4	4	4	
57	95707-05300	NUT, FLANGE	4	4	4	4	
58	8V0-77171-00	BODY, LATCH 1	2	2	2	2	
59	98907-06025	SCREW, BIND	2	2	2	2	
60	90201-06557	WASHER, PLATE	4	4	4	4	
61	90387-06241	COLLAR	2	2	2	2	
62	95707-06500	NUT, FLANGE	2	2	2	2	
63	83R-77118-01	STOPPER, SHROUD	1	1	1	1	
64	838-77159-00	CLAMP, ROD	1	1	1	1	
65	8AC-2815P-E0	LABEL, NOTICE 1	1				
	8AC-2815P-S0	LABEL, NOTICE 1		1	1		
	8AC-2815P-J0	LABEL, NOTICE 1				1	
66	90461-08113	CLAMP	3	3	3	3	
67	97707-50014	SCREW, TRUSS HEAD TAPPING	2	2	2	2	
68	90201-043H7	WASHER, PLATE	4	4	4	4	
69	8AT-2199H-00	SHIELD, HEAT	1	1	1	1	
70	8AT-77196-00	DAMPNER, SHROUD	1	1	1	1	
71	8M6-77175-00	HOLDER, LATCH	2	2	2	2	
72	98907-06035	SCREW, BIND	2	2	2	2	

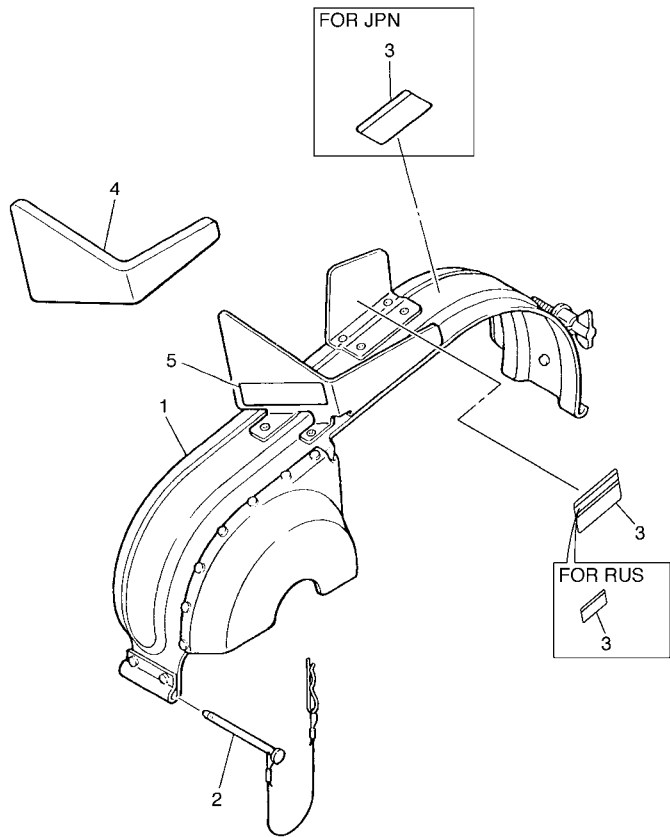
FIG. 32 WINDSHIELD

REF. NO.	PART NO.	DESCRIPTION	CAN	EUR	RUS	JPN	REMARKS
1	86V-77210-10	WINDSHIELD COMP.	1	1	1	1	
2	87S-77213-10	.TRIM, UPPER	1	1	1	1	
3	90154-05047	SCREW, BINDING	4	4	4	4	
4	90176-05059	NUT, CROWN	2	2	2	2	
5	90201-05033	WASHER, PLATE	2	2	2	2	
6	4B5-2815K-00	LABEL, NOTICE WINDSHIELD 1	1				
7	4B5-2815K-10	LABEL, NOTICE WINDSHIELD 1	1				
	4B5-2815K-20	LABEL, NOTICE WINDSHIELD 1				1	
8	99246-00120	EMBLEM, YAMAHA	1	1	1	1	
9	4XV-2341B-00	EMBLEM	1	1	1	1	



8ACL100-G310

FIG. 33 GUARD & LUGGAGE BOX



REF. NO.	PART NO.	DESCRIPTION	CAN	EUR	RUS	JPN	REMARKS
1	8AT-77311-00	GUARD, DRIVE	1	1	1	1	
2	83R-77327-00	SHAFT	1	1	1	1	
3	8BD-77762-00	LABEL, WARNING 2	1				
	86D-77762-00	LABEL, WARNING 2		1			
	8AC-77762-R1	LABEL, WARNING 2			1		
	8BD-77762-21	LABEL, WARNING 2				1	
4	8AT-77319-00	DAMPER 1	1	1	1	1	
5	8AT-1417E-00	LABEL, CAUTION	1	1	1		


8ACK100-F320

FIG. 34 BUMPER

REF. NO.	PART NO.	DESCRIPTION	CAN	EUR	RUS	JPN	REMARKS
1	8AT-77511-01	BUMPER, FRONT 1	1	1	1	1	
2	8AT-77512-01	BUMPER, FRONT 2	1	1	1	1	
3	8AT-77516-00	BUSH, RUBBER 2	2	2	2	2	
4	8AT-77529-00	SPACER, BUMPER	1	1	1	1	
5	90105-08408	BOLT, FLANGE	8	8	8	8	
6	8AT-77552-00	PROTECTOR 2	1	1	1	1	
7	8AT-77551-01	PROTECTOR 1	1	1	1	1	
8	8AT-77553-00	PROTECTOR 3	1	1	1	1	
9	90149-08230	SCREW	11	11	11	11	
10	92907-08200	WASHER	3	3	3	3	
11	95307-08600	NUT	3	3	3	3	
12	8AT-77521-00	STOPPER, 1	1	1	1	1	
13	8AT-77522-00	STOPPER 2	1	1	1	1	
14	90267-48018	RIVET, BLIND (4.8X18.6 BLACK)	4	4	4	4	
15	90267-48149	RIVET, BLIND (4.8X23.2)	2	2	2	2	
16	8AT-77523-10	END, BUMPER	1				
	8AT-77523-00	END, BUMPER		1	1	1	
17	8AT-77524-10	END, BUMPER	1				
	8AT-77524-00	END, BUMPER		1	1	1	
18	8AC-77540-00	REAR BUMPER COMP.	1	1	1	1	
19	95827-08014	BOLT, FLANGE	4	4	4	4	
20	92907-08200	WASHER	4	4	4	4	
21	92907-08100	WASHER, SPRING	4	4	4	4	
22	95307-08800	NUT	4	4	4	4	
23	95827-08020	BOLT, FLANGE	6	6	6	6	
24	84R-77592-00	BRACKET, HITCH 2	1	1		1	
	86D-77591-00	BRACKET, HITCH 1			1		

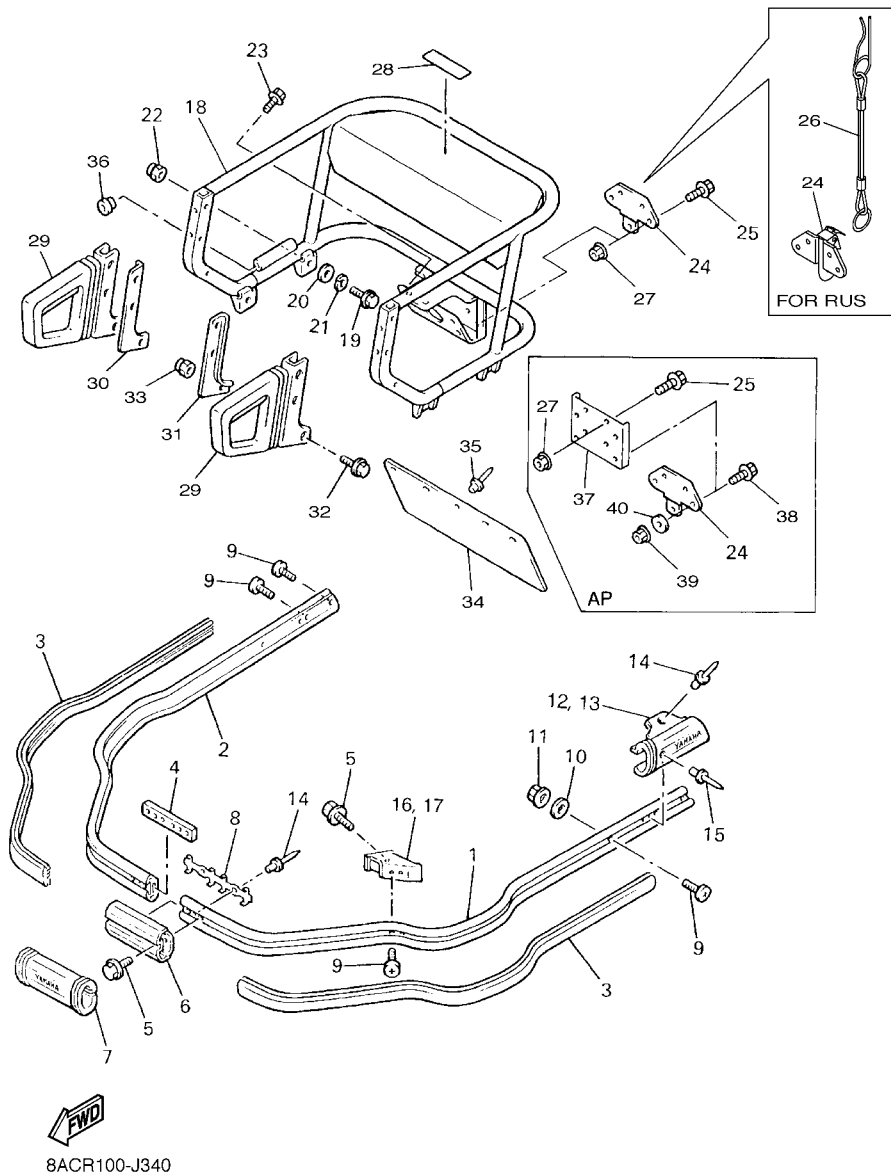
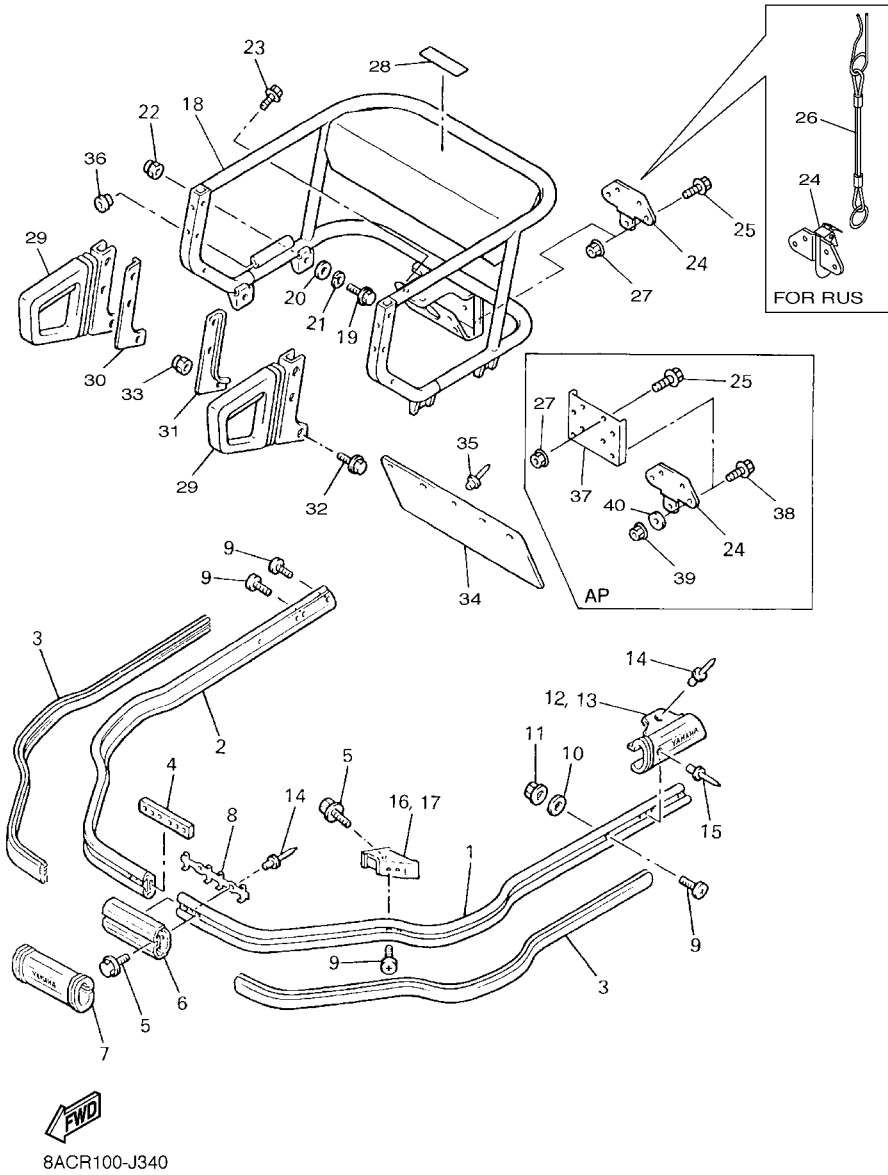


FIG. 34 BUMPER

REF. NO.	PART NO.	DESCRIPTION	CAN	EUR	RUS	JPN	REMARKS
25	95827-08020	BOLT, FLANGE	4	4	4	4	
26	8U1-77157-00	PIN, HINGE			1		
27	95607-08200	NUT, SELF-LOCKING	4	4	4	4	
28	8FM-24897-01	EMBLEM	1				
	8FM-24897-11	EMBLEM		1	1		
	4KN-24877-C0	LABEL, CAUTION				1	
29	8X0-77571-00	GRIP, ASSIST 1	2	2	2	2	
30	8X0-77525-00	WASHER 1	1	1	1	1	
31	8X0-77526-00	WASHER 2	1	1	1	1	
32	95807-08040	BOLT, FLANGE	6	6	6	6	
33	90176-08063	NUT, CROWN	6	6	6	6	
34	83R-77595-00	FLAP	1	1	1	1	
35	90267-48086	RIVET, BLIND (4.8X19 BLACK)	5	5	5	5	
36	90480-15268	GROMMET	2	2	2	2	
37	80M-77591-00	BRACKET, HITCH 1				1	AP
38	95827-08025	BOLT, FLANGE				4	AP
39	95717-08300	NUT, FLANGE				4	AP
40	92907-08600	WASHER, PLATE				4	AP



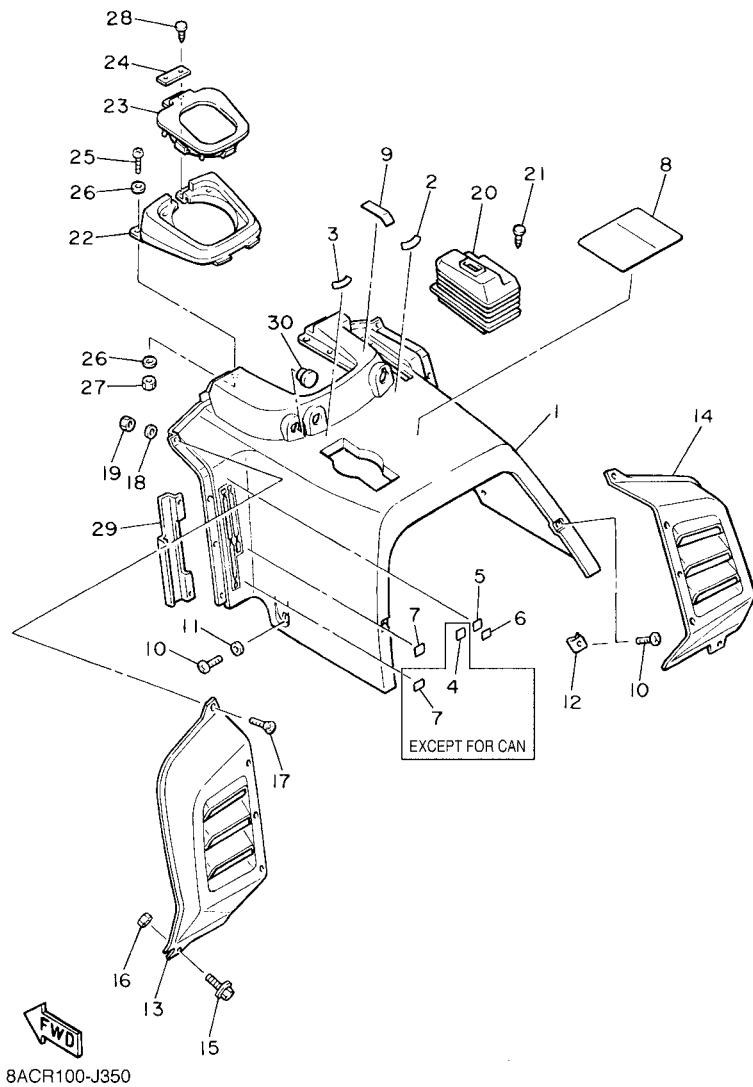
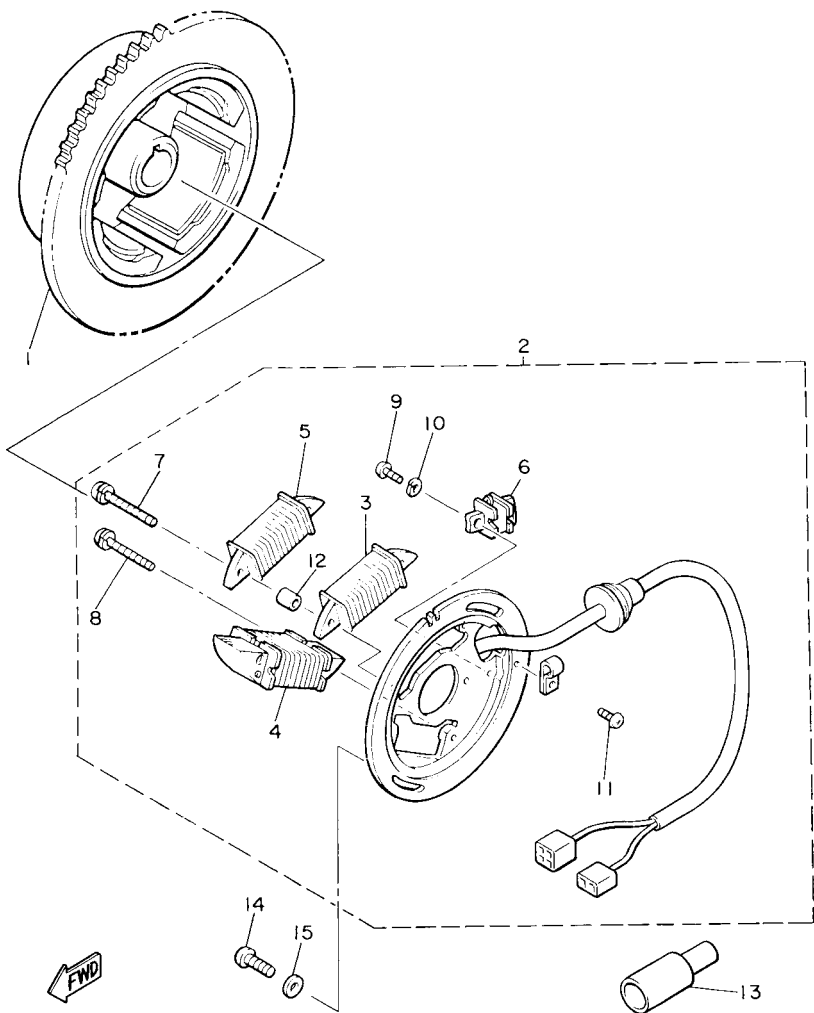


FIG. 35 INSTRUMENT PANEL

REF. NO.	PART NO.	DESCRIPTION	CAN	EUR	RUS	JPN	REMARKS
1	86V-77711-00	PANEL, INSTRUMENT	1	1	1	1	
2	8V0-77741-20	INDICATOR 1	1	1	1	1	
3	8U9-77742-00	INDICATOR 2	1	1	1	1	
4	87A-77743-00	INDICATOR 3			1	1	
5	87A-77742-00	INDICATOR 2	1	1	1	1	
6	87A-77741-00	INDICATOR 1	1	1	1	1	
7	87A-77745-00	INDICATOR 5	1				
	87A-77745-00	INDICATOR 5		2	2	2	
8	87R-77761-10	LABEL, WARNING 1	1				
	8AC-77761-10	LABEL, WARNING 1		1			
	8AC-77761-R1	LABEL, WARNING 1			1		
	8AC-77761-00	LABEL, WARNING 1				1	
9	83R-77741-00	INDICATOR 1	1	1	1	1	
10	98907-06016	SCREW, BIND	4	4	4	4	
11	90387-060U0	COLLAR	2	2	2	2	
12	83R-77144-00	NUT	2	2	2	2	
13	83R-77131-01	LOUVER 1	1	1	1	1	
14	83R-77132-01	LOUVER 2	1	1	1	1	
15	95807-06016	BOLT, FLANGE	2	2	2	2	
16	95707-06300	NUT, NYLON	2	2	2	2	
17	98707-04016	SCREW, FLAT HEAD	7	7	7	7	
18	90201-047A2	WASHER, PLATE	5	5	5	5	
19	95707-04300	NUT, FLANGE	5	5	5	5	
20	83R-77731-00	SHIELD 1	1	1	1	1	
21	90269-05055	RIVET	4	4	4	4	
22	83R-77712-00	PANEL, INSTRUMENT	1	1	1	1	
23	83R-77740-00	GROMMET, INSTRUMENT PANEL	1	1	1	1	

FIG. 36 GENERATOR

REF. NO.	PART NO.	DESCRIPTION	CAN	EUR	RUS	JPN	REMARKS
1	8AT-85550-01	ROTOR ASSY	1	1	1	1	
2	8AT-85560-00	BASE ASSY	1	1	1	1	
3	81L-85520-M0	.COIL, CHARGE	1	1	1	1	
4	81L-81313-M0	.COIL, LIGHTING 1	1	1	1	1	
5	81L-81314-M0	.COIL, LIGHTING 2	1	1	1	1	
6	8R4-85580-M0	.COIL, PULSER	1	1	1	1	
7	90159-05130	.SCREW, WITH WASHER	2	2	2	2	
8	90159-05129	.SCREW, WITH WASHER	2	2	2	2	
9	98502-04012	.SCREW, PAN HEAD	2	2	2	2	
10	92902-04100	.WASHER, SPRING	3	3	3	3	
11	98502-04008	.SCREW, PAN HEAD	1	1	1	1	
12	90387-06299	.COLLAR	2	2	2	2	
13	8Y0-82599-00	COVER, CONNECTER	1	1	1	1	
14	98907-06016	SCREW, BIND	2	2	2	2	
15	90201-06043	WASHER, PLATE	2	2	2	2	





8AC6100-9360

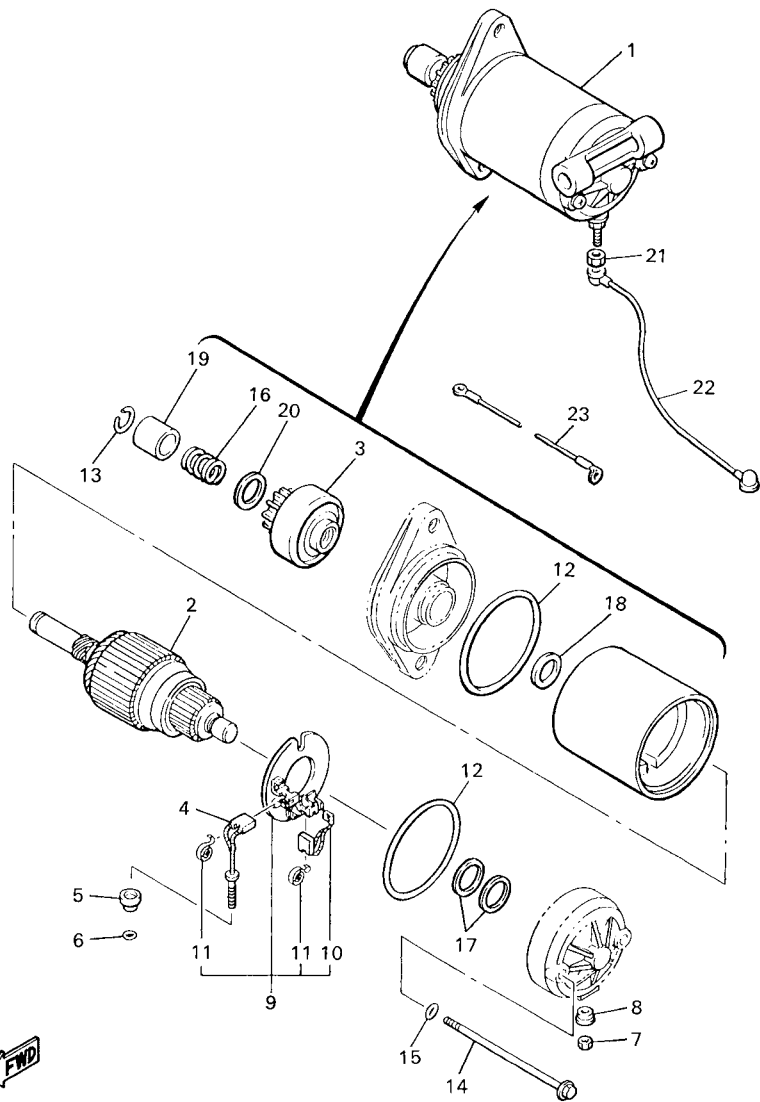
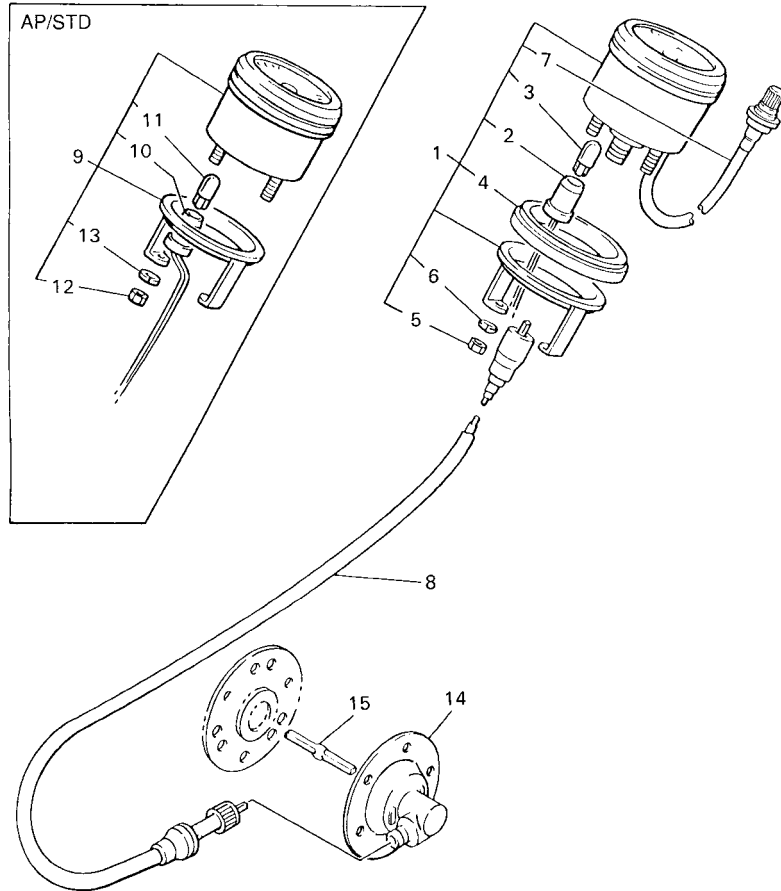


FIG. 37 STARTING MOTOR

REF. NO.	PART NO.	DESCRIPTION	CAN	EUR	RUS	JPN	REMARKS
1	8BB-81800-01	STARTING MOTOR ASSY	1	1	1	1	
2	8Y3-81850-50	.ARMATURE ASSY	1	1	1	1	
3	84N-81832-51	.CLUTCH, OVER RUN	1	1	1	1	
4	73A-81811-00	.BRUSH 1	1	1	1	1	
5	73A-81829-50	.GROMMET	1	1	1	1	
6	73A-81847-00	.O-RING	1	1	1	1	
7	4H7-81872-00	.NUT, SPECIAL	1	1	1	1	
8	73A-81829-00	.GROMMET	1	1	1	1	
9	8L6-81840-50	.BRUSH HOLDER ASSY	1	1	1	1	
10	84N-81812-00	..BRUSH 2	1	1	1	1	
11	8L6-81813-50	..SPRING, BRUSH	2	2	2	2	
12	4H7-81844-50	.O-RING	2	2	2	2	
13	8L6-81834-50	.RING	1	1	1	1	
14	84N-81826-00	.BOLT	2	2	2	2	
15	8L6-81847-50	.O-RING	2	2	2	2	
16	8BB-81836-00	.SPRING, LEVER	1	1	1	1	
17	4H7-81843-50	.WASHER 1	2	2	2	2	
18	8L6-81835-50	.WASHER 2	1	1	1	1	
19	8L6-81833-50	.RING, STOP	1	1	1	1	
20	8BB-8185A-00	.WASHER, PLATE	1	1	1	1	
21	95307-06600	NUT	1	1	1	1	
22	83R-82117-01	WIRE, LEAD	1	1	1	1	
23	88N-82116-00	WIRE, MINUS LEAD	1	1	1	1	



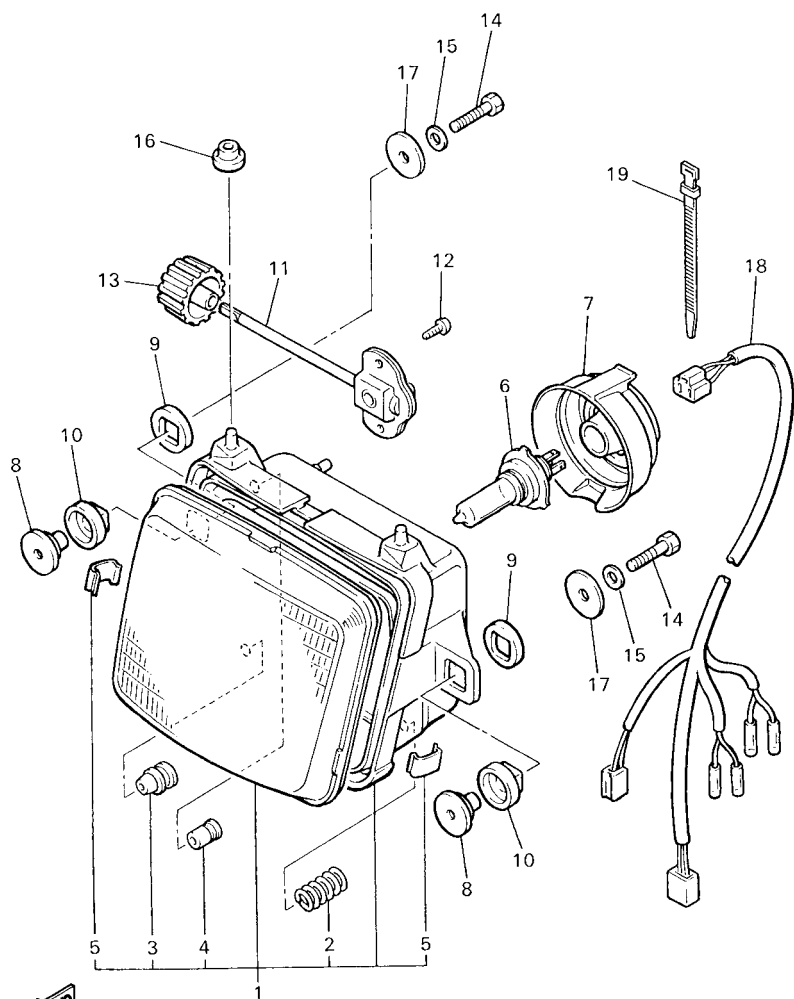
8AC7100-0370

FIG. 38 METER

REF. NO.	PART NO.	DESCRIPTION	CAN	EUR	RUS	JPN	REMARKS
1	86V-83510-20	SPEEDOMETER ASSY (KM/H)	1	1	1	1	
2	8V7-83536-40	.SOCKET, METER	1	1	1	1	
3	4R0-83517-00	.BULB (12V-3.4W T10)	1	1	1	1	
4	8G6-83523-00	.DAMPER	1	1	1	1	
5	95302-05600	.NUT	2	2	2	2	
6	92902-05100	.WASHER, SPRING	2	2	2	2	
7	8K1-83603-00	.TRIP METER CABLE ASSY	1	1	1	1	
8	8H4-83560-00	METER CABLE ASSY	1	1	1	1	
9	85L-83540-00	TACHOMETER ASSY	1	1	1		AP
	85L-83540-00	TACHOMETER ASSY				1	STD
10	85L-83509-00	.SOCKET CORD ASSY	1	1	1		AP
	85L-83509-00	.SOCKET CORD ASSY				1	STD
11	4R0-83517-00	.BULB (12V-3.4W T10)	1	1	1		AP
	4R0-83517-00	.BULB (12V-3.4W T10)				1	STD
12	95380-05600	.NUT	4	4	4		AP
	95380-05600	.NUT				4	STD
13	92990-05100	.WASHER, SPRING	4	4	4		AP
	92990-05100	.WASHER, SPRING				4	STD
14	83R-47700-00	METER GEAR HOUSING COMP.	1	1	1	1	
15	8K4-47715-00	JOINT	1	1	1	1	

FIG. 39 HEADLIGHT

REF. NO.	PART NO.	DESCRIPTION	CAN	EUR	RUS	JPN	REMARKS
1	84R-8430A-A0	HEAD LIGHT UNIT ASSY	1			1	
	83R-8430A-G0	HEAD LIGHT UNIT ASSY		1	1		
2	51L-84332-00	.SPRING, SCREW	1	1	1	1	
3	51L-8431U-00	.HOLDER	1	1	1	1	
4	51L-84334-00	.NUT, ADJUSTING	2	2	2	2	
5	36Y-84324-00	.SPRING, REFLECTOR	3	3	3	3	
6	2F9-84314-00	BULB (12V-60/55W)	1	1	1	1	(H4)HALOGEN
7	36Y-84397-00	COVER, SOCKET	1	1	1	1	
8	498-84145-60	COLLAR, BODY FITTING	2	2	2	2	
9	498-84164-60	DAMPER	2	2	2	2	
10	498-84163-60	DAMPER	2	2	2	2	
11	83R-8430M-00	GEAR UNIT ASSY	1	1	1	1	
12	97707-40616	SCREW, TAPPING	2	2	2	2	
13	26H-8432M-00	KNOB ASSY	1	1	1	1	
14	97007-08040	BOLT	2	2	2	2	
15	92907-08600	WASHER, PLATE	2	2	2	2	
16	36Y-84354-00	GROMMET	2	2	2	2	
17	90201-08766	WASHER, PLATE	2	2	2	2	
18	8AT-84359-00	CORD, HEADLIGHT	1	1	1	1	
19	437-83936-01	BAND, SWITCH CORD	1	1	1	1	



8AC4100-7380

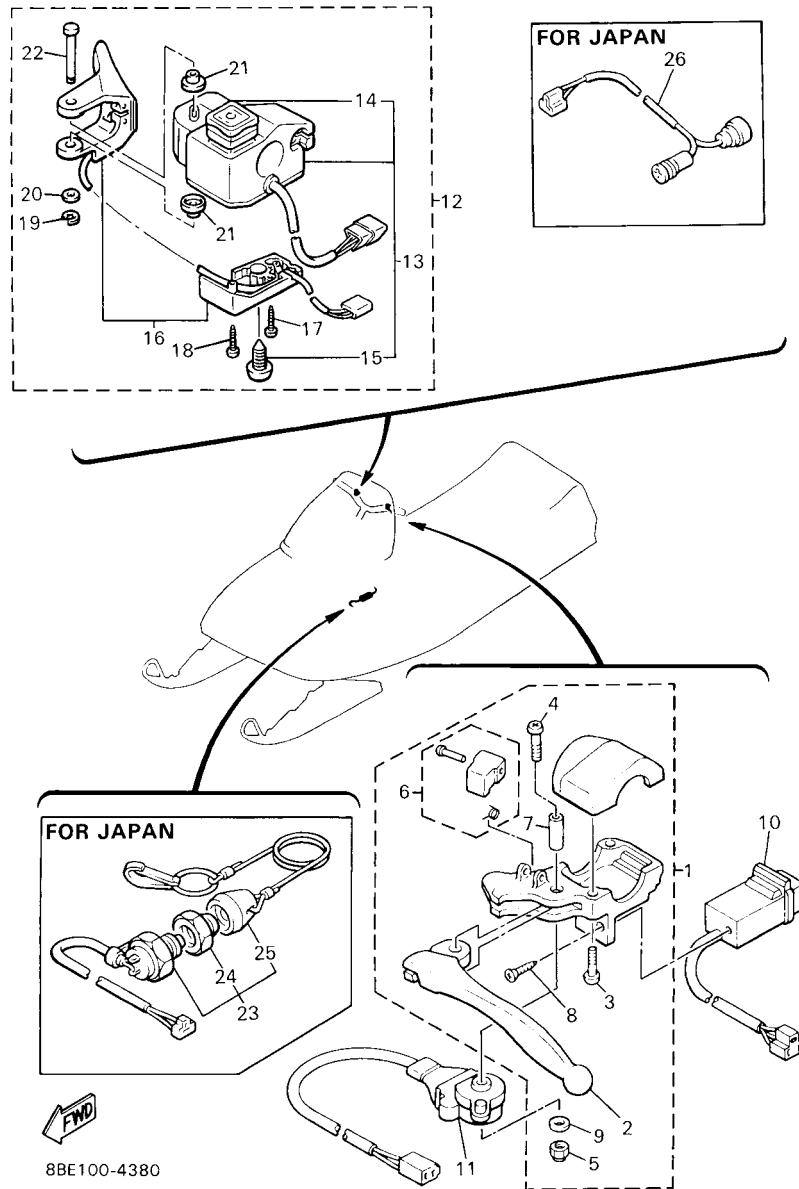
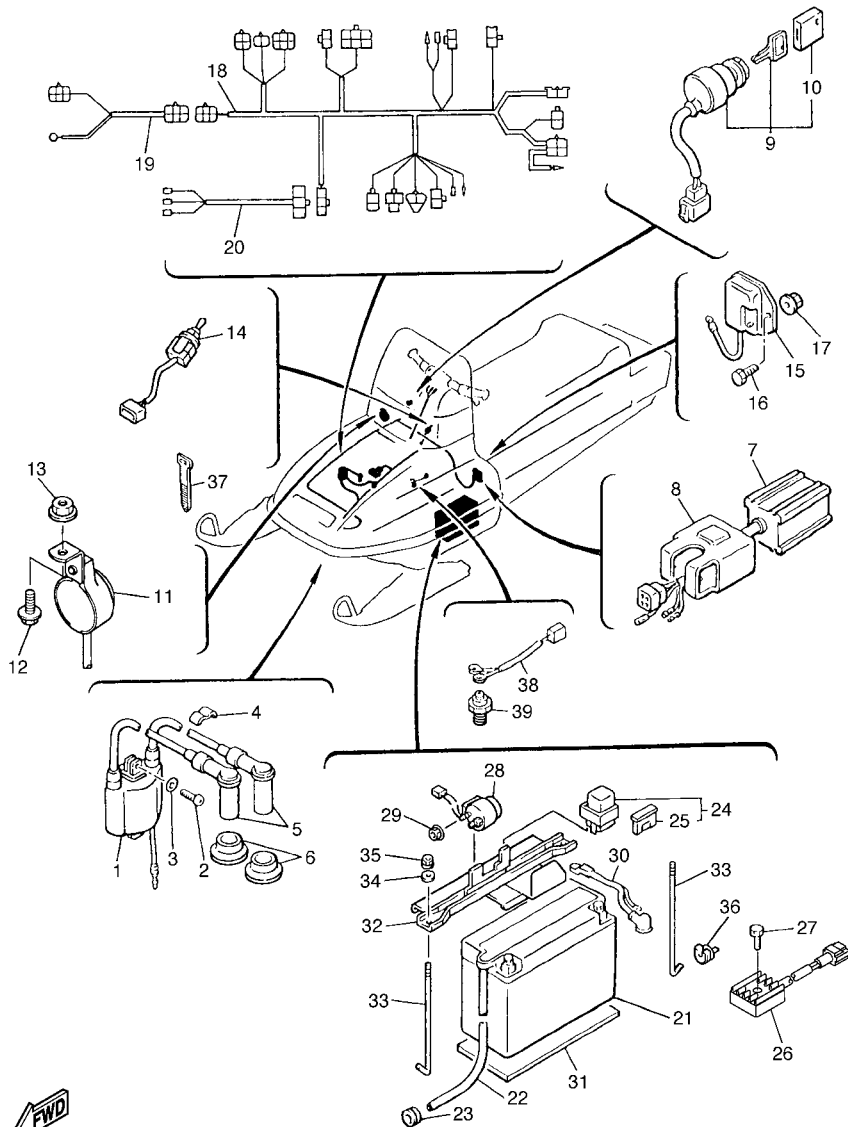


FIG. 41 HANDLE SWITCH & LEVER

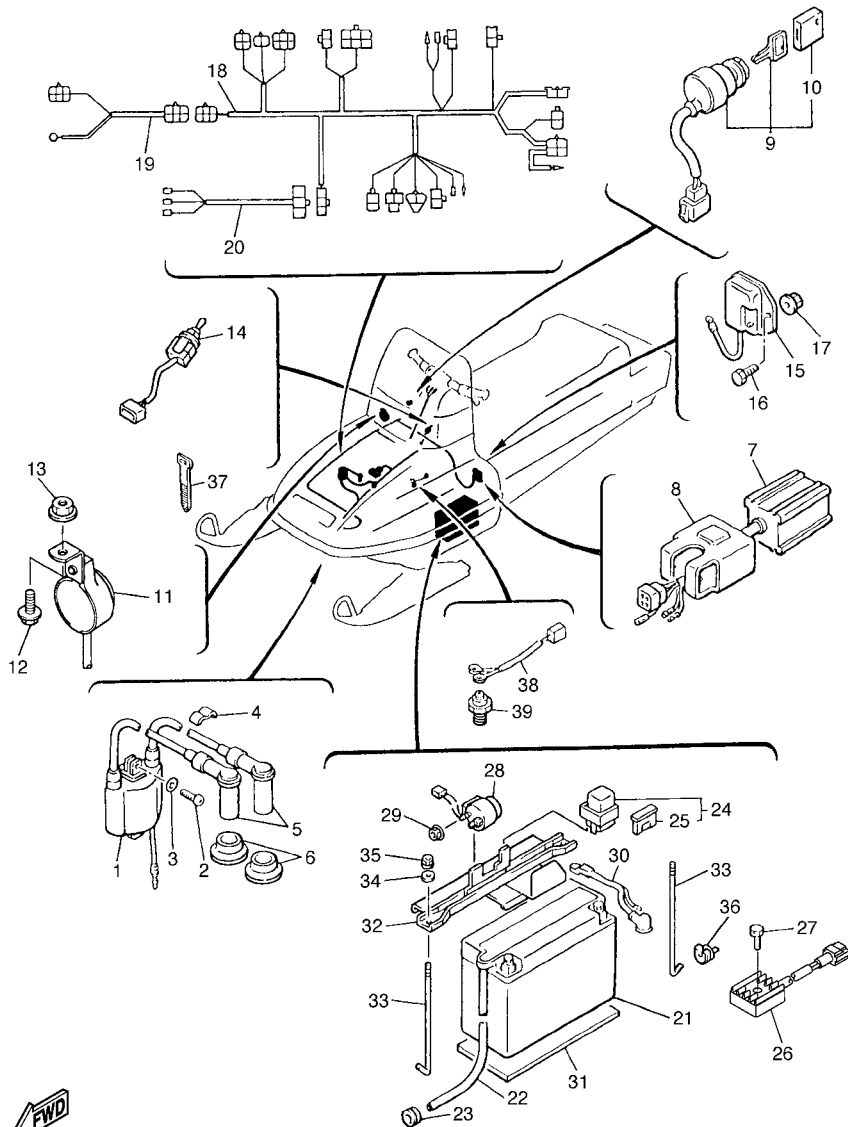
REF. NO.	PART NO.	DESCRIPTION	CAN	EUR	RUS	JPN	REMARKS
1	88R-W8291-00	LEVER HOLDER ASSY (LEFT)	1	1	1	1	
2	8H8-83912-00	.LEVER 1	1	1	1	1	
3	90157-05027	.SCREW, PAN HEAD	2	2	2	2	
4	8R4-82113-00	.SCREW	1	1	1	1	
5	95702-05300	.NUT, NYLON	1	1	1	1	
6	8K4-W8393-00	.LEVER LOCK ASSY	1	1	1	1	
7	802-83913-00	.COLLAR, LEVER 1	1	1	1	1	
8	8R4-8252V-00	.SCREW, SPECIAL	1	1	1	1	
9	92902-05200	.WASHER	1	1	1	1	
10	8K4-83950-01	BEAM SWITCH ASSY	1	1	1	1	
11	88R-82530-00	STOP SWITCH ASSY	1	1	1	1	
12	8AU-82720-02	LEVER HOLDER ASSY (RIGHT)	1	1	1	1	
13	8AU-83963-00	.SWITCH, HANDLE 3 (RIGHT)	1	1	1	1	
14	8AU-82575-09	..ENGINE STOP SWITCH ASSY	1	1	1	1	WIRE/L=240MM
15	8R6-83928-00	..SCREW	1	1	1	1	
16	8AU-82970-02	.THUMB WARMER ASSY	1	1	1	1	
17	97706-30620	.SCREW, TAPPING	1	1	1	1	
18	97706-30630	.SCREW, TAPPING	1	1	1	1	
19	99001-04600	.CIRCLIP	1	1	1	1	
20	85G-83663-00	.WASHER, SPECIAL	1	1	1	1	
21	85G-83956-00	.CAP 1	2	2	2	2	
22	88T-8399F-00	.SHAFT	1	1	1	1	
23	8H8-82550-01	ENGINE STOP SWITCH ASSY				1	AP
24	8H8-82557-00	.NUT				1	AP
25	8H7-82552-01	.CAP, SWITCH				1	AP
26	89L-82318-00	WIRE, SUB-LEAD				1	AP



8ACF100-D410

FIG. 42 ELECTRICAL 1

REF. NO.	PART NO.	DESCRIPTION	CAN	EUR	RUS	JPN	REMARKS
1	88T-82310-01	IGNITION COIL ASSY	1	1	1	1	
2	97880-06020	SCREW, PAN HEAD	2	2	2	2	
3	92990-06600	WASHER, PLATE	2	2	2	2	
4	861-82361-00	CLAMP, CORD	1	1	1	1	
5	8K1-82370-20	PLUG CAP ASSY (WITH RESISTOR)	2	2	2	2	
6	8G5-82372-00	SEAL, PLUG CAP	2	2	2	2	
7	8AU-85540-00	C.D.I. UNIT ASSY	1	1	1	1	
8	2A7-85546-00	BAND	1	1	1	1	
9	8K1-82510-20	MAIN SWITCH ASSY	1	1	1	1	
10	526-82579-00	.CAP, KEY	2	2	2	2	
11	87L-83383-01	BUZZER	1	1	1	1	
12	95827-06016	BOLT, FLANGE	1	1	1	1	
13	95607-06200	NUT, SELF U-FLANGE	1	1	1	1	
14	8BE-82917-00	SWITCH	1	1	1	1	
15	82M-81910-A0	VOLTAGE REGULATOR ASSY	1	1	1	1	
16	97007-06014	BOLT	1	1	1	1	
17	95707-06300	NUT, NYLON	1	1	1	1	
18	8AC-82590-10	WIRE HARNESS ASSY	1	1	1	1	
19	8AC-82509-00	WIRE, SUB LEAD	1	1	1	1	
20	8AC-84717-01	CORD, TAILLIGHT	1	1	1	1	
21	5E3-82110-81	BATTERY ASSY (YUASA YB16AL-A2)	1	1	1		
	90793-26072	BATTERY ASSY (YUASA YB16AL-A2)				1	
22	8AC-8235W-00	PIPE	1	1	1	1	
23	90480-12314	GROMMET	1	1	1	1	
24	8BE-82150-00	FUSE HOLDER ASSY	1	1	1	1	
25	42X-82151-00	.FUSE (10A-BL)	2	2	2	2	
26	8AC-81970-00	RECTIFIER ASSY	1	1	1	1	

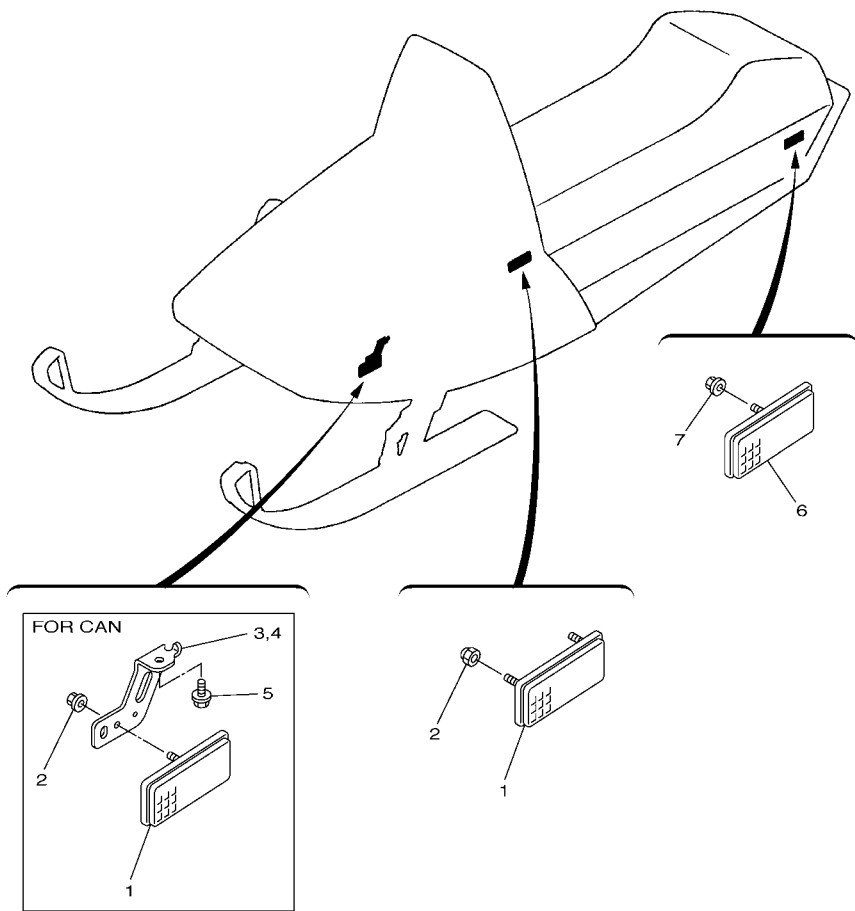


8ACF100-D410

FIG. 42 ELECTRICAL 1

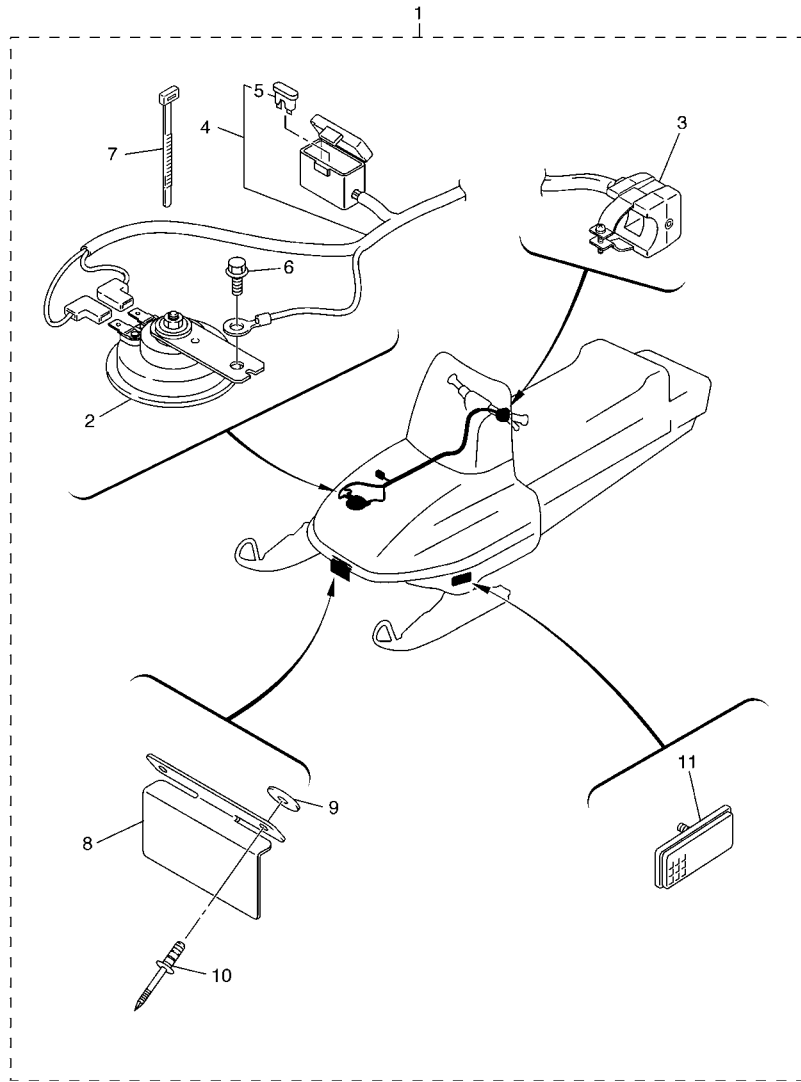
REF. NO.	PART NO.	DESCRIPTION	CAN	EUR	RUS	JPN	REMARKS
27	95807-06020	BOLT, FLANGE	1	1	1	1	
28	50W-81940-10	STARTER RELAY ASSY	1	1	1	1	
29	95707-06500	NUT, FLANGE	2	2	2	2	
30	88N-82115-00	WIRE, PLUS LEAD	1	1	1	1	
31	84N-82122-00	SEAT, BATTERY	1	1	1	1	
32	8AC-82136-10	PLATE, BATTERY FITTING	1	1	1	1	
33	8Y7-82133-00	SCREW, FITTING	2	2	2	2	
34	92907-06600	WASHER, PLATE	2	2	2	2	
35	95707-06300	NUT, NYLON	2	2	2	2	
36	8AC-82355-00	GROMMET	1	1	1	1	
37	341-26397-01	BAND	1	1	1	1	
38	87L-82318-00	WIRE, SUB-LEAD	1	1	1	1	
39	4KD-82540-00	NEUTRAL SWITCH ASSY	1	1	1	1	

FIG. 43 ELECTRICAL 2



8ACR100-J430

REF. NO.	PART NO.	DESCRIPTION	CAN	EUR	RUS	JPN	REMARKS
1	8GM-85110-00	REFLECTOR ASSY	2				
	86R-85110-00	REFLECTOR ASSY		2	2	2	
2	95602-05200	NUT, SELF-LOCKING	2				
	95607-05200	NUT, U FLANGE		4	4	4	
3	8AC-8366G-00	BRACKET 3	1				
4	8AC-8366P-00	BRACKET 4	1				
5	95822-06012	BOLT, FLANGE	2				
6	3Y6-85130-02	REAR REFLECTOR ASSY	2				
	8GM-85110-00	REFLECTOR ASSY		2	2	2	
7	95702-05500	NUT, FLANGE	2	2	2	2	



8ACL100-G430

FIG. 44 ELECTRICAL 3

REF. NO.	PART NO.	DESCRIPTION	CAN	EUR	RUS	JPN	REMARKS
1	8AC-833A0-00	HORN KIT		1			FOR FINLAND
2	3MX-83371-11	.HORN		1			FOR FINLAND
3	8FR-83976-02	.SWITCH, HANDLE 1		1			FOR FINLAND
4	8AC-82509-10	.WIRE, SUB LEAD		1			FOR FINLAND
5	5JJ-82151-50	..FUSE (3A-BL)		1			FOR FINLAND
6	95822-06016	.BOLT, FLANGE		1			FOR FINLAND
7	437-83936-01	.BAND, SWITCH CORD		1			FOR FINLAND
8	8GU-21641-00	.BRACKET, REFLECTOR		1			FOR FINLAND
9	90201-05036	.WASHER, PLATE		2			FOR FINLAND
10	90267-47186	.RIVET, BLIND (4.7X16.4 BLACK)		2			FOR FINLAND
11	8GM-85110-00	.REFLECTOR ASSY		2			FOR FINLAND

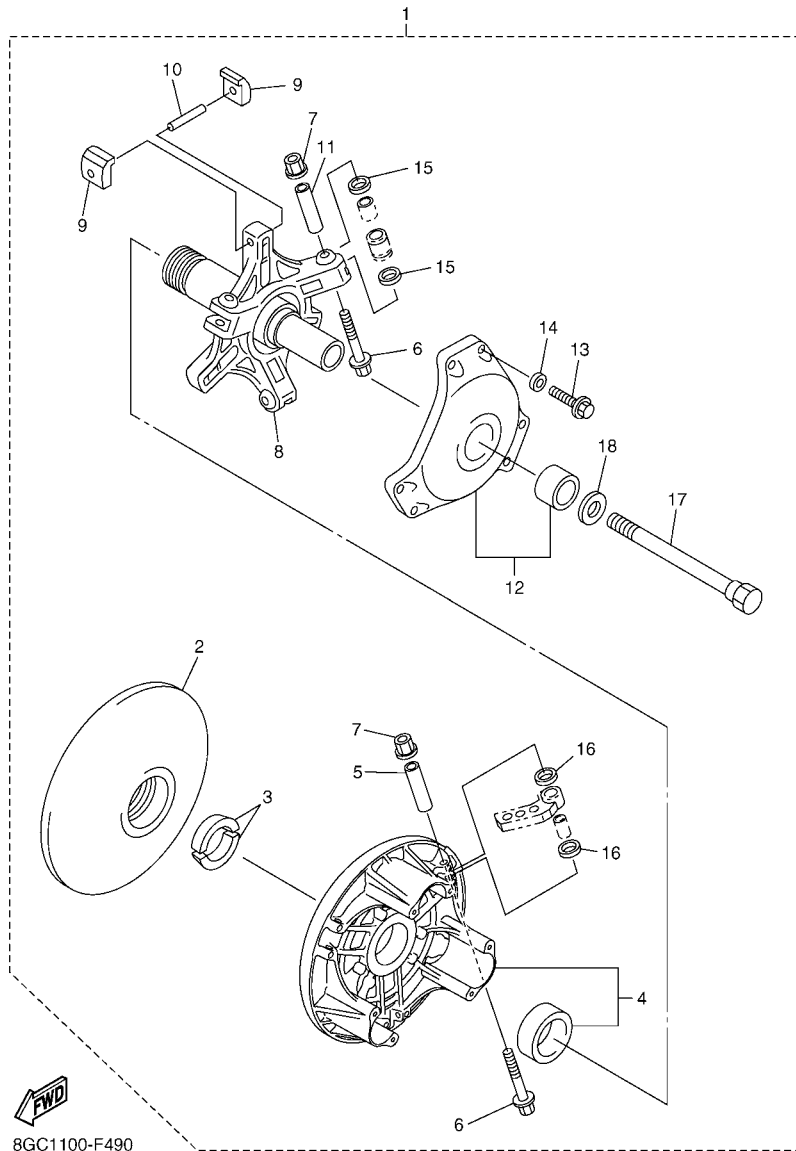
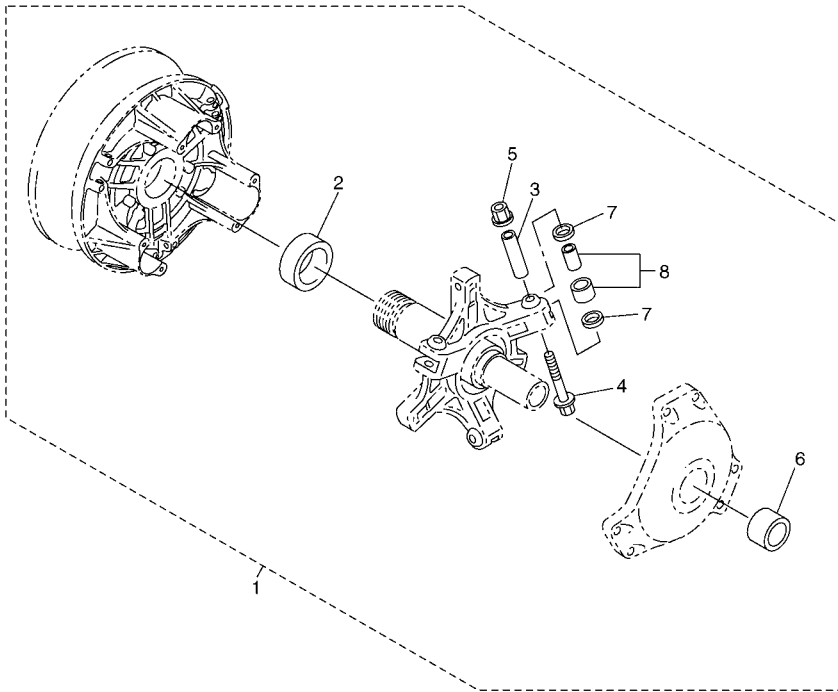


FIG. 46 ALTERNATE REBUILD KIT

REF. NO.	PART NO.	DESCRIPTION	CAN	EUR	RUS	JPN	REMARKS
1	8GJ-W176G-01	CLUTCH REPAIR KIT	1	1	1	1	AP CAN:TO 8AC-092900 AP FROME 8AC-092901
	8GJ-W176G-02	CLUTCH REPAIR KIT	1	1	1	1	
2	8FA-17611-01	.SHEAVE, PRIMARY FIXED	1	1	1	1	
3	8V0-17639-00	.STOPPER	2	2	2	2	
4	8BV-17620-03	.PRIMARY SLIDING SHEAVE COMP.	1	1	1	1	
5	90387-0514T	.COLLAR	3	3	3	3	
6	90105-05644	.BOLT, FLANGE	6	6	6	6	
7	95607-05200	.NUT, U FLANGE	6	6	6	6	
8	8ES-17640-01	.SPIDER COMPLETE	1	1	1	1	CAN:TO 8AC-092900 FROME 8AC-092901
	8ES-17640-02	.SPIDER COMPLETE	1	1	1	1	
9	8BW-17653-00	.SLIDER	6	6	6	6	
10	91609-50032	.PIN, SPRING	3	3	3	3	
11	90387-0514U	.COLLAR	3	3	3	3	
12	8BV-17630-11	.PRIMARY SHEAVE CAP COMP.	1	1	1	1	
13	97017-06030	.BOLT	6	6	6	6	
14	92907-06600	.WASHER, PLATE	6	6	6	6	
15	90202-09227	.WASHER, PLATE	6	6	6	6	
16	90202-08204	.WASHER, PLATE	6	6	6	6	
17	8V0-17647-00	.BOLT (L=156.5MM)	1	1	1	1	
18	92907-16100	.WASHER	1	1	1	1	

FIG. 47 ALTERNATE CLUTCH TUNE UP KIT



REF. NO.	PART NO.	DESCRIPTION	CAN	EUR	RUS	JPN	REMARKS
1	8ET-W176H-00	CLUTCH TUNE-UP KIT	1	1	1	1	AP
2	90384-41242	.BUSH, BIMETAL FORMED	1	1	1	1	
3	90387-0514U	.COLLAR	3	3	3	3	
4	90105-05644	.BOLT, FLANGE	3	3	3	3	
5	95607-05200	.NUT, U FLANGE	3	3	3	3	
6	90380-28237	.BUSH, SOLID	1	1	1	1	
7	90202-09227	.WASHER, PLATE	6	6	6	6	
8	8FG-17624-00	.ROLLER, COMP	3	3	3	3	



8FA1100-B550

NUMERICAL INDEX

PART NO.	REF. NO.	PART NO.	REF. NO.	PART NO.	REF. NO.	PART NO.	REF. NO.	PART NO.	REF. NO.	PART NO.	REF. NO.
8R6-11111-00	1 - 1	866-13175-00	5 - 4	3G2-14231-28	7 - 12	83R-17432-01	28 - 31	8V9-21485-00	13 - 5	8F3-23812-00	17 - 8
J38-11116-00	9 - 7	821-13176-00	5 - 3	3G2-14231-77	7 - 12	83R-17492-10	28 - 10	8N7-21486-00	13 - 4	8AT-23813-01	17 - 2
83R-11161-00	1 - 3	8K2-13178-00	2 - 22	3G2-14231-78	7 - 12		28 - 25	8V9-21486-00	13 - 6	8G5-23814-00	17 - 3
83R-11162-00	1 - 10	8H8-13179-00	5 - 14	3G2-14231-79	7 - 12	8AT-17605-10	11 - 22	83M-21488-00	25 - 13	8K1-23814-00	17 - 4
83R-11181-00	1 - 4	821-13188-00	5 - 5	8M6-14261-00	7 - 5	8FA-17611-01	11 - 1	8GU-21641-00	44 - 8	8W9-23815-00	17 - 12
83R-11311-00	1 - 9	8G8-13342-00	5 - 16	89A-14265-00	7 - 20		46 - 2	8AT-21747-00	14 - 23	8W9-23817-00	17 - 13
89N-11351-00	1 - 12	8G8-13410-00	14 - 7	8X0-14358-00	7 - 23	8BV-17620-03	11 - 3	83R-21751-00	14 - 1	8AT-23818-00	15 - 20
8AT-11400-01	2 - 6	353-13552-01	4 - 6	83R-14425-00	6 - 28		46 - 4	863-21771-00	14 - 4	8AT-23821-00	17 - 19
83R-11412-01	2 - 7	8G8-13555-01	6 - 11	8H8-14431-00	6 - 18	8FG-17624-00	11 - 19	8AC-21910-01	15 - 1	8L0-2382E-01	16 - 40
8H8-11422-01	2 - 8	8Y7-13556-01	6 - 6	8H8-14441-00	6 - 19		47 - 8	8AC-21910-20	15 - 1	8L0-2382F-00	16 - 41
8H8-11432-01	2 - 9	83R-13565-00	6 - 7	83R-14453-00	6 - 15	8BV-17630-11	11 - 14	8AC-21912-00	15 - 6	8AT-23831-00	17 - 24
8AT-11442-00	2 - 10	8AT-13610-00	6 - 1	83R-14465-00	6 - 20		46 - 12	8AC-21912-10	15 - 6	86X-23841-00	17 - 20
8H8-11515-00	2 - 14	8AT-13613-00	6 - 2	8H8-14466-00	6 - 21	8V0-17639-00	11 - 2	89X-21917-00	15 - 28	87S-23845-01	17 - 25
8R6-11601-00	2 - 2	8H8-13616-00	6 - 3	8H8-14477-00	6 - 22		46 - 3	8AC-21933-00	15 - 63	87S-23847-01	17 - 21
8R6-11601-10	2 - 2	8AC-13947-00	7 - 30	8X0-14500-00	7 - 19	8ES-17640-01	11 - 8	81E-21945-00	15 - 2		17 - 26
8R6-11601-20	2 - 2	84R-14101-02	7 - 1	8K4-14610-00	8 - 1		46 - 8	8AT-2194Y-00	15 - 26	82M-23851-00	16 - 32
8R6-11631-00-95	2 - 1	86R-14101-02	7 - 1	82M-14613-01	8 - 2	89L-17641-02	11 - 26	83R-21955-00	15 - 4	8AT-23852-00	16 - 33
8H8-11633-00	2 - 3	84R-14101-10	7 - 1	83R-14710-04	8 - 5	8V0-17647-00	11 - 27	8AT-2195Y-00	15 - 27	8V0-23858-00	19 - 23
8R6-11635-00	2 - 1	22F-14117-00	7 - 21	83R-14728-01	8 - 6		46 - 17	8AC-21965-00	15 - 10		20 - 29
8R6-11636-00	2 - 1	8V0-14118-00	7 - 17	83R-14941-4E	7 - 11	8BW-17653-00	11 - 9	8AT-2196T-00	15 - 56	84M-23868-00	17 - 6
8R6-11651-00	2 - 12	80L-14122-00	7 - 18	1UF-14952-00	7 - 22		46 - 9	83R-21986-00	15 - 7	83R-23870-00	18 - 1
8A7-11685-00	2 - 23	127-14124-20	7 - 26	8H8-15100-02	9 - 1	88R-17660-03	12 - 1	83R-21987-00	15 - 8	84M-23872-00	17 - 7
8H8-12611-01	3 - 14	89A-14125-00	7 - 18	3Y1-15363-10	29 - 20	8AT-17670-01	12 - 2	83R-2198F-00	15 - 5	8AT-23883-01	18 - 2
8H8-12612-00	3 - 21	8M6-14126-00	7 - 4	8AT-15416-00	5 - 1	88N-17680-02	12 - 11	8M6-2198F-00	15 - 23	8AT-23884-01	18 - 3
8L0-12616-00	3 - 34	2J2-14133-00	7 - 19	8K4-15426-00	5 - 10	83R-17682-00	28 - 12	8AC-2198G-00	15 - 59	8AC-23894-01	17 - 9
8H8-12618-01	3 - 22	8X0-14133-00	7 - 28	8H8-15710-00	10 - 1	8AT-17684-01	12 - 9	8M6-21998-00	15 - 24	83R-24111-00	20 - 1
8H8-12619-01	3 - 16	82A-14134-00	7 - 2	8H8-15711-00	10 - 2	8X6-17688-00	12 - 3	8AT-2199G-01	15 - 48	8AC-24111-10	19 - 1
88F-12621-02	3 - 1	127-14135-00	7 - 14	8F3-15713-01	10 - 5	52G-18113-00	29 - 25	8AT-2199H-00	30 - 69	8FP-24114-00	19 - 10
8AC-1262A-E0	3 - 40	193-14142-90	7 - 16	8F3-15714-01	10 - 3	83R-18116-00	29 - 44	8AT-22401-00	16 - 19	8AC-2414B-01	31 - 4
8AC-1262A-R1	3 - 40	3G2-1414E-56	7 - 12	8F3-15715-00	10 - 6	89N-18130-01	29 - 10	89L-22493-00	16 - 22	8AC-24181-00	19 - 11
8Y0-12637-02	3 - 35	193-1414F-00	7 - 16	8G5-15716-00	10 - 15	83R-18150-00	29 - 24	4XV-2341B-00	32 - 9	83R-2419A-00	35 - 29
8H8-12651-02	3 - 23	802-14161-00	7 - 27	8F3-15716-03	10 - 9	83R-18153-00	29 - 30	8AC-23711-00	16 - 1	8AC-2419A-00	35 - 29
8H8-12652-00	3 - 33	8A7-14169-00	7 - 24	8H8-15723-01	10 - 18	3X3-18156-10	29 - 45	8DM-23712-00	16 - 2	8AC-24301-00	19 - 4
8H8-12658-00	3 - 25	8G8-14171-00	7 - 15	8F3-15734-00	10 - 8	3X3-18157-10	29 - 40	8EN-23731-01	16 - 4	84M-24327-00	6 - 40
8Y0-12658-00	3 - 3	8G8-14174-00	7 - 13	8G5-15739-00	10 - 12	83R-1815A-00	29 - 26	88T-23743-00	16 - 12		14 - 14
8H8-12659-00	3 - 26	8U9-14174-00	7 - 13	8F3-15739-01	10 - 7	59V-18174-00	29 - 27	8EK-23751-00	16 - 5	81E-24328-00	19 - 22
8H8-12669-00	3 - 27	8AT-1417E-00	33 - 5	8F3-15741-01	10 - 4	83R-18341-00	29 - 31	8AC-23754-00	16 - 3		20 - 28
8V8-12678-00	3 - 28	8X0-14184-00	7 - 20	8F3-15751-00	10 - 13	59V-18433-00	29 - 37	8AC-23765-00	16 - 11	83R-24335-00	20 - 13
8AT-12679-00	3 - 30	8M6-14185-00	7 - 10	8F3-15755-00	10 - 14	83R-18511-00	28 - 37	83R-23768-00	26 - 19	8AC-24335-00	19 - 7
8Y0-12679-00	3 - 2	68V-14186-00	7 - 9	83R-17121-00	28 - 6	83R-18531-00	28 - 38	8AC-2376A-00	16 - 18	813-24336-00	20 - 17
8Y0-12687-02	3 - 36	8M6-14186-00	7 - 9	8AT-17131-00	28 - 11	89N-18540-00	29 - 2	84M-2376E-00	16 - 51	801-24376-00	14 - 6
8AT-13101-00	4 - 1	83R-14190-15	7 - 8	8AT-17141-00	28 - 19	59V-18561-00	29 - 29	8AT-2376J-00	16 - 29	82M-24376-00	19 - 13
8Y0-13116-01	4 - 17	214-14195-00	7 - 7	83R-17143-00	28 - 26	8H8-21411-01	13 - 1	8L0-2376R-00	16 - 30		20 - 19
8K4-13119-00	5 - 18	286-14198-00	7 - 6	83R-17151-00	28 - 20	8AT-21417-00	13 - 15	82M-23777-00	16 - 20	878-24379-00	19 - 25
137-13137-00	4 - 11	620-14211-00	7 - 3	83R-17153-00	28 - 36	8H8-21418-01	13 - 16	82M-23779-00	16 - 25		20 - 31
137-13138-01	4 - 10	8AC-14211-00	7 - 3	83R-17243-00	28 - 35	83R-21419-00	13 - 2	84M-2377E-00	16 - 52	8AT-24410-00	6 - 29
8A5-13146-01	4 - 19	80L-14227-00	7 - 25	85R-17421-00	28 - 2	8H8-21427-00	13 - 17	8L0-23788-00	16 - 23	89A-24529-00	7 - 28
137-13148-00	5 - 7	3G2-14231-27	7 - 12	83R-17431-00	28 - 17	8H8-21429-01	13 - 3	8AU-23811-10	17 - 1	8H5-24560-00	20 - 15

NUMERICAL INDEX

PART NO.	REF. NO.	PART NO.	REF. NO.	PART NO.	REF. NO.	PART NO.	REF. NO.	PART NO.	REF. NO.	PART NO.	REF. NO.
J58-24560-00	19 - 6	88T-27441-10	15 - 66	8AC-47478-00	26 - 24	83R-77144-00	35 - 12	8AT-77523-00	34 - 16	84N-81832-51	37 - 3
8AC-24610-00	19 - 2	85L-28100-00	15 - 70	8DM-47479-00	24 - 33	83R-7714A-00	30 - 25	8AT-77523-10	34 - 16	8L6-81833-50	37 - 19
8W6-24611-00	20 - 2	4B5-2815K-00	32 - 6	8AC-47480-30	25 - 61	8AT-77153-00	30 - 16	8AT-77524-00	34 - 17	8L6-81834-50	37 - 13
8CW-24612-00	19 - 3	4B5-2815K-10	32 - 7	8AC-47480-40	25 - 61	8AT-77154-00	30 - 17	8AT-77524-10	34 - 17	8L6-81835-50	37 - 18
813-24613-01	20 - 3	4B5-2815K-20	32 - 7	8AC-47480-50	25 - 61	8U1-77157-00	34 - 26	8X0-77525-00	34 - 30	8BB-81836-00	37 - 16
83M-24628-00	20 - 8	8AC-2815P-E0	30 - 65	8AC-47481-00	25 - 28	838-77159-00	30 - 64	8AT-77526-00	15 - 21	8L6-81840-50	37 - 9
8F7-24641-00	20 - 4	8AC-2815P-J0	30 - 65	83R-47485-02	25 - 18	8CR-77165-00	15 - 41	8X0-77526-00	34 - 31	4H7-81843-50	37 - 17
8AC-2470F-00	21 - 2	8AC-2815P-S0	30 - 65		25 - 56	8V0-77171-00	30 - 58	8AT-77527-01	15 - 19	4H7-81844-50	37 - 12
85R-2471A-00	15 - 54	8AC-4631K-00	25 - 62	8AT-47486-00	24 - 13	8M6-77175-00	30 - 71	8AT-77529-00	34 - 4	73A-81847-00	37 - 6
83R-24729-00	21 - 3	8AC-47110-10	24 - 1	8AC-47488-10	25 - 40	83R-7717E-00	15 - 44	8AC-77540-00	34 - 18	8L6-81847-50	37 - 15
8AC-24730-00	21 - 1	8AC-47113-09	24 - 2	8CR-47494-01	25 - 69	83R-7717F-00	15 - 45	8AT-77551-01	34 - 7	8Y3-81850-50	37 - 2
8AT-24778-00	21 - 5	8AC-47115-09	24 - 3	8CV-47495-00	25 - 24	82M-7717G-00	30 - 12	8AT-77552-00	34 - 6	8BB-8185A-00	37 - 20
8AC-24790-10	21 - 7	8AC-47310-10	25 - 79	83R-47520-10	24 - 24	83R-77185-00	30 - 28	8AT-77553-00	34 - 8	4H7-81872-00	37 - 7
4KN-24877-C0	34 - 28	87M-47320-00	24 - 8		24 - 8	83R-77186-00	30 - 40	8X0-77571-00	34 - 29	82M-81910-A0	42 - 15
8FM-24897-01	34 - 28		24 - 14	8K2-47530-00	24 - 28	83R-77194-00	30 - 36	80M-77591-00	34 - 37	50W-81940-10	42 - 28
8FM-24897-11	34 - 28		24 - 42	87R-47541-00	29 - 1	8AT-77196-00	30 - 70	86D-77591-00	34 - 24	8AC-81970-00	42 - 26
87R-25721-00	22 - 10	8AC-47320-00	24 - 20	83R-47543-00	28 - 1	86V-77210-10	32 - 1	84R-77592-00	34 - 24	5E3-82110-81	42 - 21
87R-25722-00	22 - 13	8U7-47320-00	24 - 25	85R-47544-01	29 - 17	83R-77212-00	30 - 49	83R-77595-00	34 - 34	8R4-82113-00	41 - 4
87R-25726-01	22 - 4	8AC-47331-00	25 - 12	83R-47548-00	28 - 49	87S-77213-10	32 - 2	86V-77711-00	35 - 1	88N-82115-00	42 - 30
87R-25730-01	22 - 2	8AC-47332-00	25 - 46	8AC-47550-00	24 - 23	8AC-77231-40	30 - 48	83R-77712-00	35 - 22	88N-82116-00	37 - 23
86M-25733-00	22 - 14	8FM-47333-00	26 - 6	83R-47551-00	27 - 5	8AC-77231-50	30 - 48	83R-77728-00	35 - 24	83R-82117-01	37 - 22
86M-25738-00	22 - 3	83R-47335-00	26 - 21	83R-47571-00	29 - 13	83R-77241-00	30 - 45	83R-77731-00	35 - 20	84N-82122-00	42 - 31
87R-25743-00	22 - 12	83R-47337-00	26 - 1	8K4-47577-00	27 - 2	86V-77251-01	30 - 52	83R-77740-00	35 - 23	4J2-82131-01	15 - 3
86M-25744-00	22 - 16	8AC-47341-00	25 - 9	8AT-47578-00	29 - 47	87R-77251-01	30 - 52	83R-77741-00	35 - 9	8Y7-82133-00	42 - 33
86M-25771-00	22 - 7	8AC-47349-00	25 - 93	88N-47591-00	29 - 18	8AT-77261-00	30 - 3	87A-77741-00	35 - 6	8AC-82136-10	42 - 32
86M-25772-00	22 - 8	8AC-47366-00	25 - 77	85R-47592-00	29 - 22	8AT-77262-00	30 - 4	8V0-77741-20	35 - 2	8BE-82150-00	42 - 24
86M-25773-00	22 - 6	8DF-47367-00	25 - 90	83R-47612-00	28 - 42	8AT-77263-00	30 - 5	87A-77742-00	35 - 5	42X-82151-00	42 - 25
89J-25811-00	22 - 18	8AC-47411-10	25 - 1	83R-47613-00	28 - 39	8AT-77264-00	30 - 6	8U9-77742-00	35 - 3	5JJ-82151-50	44 - 5
86M-25818-00	22 - 9	8AC-47414-10	25 - 2	88N-47631-00	12 - 12	8AT-77265-00	30 - 7	87A-77743-00	35 - 4	88T-82310-01	42 - 1
86M-25826-00	22 - 11	8AC-47416-01	25 - 39	83R-47700-00	38 - 14	8AT-77266-00	30 - 8	87A-77745-00	35 - 7	87L-82318-00	42 - 38
86M-25827-00	22 - 5	8AC-47417-00	25 - 54	8K4-47715-00	38 - 15	8AT-77267-00	30 - 9		35 - 7	89L-82318-00	41 - 26
83R-25831-00	22 - 1	8AC-47418-00	25 - 34	8AC-77111-40	30 - 1	8AT-77268-00	30 - 10	8AC-77761-00	35 - 8	8AC-82355-00	42 - 36
86M-25833-00	22 - 15	8CM-47419-10	24 - 4	8AC-77111-50	30 - 1	8AT-77269-00	30 - 11	87R-77761-10	35 - 8	8AC-8235W-00	42 - 22
89J-25911-00	22 - 19		24 - 38	83R-77118-01	30 - 63	8AT-77271-00	15 - 36	8AC-77761-10	35 - 8	861-82361-00	42 - 4
8DX-26240-01	23 - 8	8AC-47421-00	25 - 3	8AC-7711A-30	31 - 2	8AC-77272-00	15 - 37	8AC-77761-R1	35 - 8	8K1-82370-20	42 - 5
8E1-26280-00	45 - 2	8ED-47422-00	25 - 5	8AC-7711A-40	31 - 2	8AT-77273-10	15 - 38	86D-77762-00	33 - 3	8G5-82372-00	42 - 6
8E1-26290-00	45 - 3	8AC-47424-00	26 - 4	8AC-7711B-30	31 - 3	8AT-77274-00	15 - 39	8BD-77762-00	33 - 3	8AC-82509-00	42 - 19
83R-26311-02	23 - 1	83R-47446-00	26 - 22	8AC-7711B-40	31 - 3	8AT-77275-00	15 - 40	8BD-77762-21	33 - 3	8AC-82509-10	44 - 4
8L8-26320-04	4 - 21	8CR-47448-00	25 - 22	8AC-7711C-00	31 - 5	8AT-77311-00	33 - 1	8AC-77762-R1	33 - 3	8K1-82510-20	42 - 9
8U9-26325-00	23 - 6	8AC-47457-00	25 - 8	8AC-7711C-10	31 - 5	8AT-77319-00	33 - 4	81L-81313-M0	36 - 4	8R4-8252V-00	41 - 8
83R-26331-01	23 - 4	8AX-47458-00	25 - 10	8AT-77121-00	30 - 20	83R-77327-00	33 - 2	81L-81314-M0	36 - 5	88R-82530-00	41 - 11
8G8-26333-00	23 - 5	8AC-4745A-10	25 - 80	8AT-77122-00	30 - 21	86V-77384-00	21 - 4	8BB-81800-01	37 - 1	4KD-82540-00	42 - 39
87R-26340-01	23 - 3	8CR-4745B-00	25 - 81	83R-77125-00	30 - 29	8AT-77511-01	34 - 1	73A-81811-00	37 - 4	8H8-82550-01	41 - 23
341-26397-01	19 - 12	8DF-47463-01	25 - 35	8AT-77125-00	30 - 13	8AT-77512-01	34 - 2	84N-81812-00	37 - 10	8H7-82552-01	41 - 25
	20 - 18	8DF-47464-01	25 - 36	83R-77131-01	35 - 13	83R-77515-00	30 - 37	8L6-81813-50	37 - 11	8H8-82557-00	41 - 24
	42 - 37	8AC-47465-00	25 - 16	83R-77132-01	35 - 14	8AT-77516-00	34 - 3	84U-81826-00	37 - 14	8AU-82575-09	41 - 14
85R-2639F-00	15 - 55	83R-47469-00	25 - 95	83R-77140-00	30 - 24	8AT-77521-00	34 - 12	73A-81829-00	37 - 8	526-82579-00	42 - 10
88T-27431-10	15 - 65	8AC-47475-00	25 - 47	83R-77144-00	30 - 44	8AT-77522-00	34 - 13	73A-81829-50	37 - 5	8AC-82590-10	42 - 18

NUMERICAL INDEX

PART NO.	REF. NO.	PART NO.	REF. NO.	PART NO.	REF. NO.	PART NO.	REF. NO.	PART NO.	REF. NO.	PART NO.	REF. NO.
8Y0-82599-00	36 - 13	36Y-84397-00	39 - 7	90105-10105	25 - 75	90201-04325	15 - 17	90201-10447	12 - 20	90249-03175	20 - 10
87S-8259A-01	7 - 29	8K4-84710-00	40 - 1	90105-10106	16 - 13		15 - 43	90201-106F2	25 - 85	90249-12216	28 - 44
8AU-82720-02	41 - 12	8K4-84711-00	40 - 3	90105-103A1	25 - 17	90201-043H5	15 - 25	90201-107G8	13 - 10	90261-06015	11 - 24
8BE-82917-00	42 - 14	838-84714-01	40 - 2		25 - 45	90201-043H7	30 - 35	90201-12317	13 - 12	90261-06019	11 - 24
8AU-82970-02	41 - 16	8AC-84717-01	42 - 20	90105-10433	24 - 19		30 - 68	90201-144J2	29 - 33	90261-06033	11 - 24
3MX-83371-11	44 - 2	8K4-84718-00	40 - 7		25 - 21	90201-047A2	35 - 18	90201-171J5	28 - 30	90267-40029	15 - 22
87L-83383-01	42 - 11	8K4-84721-00	40 - 4		25 - 37	90201-047R8	25 - 7	90201-17713	3 - 13	90267-40172	15 - 57
8AC-833A0-00	44 - 1	87M-84723-00	40 - 6		25 - 50	90201-05029	30 - 56		3 - 19	90267-47186	15 - 60
85L-83509-00	38 - 10	86R-85110-00	43 - 1		25 - 55	90201-05033	32 - 5	90201-205R6	24 - 35		15 - 64
	38 - 10	8GM-85110-00	43 - 1	90105-10436	25 - 73	90201-05036	44 - 9	90201-20792	28 - 16		44 - 10
86V-83510-20	38 - 1		43 - 6	90105-10739	25 - 72	90201-054K4	35 - 26		28 - 28	90267-48014	23 - 10
4R0-83517-00	38 - 3		44 - 11	90105-10769	24 - 5	90201-06042	30 - 54	90201-207J5	25 - 42	90267-48018	15 - 16
	38 - 11	3Y6-85130-02	43 - 6	90105-14367	29 - 8	90201-06043	36 - 15	90201-210U0	25 - 14		15 - 42
	38 - 11	81L-85520-M0	36 - 3	90105-27484	28 - 50	90201-06072	29 - 4	90201-224L4	28 - 8		30 - 22
8G6-83523-00	38 - 4	8AU-85540-00	42 - 7	90109-065E6	6 - 27	90201-063A5	15 - 51		28 - 14		34 - 14
8V7-83536-40	38 - 2	2A7-85546-00	42 - 8	90113-06039	16 - 53	90201-064J1	29 - 35		28 - 22	90267-48051	15 - 15
85L-83540-00	38 - 9	8AT-85550-01	36 - 1	90116-08104	1 - 5	90201-06557	30 - 41	90201-225L2	28 - 23	90267-48060	15 - 14
	38 - 9	8AT-85560-00	36 - 2	90116-08302	1 - 13		30 - 46	90201-250T6	25 - 49		21 - 6
8H4-83560-00	38 - 8	8R4-85580-M0	36 - 6	90119-05005	19 - 9		30 - 50	90201-252F1	12 - 17	90267-48079	30 - 34
8K1-83603-00	38 - 7	8GJ-W176G-01	46 - 1	90119-06108	3 - 32		30 - 60	90201-25526	12 - 17	90267-48086	34 - 35
85G-83663-00	41 - 20	8ET-W176H-00	47 - 1	90122-05022	30 - 30	90201-06747	25 - 26	90201-25527	12 - 17	90267-48149	34 - 15
8AC-8366G-00	43 - 3	8E1-W2628-00	45 - 1	90149-08230	34 - 9	90201-06778	15 - 50	90201-257G7	13 - 9	90267-48194	25 - 6
8AC-8366P-00	43 - 4	8FM-W4741-10	26 - 2	90151-06010	25 - 4	90201-067A0	15 - 62	90201-257J2	12 - 18	90267-48199	25 - 11
8H8-83912-00	41 - 2		26 - 3		26 - 5	90201-067F9	16 - 34	90201-266L1	25 - 48	90267-49152	15 - 9
802-83913-00	41 - 7	83R-W4751-10	27 - 1	90154-05047	32 - 3	90201-08050	19 - 14	90201-286K9	25 - 52	90269-05039	30 - 38
8R6-83928-00	41 - 15	83R-W4753-01	27 - 3	90154-06050	29 - 19	90201-080L1	16 - 28	90201-33299	2 - 18	90269-05051	3 - 37
437-83936-01	23 - 9	8AT-W7726-00	30 - 2	90154-06062	12 - 4	90201-08100	1 - 8	90201-345G2	12 - 6	90269-05055	35 - 21
	39 - 19	88R-W8291-00	41 - 1	90157-05027	41 - 3	90201-08624	4 - 14	90201-535H6	16 - 38		35 - 28
	44 - 7	8K4-W8393-00	41 - 6	90159-05129	36 - 8	90201-08649	26 - 18	90201-536A1	16 - 38	90280-05014	2 - 24
8K4-83950-01	41 - 10	90101-08005	17 - 10	90159-05130	36 - 7	90201-086P8	16 - 9	90202-05088	30 - 33		2 - 27
85G-83956-00	41 - 21	90101-08774	24 - 12	90170-08220	16 - 26	90201-08759	17 - 33	90202-08204	11 - 21		3 - 15
8AU-83963-00	41 - 13		24 - 46	90170-08261	29 - 43	90201-08766	39 - 17		46 - 16	90338-21075	4 - 2
8FR-83976-02	44 - 3	90101-10357	28 - 48	90170-10186	17 - 23	90201-08784	16 - 8	90202-09227	11 - 18	90338-30219	28 - 55
88T-8399F-00	41 - 22	90101-10738	25 - 31		17 - 28		19 - 16		46 - 15	90338-44093	15 - 34
498-84145-60	39 - 8	90102-10039	16 - 46	90170-16425	2 - 28		20 - 21		47 - 7	90380-10129	13 - 8
498-84163-60	39 - 10	90102-10044	17 - 32		3 - 20	90201-100L3	24 - 6	90202-14037	16 - 49	90380-16109	26 - 13
498-84164-60	39 - 9	90102-10067	16 - 47	90170-25367	27 - 8		24 - 18	90202-16231	25 - 83	90380-22232	25 - 88
84R-8430A-A0	39 - 1		17 - 29	90176-05059	32 - 4		24 - 40	90202-16232	25 - 84	90380-28235	25 - 89
83R-8430A-G0	39 - 1	90105-05644	11 - 6	90176-08063	34 - 33		25 - 20	90202-22238	26 - 10	90380-28237	11 - 15
83R-8430M-00	39 - 11		11 - 12	90179-08268	1 - 14	90201-100S7	16 - 15	90206-11016	5 - 6		47 - 6
2F9-84314-00	39 - 6		46 - 6	90179-08269	1 - 7	90201-100U1	25 - 65	90208-25045	27 - 7	90381-14101	25 - 29
51L-8431U-00	39 - 3		47 - 4	90179-10670	24 - 7		25 - 74	90209-24073	2 - 11		25 - 66
36Y-84324-00	39 - 5	90105-06405	29 - 5		24 - 41	90201-10119	5 - 17	90210-10004	28 - 46	90381-14109	25 - 70
26H-8432M-00	39 - 13	90105-06437	21 - 8	90185-08054	17 - 11	90201-10136	25 - 57	90214-17017	3 - 17	90381-19111	25 - 15
51L-84332-00	39 - 2	90105-08408	34 - 5	90185-10085	17 - 34		25 - 78	90214-17018	3 - 17	90381-22099	25 - 41
51L-84334-00	39 - 4	90105-08450	25 - 38	90185-10110	25 - 32	90201-101U2	25 - 91	90214-29060	12 - 7	90381-28108	25 - 51
36Y-84354-00	39 - 16	90105-08483	26 - 17	90185-10115	26 - 8	90201-10321	13 - 11	90215-39268	28 - 51	90384-14091	16 - 42
8AT-84359-00	39 - 18	90105-10029	24 - 39	90201-042E0	15 - 58	90201-103U4	25 - 64	90249-03017	20 - 11		16 - 54

NUMERICAL INDEX

PART NO.	REF. NO.	PART NO.	REF. NO.	PART NO.	REF. NO.	PART NO.	REF. NO.	PART NO.	REF. NO.	PART NO.	REF. NO.
90384-14096	16 - 43	90430-06016	28 - 54	90480-12012	35 - 30	92901-06100	10 - 10	93103-36117	15 - 33	94880-06070	29 - 11
90384-16251	25 - 82	90430-14194	29 - 9	90480-12314	42 - 23	92902-03100	6 - 5	93109-53036	16 - 37	95027-06040	5 - 12
90384-36134	15 - 31	90430-31003	14 - 5	90480-15061	15 - 35	92902-04100	36 - 10	93210-10010	29 - 34	95027-06055	5 - 13
90384-41242	11 - 4	90445-09033	6 - 36	90480-15268	34 - 36	92902-05100	38 - 6	93210-19123	29 - 21	95301-05600	4 - 13
	47 - 2	90445-092K1	6 - 36	90501-02217	4 - 4	92902-05200	41 - 9	93210-28763	29 - 14	95301-06700	10 - 11
90384-53175	16 - 36	90445-095F1	20 - 26	90501-084G9	6 - 34	92907-05100	4 - 16	93210-41041	19 - 8	95302-05600	38 - 5
90384-90081	12 - 5	90445-11068	19 - 24	90501-084J0	6 - 37		17 - 18	93306-00002	5 - 15	95307-05700	6 - 25
90386-08002	11 - 23	90445-11069	19 - 20	90501-101A7	29 - 28		30 - 32	93306-00444	24 - 9	95307-06600	30 - 43
90386-09001	11 - 20	90445-11070	6 - 39	90501-147A6	29 - 7	92907-05200	17 - 17		24 - 15		37 - 21
90387-0514T	11 - 5	90445-11073	6 - 33	90501-20130	20 - 5	92907-05600	6 - 24		24 - 21		40 - 11
	46 - 5	90445-114J9	20 - 30	90501-407E4	26 - 20		17 - 15		24 - 26	95307-08600	16 - 27
90387-0514U	11 - 11	90445-114K5	6 - 39	90501-556G6	11 - 25	92907-06100	30 - 42		24 - 43		34 - 11
	46 - 11	90445-115K6	20 - 25	90501-556G7	11 - 25		40 - 10	93306-00507	27 - 6	95307-08800	34 - 22
	47 - 3	90445-11735	6 - 33	90501-606G9	11 - 25	92907-06200	30 - 14	93306-20315	3 - 11	95307-10700	17 - 22
90387-060U0	35 - 11	90450-99050	6 - 17	90501-75612	16 - 21	92907-06600	6 - 10	93306-20321	28 - 18		17 - 27
90387-061U9	14 - 17	90460-56073	6 - 14	90506-06065	20 - 14		10 - 17		28 - 32		28 - 47
90387-06241	30 - 61	90460-68230	6 - 16	90506-20272	8 - 4		11 - 17	93306-20402	28 - 3	95317-08600	29 - 42
90387-06299	36 - 12	90461-08113	30 - 66	90507-16045	8 - 7		29 - 38		28 - 33	95380-05600	38 - 12
90387-063E6	15 - 68	90462-05059	15 - 13	90507-16046	8 - 8		30 - 19	93306-20469	24 - 29		38 - 12
90387-063W4	6 - 30	90462-10209	14 - 2	90508-10715	20 - 9		42 - 34	93306-20582	12 - 13	95602-05200	11 - 7
90387-066N1	40 - 9	90464-16039	4 - 22	90508-50746	12 - 10		46 - 14	93306-20617	2 - 19		11 - 13
90387-081R2	15 - 11	90464-16061	14 - 21	90793-26072	42 - 21	92907-08100	34 - 21	93306-20620	2 - 20		43 - 2
90387-082J1	26 - 16	90465-08125	15 - 47	91317-06025	29 - 39	92907-08200	34 - 10	93306-30627	2 - 16	95602-08200	8 - 3
90387-083G6	25 - 60	90465-08277	6 - 8	91401-16025	3 - 29		34 - 20	93306-30628	2 - 17	95607-05200	43 - 2
90387-084R1	16 - 24	90465-08316	6 - 31		3 - 31	92907-08600	3 - 5	93306-37206	28 - 4		46 - 7
90387-1009S	25 - 63		12 - 22	91401-20020	16 - 17		3 - 7	93306-90802	29 - 15		47 - 5
90387-100A4	16 - 45	90465-08368	15 - 12		16 - 50		3 - 9	93310-320G0	2 - 5	95607-06100	14 - 16
90387-100X3	25 - 71	90465-10098	40 - 8	91401-25020	17 - 31		6 - 13	93310-524K4	2 - 13	95607-06200	42 - 13
90387-1014Y	26 - 11	90465-10189	23 - 2	91609-25050	20 - 7		12 - 16	93311-42265	28 - 7	95607-08200	24 - 11
90387-101Y9	16 - 44	90467-08017	14 - 22	91609-30008	26 - 12		16 - 57	93315-21227	28 - 43		24 - 45
90387-105G5	25 - 30	90467-09026	6 - 38	91609-30010	2 - 15		34 - 40	93317-22021	28 - 27		25 - 58
	25 - 76		14 - 9		23 - 7		39 - 15	93317-32241	28 - 13		26 - 15
90387-105G6	25 - 19		19 - 19	91609-30016	20 - 6	92907-10600	24 - 37		28 - 21		34 - 27
90387-106J3	16 - 16		20 - 24	91609-50032	11 - 10	92907-16100	2 - 29	93410-25017	12 - 19	95607-10100	25 - 33
90387-121E8	28 - 41	90467-11009	6 - 42		46 - 10		3 - 18	93410-52061	16 - 39		25 - 68
90387-1404R	25 - 67		19 - 17	91830-22016	9 - 2		11 - 28	93430-02001	20 - 12	95607-10200	16 - 14
90387-145T7	29 - 32		20 - 22	91A20-05065	20 - 26		46 - 18	93440-34170	12 - 8		25 - 92
90387-1815A	26 - 9	90467-11032	6 - 35	91A20-05145	19 - 21	92990-05100	38 - 13	93440-78069	2 - 25	95607-14200	24 - 36
90387-2004V	25 - 43		6 - 41		20 - 27		38 - 13	93450-21053	2 - 4		25 - 97
90387-200U9	24 - 31		14 - 8	91A30-03042	4 - 5	92990-06600	42 - 3	93503-08007	29 - 6	95612-08318	1 - 11
90387-203H0	25 - 96		19 - 5	91A30-05004	14 - 15	93101-10001	5 - 2	93505-32002	4 - 3	95617-08640	16 - 56
90387-205T6	24 - 32		19 - 18	91A30-05010	14 - 10	93102-15212	29 - 3	93603-22028	5 - 9	95617-08655	16 - 55
90387-220X0	23 - 11		20 - 16	91A30-05052	14 - 19	93102-20010	28 - 34	93604-07141	9 - 3	95702-05300	41 - 5
90387-226V7	28 - 15		20 - 23	91A30-05060	14 - 20	93102-22014	28 - 5	93612-44229	28 - 40	95702-05500	43 - 7
90387-2515E	25 - 53	90468-02025	4 - 7	91A30-05085	14 - 12	93102-36232	15 - 32	93700-06004	16 - 35	95707-04300	35 - 19
90387-405T8	29 - 12		4 - 18	91A30-05120	14 - 11	93102-46394	29 - 16		25 - 87	95707-04500	45 - 5
90387-514Y2	27 - 4	90468-10003	30 - 31	91A30-07016	14 - 13	93103-32095	2 - 21	94702-00188	1 - 2	95707-05300	15 - 30
90430-04004	4 - 8	90480-10348	15 - 53	92901-05100	4 - 12	93103-32156	2 - 26	94709-00188	1 - 2		30 - 57

NUMERICAL INDEX

PART NO.	REF. NO.	PART NO.	REF. NO.	PART NO.	REF. NO.	PART NO.	REF. NO.	PART NO.	REF. NO.	PART NO.	REF. NO.
95707-05300	35 - 27	95827-08014	27 - 9	98507-06010	6 - 26						
95707-06300	15 - 52		34 - 19	98507-06020	30 - 18						
	15 - 61	95827-08016	9 - 8	98707-04016	35 - 17						
	25 - 27		10 - 19	98707-05016	30 - 55						
	30 - 15	95827-08020	34 - 23	98902-04020	4 - 9						
	30 - 27		34 - 25	98904-06016	30 - 26						
	30 - 47	95827-08025	34 - 38	98907-05012	30 - 53						
	30 - 51	95827-08040	29 - 23	98907-05014	15 - 29						
	35 - 16	95827-08055	17 - 5	98907-05016	35 - 25						
	42 - 17	95827-08075	9 - 4	98907-06008	28 - 53						
	42 - 35	95827-08085	9 - 5	98907-06010	14 - 3						
95707-06500	6 - 32	95827-08220	25 - 59	98907-06014	30 - 39						
	15 - 69	95827-10050	22 - 17	98907-06016	15 - 18						
	29 - 36	97007-06010	28 - 52		35 - 10						
	29 - 41	97007-06014	10 - 16		36 - 14						
	29 - 46		42 - 16	98907-06025	3 - 38						
	30 - 62	97007-06025	25 - 25		15 - 67						
	42 - 29	97007-08025	6 - 12		30 - 59						
95707-08300	16 - 10	97007-08040	39 - 14	98907-06035	30 - 72						
	16 - 58	97017-06030	11 - 16	99001-04600	41 - 19						
	19 - 15		46 - 13	99009-10400	5 - 8						
	20 - 20	97027-06020	16 - 31	99009-12400	28 - 45						
95707-08500	1 - 6	97027-06025	6 - 9	99009-20400	24 - 17						
	25 - 23		15 - 49		25 - 44						
95707-10300	16 - 48	97027-08020	12 - 15		28 - 29						
	17 - 30	97027-08040	3 - 4	99009-22400	28 - 9						
	24 - 34	97027-08055	3 - 6		28 - 24						
95707-10500	13 - 13		16 - 6	99009-40500	3 - 12						
95707-12300	26 - 23	97027-08075	3 - 8	99009-42500	24 - 10						
95707-12500	13 - 14		3 - 10		24 - 16						
95717-08300	34 - 39	97027-08100	16 - 7		24 - 22						
95807-06012	15 - 46	97027-10025	25 - 86		24 - 27						
95807-06016	14 - 18	97701-40130	40 - 5		24 - 44						
	35 - 15	97706-30620	41 - 17	99009-47500	24 - 30						
95807-06020	42 - 27	97706-30630	41 - 18	99009-52500	12 - 14						
95807-06025	3 - 39	97707-40616	39 - 12	99246-00080	3 - 24						
95807-08016	18 - 4	97707-50014	30 - 67	99246-00120	32 - 8						
95807-08040	34 - 32	97707-50016	30 - 23	99246-00200	31 - 1						
95817-08035	26 - 14	97880-06020	42 - 2	99530-08016	5 - 11						
95817-10020	12 - 21	98502-03008	6 - 4	99530-10114	28 - 57						
95817-10030	26 - 7	98502-04008	36 - 11								
95817-10045	13 - 7	98502-04012	36 - 9								
95822-06012	43 - 5	98507-04016	45 - 4								
95822-06016	44 - 6	98507-04018	4 - 20								
95827-06016	42 - 12	98507-05008	17 - 16								
95827-06030	9 - 6	98507-05016	4 - 15								
95827-06035	28 - 58		6 - 23								
95827-06045	28 - 56	98507-05030	17 - 14								