



PARTS CATALOGUE

VK540EB (8JN1) RUSSIAN FEDERATION



1N8JN-370E1

()

VK540EB
PARTS CATALOGUE
©2013 by Yamaha Motor Co., Ltd.
1st edition, May 2013
All rights reserved.
Any reprinting or unauthorized use
without the written permission of
Yamaha Motor Co., Ltd.
is expressly prohibited.
Printed in Japan.

FOREWORD

This Parts Catalogue is related to the parts for the model(s) on the cover page. When you are ordering replacement parts, please refer to this Parts Catalogue and quote both part numbers and part names correctly.

1. Modifications or additions which have been made after the issue of the Parts Catalogue will be announced in the Parts News.

It is advisable that you make the necessary corrections to the Parts Catalogue according to the Parts News.

2. Abbreviations

The following abbreviations are used in this Parts Catalogue.

“UR” Use specified parts number.

“UN” Use as many as needed.

“AP” Alternate Parts

“LM” Locally Made (Parts need to be ordered locally)

“F#” Frame No. (Applicable machine No.)

“O/S” Over Size

3. The number of components for assembly

- Parts, which are to be supplied in an assembly, are listed with a dot (.) in front of the part name as shown below.
- The numeral appearing to the right of each component part indicates the quantity of parts for each assembly unit.

PART NO.	DESCRIPTION	Q'TY	REMARKS
2F5-83310-60	FRONT FLASHER LIGHT ASSY	2	
115-83311-60	.BULB (6V-18W)	1	

4. Applicable colours of graphics are represented in the “REMARKS” as shown below.

PART NO.	DESCRIPTION	Q'TY	REMARKS
2N4-24110-00-X5	FUEL TANK COMP.	2	MXR
3J1-24240-10	.GRAPHIC, FUEL TANK	1	FOR MXR

5. Note that the illustrations for reference in finding parts numbers are not to be used for assembling. When assembling, please use the applicable service manual.

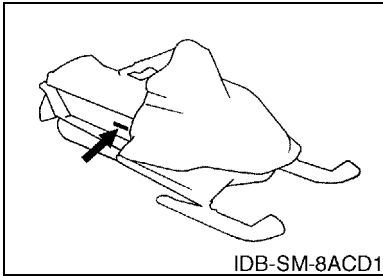
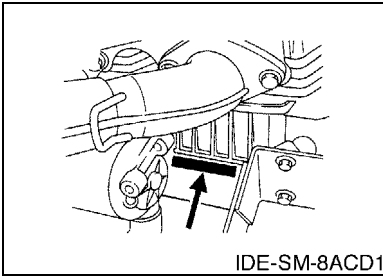
6. The asterisk (*) before a reference number indicates modified items after the first edition.

FOREWORD

7. Applicable Serial No.

Engine Serial No.

Frame Serial No.



10. Applicable Starting Serial No.

Frame Serial No.

Serial No.	Name Of Q'ty Column	Model Code
JYE8JN004EA000155	8JN1	8JN1

8. Applicable Colour Code (The (*) mark shows Model colour.)

Abbreviation	Colour Name	Colour Code
SMX(*)	BLACK METALLIC X	0903

9. Quantity Column Information

Column No.	Name Of Q'ty Column	Destination
1	8JN1	RUSSIAN FEDERATION

CONTENTS

ENGINE

CYLINDER HEAD	1
CRANKSHAFT & PISTON	2
AIR SHROUD & FAN	4
INTAKE	6
CARBURETOR	8
EXHAUST	10
CRANKCASE	11
STARTER	12

DRIVE

PRIMARY SHEAVE	13
SECONDARY SHEAVE	15

BODY

ENGINE BRACKET	16
FRAME	17
SKI	20
STEERING	22
STEERING GATE	24
FUEL TANK	25
SEAT	27
BRAKE	28
CONTROL CABLE	29
TRACK SUSPENSION 1	30
TRACK SUSPENSION 2	33
TRACK SUSPENSION 3	36
TRACK DRIVE 1	38
TRACK DRIVE 2	39
TRACK DRIVE 3	42
SHROUD	44
EMBLEM	47
WINDSHIELD	48
GUARD & LUGGAGE BOX	49
BUMPER	50
INSTRUMENT PANEL	51

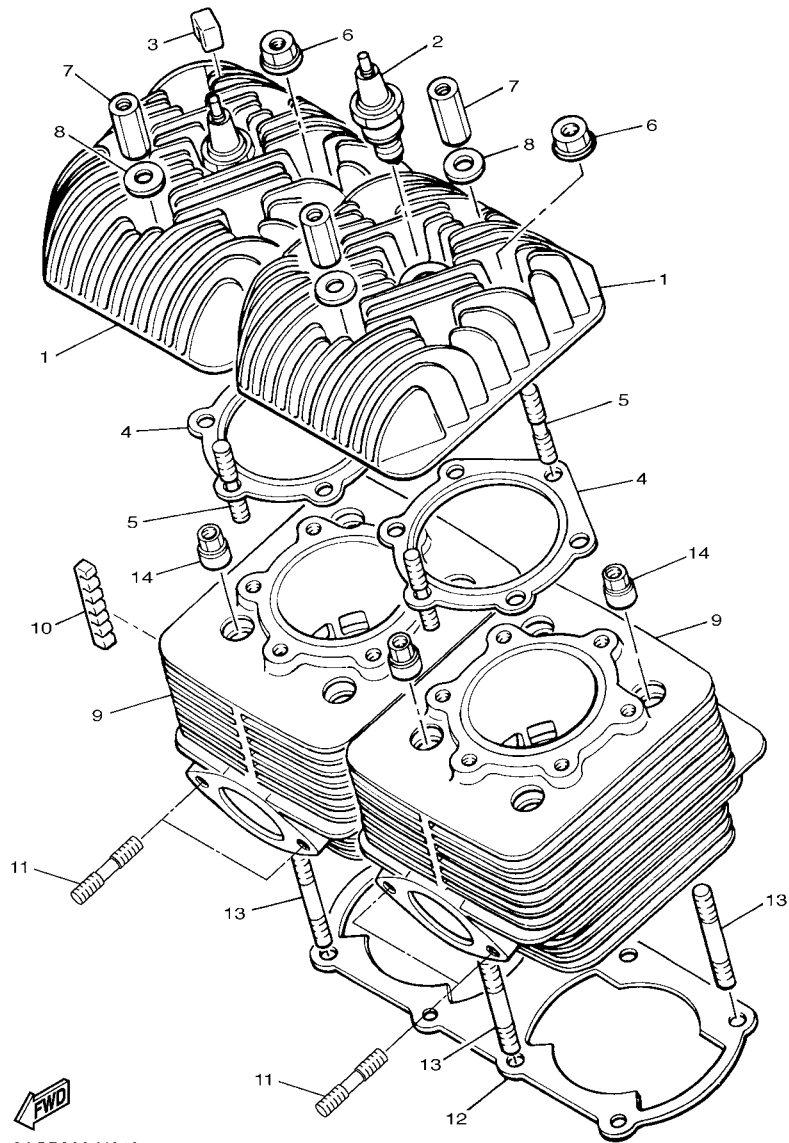
ELECTRICAL

GENERATOR	53
METER	54
HEADLIGHT	55
TAILLIGHT	56

HANDLE SWITCH & LEVER	57
ELECTRICAL 1	58
ELECTRICAL 2	59
ALTERNATE REAR VIEW MIRROR	60
ALTERNATE REBUILD KIT	61
ALTERNATE CLUTCH TUNE UP KIT	62

INDEX

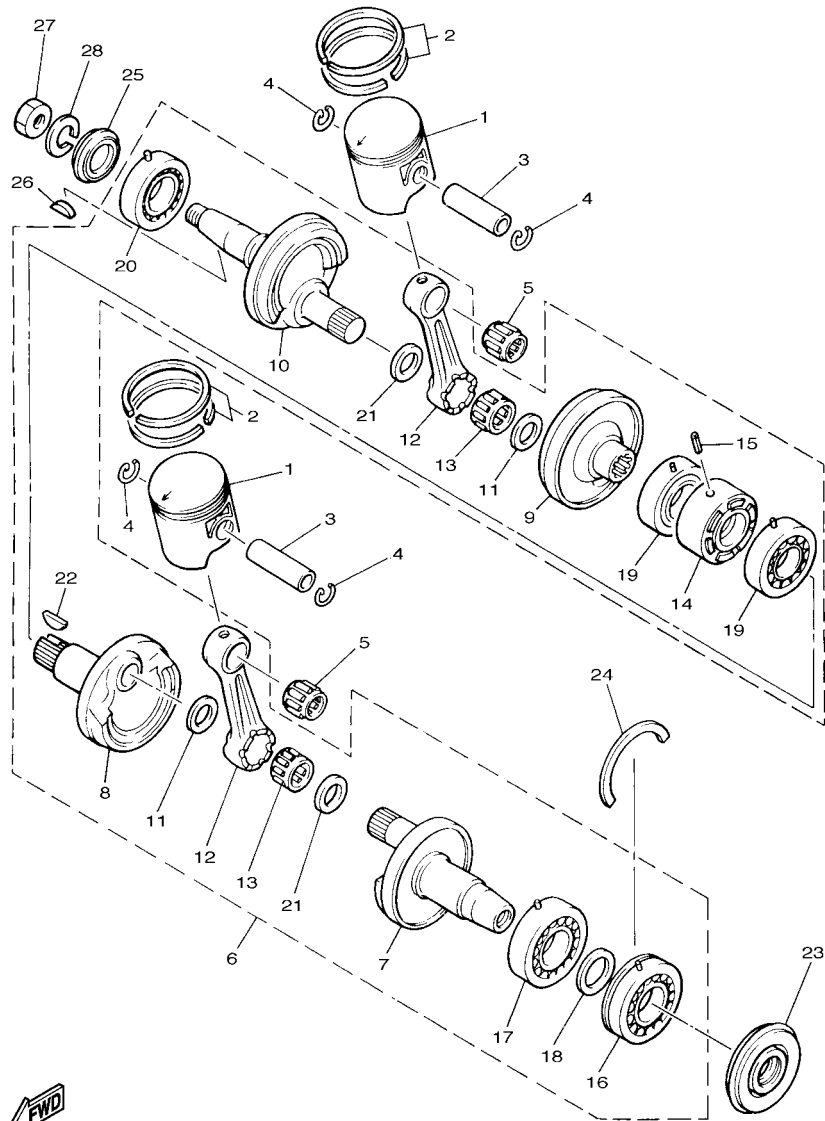
NUMERICAL INDEX	63
-----------------------	----



8ACP300-H010

FIG. 1 CYLINDER HEAD

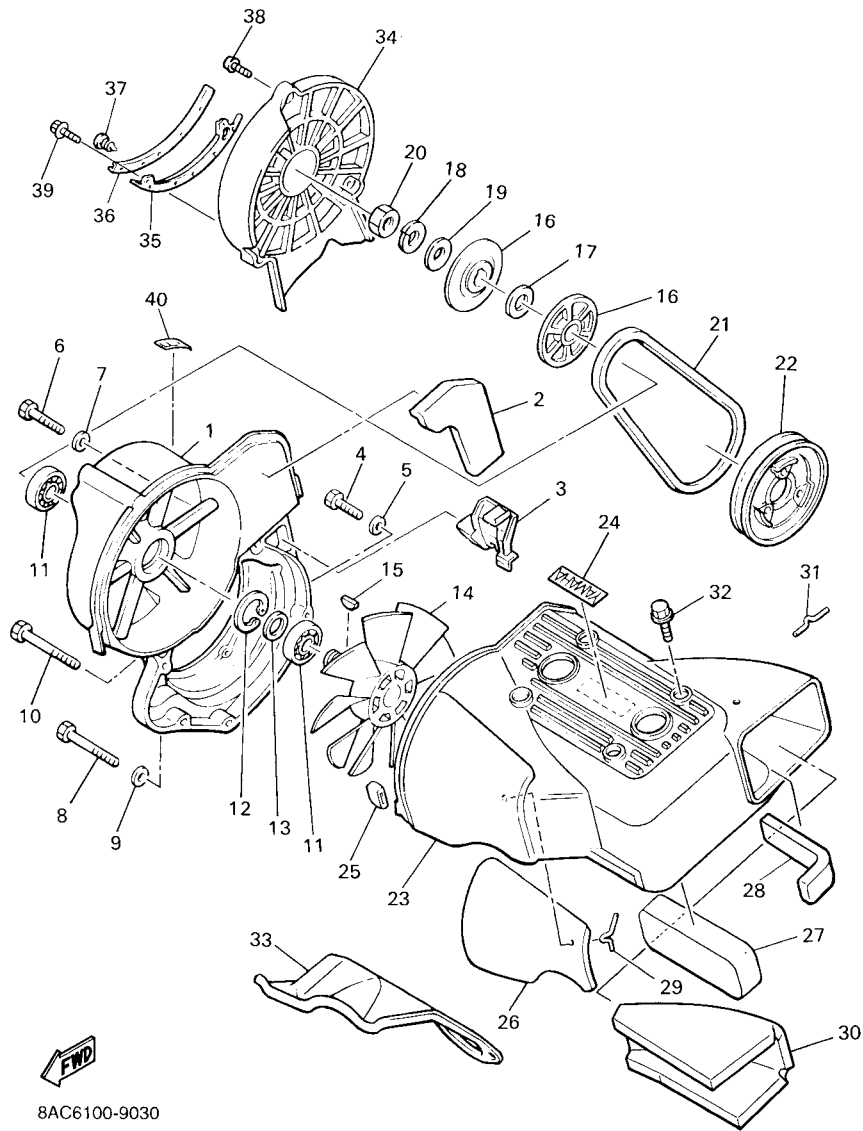
REF. NO.	PART NO.	DESCRIPTION	QTY				REMARKS
1	8R6-11111-00	HEAD, CYLINDER 1	2				
2	94702-00188	PLUG, SPARK (NGK BR9ES)	2				
3	83R-11161-00	ABSORBER 1	12				
4	83R-11181-00	GASKET, CYLINDER HEAD 1	2				
5	90116-08104	BOLT, STUD	12				
6	95707-08500	NUT, FLANGE	8				
7	90179-08269	NUT	4				
8	90201-08100	WASHER, PLATE	4				
9	83R-11311-00	CYLINDER 1	2				
10	83R-11162-00	ABSORBER 2	8				
11	95612-08318	BOLT, STUD	4				
12	89N-11351-00	GASKET, CYLINDER	1				
13	90116-08302	BOLT, STUD	8				
14	90179-08268	NUT	8				



8JN1370-N020

FIG. 2 CRANKSHAFT & PISTON

REF. NO.	PART NO.	DESCRIPTION	QTY	REMARKS
1	8R6-11631-00-95	PISTON (STD)	2	
	8R6-11635-00	PISTON (0.25MM O/S)	2	AP
	8R6-11636-00	PISTON (0.50MM O/S)	2	AP
2	8R6-11601-00	PISTON RING SET (STD)	2	
	8R6-11601-10	PISTON RING SET (0.25MM O/S)	2	AP
	8R6-11601-20	PISTON RING SET (0.50MM O/S)	2	AP
3	8H8-11633-00	PIN, PISTON	2	
4	93450-21053	CIRCLIP	4	
5	93310-320G0	BEARING	2	
6	8JN-11400-00	CRANKSHAFT ASSY	1	
7	83R-11412-01	.CRANK 1	1	
8	8H8-11422-01	.CRANK 2	1	
9	8H8-11432-01	.CRANK 3	1	
10	8AT-11442-00	.CRANK 4	1	
11	90209-24073	.WASHER	2	
12	8R6-11651-00	.ROD, CONNECTING	2	
13	93310-524K4	.BEARING	2	
14	8H8-11515-00	.SEAL, LABYRINTH 1	1	
15	91609-30010	.PIN, SPRING	1	
16	93306-30627	.BEARING	1	
17	93306-30628	.BEARING	1	
18	90201-33299	.WASHER, PLATE	1	
19	93306-20617	.BEARING	2	
20	93306-20620	.BEARING	1	
21	8A7-11685-00	.WASHER, CRANK PIN	2	
22	90280-05014	.KEY, WOODRUFF	1	
23	93103-32095	OIL SEAL	1	

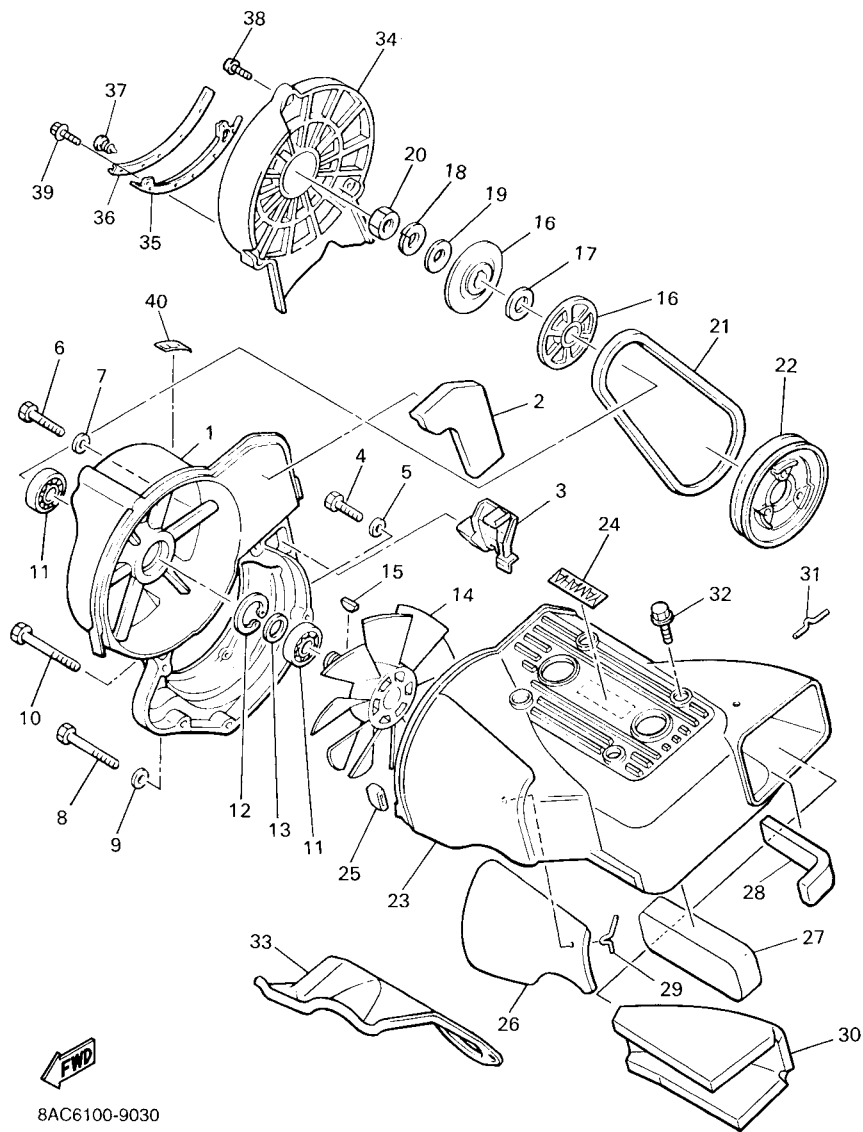


8AC6100-9030

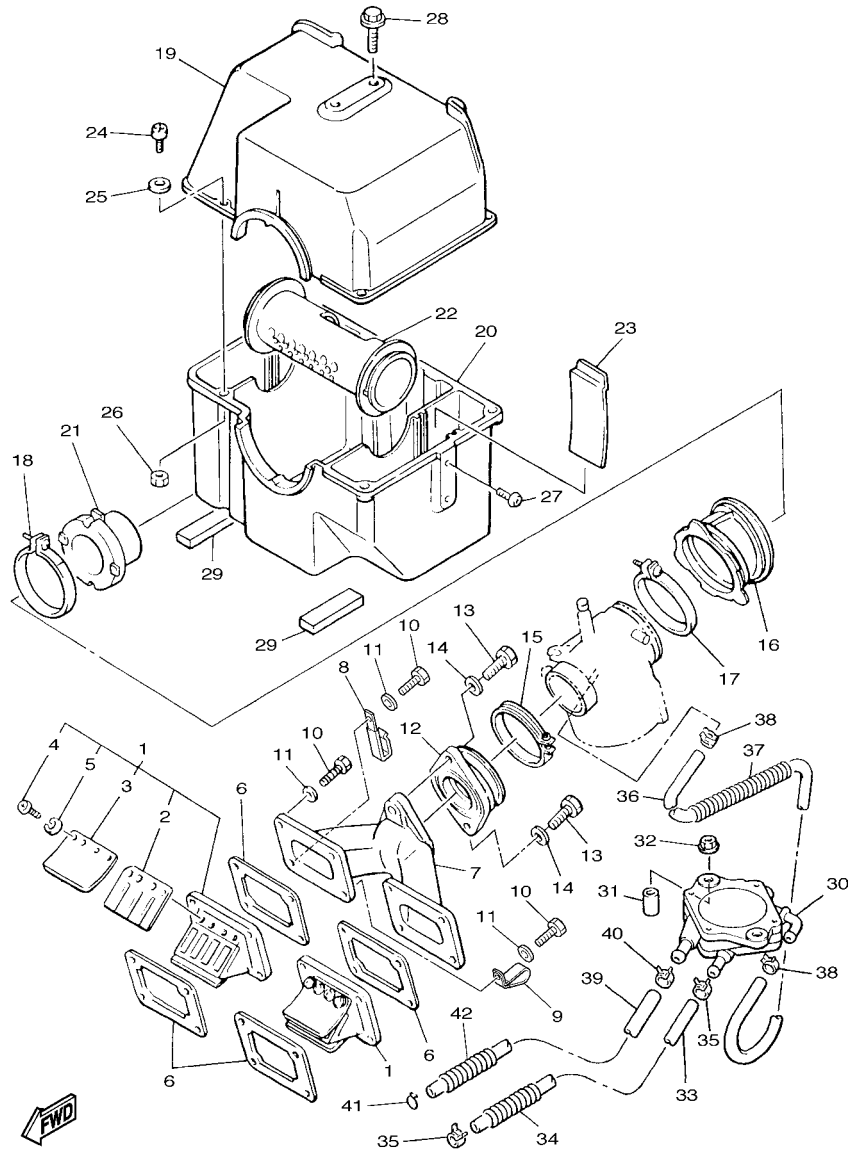
FIG. 3 AIR SHROUD & FAN

REF. NO.	PART NO.	DESCRIPTION	QTY	REMARKS
1	88F-12621-02	CASE, FAN	1	
2	8Y0-12679-00	DAMPER, SHROUD 6	1	
3	8Y0-12658-00	DAMPER, AIR SHROUD 1	1	
4	97027-08040	BOLT, HEXAGON	2	
5	92907-08600	WASHER, PLATE	2	
6	97022-08055	BOLT, HEXAGON	1	
7	92902-08600	WASHER, PLATE	1	
8	97027-08075	BOLT, HEXAGON	1	
9	92907-08600	WASHER, PLATE	1	
10	97027-08075	BOLT, HEXAGON	1	
11	93306-20315	BEARING	2	
12	99009-40500	CIRCLIP	1	
13	90201-17713	WASHER, PLATE	1	
14	8H8-12611-01	FAN	1	
15	90280-05014	KEY, WOODRUFF	1	
16	8H8-12619-01	PULLEY 2	2	
17	90214-17017	WASHER, CLAW (0.5T)	1	UR UN
	90214-17018	WASHER, CLAW (1.0T)	1	UR UN
18	92907-16100	WASHER	1	
19	90201-17713	WASHER, PLATE	1	
20	90170-16425	NUT	1	
21	8H8-12612-00	BELT	1	
22	8H8-12618-01	PULLEY 1	1	
23	8H8-12651-02	AIR SHROUD, CYLINDER 1	1	
24	99246-00080	EMBLEM, YAMAHA	1	
25	8H8-12658-00	DAMPER, AIR SHROUD 1	2	
26	8H8-12659-00	DAMPER, AIR SHROUD 2	1	

FIG. 3 AIR SHROUD & FAN



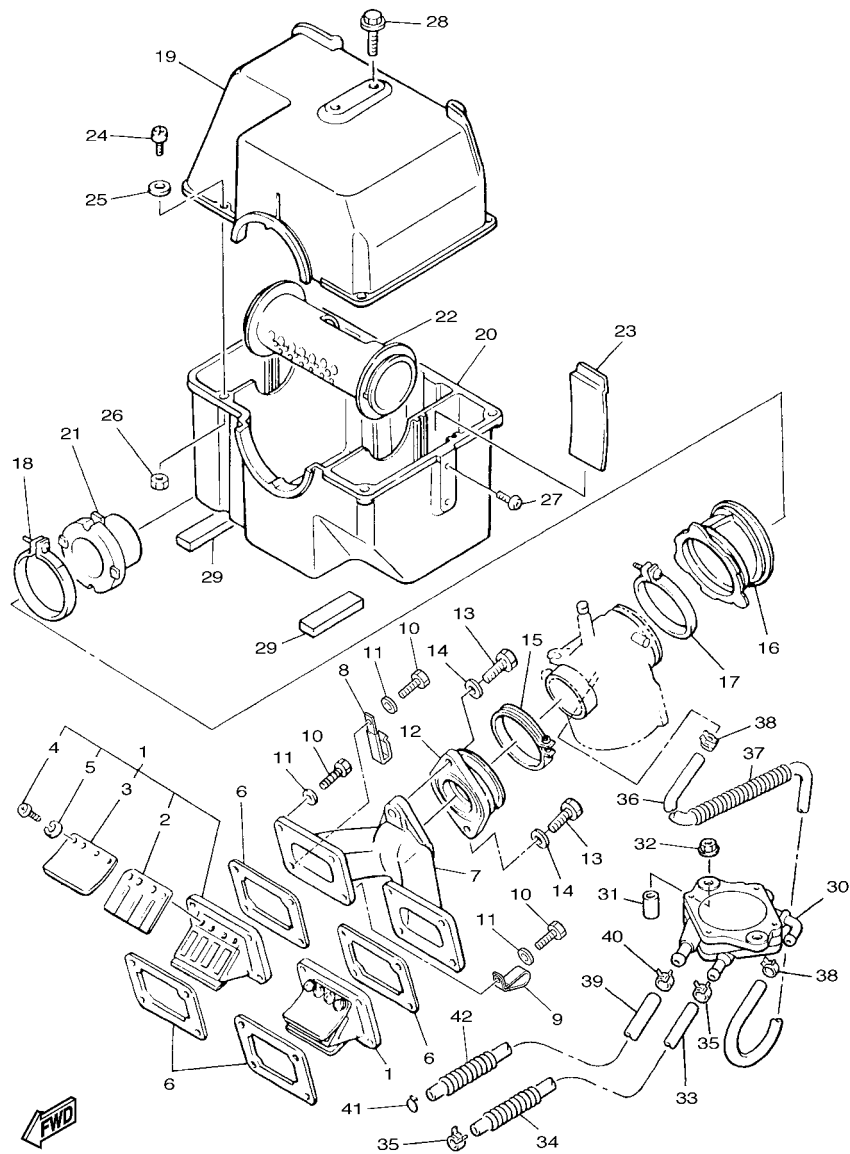
REF. NO.	PART NO.	DESCRIPTION	QTY				REMARKS
27	8H8-12669-00	DAMPER, AIR SHROUD 4	1				
28	8V8-12678-00	DAMPER, AIR SHROUD 5	1				
29	91401-16025	PIN, COTTER	3				
30	8AT-12679-00	DAMPER, SHROUD 6	1				
31	91401-16025	PIN, COTTER	3				
32	90119-06108	BOLT, WITH WASHER	4				
33	8H8-12652-00	AIR SHROUD, CYLINDER 2	1				
34	8L0-12616-00	COVER, FAN CASE	1				
35	8Y0-12637-02	STAY 1	1				
36	8Y0-12687-02	DAMPER, DUCT 4	1				
37	90269-05051	RIVET	5				
38	98902-06025	SCREW, BIND	2				
39	95802-06025	BOLT, FLANGE	1				
40	8AC-1262A-R1	LABEL, WARNING 2	1				



8JN1370-N040

FIG. 4 INTAKE

REF. NO.	PART NO.	DESCRIPTION	QTY	REMARKS
1	8AT-13610-00	REED VALVE ASSY	2	
2	8AT-13613-00	.REED, VALVE	2	
3	8H8-13616-00	.STOPPER, REED VALVE	2	
4	98502-03008	.SCREW, PAN HEAD	8	
5	92902-03100	.WASHER	8	
6	8Y7-13556-01	GASKET, MANIFOLD	4	
7	83R-13565-00	JOINT, CARBURETOR	1	
8	90465-08277	CLAMP	1	
9	90461-10011	CLAMP	1	
10	97027-06025	BOLT, HEXAGON	8	
11	92907-06600	WASHER, PLATE	8	
12	8G8-13555-01	MANIFOLD, INTAKE	1	
13	97007-08025	BOLT	2	
14	92907-08600	WASHER, PLATE	2	
15	90460-56073	CLAMP, HOSE	1	
16	83R-14453-00	JOINT, AIR CLEANER 1	1	
17	90460-68230	CLAMP, HOSE	1	
18	90450-99050	HOSE CLAMP ASSY	1	
19	8H8-14431-00	SILENCER, INTAKE 1	1	
20	8H8-14441-00	SILENCER, INTAKE 2	1	
21	83R-14465-00	PIPE	1	
22	8H8-14466-00	PIPE	1	
23	8H8-14477-00	PLATE	2	
24	98502-05016	SCREW, PAN HEAD	5	
25	92902-05600	WASHER, PLATE	5	
26	95302-05700	NUT	5	
27	98502-06010	SCREW, PAN HEAD	2	

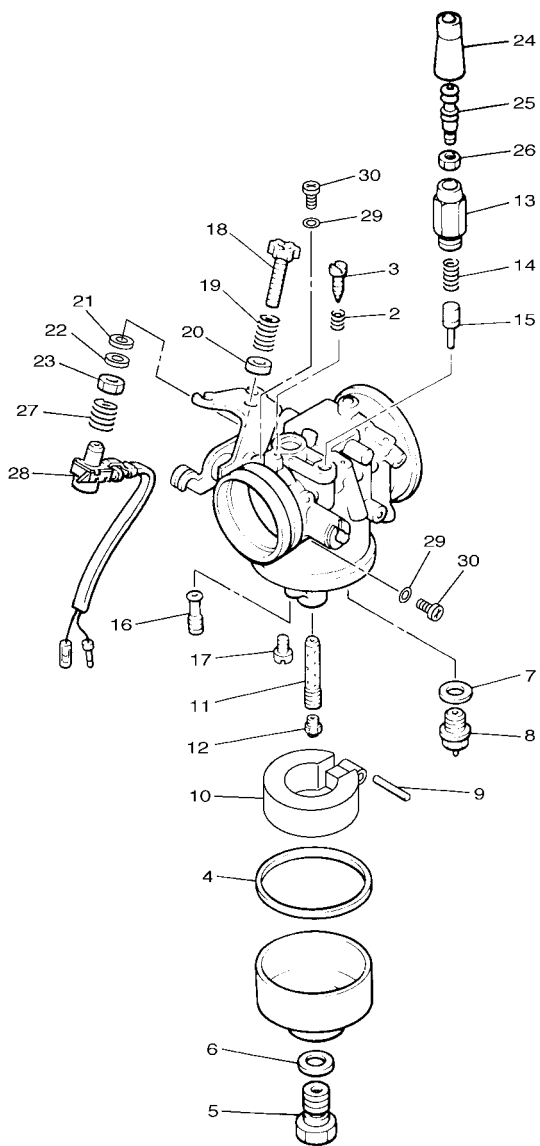


8JN1370-N040

FIG. 4 INTAKE

REF. NO.	PART NO.	DESCRIPTION	QTY	REMARKS
28	90109-065E6	BOLT	2	
29	83R-14425-00	DAMPER 1	2	
30	8AT-24410-00	FUEL PUMP ASSY	1	
31	90387-063W4	COLLAR	2	
32	95702-06500	NUT, FLANGE	2	
33	90445-11735	HOSE (L320)	1	
34	90501-084G9	SPRING, COMPRESSION	1	
35	90467-11032	CLIP	2	
36	90445-092K1	HOSE (L420)	1	
37	90501-084J0	SPRING, COMPRESSION	1	
38	90467-09026	CLIP	2	
39	90445-11M47	HOSE (L370)	1	
40	90467-11032	CLIP	1	
41	90467-11009	CLIP	1	
42	90501-080A5	SPRING, COMPRESSION	1	

FIG. 5 CARBURETOR

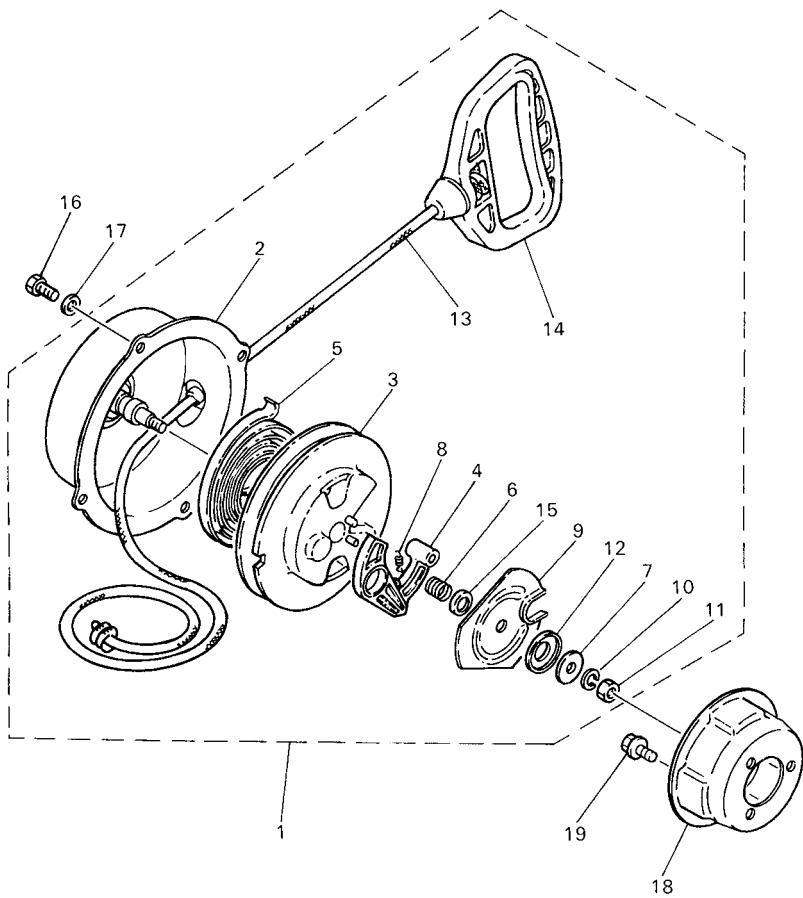


8JN1370-N050

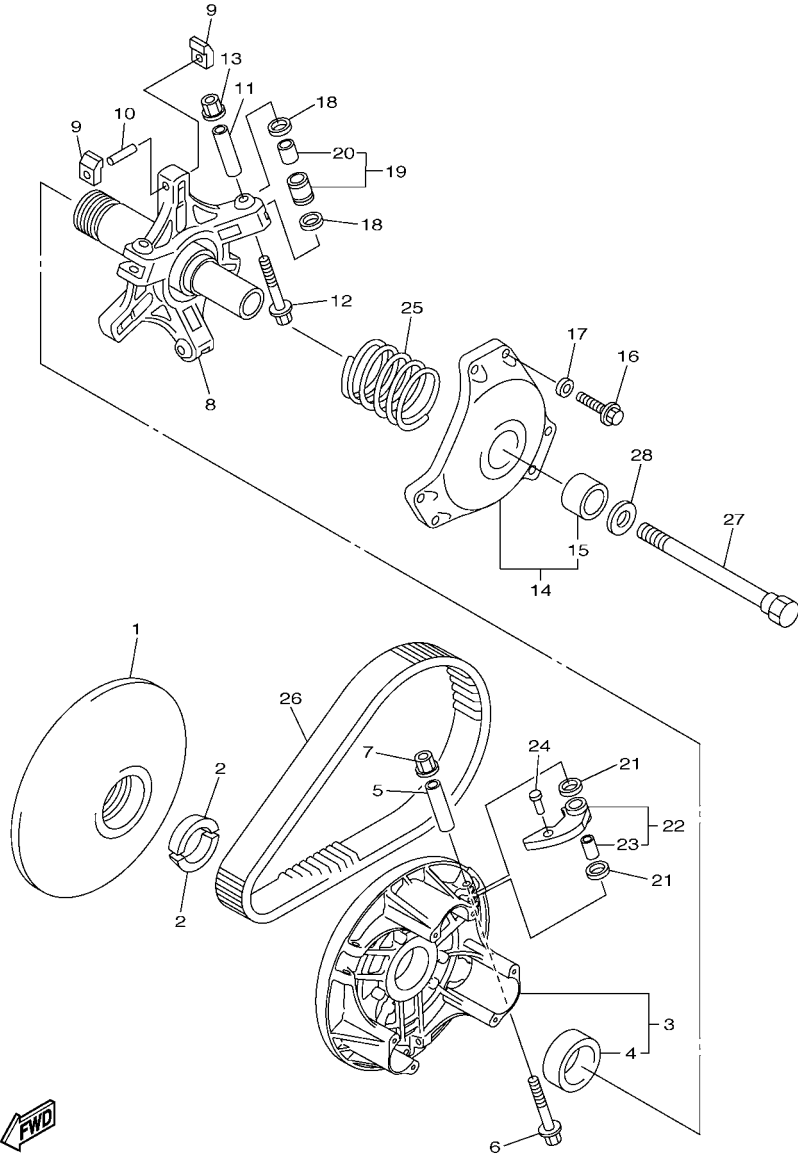
REF. NO.	PART NO.	DESCRIPTION	QTY	REMARKS
1	8JN-14101-00	CARBURETOR ASSY 1	1	
2	82A-14134-00	.SPRING, AIR ADJUSTING	1	
3	620-14211-00	.SCREW, PILOT ADJUSTING	1	
4	8M6-14126-00	.GASKET	1	
5	8M6-14261-00	.HOLDER	1	
6	286-14198-00	.GASKET	1	
7	214-14195-00	.WASHER, NEEDLE VALVE	1	
8	83R-14190-15	.NEEDLE VALVE ASSY	1	
9	68V-14186-00	.PIN, FLOAT	1	
10	8M6-14185-00	.FLOAT	1	
11	83R-14941-4E	.NOZZLE, MAIN	1	
12	3G2-1414E-56	.JET, MAIN (#141.3)	1	STD
	3G2-14231-77	.JET, MAIN (#132.5)	1	AP
	3G2-14231-27	.JET, MAIN (#135)	1	AP
	3G2-14231-78	.JET, MAIN (#137.5)	1	AP
	3G2-14231-28	.JET, MAIN (#140)	1	AP
	3G2-14231-79	.JET, MAIN (#142.5)	1	AP
13	8U9-14174-00	.CAP, PLUNGER	1	
14	127-14135-00	.COIL, SPRING	1	
15	8G8-14171-00	.PLUNGER, STARTER	1	
16	193-14142-90	.JET, PILOT (# 90)	1	STD
	193-1414F-00	.JET, PILOT (# 100)	1	AP
17	8V0-14118-00	.CAP	2	
18	89A-14125-00	.SCREW	1	
19	2J2-14133-00	.SPRING, THROTTLE STOP	1	
20	89A-14265-00	.COLLAR	1	
21	22F-14117-00	.WASHER, PLUG SCREW	1	

FIG. 8 STARTER

REF. NO.	PART NO.	DESCRIPTION	QTY	REMARKS
1	8H8-15710-00	STARTER ASSY	1	
2	8H8-15711-00	.CASE, STARTER	1	
3	8F3-15714-01	.DRUM, SHEAVE	1	
4	8F3-15741-01	.PAWL, DRIVE	1	
5	8F3-15713-01	.SPRING, STARTER	1	
6	8F3-15715-00	.SPRING, FRICTION	1	
7	8F3-15739-01	.WASHER, THRUST	1	
8	8F3-15734-00	.SPRING, RETURN	1	
9	8F3-15716-03	.PLATE, DRIVE	1	
10	92901-06100	.WASHER, SPRING	1	
11	95301-06700	.NUT	1	
12	8G5-15739-00	.WASHER, THRUST	1	
13	8F3-15751-00	.WIRE, STARTER	1	
14	8F3-15755-00	.HANDLE, STARTER	1	
15	8G5-15716-00	.COLLAR	1	
16	97007-06014	BOLT	4	
17	92907-06600	WASHER, PLATE	4	
18	8H8-15723-01	PULLEY, STARTER	1	
19	95822-08016	BOLT, FLANGE	3	



8AC3100-6110

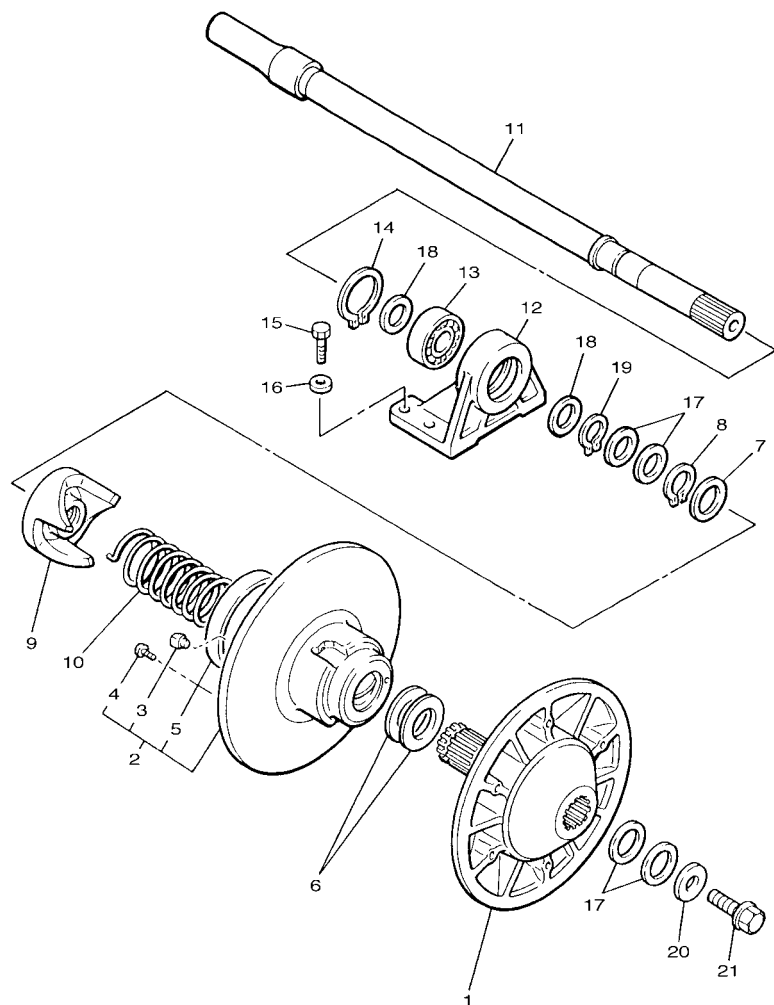


8ACT100-K110

FIG. 9 PRIMARY SHEAVE

REF. NO.	PART NO.	DESCRIPTION	QTY	REMARKS
1	8FA-17611-01	SHEAVE, PRIMARY FIXED	1	
2	8V0-17639-00	STOPPER	2	
3	8BV-17620-03	PRIMARY SLIDING SHEAVE COMP.	1	
4	90384-41242	.BUSH, BIMETAL FORMED	1	
5	90387-0514T	COLLAR	3	
6	90105-05644	BOLT, FLANGE	3	
7	95602-05200	NUT, SELF-LOCKING	3	
8	8ES-17640-02	SPIDER COMPLETE	1	
9	8BW-17653-00	SLIDER	6	
10	91609-50032	PIN, SPRING	3	
11	90387-0514U	COLLAR	3	
12	90105-05644	BOLT, FLANGE	3	
13	95602-05200	NUT, SELF-LOCKING	3	
14	8BV-17630-11	PRIMARY SHEAVE CAP COMP.	1	
15	90380-28237	.BUSH, SOLID	1	
16	97017-06030	BOLT	6	
17	92907-06600	WASHER, PLATE	6	
18	90202-09227	WASHER, PLATE	6	
19	8FG-17624-00	ROLLER, COMP	3	
20	90386-09001	.BUSH	1	
21	90202-08204	WASHER, PLATE	6	
22	8AT-17605-10	WEIGHT COMP	3	
23	90386-08002	.BUSH	1	
24	90261-06033	RIVET, COUNTERSUNK (ST17.2MM)	3	STD
	90261-06015	RIVET, COUNTERSUNK (ST10.3MM)	3	AP
	90261-06019	RIVET, COUNTERSUNK (ST13.3MM)	3	AP
25	90501-556G6	SPRING, COMPRESSION	1	STD (BLUE)

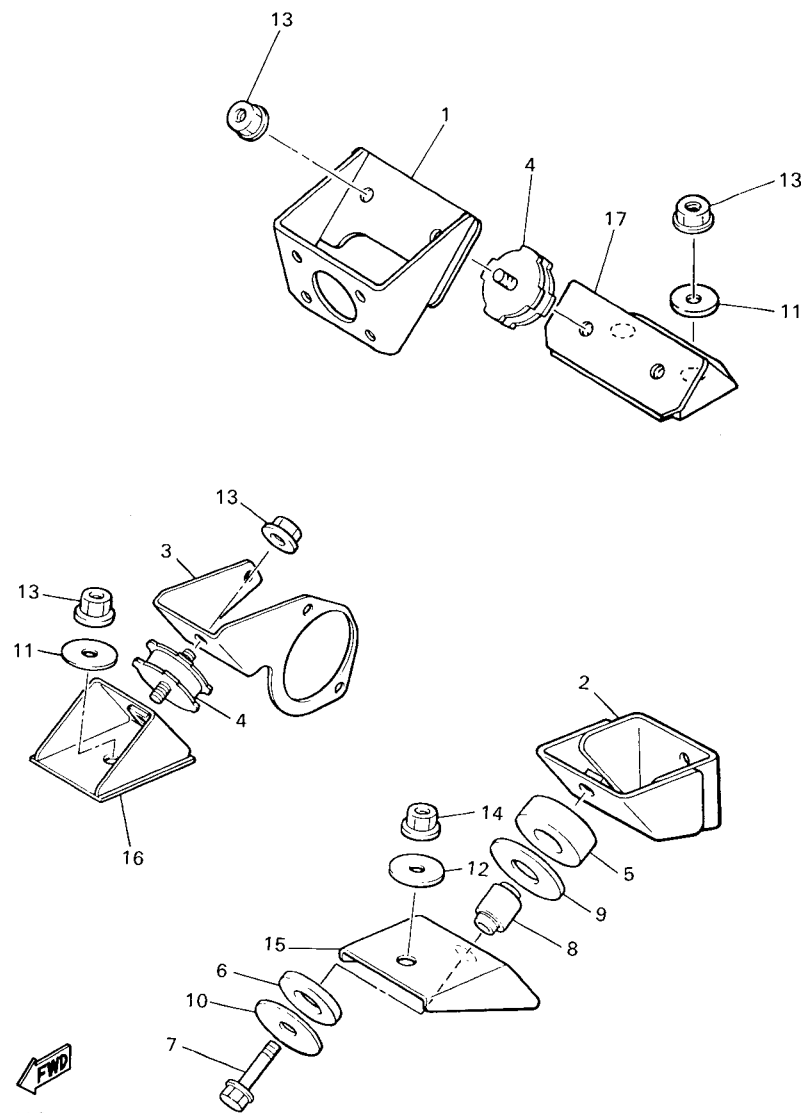
FIG. 10 SECONDARY SHEAVE



8JN1370-N100

REF. NO.	PART NO.	DESCRIPTION	QTY	REMARKS
1	88R-17660-03	SECONDARY FIXED SHEAVE COMP.	1	
2	8AT-17670-01	SECONDARY SLIDING SHEAVE	1	
3	8X6-17688-00	.SHOE, RAMP	3	
4	90154-06062	.SCREW, BINDING	3	
5	90384-90081	.BUSH, BIMETAL FORMED	1	
6	90201-345G2	WASHER, PLATE	2	
7	90214-29060	WASHER, CLAW	1	
8	93440-34170	CIRCLIP	1	
9	8AT-17684-01	SEAT, SECONDARY SPRING	1	
10	90508-55012	SPRING, TORSION	1	
11	88N-17680-02	SECONDARY SHAFT COMP.	1	
12	88N-47631-00	HOUSING, BEARING	1	
13	93306-20582	BEARING	1	
14	99009-52500	CIRCLIP	1	
15	97027-08020	BOLT, HEXAGON	4	
16	92907-08600	WASHER, PLATE	4	
17	90201-252F1	WASHER, PLATE (T0.5)	1	UR UN
	90201-25527	WASHER, PLATE (T1.0)	2	UR UN
	90201-25526	WASHER, PLATE (T2.0)	2	UR UN
18	90201-257J2	WASHER, PLATE	2	
19	93410-25017	CIRCLIP	1	
20	90201-104A7	WASHER, PLATE	1	
21	95817-10020	BOLT, FLANGE	1	

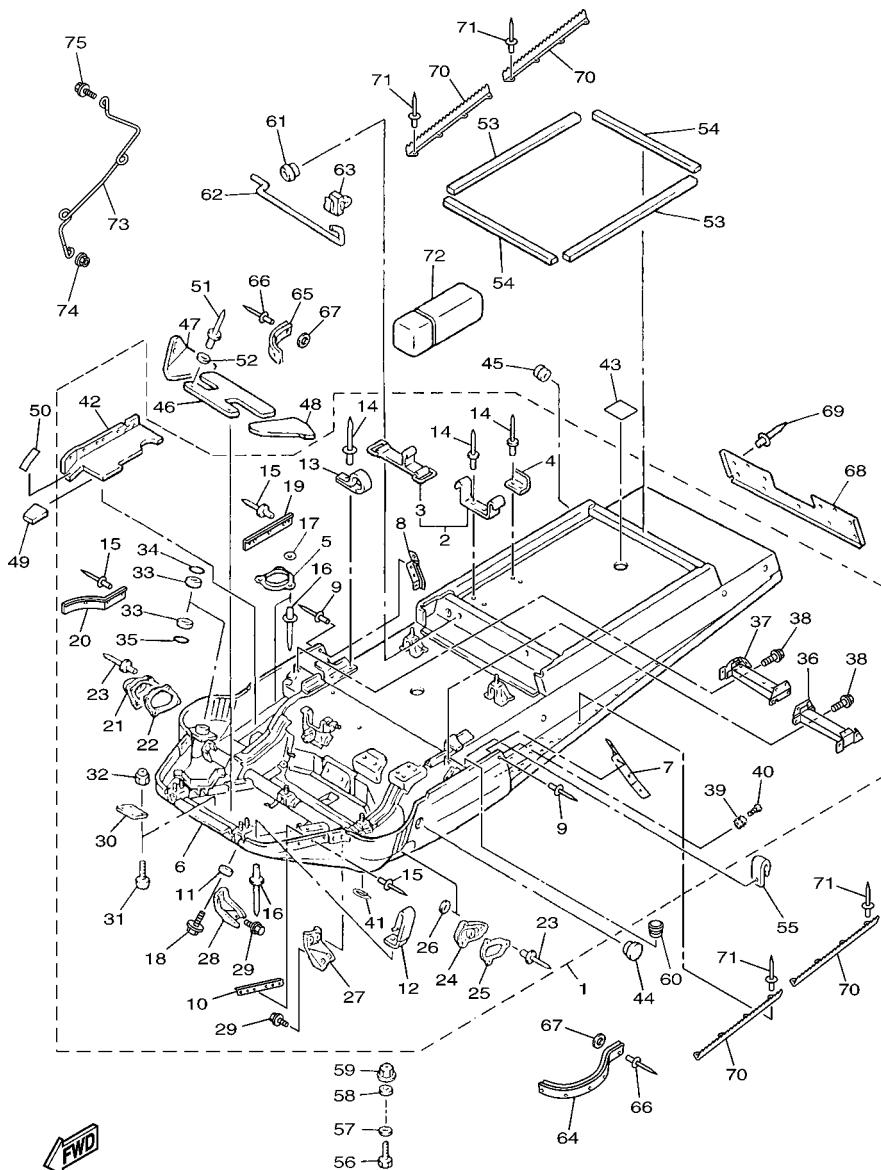
FIG. 11 ENGINE BRACKET



REF. NO.	PART NO.	DESCRIPTION	QTY	REMARKS
1	8H8-21411-01	BRACKET, ENGINE 1	1	
2	83R-21419-01	BRACKET, ENGINE 2	1	
3	8H8-21429-01	BRACKET, ENGINE 3	1	
4	8N7-21486-00	DAMPER 2	3	
5	8V9-21485-00	DAMPER, RUBBER 1	1	
6	8V9-21486-00	DAMPER 2	1	
7	95812-10045	BOLT, FLANGE	1	
8	90380-10129	BUSH, SOLID	1	
9	90201-257G7	WASHER, PLATE	1	
10	90201-107G8	WASHER, PLATE	1	
11	90201-10321	WASHER, PLATE	3	
12	90201-12317	WASHER, PLATE	1	
13	95702-10500	NUT, FLANGE	6	
14	95702-12500	NUT, FLANGE	1	
15	8AT-21417-00	BRACKET, FRONT LOWER 1	1	
16	8H8-21418-01	BRACKET, FRONT LOWER 2	1	
17	8H8-21427-00	BRACKET, REAR LOWER 1	1	

FIG. 12 FRAME

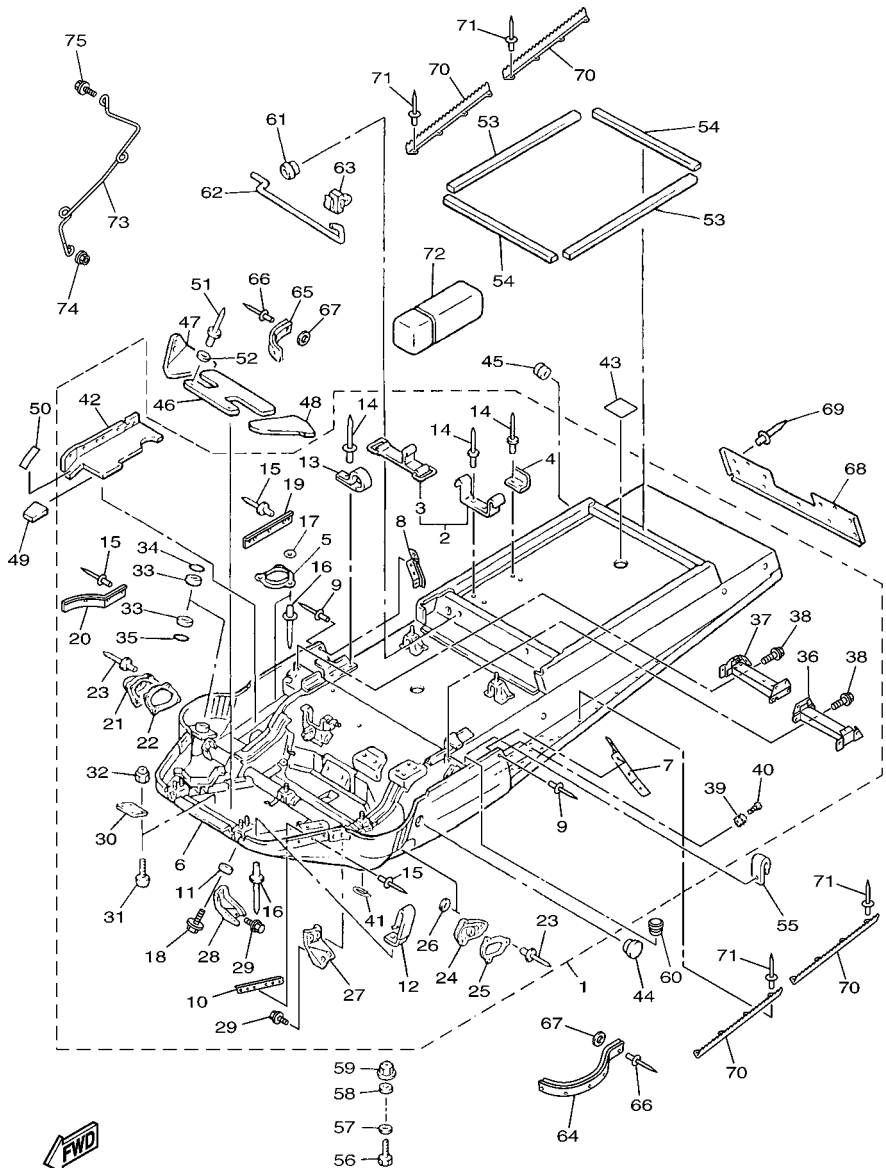
REF. NO.	PART NO.	DESCRIPTION	QTY	REMARKS
1	8JN-W2190-00	FRAME COMP.	1	
2	81E-21945-00	.BRACKET, TOOL BOX FITTING	1	
3	4J2-82131-01	.BAND, BATTERY	1	
4	83R-21955-00	.BRACKET, TOOL BOX FITTING	1	
5	83R-2198F-00	.COVER 1	1	
6	8JD-21912-01	.PANEL, SUB FRAME 1	1	
7	83R-21986-00	.REINFORCEMENT, FRAME 1	1	
8	83R-21987-00	.REINFORCEMENT, FRAME 2	1	
9	90267-49152	.RIVET, BLIND (4.9X16.1)	6	
10	8AC-21965-00	.PATCH 5	2	
11	90387-081R2	.COLLAR	2	
12	90465-08368	.CLAMP	5	
13	90462-05059	.CLAMP	1	
14	90267-48060	.RIVET,BLIND (4.8X12.9 BLACK)	28	
15	90267-48051	.RIVET, BLIND (4.8X18.7 BLACK)	17	
16	90267-48018	.RIVET, BLIND (4.8X18.6 BLACK)	42	
17	90201-04027	.WASHER, PLATE	3	
18	95827-06016	.BOLT, FLANGE	2	
19	8AT-77527-02	.PLATE, BACK UP	2	
20	8JD-77577-00	.PLATE, 1	1	
21	8AT-23818-00	.COVER, STEERING	1	
22	8AT-77526-00	.WASHER 2	1	
23	90267-40029	.RIVET, BLIND (4X18 BLACK)	7	
24	8M6-2198F-00	.COVER 1	1	
25	8M6-21998-00	.SPACER	1	
26	90201-043H5	.WASHER, PLATE	3	
27	8AT-2194Y-00	.BRACKET, FRONT GUARD 3	1	



8JN1370-N120

FIG. 12 FRAME

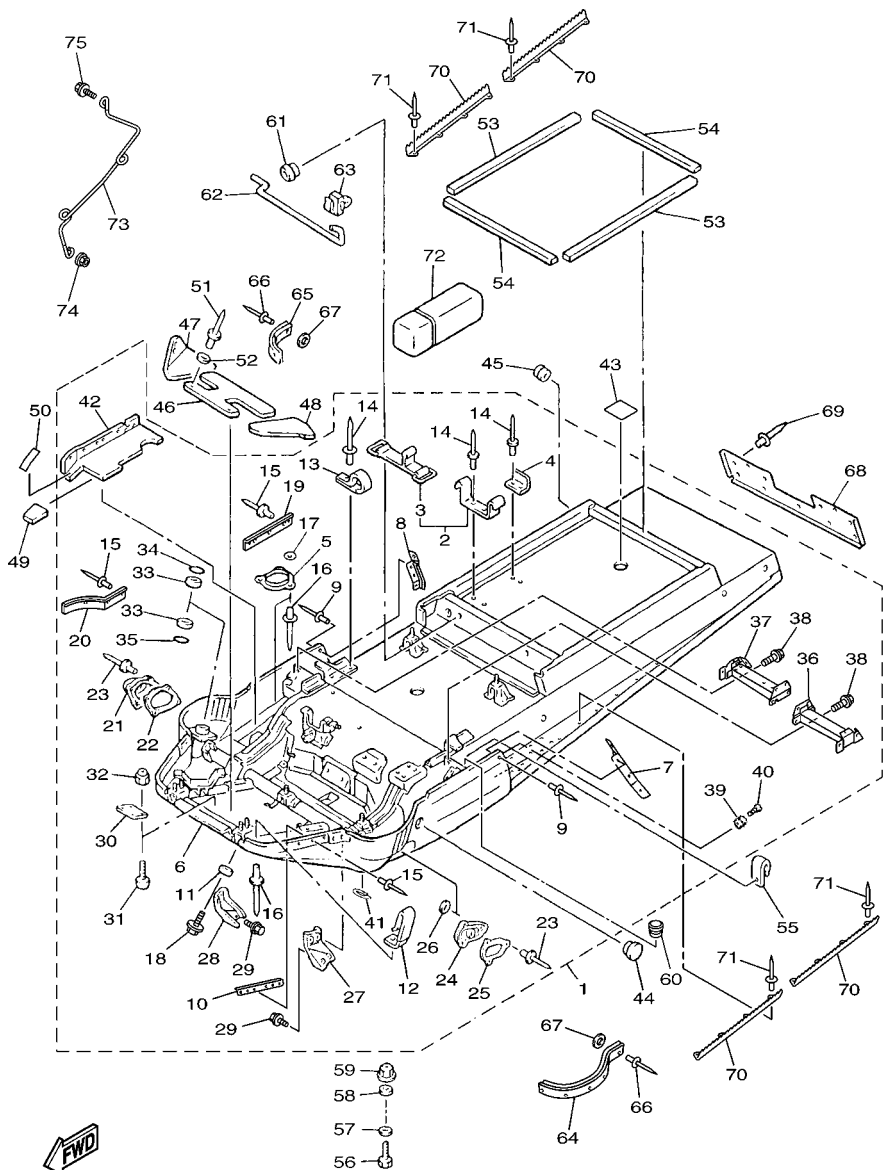
REF. NO.	PART NO.	DESCRIPTION	QTY	REMARKS
28	8AT-2195Y-00	.BRACKET, FRONT GUARD 4	1	
29	90105-08408	.BOLT, FLANGE	4	
30	89X-21917-00	.PANEL, SUB FRAME 6	2	
31	98907-05014	.SCREW, BIND	8	
32	95707-05300	.NUT, FLANGE	8	
33	90384-36134	.BUSH, BIMETAL FORMED	4	
34	93102-36232	.OIL SEAL	2	
35	93103-36117	.OIL SEAL	2	
36	8AT-23883-01	.BRACKET 3	1	
37	8AT-23884-01	.BRACKET 4	1	
38	95802-06012	.BOLT, FLANGE	4	
39	8M6-77175-00	.HOLDER, LATCH	2	
40	98907-06035	.SCREW, BIND	2	
41	93410-52061	.CIRCLIP	2	
42	8JD-77272-01	.DAMPER, NOISE 12	1	
43	8CR-2198J-00	COVER 3	1	
44	90338-44093	PLUG	1	
45	90480-15061	GROMMET	1	
46	8AT-77271-00	DAMPER, NOISE 11	1	
47	8AT-77273-10	DAMPER, NOISE 13	1	
48	8AT-77274-00	DAMPER, NOISE 14	1	
49	8AT-77275-00	DAMPER, NOISE 15	1	
50	8CR-77165-00	TRIM 1	1	
51	90267-48018	RIVET, BLIND (4.8X18.6 BLACK)	2	
52	90201-04027	WASHER, PLATE	2	
53	83R-7717E-00	TAPE 1	2	
54	83R-7717F-00	TAPE 2	2	



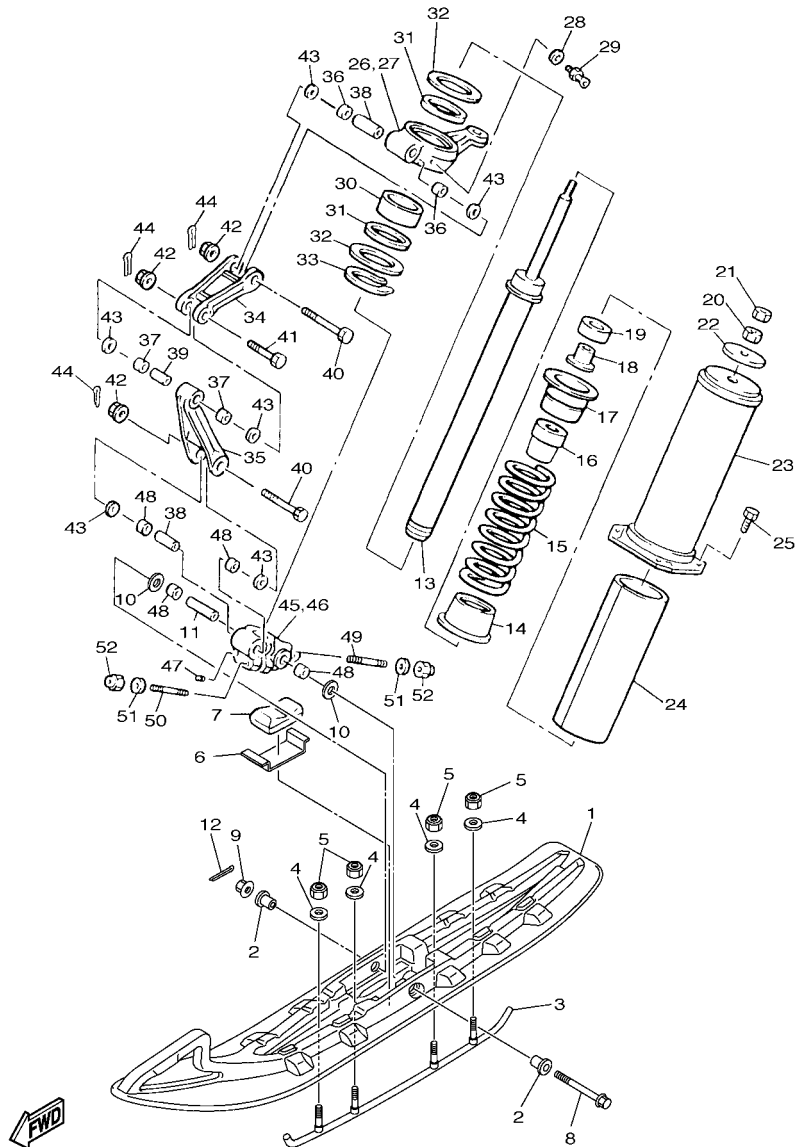
8JN1370-N120

FIG. 12 FRAME

REF. NO.	PART NO.	DESCRIPTION	QTY	REMARKS
55	90465-08125	CLAMP	2	
56	97022-06025	BOLT, HEXAGON	2	
57	90201-06778	WASHER, PLATE	2	
58	90201-063A5	WASHER, PLATE	2	
59	95702-06300	NUT, NYLON	2	
60	90480-12012	GROMMET	1	
61	90480-10348	GROMMET	1	
62	85R-2471A-00	STAY, SEAT	1	
63	85R-2639F-00	HOLDER 2	1	
64	8AT-2196T-00	TRIM 1	1	
65	8JD-2196T-00	TRIM 1	1	
66	90267-40172	RIVET, BLIND (4X19)	9	
67	90201-042E0	WASHER, PLATE	9	
68	8AC-21933-00	REINFORCEMENT, FRAME REAR 2	1	
69	90267-47186	RIVET, BLIND (4.7X16.4 BLACK)	6	
70	8JD-21926-00	REINFORCEMENT, FOOTREST 1	4	
71	90267-48023	RIVET, BLIND(4.8X12.1 YELLOW)	16	
72	85L-28100-00	TOOL KIT	1	
73	8JN-22131-00	STAY, CHAIR CASE 1	1	
74	95702-06500	NUT, FLANGE	1	
75	95802-06014	BOLT, FLANGE	1	



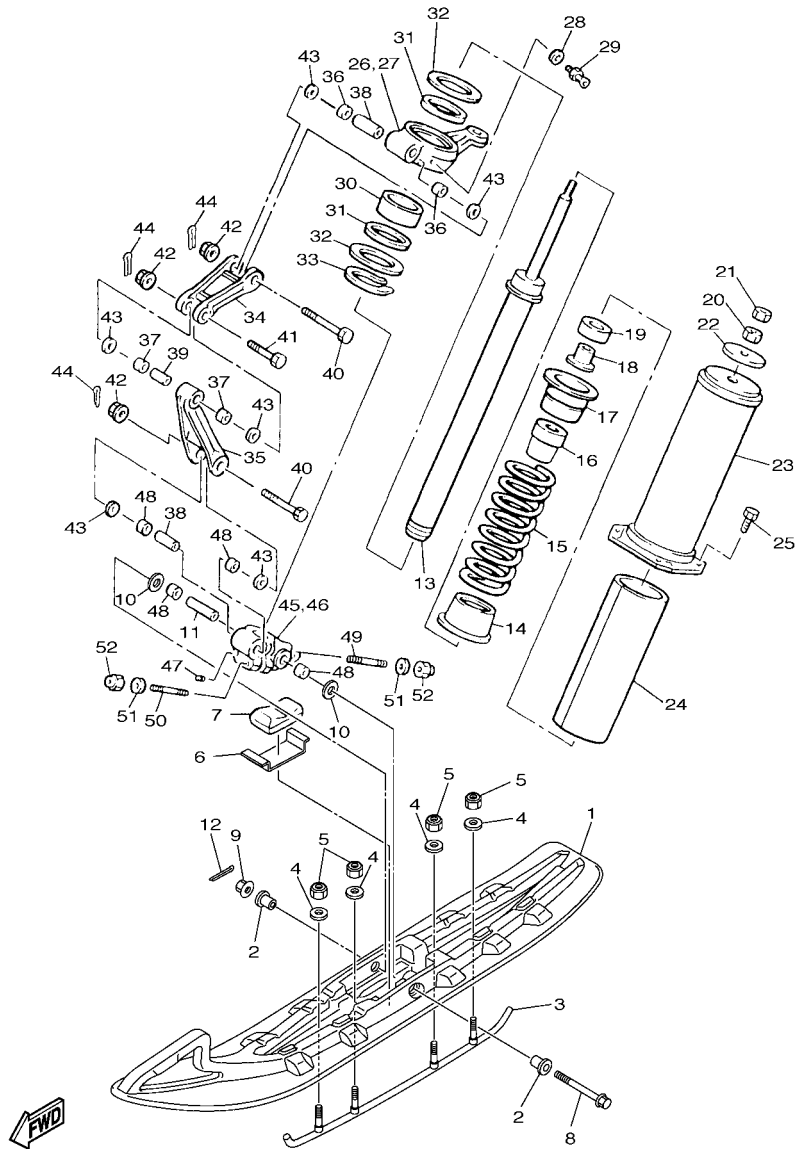
8JN1370-N120



8JD1100-M162

FIG. 13 SKI

REF. NO.	PART NO.	DESCRIPTION	QTY	REMARKS
1	8JD-23711-00	SKI 1	2	
2	8JD-23754-00	COLLAR, 1	4	
3	8JD-23731-00	RUNNER 1	2	
4	8HR-23738-00	WASHER 2	8	
5	8HR-23778-00	NUT	8	
6	8AC-23765-00	STOPPER	2	
7	88T-23743-00	STOPPER 1	2	
8	90105-10410	BOLT, FLANGE	2	
9	95602-10200	NUT, U FLANGE	2	
10	90201-100S7	WASHER, PLATE	4	
11	90387-106J3	COLLAR	2	
12	91401-20020	PIN, COTTER	2	
13	8AT-22401-00	DAMPER SUB ASSY	2	
14	82M-23777-00	SEAT, SPRING 2	2	
15	90501-800A1	SPRING, COMPRESSION	2	
16	89L-22493-00	BUMP, STOP	2	
17	8L0-23788-00	PLATE, BACK UP	2	
18	90387-084R1	COLLAR	2	
19	82M-23779-00	WASHER	2	
20	90170-08220	NUT	2	
21	95307-08600	NUT	2	
22	90201-080L1	WASHER, PLATE	2	
23	8AT-2376J-00	HOLDER, ABSORBER	2	
24	8L0-2376R-00	PROTECTOR	2	
25	97022-06020	BOLT, HEXAGON	8	
26	82M-23851-00	ARM, OUTSIDE 1 (L,H)	1	
27	8AT-23852-00	ARM, OUTSIDE 2 (R,H)	1	



8JD1100-M162

FIG. 13 SKI

REF. NO.	PART NO.	DESCRIPTION	QTY	REMARKS
28	90201-067F9	WASHER, PLATE	2	
29	93700-06004	NIPPLE, GREASE	2	
30	90384-53175	BUSH, BIMETAL FORMED	2	
31	93109-53036	OIL SEAL	4	
32	90201-536A1	WASHER, PLATE (T=1.0)	4	UR UN
	90201-535H6	WASHER, PLATE (T=2.0)	4	UR UN
33	93410-52061	CIRCLIP	2	
34	8L0-2382E-01	ARM, FRONT 1	2	
35	8L0-2382F-00	ARM, FRONT 2	2	
36	90384-14091	BUSH, BIMETAL FORMED	4	
37	90384-14096	BUSH, BIMETAL FORMED	4	
38	90387-101Y9	COLLAR	4	
39	90387-100A4	COLLAR	2	
40	90102-10039	BOLT, WITH HOLE	4	
41	90102-10067	BOLT, WITH HOLE	2	
42	95707-10300	NUT, FLANGE	6	
43	90202-14037	WASHER, PLATE	12	
44	91401-20020	PIN, COTTER	6	
45	84M-2376E-00	BRACKET 1	1	(L,H)
46	84M-2377E-00	BRACKET 2	1	(R,H)
47	90113-06039	BOLT, SET	2	
48	90384-14091	BUSH, BIMETAL FORMED	8	
49	95617-08655	BOLT, STUD	2	
50	95617-08640	BOLT, STUD	2	
51	92902-08600	WASHER, PLATE	4	
52	95702-08300	NUT, NYLON	4	



8JD2100-N170

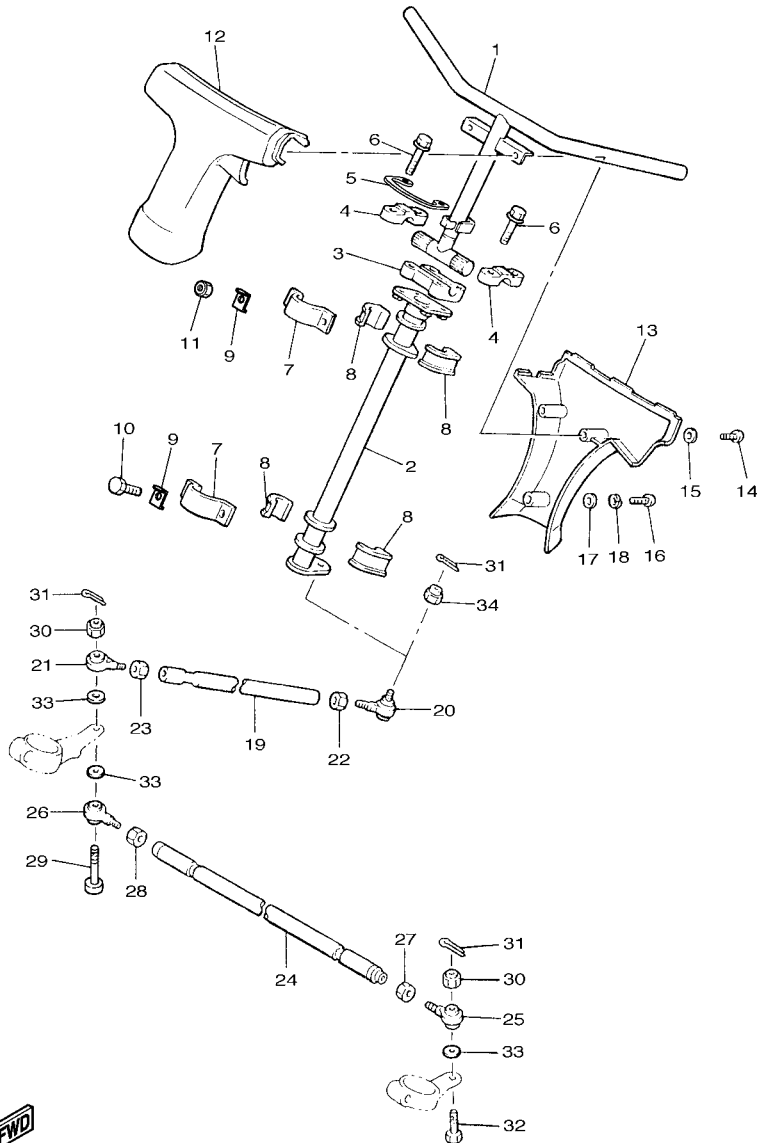
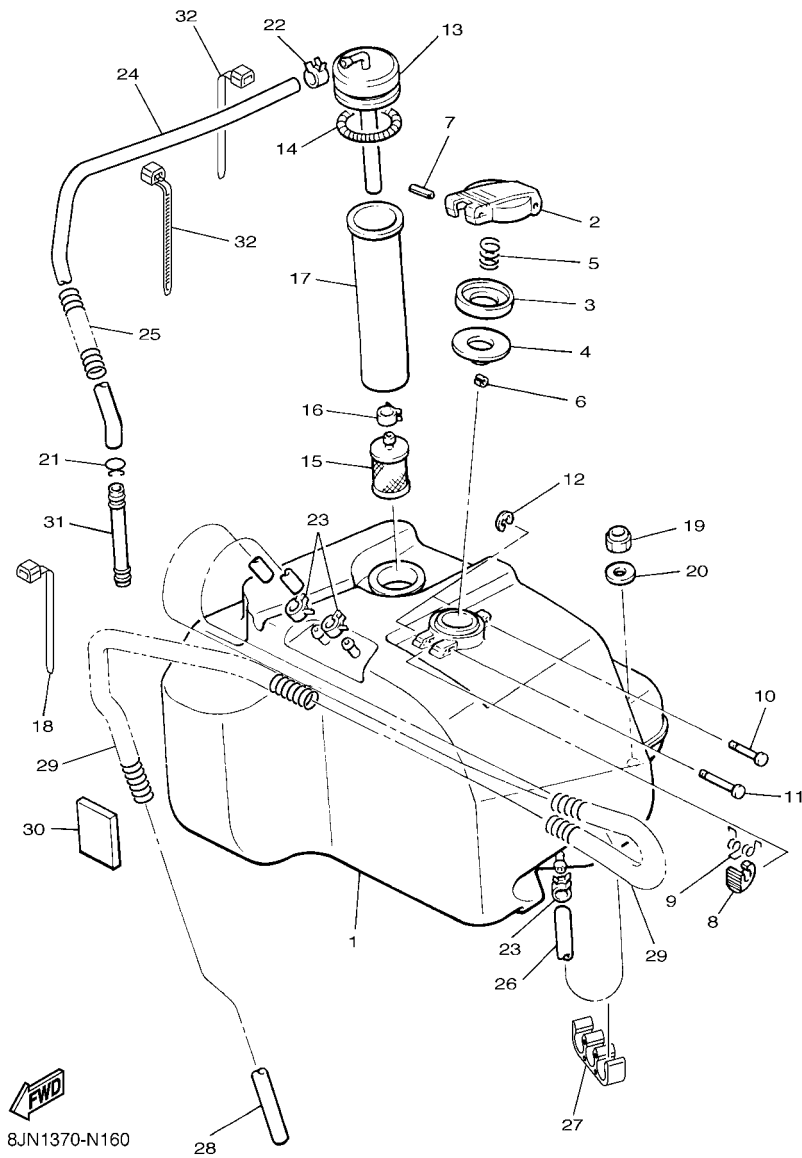


FIG. 14 STEERING

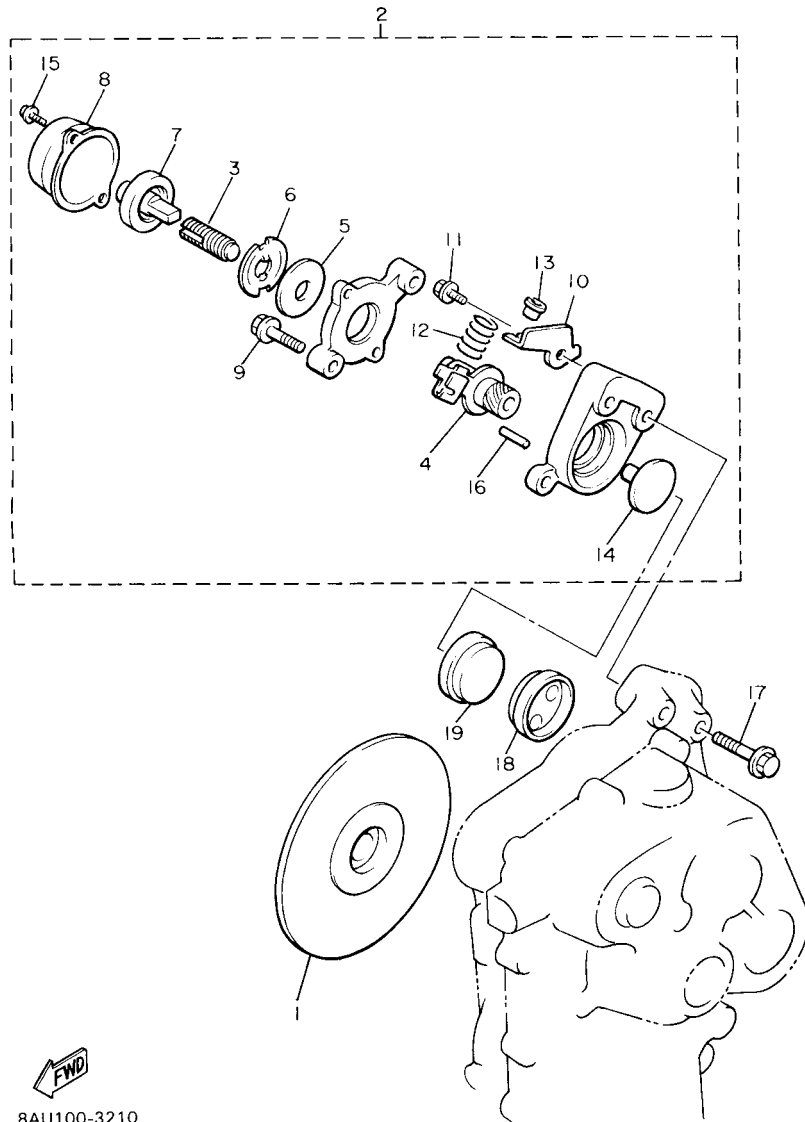
REF. NO.	PART NO.	DESCRIPTION	QTY	REMARKS
1	8AU-23811-10	COLUMN, STEERING	1	
2	8AT-23813-01	COLUMN, STEERING 2	1	
3	8G5-23814-00	HOLDER,HANDLE UNDER	1	
4	8K1-23814-00	HOLDER, HANDLE	2	
5	8JN-23857-00	HOLDER	1	
6	95827-08055	BOLT, FLANGE	4	
7	84M-23868-00	BRACKET, STEERING LOWER	2	
8	8F3-23812-00	BEARING, STEERING	4	
9	8AC-23894-01	WASHER, LOCK 1	4	
10	90101-08005	BOLT	2	
11	90185-08054	NUT, SELF-LOCKING	2	
12	8W9-23815-00	PAD, STEERING	1	
13	8W9-23817-00	PAD, STEERING	1	
14	98507-05030	SCREW, PAN HEAD	2	
15	92907-05600	WASHER, PLATE	2	
16	98507-05008	SCREW, PAN HEAD	1	
17	92907-05200	WASHER	1	
18	92907-05100	WASHER, SPRING	1	
19	8AT-23821-00	ROD, STEERING RELAY	1	
20	86X-23841-00	JOINT, UNIVERSAL 1	1	
21	87S-23847-01	JOINT, UNIVERSAL 3	1	(L.H. THREAD)
22	95307-10700	NUT	1	
23	90170-10186	NUT	1	(L.H. THREAD)
24	8AT-23831-00	ROD, TIE	1	
25	87S-23845-01	JOINT, UNIVERSAL 2	1	
26	87S-23847-01	JOINT, UNIVERSAL 3	1	(L.H. THREAD)
27	95307-10700	NUT	1	



8JN1370-N160

FIG. 16 FUEL TANK

REF. NO.	PART NO.	DESCRIPTION	QTY	REMARKS
1	83R-24111-00	TANK, FUEL	1	
2	8W6-24611-00	BODY, CAP	1	
3	813-24613-01	DISC, CAP	1	
4	8F7-24641-00	GASKET, CAP 1	1	
5	90501-20130	SPRING, COMPRESSION	1	
6	91609-30016	PIN, SPRING	1	
7	91609-25050	PIN, SPRING	1	
8	83M-24628-00	HOOK	1	
9	90508-10715	SPRING, TORSION	1	
10	90249-03175	PIN	1	
11	90249-03017	PIN	1	
12	93430-02001	CIRCLIP	2	
13	83R-24335-00	PIPE, SUCTION 1	1	
14	90506-06065	SPRING, TENSION	1	
15	8H5-24560-00	FILTER ASSY	1	
16	90467-11032	CLIP	1	
17	813-24336-00	PIPE, SUCTION 2	1	
18	90464-15195	CLAMP	5	
19	95702-08300	NUT, NYLON	2	
20	90201-08784	WASHER, PLATE	2	
21	90467-11009	CLIP	1	
22	90467-11032	CLIP	1	
23	90467-09026	CLIP	3	
24	90445-115K6	HOSE (L390)	1	
25	90501-061E8	SPRING, COMPRESSION	1	
26	90445-095F1	HOSE (L650)	1	
27	90464-09020	CLAMP	1	

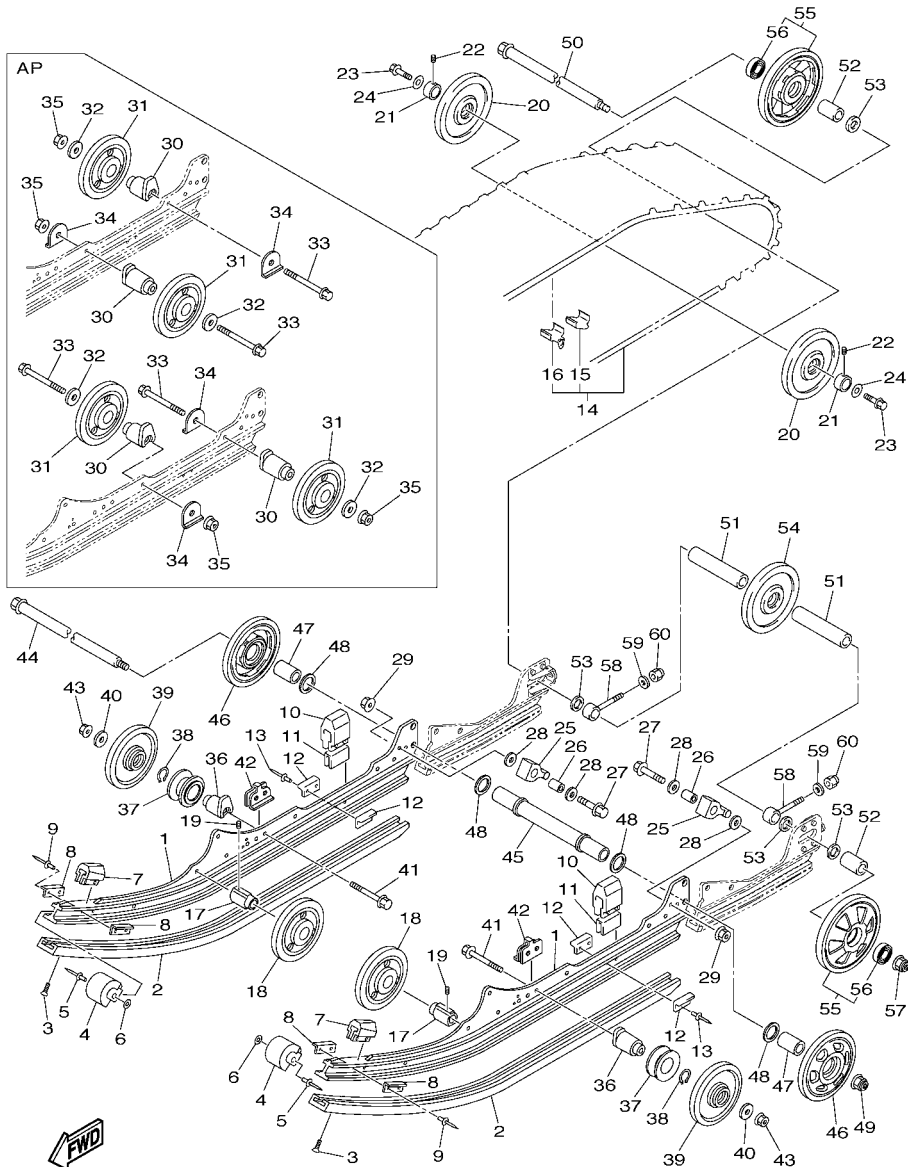


8AU100-3210

FIG. 18 BRAKE

REF. NO.	PART NO.	DESCRIPTION	QTY				REMARKS
1	83R-25831-00	DISC, BRAKE (RIGHT)	1				
2	87R-25730-01	CALIPER BODY COMP.1	1				
3	86M-25738-00	.SCREW, ADJUSTING 1	1				
4	87R-25726-01	.LEVER, BRAKE	1				
5	86M-25827-00	.SHIM, CALIPER	1				
6	86M-25773-00	.LOCK, ONE WAY 2	1				
7	86M-25771-00	.RATCHET, ADJUSTING	1				
8	86M-25772-00	.COVER	1				
9	86M-25818-00	.BOLT, CALIPER	2				
10	87R-25721-00	.BRACKET, CALIPER	1				
11	86M-25826-00	.BOLT 3	1				
12	87R-25743-00	.SPRING	1				
13	87R-25722-00	.BRACKET, ADJUSTING	1				
14	86M-25733-00	.PLATE, BACK UP	1				
15	86M-25833-00	.BOLT, FITTING	2				
16	86M-25744-00	.PIN 2	1				
17	95827-10050	BOLT, FLANGE	2				
18	89J-25811-00	PAD, CALIPER 2	1				
19	89J-25911-00	PAD, CALIPER 2	1				

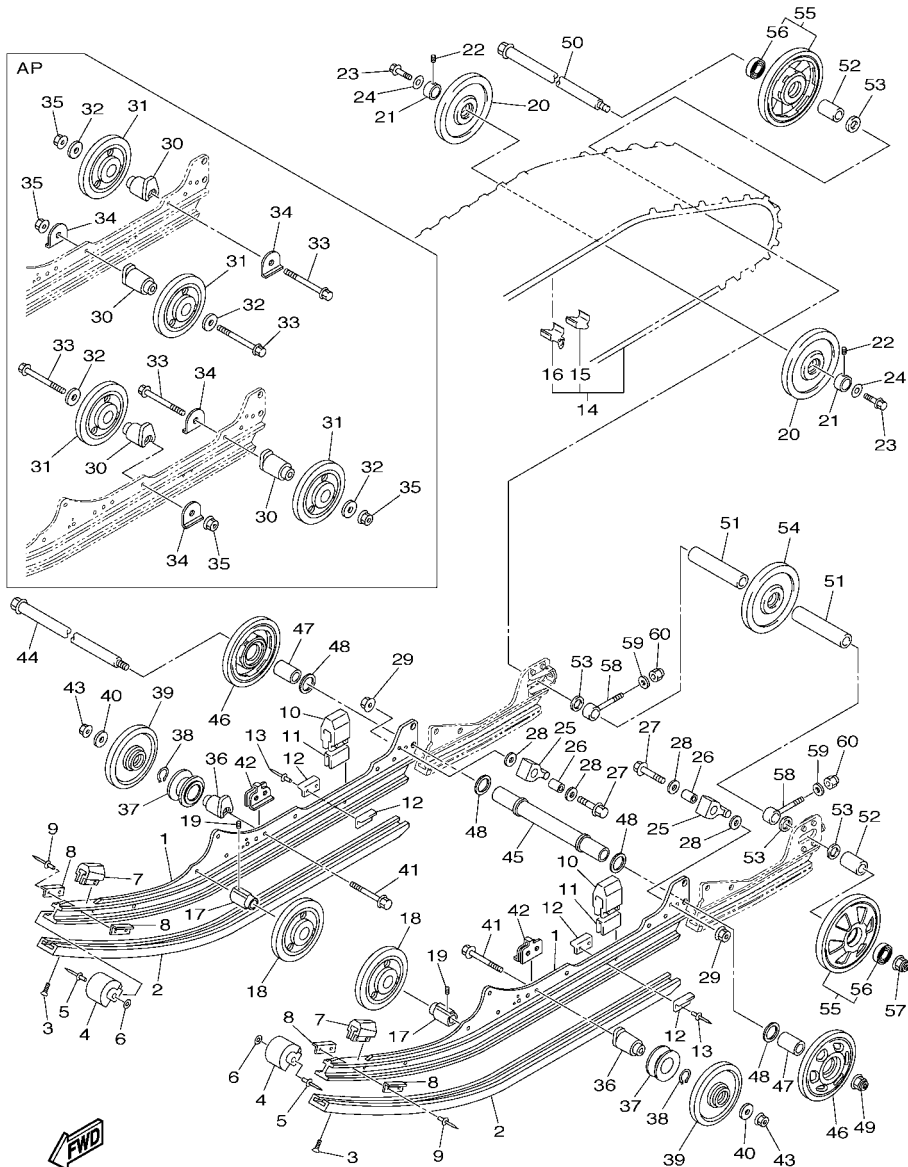
FIG. 20 TRACK SUSPENSION 1



8JN1370-N200

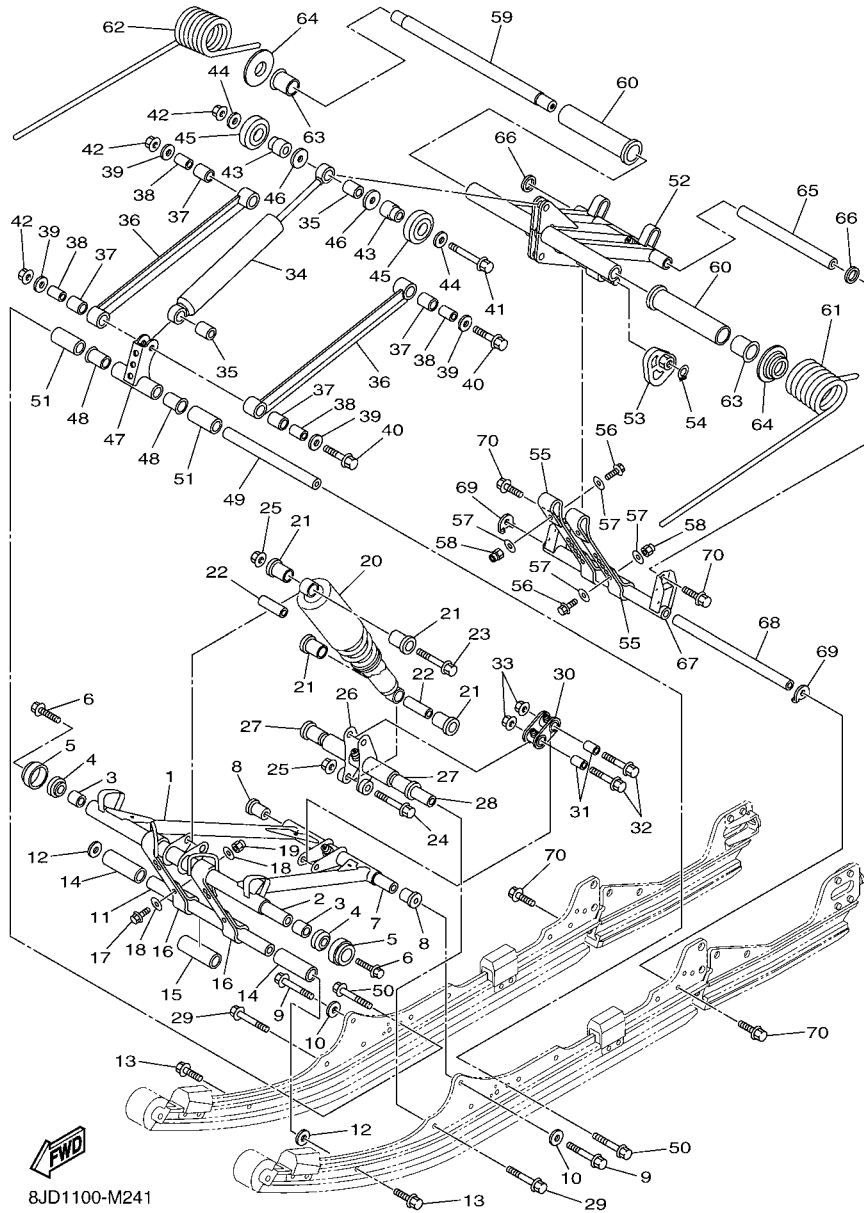
REF. NO.	PART NO.	DESCRIPTION	QTY	REMARKS
1	8JE-4741A-00	FRAME, SLIDING	2	
2	8JD-47421-01	RUNNER, SLIDING 1	1	
3	90151-06010	SCREW, COUNTERSUNK	2	
4	8GL-47422-00	RUNNER, SLIDING 2	2	
5	90267-48194	RIVET, BLIND (4.8X28 SILVER)	4	
6	90201-047R8	WASHER, PLATE	4	
7	8ES-47456-00	DAMPER 1	2	
8	8K2-47458-01	PLATE, DAMPER	4	
9	90267-48199	RIVET, BLIND (4.8X28.3)	4	
10	8AC-47457-00	DAMPER 2	2	
11	8AC-47341-00	SPACER	2	
12	8AX-47458-00	PLATE, DAMPER	4	
13	90267-48199	RIVET, BLIND (4.8X28.3)	4	
14	8JD-47110-01	TRACK ASSY	1	
15	8HR-47113-09	.PLATE, REINFORCEMENT	72	
16	8HR-47115-09	.METAL, SLIDE	36	
17	8ES-47319-01	COLLAR	2	
18	8ES-47310-10	SUSPENSION WHEEL ASSY	2	
19	90113-06039	BOLT, SET	2	
20	8AC-47550-00	GUIDE WHEEL ASSY	2	
21	8JD-47365-00	COLLAR 1	2	
22	90113-06039	BOLT, SET	2	
23	90109-10030	BOLT	2	
24	90201-10072	WASHER, PLATE	2	
25	8JH-47496-00	STOPPER 2	2	
26	90387-105G5	COLLAR	2	
27	97012-10050	BOLT	2	

FIG. 20 TRACK SUSPENSION 1



8JN1370-N200

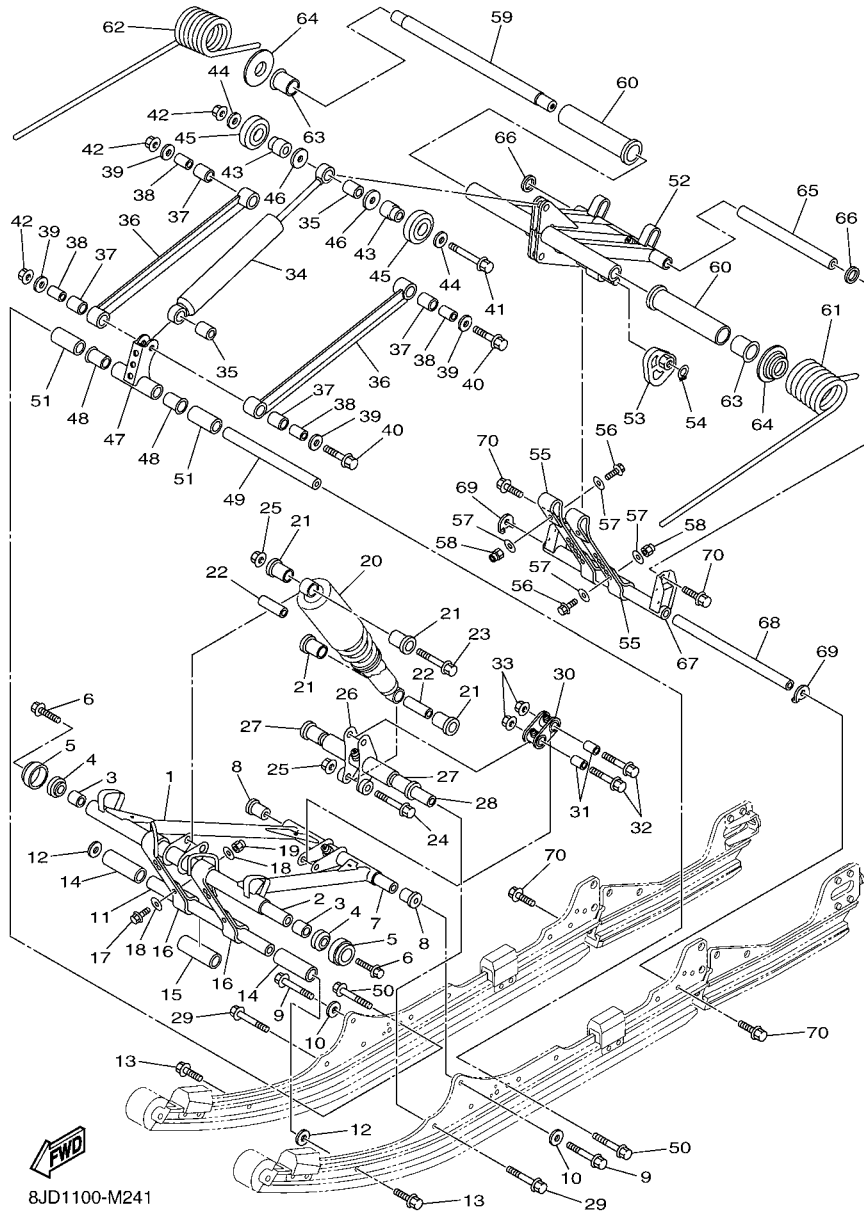
REF. NO.	PART NO.	DESCRIPTION	QTY	REMARKS
28	90201-10051	WASHER, PLATE	4	
29	95602-10200	NUT, U FLANGE	2	
30	8ES-47419-00	BRACKET 7	4	AP
31	8ES-47310-00	SUSPENSION WHEEL ASSY	4	AP
32	90201-101U2	WASHER, PLATE	4	AP
33	95812-10080	BOLT, FLANGE	4	AP
34	90214-10003	WASHER, CLAW	4	AP
35	95602-10200	NUT, U FLANGE	4	AP
36	8ES-47419-10	BRACKET 7	2	
37	8ET-47446-00	HOOK 1	2	
38	99009-35400	CIRCLIP	2	
39	8ES-47310-00	SUSPENSION WHEEL ASSY	2	
40	90201-101U2	WASHER, PLATE	2	
41	95812-10080	BOLT, FLANGE	2	
42	8HP-47384-00	WASHER	2	
43	95602-10200	NUT, U FLANGE	2	
44	8JN-47520-00	REAR AXLE COMP.	1	
45	83R-47469-10	COLLAR 1	1	
46	8HP-47310-10	SUSPENSION WHEEL ASSY	2	
47	90387-20022	COLLAR	2	
48	90201-20022	WASHER, PLATE	4	
49	95602-14200	NUT, SELF-LOCKING	1	
50	8JN-47520-00	REAR AXLE COMP.	1	
51	90387-20023	COLLAR	2	
52	90387-20022	COLLAR	2	
53	90201-20022	WASHER, PLATE	4	
54	8CR-47550-10	GUIDE WHEEL ASSY	1	



8JD1100-M241

FIG. 21 TRACK SUSPENSION 2

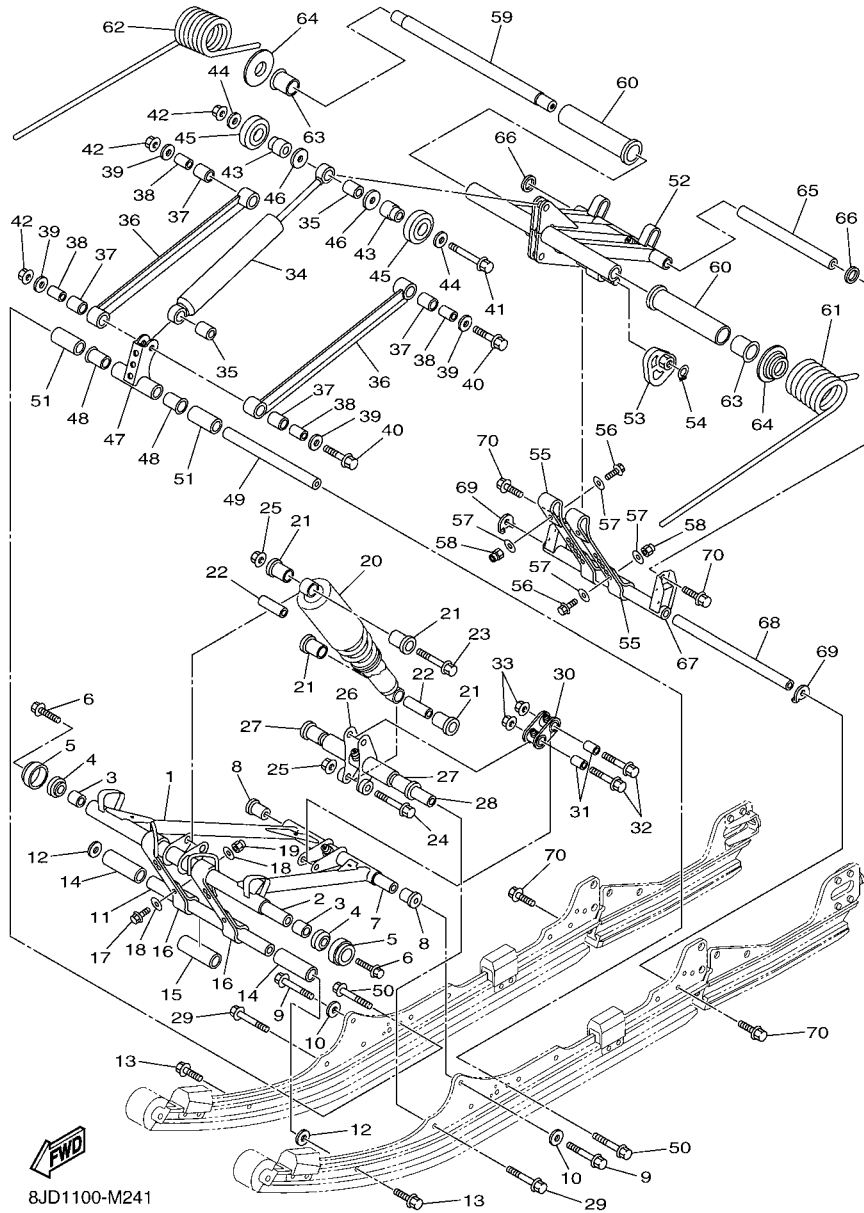
REF. NO.	PART NO.	DESCRIPTION	QTY	REMARKS
1	8JD-47331-00	ARM, PIVOT 1	1	
2	8JD-47465-00	SHAFT 1	1	
3	90383-23002	BUSH, FORMED	2	
4	93108-37011	OIL SEAL	2	
5	8HF-47341-00	SPACER	2	
6	90109-10030	BOLT	2	
7	8JD-47486-00	SHAFT 4	1	
8	90387-10022	COLLAR	2	
9	90105-10329	BOLT, FLANGE	2	
10	90201-10072	WASHER, PLATE	2	
11	83R-47485-02	SHAFT 3	1	
12	90201-10126	WASHER, PLATE	2	
13	90105-10237	BOLT, FLANGE	2	
14	90387-19002	COLLAR	2	
15	90387-19007	COLLAR	1	
16	8JD-47495-00	STOPPER 1	2	
17	97002-06025	BOLT	4	
18	90201-06081	WASHER, PLATE	8	
19	95702-06300	NUT, NYLON	4	
20	8AC-47481-00	SHOCK ABSORBER 2	1	
21	90381-14101	BUSH, SOLID	4	
22	90387-105G5	COLLAR	2	
23	95812-10045	BOLT, FLANGE	1	
24	95812-10070	BOLT, FLANGE	1	
25	95602-10200	NUT, U FLANGE	2	
26	8JD-47349-00	BRACKET, ARM PIVOT	1	
27	90386-20001	BUSH	2	



8JD1100-M241

FIG. 21 TRACK SUSPENSION 2

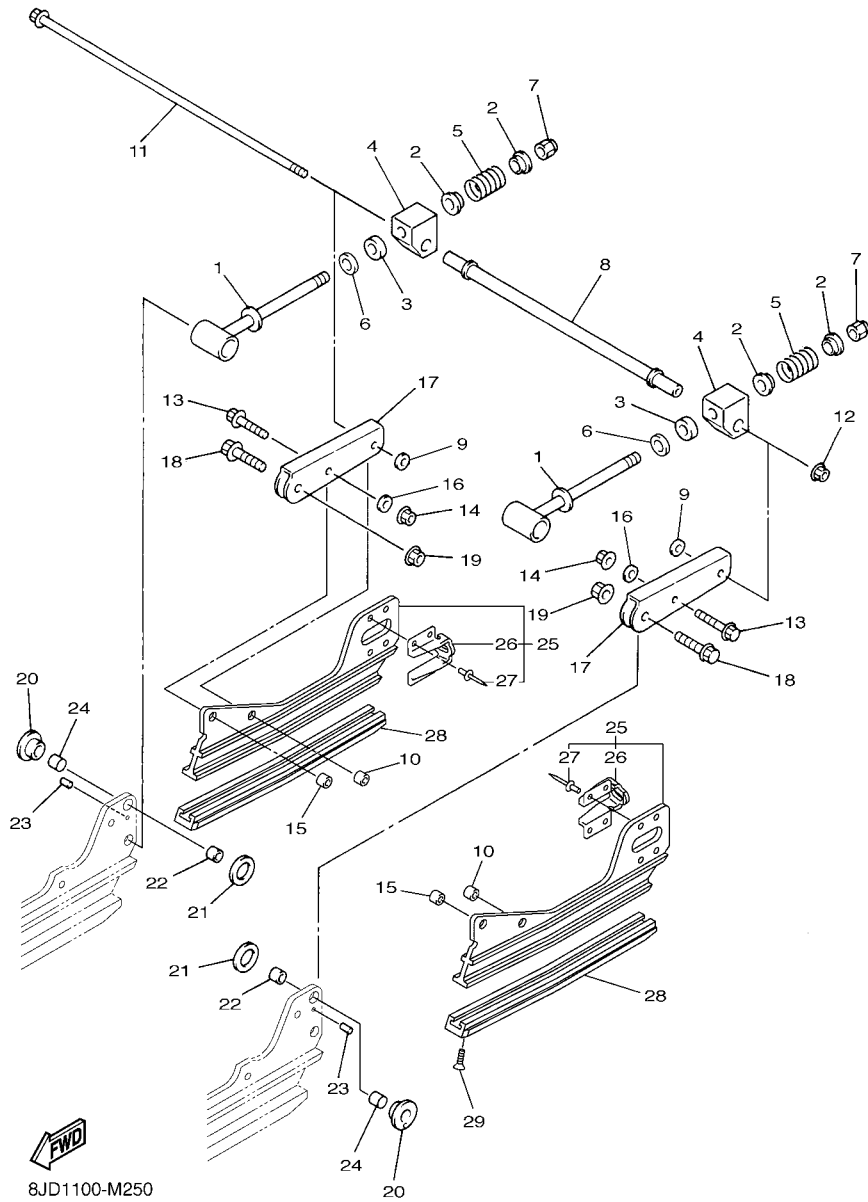
REF. NO.	PART NO.	DESCRIPTION	QTY	REMARKS
28	8JD-47487-00	SHAFT 5	1	
29	90105-10209	BOLT, FLANGE	2	
30	8FK-47416-01	BRACKET 2	1	
31	90387-10024	COLLAR	2	
32	95812-10050	BOLT, FLANGE	2	
33	95602-10200	NUT, U FLANGE	2	
34	8JD-47480-00	SHOCK ABSORBER	1	
35	90387-10023	COLLAR	2	
36	8HF-47494-00	ROD, RELAY	2	
37	90386-16001	BUSH	4	
38	90387-101A1	COLLAR	4	
39	90201-10043	WASHER, PLATE	4	
40	95812-10090	BOLT, FLANGE	2	
41	90105-10027	BOLT, FLANGE	1	
42	95602-10200	NUT, U FLANGE	3	
43	8AC-47366-00	COLLAR 2	2	
44	90201-10136	WASHER, PLATE	2	
45	8AC-47310-10	SUSPENSION WHEEL ASSY	2	
46	90201-103U7	WASHER, PLATE	2	
47	8JD-47349-10	BRACKET, ARM PIVOT	1	
48	90386-20001	BUSH	2	
49	8JD-47487-10	SHAFT 5	1	
50	90105-10209	BOLT, FLANGE	2	
51	8HP-47319-00	COLLAR	2	
52	8JD-47332-00	ARM, PIVOT 2	1	
53	8ES-47447-00	HOOK 2	2	
54	99009-14400	CIRCLIP	2	



8JD1100-M241

FIG. 21 TRACK SUSPENSION 2

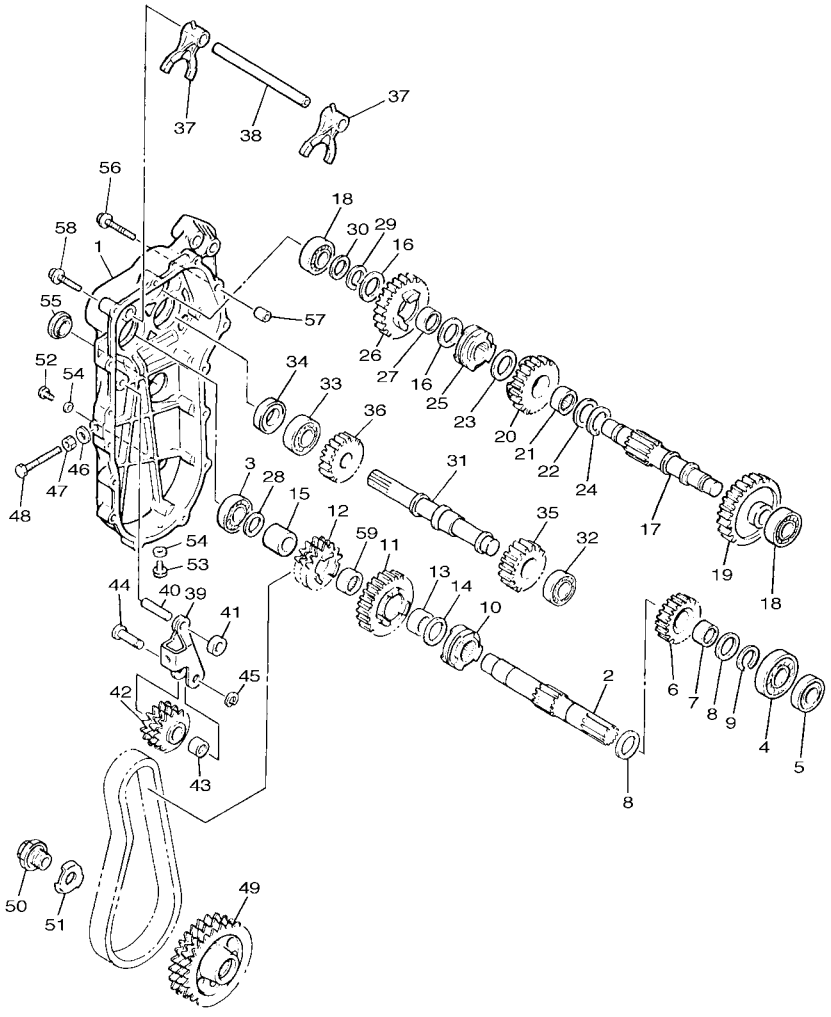
REF. NO.	PART NO.	DESCRIPTION	QTY	REMARKS
55	8JD-47496-00	STOPPER 2	2	
56	97002-06025	BOLT	4	
57	90201-06081	WASHER, PLATE	8	
58	95702-06300	NUT, NYLON	4	
59	8JD-47475-00	SHAFT 2	1	
60	8GL-47445-00	PROTECTOR	2	
61	8FM-47473-10	SPRING, REAR 1(K=3200NMM/DEG)	1	
62	8FM-47474-10	SPRING, REAR 2(K=3200NMM/DEG)	1	
63	90381-28108	BUSH, SOLID	2	
64	8ES-47467-00	PLATE, GUIDE	2	
65	8JD-47488-00	SHAFT 6	1	
66	90201-19008	WASHER, PLATE	2	
67	8JD-47417-00	BRACKET 3	1	
68	83R-47485-02	SHAFT 3	1	
69	90214-10007	WASHER, CLAW	2	
70	90105-10237	BOLT, FLANGE	4	



8JD1100-M250

FIG. 22 TRACK SUSPENSION 3

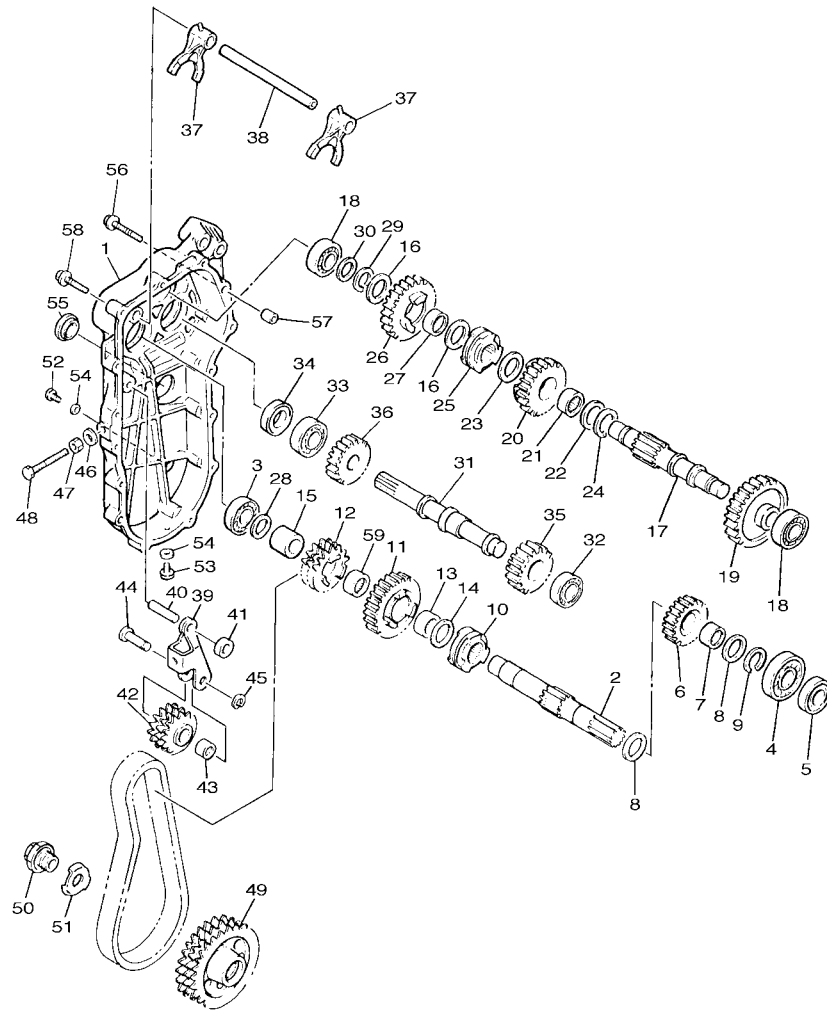
REF. NO.	PART NO.	DESCRIPTION	QTY				REMARKS
1	83R-47337-10	SHAFT, PIVOT	2				
2	83R-23768-00	SEAT, SPRING 1	4				
3	83R-47335-00	SPRING	2				
4	83R-47446-00	HOOK 1	2				
5	90501-407E4	SPRING, COMPRESSION	2				
6	90201-12317	WASHER, PLATE	2				
7	90185-12058	NUT, SELF-LOCKING	2				
8	8AC-47478-10	COLLAR 2	1				
9	90201-08649	WASHER, PLATE	2				
10	90387-082J1	COLLAR	2				
11	90105-08483	BOLT, FLANGE	1				
12	95602-08200	NUT, SELF-LOCKING	1				
13	95812-08035	BOLT, FLANGE	2				
14	95602-08200	NUT, SELF-LOCKING	2				
15	90387-082J1	COLLAR	2				
16	90201-08649	WASHER, PLATE	2				
17	8FM-47333-10	ARM, PIVOT 3	2				
18	95812-10030	BOLT, FLANGE	2				
19	90185-10019	NUT, SELF-LOCKING	2				
20	90387-1815A	COLLAR	2				
21	90202-22238	WASHER, PLATE	2				
22	90387-1014Y	COLLAR	2				
23	91609-30008	PIN, SPRING	2				
24	90380-16109	BUSH, SOLID	2				
25	8FM-W4741-10	FRAME, SLIDING	2				
26	8DM-4741B-00	.BRACKET	1				
27	8V0-47468-00	.RIVET	4				



8JD2100-N270

FIG. 24 TRACK DRIVE 2

REF. NO.	PART NO.	DESCRIPTION	QTY	REMARKS
1	83R-47543-00	CAP, HOUSING	1	
2	85R-17421-00	AXLE, DRIVE	1	
3	93306-20402	BEARING	1	
4	93306-37206	BEARING	1	
5	93102-22014	OIL SEAL	1	
6	83R-17121-00	GEAR, 2ND PINION (22T)	1	
7	93311-42265	BEARING	1	
8	90201-224L4	WASHER, PLATE	2	
9	99009-22400	CIRCLIP	1	
10	83R-17492-10	DOG, TRANSMISSION SHIFT	1	
11	8AT-17131-00	GEAR, 3RD PINION (28T)	1	
12	8JD-17682-00	SPROCKET, CHAIN DRIVE (18T)	1	
13	93317-32241	BEARING	1	
14	90201-224L4	WASHER, PLATE	1	
15	90387-226V7	COLLAR	1	
16	90201-20792	WASHER, PLATE	2	
17	83R-17431-00	AXLE, COUNTER	1	
18	93306-20321	BEARING	2	
19	8AT-17141-00	GEAR, 4TH PINION (28T)	1	
20	83R-17151-00	GEAR, 5TH PINION (22T)	1	
21	93317-32241	BEARING	1	
22	90201-224L4	WASHER, PLATE	1	
23	90201-225L2	WASHER, PLATE	1	
24	99009-22400	CIRCLIP	1	
25	83R-17492-10	DOG, TRANSMISSION SHIFT	1	
26	83R-17143-00	GEAR, REVERSE PINION 1 (27T)	1	
27	93317-22021	BEARING	1	



8JD2100-N270

FIG. 24 TRACK DRIVE 2

REF. NO.	PART NO.	DESCRIPTION	QTY	REMARKS
28	90201-20792	WASHER, PLATE	1	
29	99009-20400	CIRCLIP	1	
30	90201-171J5	WASHER, PLAIN	1	
31	83R-17432-01	AXLE, IDLE	1	
32	93306-20321	BEARING	1	
33	93306-20402	BEARING	1	
34	93102-20010	OIL SEAL	1	
35	83R-17243-00	GEAR, REVERSE WHEEL 1 (19T)	1	
36	83R-17153-00	GEAR, REVERSE PINION 2 (20T)	1	
37	83R-18511-00	FORK, SHIFT 1	2	
38	83R-18531-00	BAR, SHIFT FORK GUIDE 1	1	
39	83R-47613-00	HOLDER	1	
40	93612-44229	PIN, DOWEL	1	
41	90387-121E8	COLLAR	1	
42	83R-47612-00	WHEEL	1	
43	93315-21227	BEARING	1	
44	90249-12216	PIN	1	
45	99009-12400	CIRCLIP	1	
46	90210-10004	WASHER, SEAL	1	
47	95302-10700	NUT	1	
48	90101-10357	BOLT	1	
49	8JD-47548-00	SPROCKET, CHAIN DRIVEN (22T)	1	
50	90105-27484	BOLT, FLANGE	1	
51	90215-39268	WASHER, LOCK	1	
52	97007-06010	BOLT	1	
53	98907-06008	SCREW, BIND	1	
54	90430-06016	GASKET	2	



8ACT100-K290

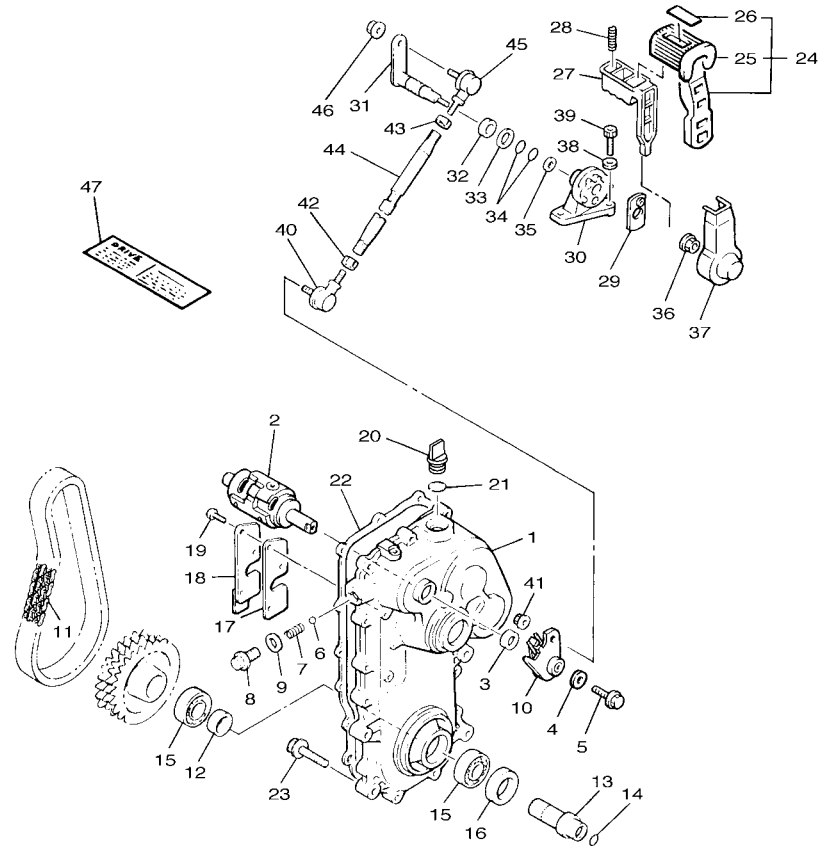
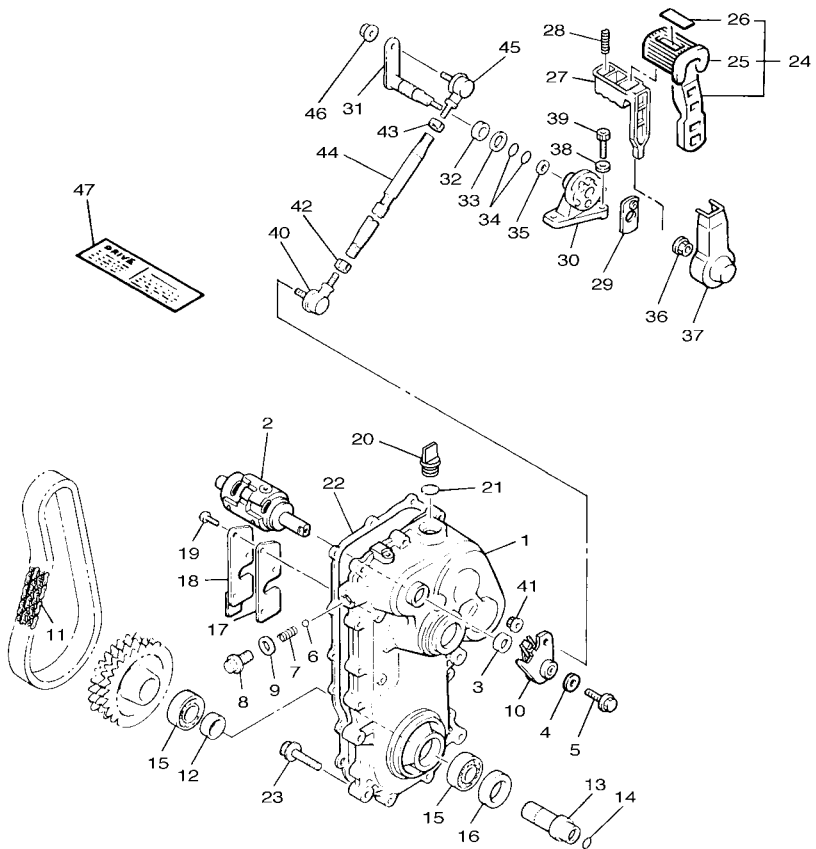


FIG. 25 TRACK DRIVE 3

REF. NO.	PART NO.	DESCRIPTION	QTY	REMARKS
1	87R-47541-00	HOUSING, CHAIN	1	
2	89N-18540-00	SHIFT CAM ASSY	1	
3	93102-15212	OIL SEAL	1	
4	90201-06072	WASHER, PLATE	1	
5	90105-06405	BOLT, FLANGE	1	
6	93503-08007	BALL	1	
7	90501-147A6	SPRING, COMPRESSION	1	
8	90105-14003	BOLT, FLANGE	1	
9	90430-14194	GASKET	1	
10	89N-18130-01	SHIFT SHAFT ASSY	1	
11	94880-06070	CHAIN (DID35P-3)	1	
12	90387-405T8	COLLAR	1	
13	83R-47571-00	JOURNAL 1	1	
14	93210-28763	O-RING	1	
15	93306-90802	BEARING	2	
16	93102-46394	OIL SEAL	1	
17	85R-47544-01	GASKET	1	
18	88N-47591-00	PLATE	1	
19	90154-06050	SCREW, BINDING	3	
20	3Y1-15363-10	PLUG, OIL	1	
21	93210-19123	O-RING	1	
22	85R-47592-00	GASKET	1	
23	95812-08040	BOLT, FLANGE	4	
24	83R-18150-00	SHIFT LEVER ASSY	1	
25	52G-18113-00	.COVER, SHIFT PEDAL	1	
26	83R-1815A-00	.LABEL	1	
27	59V-18174-00	KNOB, SHIFT LEVER	1	

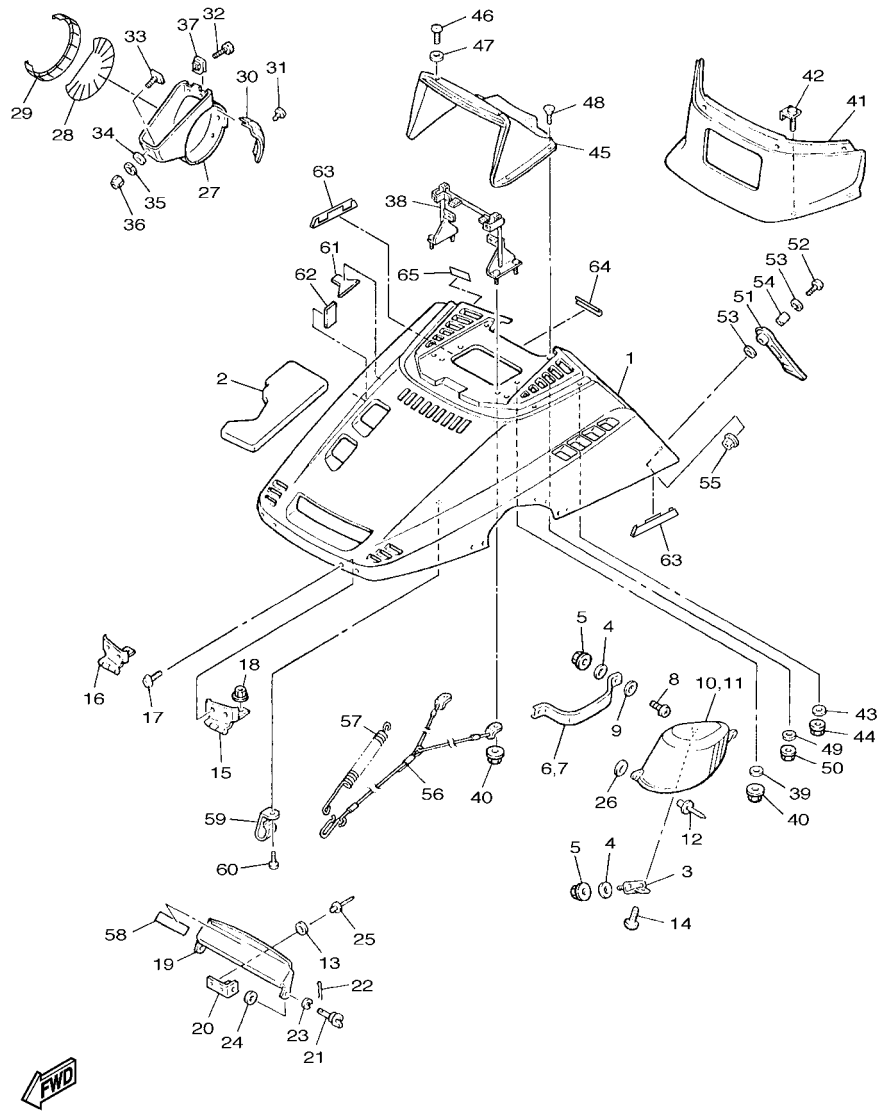
FIG. 25 TRACK DRIVE 3



REF. NO.	PART NO.	DESCRIPTION	QTY	REMARKS
28	90501-101A7	SPRING, COMPRESSION	1	
29	59V-18561-00	PLATE, SIDE 1	1	
30	83R-18153-00	GUIDE, SHIFT RETURN SPRING	1	
31	83R-18341-00	SHAFT, RINK	1	
32	90387-145T7	COLLAR	1	
33	90201-144J2	WASHER, PLATE	1	
34	93210-10010	O-RING	2	
35	90201-064J1	WASHER, PLATE	1	
36	95702-06500	NUT, FLANGE	1	
37	59V-18433-00	COVER, SHIFT SPRING	1	
38	92902-06600	WASHER, PLATE	3	
39	91312-06025	BOLT	3	
40	3X3-18157-10	JOINT 2	1	
41	95702-06500	NUT, FLANGE	1	
42	95312-08600	NUT	1	
43	90170-08261	NUT	1	
44	83R-18116-00	JOINT, ROD 1	1	
45	3X3-18156-10	JOINT 1	1	
46	95702-06500	NUT, FLANGE	1	
47	8JD-47578-00	LABEL 1	1	



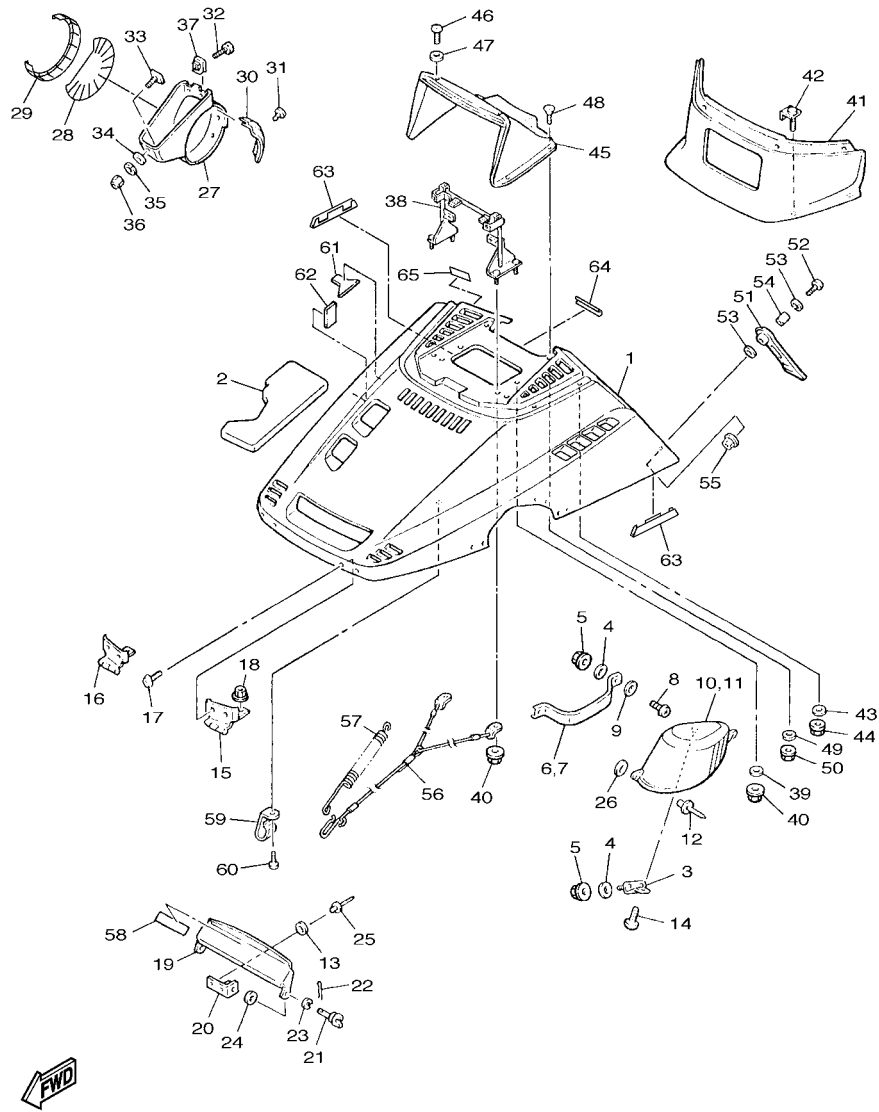
8ACT100-K290



8JN1370-N260

FIG. 26 SHROUD

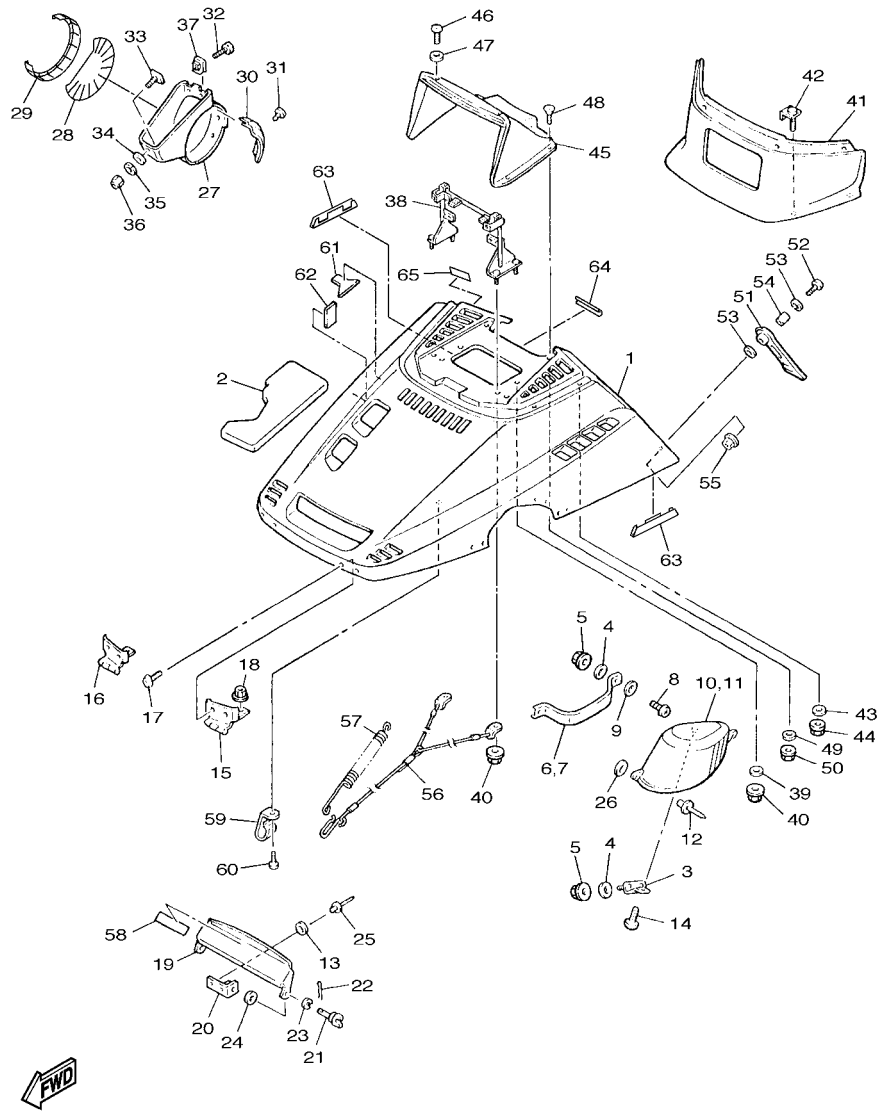
REF. NO.	PART NO.	DESCRIPTION	QTY	REMARKS
1	8AC-77111-B0-P2	SHROUD	1	SMX
2	8JD-77268-00	LINING,SHROUD 8	1	
3	8AT-77125-00	STAY 1	2	
4	92902-06200	WASHER	8	
5	95702-06300	NUT, NYLON	8	
6	8AT-77153-00	PLATE, BACK UP 1	1	
7	8AT-77154-00	PLATE, BACK UP 2	1	
8	92502-06020	SCREW, PAN HEAD	4	
9	92902-06600	WASHER, PLATE	4	
10	8AT-77121-00	HOOD 3 (L.H)	1	
11	8AT-77122-00	HOOD 4 (R.H)	1	
12	90267-48018	RIVET, BLIND (4.8X18.6 BLACK)	4	
13	90201-043H7	WASHER, PLATE	4	
14	97702-50016	SCREW, TAPPING	2	
15	83R-77140-01	HINGE ASSY	1	
16	83R-7714A-01	HINGE ASSY 2	1	
17	98907-06014	SCREW, BIND	4	
18	95702-06300	NUT, NYLON	4	
19	83R-77185-00	PLATE 1	1	
20	83R-77125-00	STAY 1	2	
21	90122-05022	BOLT, WING	2	
22	90468-10003	CLIP	2	
23	92907-05100	WASHER, SPRING	2	
24	90202-05088	WASHER, PLATE	2	
25	90267-48079	RIVET, BLIND (4.8X16.1)	4	
26	90201-043H7	WASHER, PLATE	4	
27	83R-77194-00	DUCT	1	



8JN1370-N260

FIG. 26 SHROUD

REF. NO.	PART NO.	DESCRIPTION	QTY	REMARKS
28	8JD-7717E-00	TAPE 1	1	
29	8JD-7717F-00	TAPE 2	1	
30	83R-77515-00	BUSH, RUBBER 1	1	
31	90269-05039	RIVET	3	
32	98902-06014	SCREW, BIND	2	
33	83R-77186-00	PLATE 2	1	
34	90201-06078	WASHER, PLATE	1	
35	92902-06100	WASHER, SPRING	1	
36	95302-06600	NUT	1	
37	83R-77144-00	NUT	2	
38	83R-77241-00	SRAY,FAIRING	1	
39	90201-06078	WASHER, PLATE	3	
40	95702-06300	NUT, NYLON	4	
41	8AC-77231-40	FAIRING	1	
42	83R-77212-00	BOLT, WIND SHIELD	4	
43	90201-06078	WASHER, PLATE	2	
44	95702-06300	NUT, NYLON	4	
45	86V-77251-01	COVER, HEADLIGHT	1	
46	98907-05012	SCREW, BIND	2	
47	90201-06042	WASHER, PLATE	2	
48	98707-05016	SCREW, FLAT HEAD	4	
49	90201-05029	WASHER, PLATE	4	
50	95702-05300	NUT, NYLON	4	
51	8JN-77171-00	BODY, LATCH 1	2	
52	98907-06025	SCREW, BIND	2	
53	90201-06557	WASHER, PLATE	4	
54	90387-06241	COLLAR	2	



8JN1370-N260

FIG. 26 SHROUD

REF. NO.	PART NO.	DESCRIPTION	QTY	REMARKS
55	95702-06500	NUT, FLANGE	2	
56	83R-77118-01	STOPPER, SHROUD	1	
57	838-77159-00	CLAMP, ROD	1	
58	8AC-2815P-S0	LABEL, NOTICE 1	1	
59	90461-08113	CLAMP	3	
60	97702-50016	SCREW, TAPPING	2	
61	8AT-2199H-00	SHIELD, HEAT	1	
62	8AT-77196-00	DAMPER, SHROUD	1	
63	8JN-77196-00	DAMPER, SHROUD	2	
64	8JN-77588-00	DAMPER	1	
65	8JN-77764-R0	LABEL, WARNING 4	1	

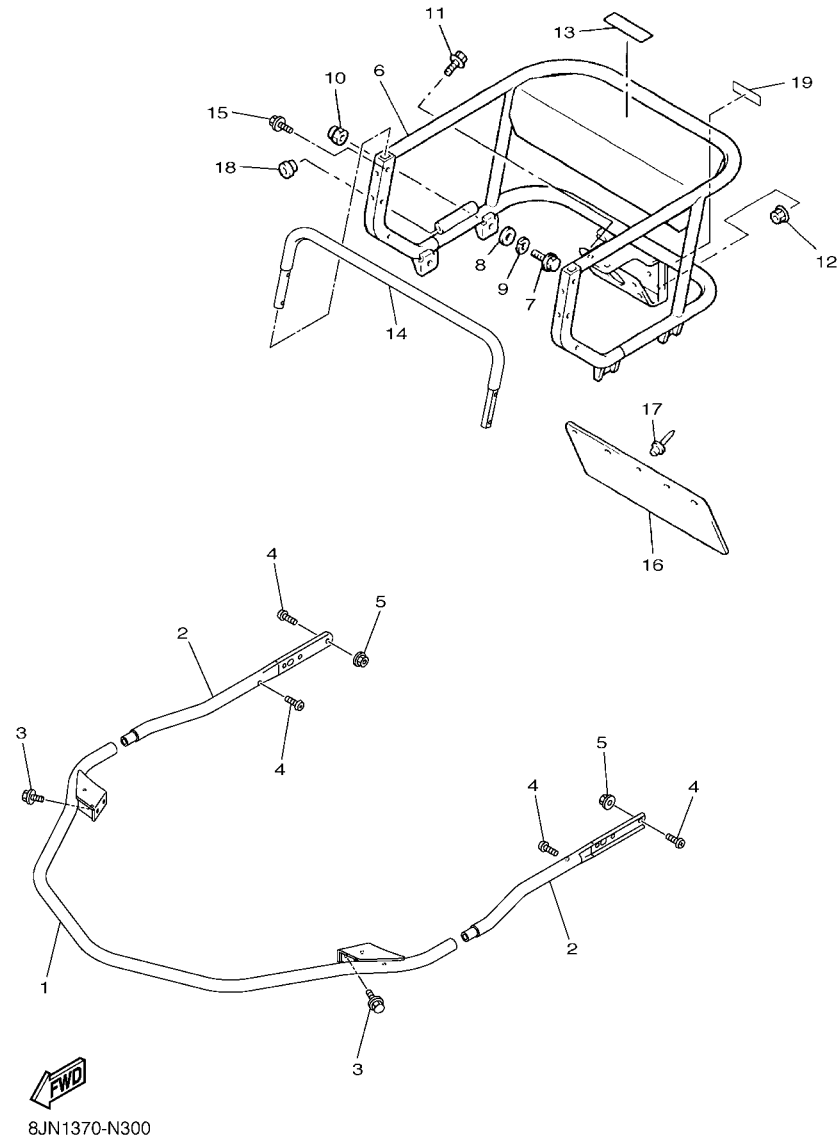
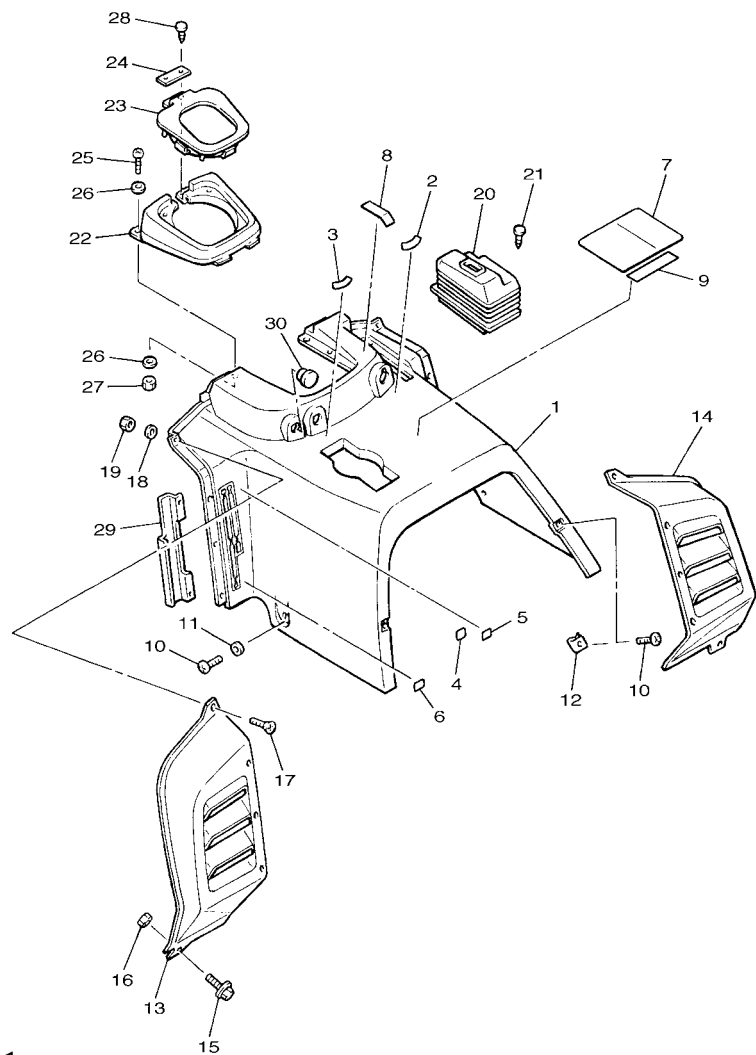


FIG. 30 BUMPER

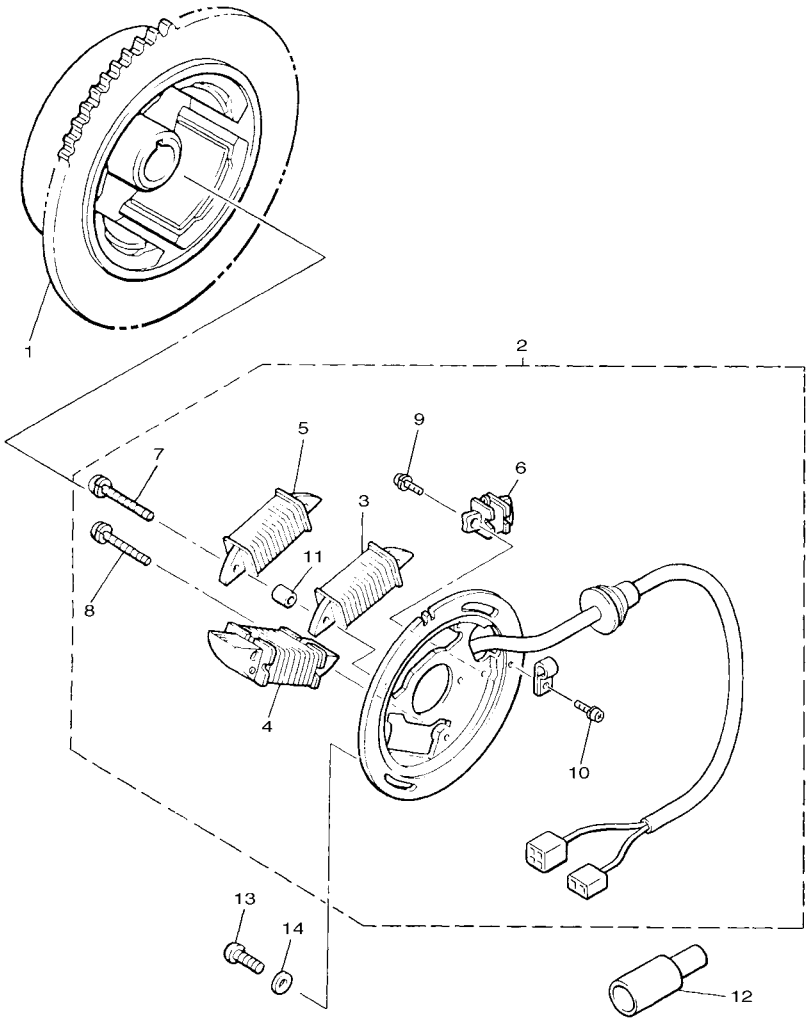
REF. NO.	PART NO.	DESCRIPTION	QTY	REMARKS
1	8JN-77511-00	BUMPER, FRONT 1	1	
2	8JN-77513-00	BUMPER, FRONT 3	2	
3	90105-08408	BOLT, FLANGE	4	
4	90149-08230	SCREW	7	
5	95702-08500	NUT, FLANGE	1	
6	8AC-77540-00	REAR BUMPER COMP.	1	
7	95822-08014	BOLT, FLANGE	4	
8	92907-08200	WASHER	4	
9	92907-08100	WASHER, SPRING	4	
10	95307-08800	NUT	4	
11	95827-08020	BOLT, FLANGE	6	
12	95602-08200	NUT, SELF-LOCKING	4	
13	8FM-24897-11	EMBLEM	1	
14	8JN-78174-00	STAY, REAR BUMPER	1	
15	95807-08020	BOLT, FLANGE	4	
16	83R-77595-00	FLAP	1	
17	90267-48086	RIVET, BLIND (4.8X19 BLACK)	5	
18	90480-15268	GROMMET	2	
19	8HF-2817S-00	LABEL, PULLING LOAD LIMIT	1	

FIG. 31 INSTRUMENT PANEL



8JN1370-N310

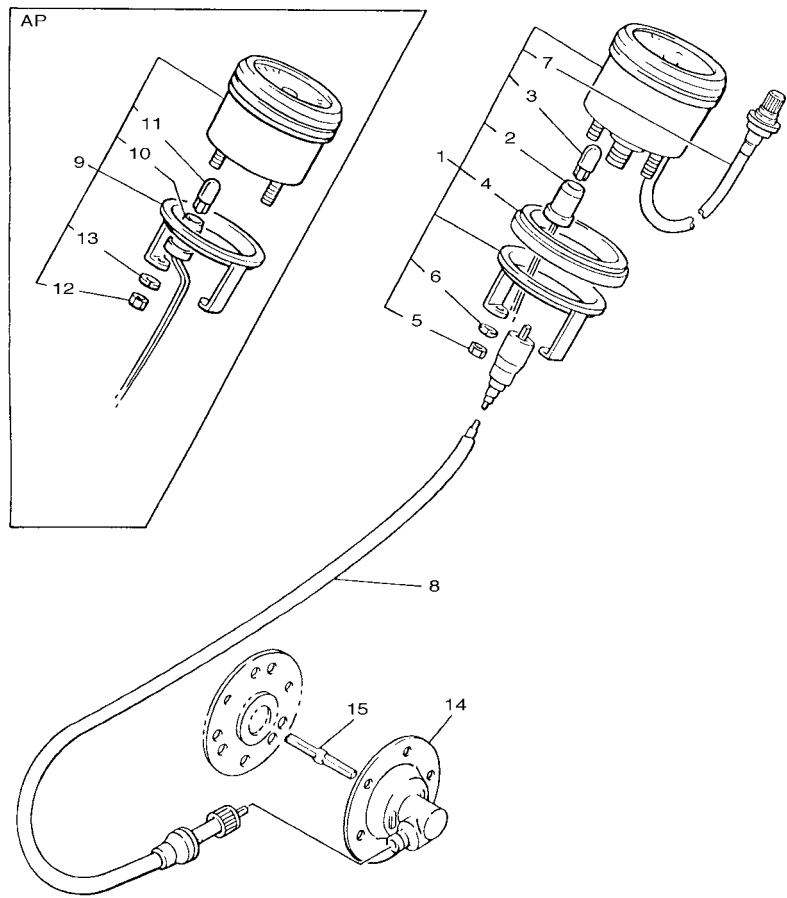
REF. NO.	PART NO.	DESCRIPTION	QTY	REMARKS
1	86V-77711-00	PANEL, INSTRUMENT	1	
2	8U9-77741-00	INDICATOR 1	1	
3	8U9-77742-00	INDICATOR 2	1	
4	87A-77743-00	INDICATOR 3	1	
5	87A-77741-00	INDICATOR 1	1	
6	87A-77745-00	INDICATOR 5	1	
7	8AC-77761-R1	LABEL, WARNING 1	1	
8	83R-77741-00	INDICATOR 1	1	
9	8JN-2415E-R0	LABEL, CAUTION	1	
10	98907-06016	SCREW, BIND	4	
11	90387-060U0	COLLAR	2	
12	83R-77144-00	NUT	2	
13	83R-77131-01	LOUVER 1	1	
14	83R-77132-01	LOUVER 2	1	
15	95802-06016	BOLT, FLANGE	2	
16	95702-06300	NUT, NYLON	2	
17	98707-04016	SCREW, FLAT HEAD	7	
18	90201-047A2	WASHER, PLATE	5	
19	95702-04300	NUT, FLANGE	5	
20	83R-77731-00	SHIELD 1	1	
21	90269-05055	RIVET	4	
22	83R-77712-00	PANEL, INSTRUMENT	1	
23	83R-77740-00	GROMMET, INSTRUMENT PANEL	1	
24	83R-77728-00	WASHER	1	
25	98907-05016	SCREW, BIND	2	
26	90201-054K4	WASHER, PLATE	4	
27	95707-05300	NUT, FLANGE	2	



FWD
8JD1100-M350

FIG. 32 GENERATOR

REF. NO.	PART NO.	DESCRIPTION	QTY	REMARKS
1	8AT-85550-01	ROTOR ASSY	1	
2	8AT-85560-10	BASE ASSY	1	
3	81L-85520-M0	.COIL, CHARGE	1	
4	81L-81313-M0	.COIL, LIGHTING 1	1	
5	81L-81314-M0	.COIL, LIGHTING 2	1	
6	8R4-85580-M0	.COIL, PULSER	1	
7	90159-05130	.SCREW, WITH WASHER	2	
8	90159-05129	.SCREW, WITH WASHER	2	
9	97607-04112	.SCREW, WITH WASHER	2	
10	97607-04108	.SCREW, WITH WASHER	1	
11	90387-06299	.COLLAR	2	
12	8Y0-82599-00	COVER, CONNECTER	1	
13	98907-06016	SCREW, BIND	2	
14	90201-06043	WASHER, PLATE	2	



8JN1370-N330

FIG. 33 METER

REF. NO.	PART NO.	DESCRIPTION	QTY	REMARKS
1	86V-83510-20	SPEEDOMETER ASSY (KM/H)	1	
2	8V7-83536-40	.SOCKET, METER	1	
3	4R0-83517-00	.BULB (12V-3.4W T10)	1	
4	8G6-83523-00	.DAMPER	1	
5	95302-05600	.NUT	2	
6	92902-05100	.WASHER, SPRING	2	
7	8K1-83603-00	.TRIP METER CABLE ASSY	1	
8	8H4-83560-00	METER CABLE ASSY	1	
9	85L-83540-00	TACHOMETER ASSY	1	AP
10	85L-83509-00	.SOCKET CORD ASSY	1	
11	4R0-83517-00	.BULB (12V-3.4W T10)	1	
12	95380-05600	.NUT	4	
13	92990-05100	.WASHER, SPRING	4	
14	8JD-47700-00	METER GEAR HOUSING COMP.	1	
15	8K4-47715-00	JOINT	1	

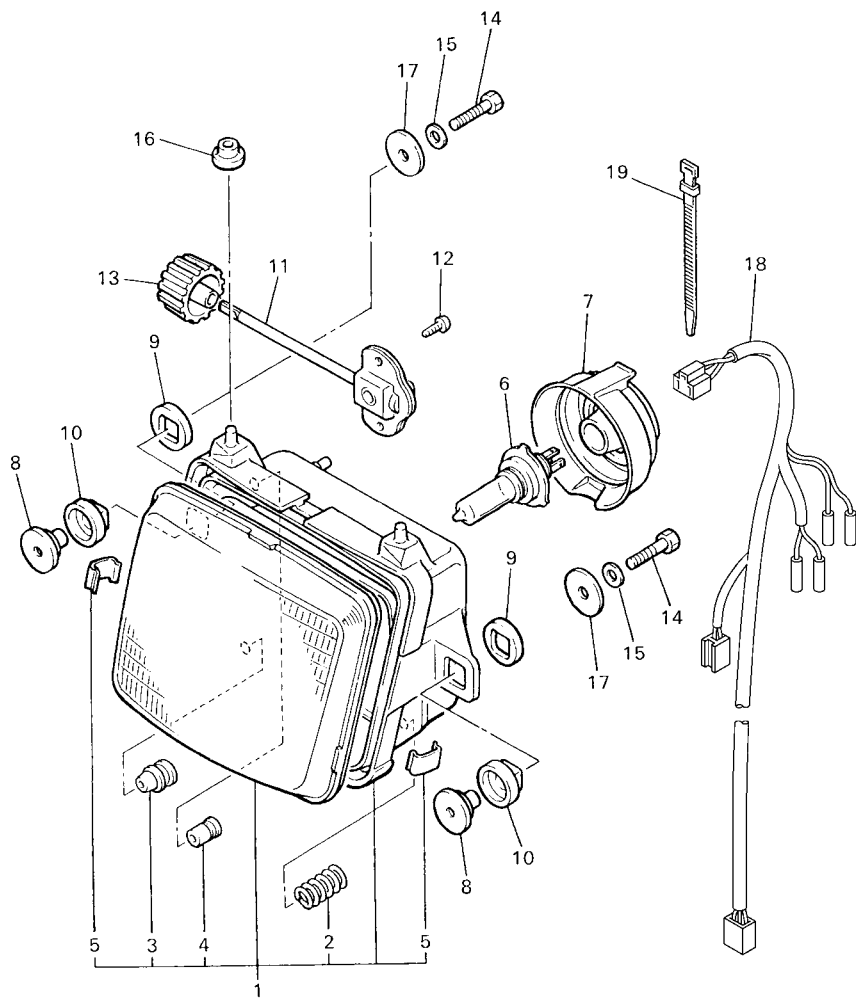


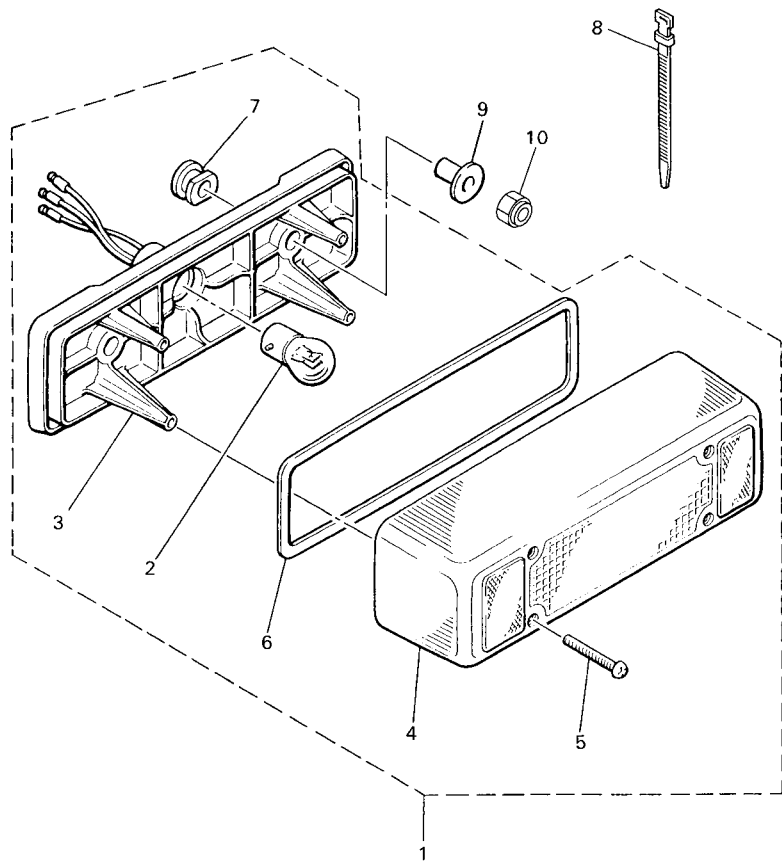
FIG. 34 HEADLIGHT

REF. NO.	PART NO.	DESCRIPTION	QTY	REMARKS
1	83R-8430A-G0	HEAD LIGHT UNIT ASSY	1	
2	51L-84332-00	.SPRING, SCREW	1	
3	51L-8431U-00	.HOLDER	1	
4	51L-84334-00	.NUT, ADJUSTING	2	
5	36Y-84324-00	.SPRING, REFLECTOR	3	
6	2F9-84314-00	BULB (12V-60/55W)	1	(H4)HALOGEN
7	36Y-84397-00	COVER, SOCKET	1	
8	498-84145-60	COLLAR, BODY FITTING	2	
9	498-84164-60	DAMPER	2	
10	498-84163-60	DAMPER	2	
11	83R-8430M-00	GEAR UNIT ASSY	1	
12	97707-40616	SCREW, TAPPING	2	
13	26H-8432M-00	KNOB ASSY	1	
14	97007-08040	BOLT	2	
15	92907-08600	WASHER, PLATE	2	
16	36Y-84354-00	GROMMET	2	
17	90201-08766	WASHER, PLATE	2	
18	8JD-84359-00	CORD, HEADLIGHT	1	
19	437-83936-01	BAND, SWITCH CORD	1	



8JD1100-M380

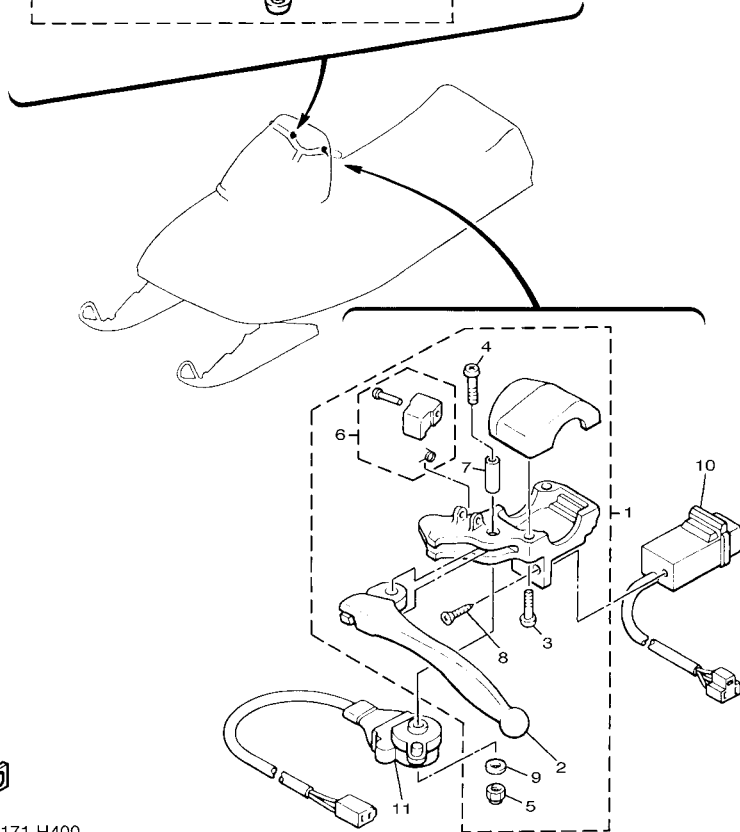
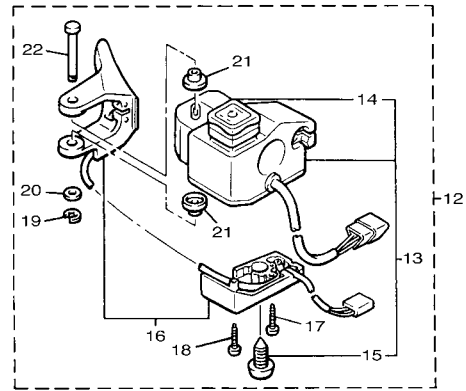
FIG. 35 TAILLIGHT



REF. NO.	PART NO.	DESCRIPTION	QTY	REMARKS
1	8JN-84710-00	TAILLIGHT UNIT ASSY	1	
2	1A2-84714-41	.BULB (12V-21/5W)	1	
3	8K4-84711-01	.BASE, TAILLIGHT	1	
4	8K4-84733-01	.LENS, 1	1	
5	97701-40130	.SCREW, PANHEAD TAPPING	4	
6	87M-84723-00	.GASKET, TAIL LENS	1	
7	8K4-84718-00	.GROMMET	2	
8	90465-10098	CLAMP	1	
9	90387-066N1	COLLAR	2	
10	95602-06100	NUT, U	2	



8JD1100-M390



8ACN171-H400

FIG. 36 HANDLE SWITCH & LEVER

REF. NO.	PART NO.	DESCRIPTION	QTY	REMARKS
1	88R-W8291-00	LEVER HOLDER ASSY (LEFT)	1	
2	8H8-83912-00	.LEVER 1	1	
3	90157-05027	.SCREW, PAN HEAD	2	
4	8R4-82113-00	.SCREW	1	
5	95702-05300	.NUT, NYLON	1	
6	8K4-W8393-00	.LEVER LOCK ASSY	1	
7	802-83913-00	.COLLAR, LEVER 1	1	
8	8R4-8252V-00	.SCREW, SPECIAL	1	
9	92902-05200	.WASHER	1	
10	8K4-83950-01	BEAM SWITCH ASSY	1	
11	88R-82530-00	STOP SWITCH ASSY	1	
12	8AU-82720-02	LEVER HOLDER ASSY (RIGHT)	1	
13	8AU-83963-00	.SWITCH, HANDLE 3	1	
14	8AU-82575-09	..ENGINE STOP SWITCH ASSY	1	WIRE/L=240MM
15	8R6-83928-00	..SCREW	1	
16	8AU-82970-02	.THUMB WARMER ASSY	1	
17	97706-30620	.SCREW, TAPPING	1	
18	97706-30630	.SCREW, TAPPING	1	
19	99001-04600	.CIRCLIP	1	
20	85G-83663-00	.WASHER, SPECIAL	1	
21	85G-83956-00	.CAP 1	2	
22	88T-8399F-00	.SHAFT	1	

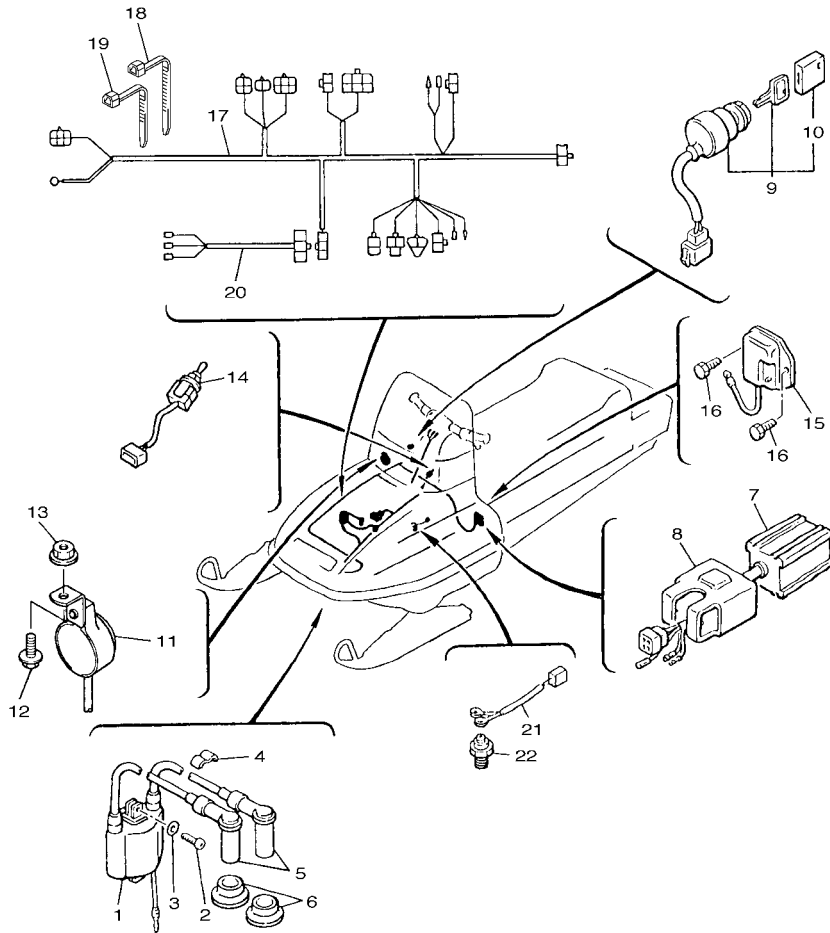


FIG. 37 ELECTRICAL 1

REF. NO.	PART NO.	DESCRIPTION	QTY	REMARKS
1	88T-82310-01	IGNITION COIL ASSY	1	
2	97880-06020	SCREW, PAN HEAD	2	
3	92990-06600	WASHER, PLATE	2	
4	861-82361-00	CLAMP, CORD	1	
5	8K1-82370-20	PLUG CAP ASSY (WITH RESISTOR)	2	
6	8G5-82372-00	SEAL, PLUG CAP	2	
7	8AU-85540-00	C.D.I. UNIT ASSY	1	
8	2A7-85546-00	BAND	1	
9	8K1-82510-20	MAIN SWITCH ASSY	1	
10	526-82579-00	.CAP, KEY	2	
11	87L-83383-01	BUZZER	1	
12	95822-06016	BOLT, FLANGE	1	
13	95602-06200	NUT, SELF-LOCKING	1	
14	8JD-82917-00	SWITCH	1	
15	82M-81910-A0	VOLTAGE REGULATOR ASSY	1	
16	95802-06012	BOLT, FLANGE	2	
17	8JN-82590-00	WIRE HARNESS ASSY	1	
18	90464-15195	CLAMP	1	
19	90464-13073	CLAMP	1	
20	8AC-84717-01	CORD, TAILLIGHT	1	
21	87L-82318-00	WIRE, SUB-LEAD	1	
22	4KD-82540-00	NEUTRAL SWITCH ASSY	1	



8JN1370-N370

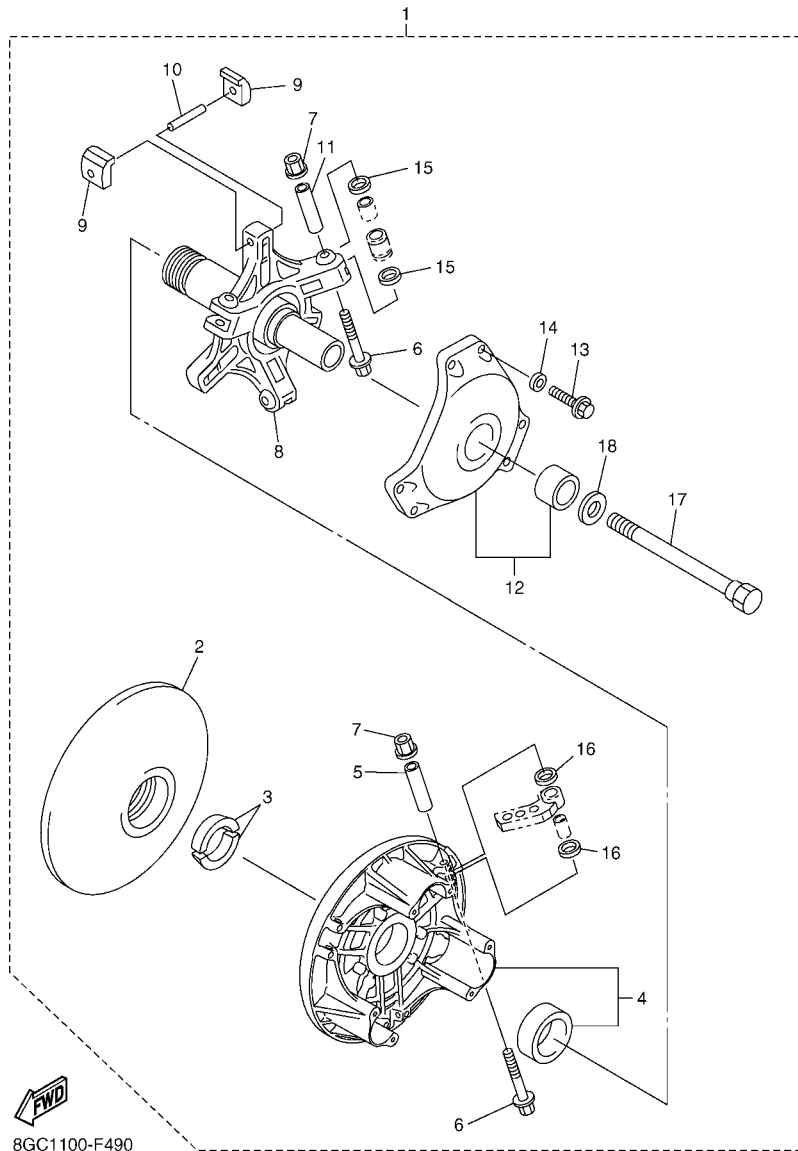


FIG. 40 ALTERNATE REBUILD KIT

REF. NO.	PART NO.	DESCRIPTION	QTY	REMARKS
1	8GJ-W176G-02	CLUTCH REPAIR KIT	1	AP
2	8FA-17611-01	.SHEAVE, PRIMARY FIXED	1	
3	8V0-17639-00	.STOPPER	2	
4	8BV-17620-03	.PRIMARY SLIDING SHEAVE COMP.	1	
5	90387-0514T	.COLLAR	3	
6	90105-05644	.BOLT, FLANGE	6	
7	95607-05200	.NUT, U FLANGE	6	
8	8ES-17640-02	.SPIDER COMPLETE	1	
9	8BW-17653-00	.SLIDER	6	
10	91609-50032	.PIN, SPRING	3	
11	90387-0514U	.COLLAR	3	
12	8BV-17630-11	.PRIMARY SHEAVE CAP COMP.	1	
13	97017-06030	.BOLT	6	
14	92907-06600	.WASHER, PLATE	6	
15	90202-09227	.WASHER, PLATE	6	
16	90202-08204	.WASHER, PLATE	6	
17	8V0-17647-00	.BOLT (L=156.5MM)	1	
18	92907-16100	.WASHER	1	

NUMERICAL INDEX

PART NO.	REF. NO.	PART NO.	REF. NO.	PART NO.	REF. NO.	PART NO.	REF. NO.	PART NO.	REF. NO.	PART NO.	REF. NO.
8R6-11111-00	1 - 1	22F-14117-00	5 - 21	8H8-15711-00	8 - 2	8AT-17684-01	10 - 9	8JD-23731-00	13 - 3	8H5-24560-00	16 - 15
J38-11116-00	7 - 7	8V0-14118-00	5 - 17	8F3-15713-01	8 - 5	8X6-17688-00	10 - 3	8HR-23738-00	13 - 4	8W6-24611-00	16 - 2
83R-11161-00	1 - 3	127-14124-20	5 - 25	8F3-15714-01	8 - 3	52G-18113-00	25 - 25	88T-23743-00	13 - 7	813-24613-01	16 - 3
83R-11162-00	1 - 10	89A-14125-00	5 - 18	8F3-15715-00	8 - 6	83R-18116-00	25 - 44	8JD-23754-00	13 - 2	83M-24628-00	16 - 8
83R-11181-00	1 - 4	8M6-14126-00	5 - 4	8G5-15716-00	8 - 15	89N-18130-01	25 - 10	8AC-23765-00	13 - 6	8F7-24641-00	16 - 4
83R-11311-00	1 - 9	2J2-14133-00	5 - 19	8F3-15716-03	8 - 9	83R-18150-00	25 - 24	83R-23768-00	22 - 2	8JN-2470F-00	17 - 2
89N-11351-00	1 - 12	82A-14134-00	5 - 2	8H8-15723-01	8 - 18	83R-18153-00	25 - 30	84M-2376E-00	13 - 45	8JN-24710-00	17 - 1
8JN-11400-00	2 - 6	127-14135-00	5 - 14	8F3-15734-00	8 - 8	3X3-18156-10	25 - 45	8AT-2376J-00	13 - 23	85R-2471A-00	12 - 62
83R-11412-01	2 - 7	193-14142-90	5 - 16	8G5-15739-00	8 - 12	3X3-18157-10	25 - 40	8L0-2376R-00	13 - 24	83R-24729-00	17 - 3
8H8-11422-01	2 - 8	3G2-1414E-56	5 - 12	8F3-15739-01	8 - 7	83R-1815A-00	25 - 26	82M-23777-00	13 - 14	8AT-24778-00	17 - 5
8H8-11432-01	2 - 9	193-1414F-00	5 - 16	8F3-15741-01	8 - 4	59V-18174-00	25 - 27	8HR-23778-00	13 - 5	8FM-24897-11	30 - 13
8AT-11442-00	2 - 10	802-14161-00	5 - 26	8F3-15751-00	8 - 13	83R-18341-00	25 - 31	82M-23779-00	13 - 19	87R-25721-00	18 - 10
8H8-11515-00	2 - 14	8A7-14169-00	5 - 24	8F3-15755-00	8 - 14	59V-18433-00	25 - 37	84M-2377E-00	13 - 46	87R-25722-00	18 - 13
8R6-11601-00	2 - 2	8G8-14171-00	5 - 15	8R4-15780-00	29 - 6	83R-18511-00	24 - 37	8L0-23788-00	13 - 17	87R-25726-01	18 - 4
8R6-11601-10	2 - 2	8U9-14174-00	5 - 13	83R-17121-00	24 - 6	83R-18531-00	24 - 38	8AU-23811-10	14 - 1	87R-25730-01	18 - 2
8R6-11601-20	2 - 2	8JD-1417E-00	29 - 5	8AT-17131-00	24 - 11	89N-18540-00	25 - 2	8F3-23812-00	14 - 8	86M-25733-00	18 - 14
8R6-11631-00-95	2 - 1	8M6-14185-00	5 - 10	8AT-17141-00	24 - 19	59V-18561-00	25 - 29	8AT-23813-01	14 - 2	86M-25738-00	18 - 3
8H8-11633-00	2 - 3	68V-14186-00	5 - 9	83R-17143-00	24 - 26	8H8-21411-01	11 - 1	8G5-23814-00	14 - 3	87R-25743-00	18 - 12
8R6-11635-00	2 - 1	83R-14190-15	5 - 8	83R-17151-00	24 - 20	8AT-21417-00	11 - 15	8K1-23814-00	14 - 4	86M-25744-00	18 - 16
8R6-11636-00	2 - 1	214-14195-00	5 - 7	83R-17153-00	24 - 36	8H8-21418-01	11 - 16	8W9-23815-00	14 - 12	86M-25771-00	18 - 7
8R6-11651-00	2 - 12	286-14198-00	5 - 6	83R-17243-00	24 - 35	83R-21419-01	11 - 2	8W9-23817-00	14 - 13	86M-25772-00	18 - 8
8A7-11685-00	2 - 21	620-14211-00	5 - 3	85R-17421-00	24 - 2	8H8-21427-00	11 - 17	8AT-23818-00	12 - 21	86M-25773-00	18 - 6
8H8-12611-01	3 - 14	3DM-14216-00	5 - 30	83R-17431-00	24 - 17	8H8-21429-01	11 - 3	8AT-23821-00	14 - 19	89J-25811-00	18 - 18
8H8-12612-00	3 - 21	3G2-14231-27	5 - 12	83R-17432-01	24 - 31	8V9-21485-00	11 - 5	8L0-2382E-01	13 - 34	86M-25818-00	18 - 9
8L0-12616-00	3 - 34	3G2-14231-28	5 - 12	83R-17492-10	24 - 10	8N7-21486-00	11 - 4	8L0-2382F-00	13 - 35	86M-25826-00	18 - 11
8H8-12618-01	3 - 22	3G2-14231-77	5 - 12		24 - 25	8V9-21486-00	11 - 6	8AT-23831-00	14 - 24	86M-25827-00	18 - 5
8H8-12619-01	3 - 16	3G2-14231-78	5 - 12	8AT-17605-10	9 - 22	8JD-21912-01	12 - 6	86X-23841-00	14 - 20	83R-25831-00	18 - 1
88F-12621-02	3 - 1	3G2-14231-79	5 - 12	8FA-17611-01	9 - 1	89X-21917-00	12 - 30	87S-23845-01	14 - 25	86M-25833-00	18 - 15
8AC-1262A-R1	3 - 40	8M6-14261-00	5 - 5		40 - 2	8JD-21926-00	12 - 70	87S-23847-01	14 - 21	89J-25911-00	18 - 19
8K4-12633-00	7 - 9	89A-14265-00	5 - 20	8BV-17620-03	9 - 3	8AC-21933-00	12 - 68		14 - 26	8DX-26240-01	19 - 9
8Y0-12637-02	3 - 35	8X0-14358-00	5 - 23		40 - 4	81E-21945-00	12 - 2	82M-23851-00	13 - 26	8E1-26280-00	39 - 2
8H8-12651-02	3 - 23	83R-14425-00	4 - 29	8FG-17624-00	9 - 19	8AT-2194Y-00	12 - 27	8AT-23852-00	13 - 27	8E1-26290-00	39 - 3
8H8-12652-00	3 - 33	8H8-14431-00	4 - 19		41 - 8	83R-21955-00	12 - 4	83R-23857-00	14 - 5	83R-26311-10	19 - 1
8H8-12658-00	3 - 25	8H8-14441-00	4 - 20	8BV-17630-11	9 - 14	8AT-2195Y-00	12 - 28	8V0-23858-00	16 - 30	8U9-26325-00	19 - 7
8Y0-12658-00	3 - 3	83R-14453-00	4 - 16		40 - 12	8AC-21965-00	12 - 10	84M-23868-00	14 - 7	83R-26331-01	19 - 5
8H8-12659-00	3 - 26	83R-14465-00	4 - 21	8V0-17639-00	9 - 2	8AT-2196T-00	12 - 64	83R-23870-00	15 - 1	8G8-26333-00	19 - 6
8H8-12669-00	3 - 27	8H8-14466-00	4 - 22		40 - 3	8JD-2196T-00	12 - 65	8AT-23883-01	12 - 36	87R-26340-01	19 - 3
8V8-12678-00	3 - 28	8H8-14477-00	4 - 23	8ES-17640-02	9 - 8	83R-21986-00	12 - 7	8AT-23884-01	12 - 37	85R-2639F-00	12 - 63
8AT-12679-00	3 - 30	8K4-14610-00	6 - 1		40 - 8	83R-21987-00	12 - 8	8AC-23894-01	14 - 9	85L-28100-00	12 - 72
8Y0-12679-00	3 - 2	82M-14613-01	6 - 2	8DN-17641-01	9 - 26	83R-2198F-00	12 - 5	83R-24111-00	16 - 1	8AC-2815P-S0	26 - 58
8Y0-12687-02	3 - 36	83R-14710-04	6 - 5	8V0-17647-00	9 - 27	8M6-2198F-00	12 - 24	8AC-2414B-01	27 - 2	8HF-28175-00	30 - 19
8G8-13555-01	4 - 12	83R-14728-01	6 - 6		40 - 17	8CR-2198J-00	12 - 43	8JN-2415E-R0	31 - 9	8JD-47110-01	20 - 14
8Y7-13556-01	4 - 6	83R-14941-4E	5 - 11	8BW-17653-00	9 - 9	8M6-21998-00	12 - 25	83R-2419A-00	31 - 29	8HR-47113-09	20 - 15
83R-13565-00	4 - 7	1UF-14952-00	5 - 22		40 - 9	8AT-2199H-00	26 - 61	83R-24335-00	16 - 13	8HR-47115-09	20 - 16
8AT-13610-00	4 - 1	256-14956-01	5 - 29	88R-17660-03	10 - 1	8JN-22131-00	12 - 73	813-24336-00	16 - 17	8ES-47310-00	20 - 31
8AT-13613-00	4 - 2	8H8-15100-02	7 - 1	8AT-17670-01	10 - 2	8AT-22401-00	13 - 13	878-24379-00	16 - 31		20 - 39
8H8-13616-00	4 - 3	3Y1-15363-10	25 - 20	88N-17680-02	10 - 11	89L-22493-00	13 - 16	8AT-24410-00	4 - 30	8AC-47310-10	21 - 45
8JN-14101-00	5 - 1	8H8-15710-00	8 - 1	8JD-17682-00	24 - 12	8JD-23711-00	13 - 1	89A-24529-00	5 - 27	8ES-47310-10	20 - 18

NUMERICAL INDEX

PART NO.	REF. NO.	PART NO.	REF. NO.	PART NO.	REF. NO.	PART NO.	REF. NO.	PART NO.	REF. NO.	PART NO.	REF. NO.
8HP-47310-10	20 - 46	8JD-47488-00	21 - 65	8JD-7717F-00	26 - 29	82M-81910-A0	37 - 15	36Y-84324-00	34 - 5	90105-10237	21 - 13
8HP-47319-00	21 - 51	8HF-47494-00	21 - 36	83R-77185-00	26 - 19	8R4-82113-00	36 - 4	26H-8432M-00	34 - 13		21 - 70
8ES-47319-01	20 - 17	8JD-47495-00	21 - 16	83R-77186-00	26 - 33	4J2-82131-01	12 - 3	51L-84332-00	34 - 2	90105-10329	21 - 9
8JD-47331-00	21 - 1	8JD-47496-00	21 - 55	83R-77194-00	26 - 27	88T-82310-01	37 - 1	51L-84334-00	34 - 4	90105-10410	13 - 8
8JD-47332-00	21 - 52	83R-47496-00	20 - 25	83R-77196-00	26 - 62	87L-82318-00	37 - 21	36Y-84354-00	34 - 16	90105-14003	25 - 8
8FM-47333-10	22 - 17	8JN-47520-00	20 - 44	8JN-77196-00	26 - 63	861-82361-00	37 - 4	8JD-84359-00	34 - 18	90105-27484	24 - 50
83R-47335-00	22 - 3		20 - 50	86V-77210-10	28 - 1	8K1-82370-20	37 - 5	36Y-84397-00	34 - 7	90109-065E6	4 - 28
83R-47337-10	22 - 1	8JD-47531-00	23 - 3	83R-77212-00	26 - 42	8G5-82372-00	37 - 6	8JN-84710-00	35 - 1	90109-10030	20 - 23
8AC-47341-00	20 - 11	8JD-47532-00	23 - 4	87S-77213-10	28 - 2	8K1-82510-20	37 - 9	8K4-84711-01	35 - 3		21 - 6
8HF-47341-00	21 - 5	87R-47541-00	25 - 1	8AC-77231-40	26 - 41	8R4-8252V-00	36 - 8	1A2-84714-41	35 - 2	90113-06039	13 - 47
8JD-47349-00	21 - 26	83R-47543-00	24 - 1	83R-77241-00	26 - 38	88R-82530-00	36 - 11	8AC-84717-01	37 - 20		20 - 19
8JD-47349-10	21 - 47	85R-47544-01	25 - 17	86V-77251-01	26 - 45	4KD-82540-00	37 - 22	8K4-84718-00	35 - 7		20 - 22
8JD-47365-00	20 - 21	8JD-47548-00	24 - 49	8JD-77268-00	26 - 2	8AU-82575-09	36 - 14	87M-84723-00	35 - 6	90116-08104	1 - 5
8AC-47366-00	21 - 43	8AC-47550-00	20 - 20	8AT-77271-00	12 - 46	526-82579-00	37 - 10	8K4-84733-01	35 - 4	90116-08302	1 - 13
8HP-47384-00	20 - 42	8CR-47550-10	20 - 54	8JD-77272-01	12 - 42	8JN-82590-00	37 - 17	8GM-85110-00	38 - 1	90119-06108	3 - 32
8FK-47416-01	21 - 30	8HF-47550-10	20 - 55	8AT-77273-10	12 - 47	8Y0-82599-00	32 - 12		38 - 3	90122-05022	26 - 21
8JD-47417-00	21 - 67	83R-47551-00	23 - 5	8AT-77274-00	12 - 48	87S-8259A-01	5 - 28	3Y6-85130-02	38 - 6	90149-08230	30 - 4
8ES-47419-00	20 - 30	83R-47571-00	25 - 13	8AT-77275-00	12 - 49	8AU-82720-02	36 - 12	81L-85520-M0	32 - 3	90151-06010	20 - 3
8ES-47419-10	20 - 36	8K4-47577-00	23 - 2	8AT-77311-00	29 - 1	8JD-82917-00	37 - 14	8AU-85540-00	37 - 7		22 - 29
8JE-4741A-00	20 - 1	8JD-47578-00	25 - 47	8AT-77319-00	29 - 4	8AU-82970-02	36 - 16	2A7-85546-00	37 - 8	90154-05047	28 - 3
8DM-4741B-00	22 - 26	88N-47591-00	25 - 18	83R-77327-00	29 - 2	87L-83383-01	37 - 11	8AT-85550-01	32 - 1	90154-06050	25 - 19
8JD-47421-01	20 - 2	85R-47592-00	25 - 22	86V-77384-00	17 - 4	85L-83509-00	33 - 10	8AT-85560-10	32 - 2	90154-06062	10 - 4
8GL-47422-00	20 - 4	83R-47612-00	24 - 42	8JN-77511-00	30 - 1	86V-83510-20	33 - 1	8R4-85580-M0	32 - 6	90157-05027	36 - 3
8FM-47424-00	22 - 28	83R-47613-00	24 - 39	8JN-77513-00	30 - 2	4R0-83517-00	33 - 3	8GJ-W176G-02	40 - 1	90159-05129	32 - 8
8GL-47445-00	21 - 60	88N-47631-00	10 - 12	83R-77515-00	26 - 30		33 - 11	8ET-W176H-00	41 - 1	90159-05130	32 - 7
83R-47446-00	22 - 4	8JD-47700-00	33 - 14	8AT-77526-00	12 - 22	8G6-83523-00	33 - 4	8JN-W2190-00	12 - 1	90170-08220	13 - 20
8ET-47446-00	20 - 37	8K4-47715-00	33 - 15	8AT-77527-02	12 - 19	8V7-83536-40	33 - 2	8E1-W2628-00	39 - 1	90170-08261	25 - 43
8ES-47447-00	21 - 53	8AC-77111-B0-P2	26 - 1	8AC-77540-00	30 - 6	85L-83540-00	33 - 9	8FM-W4741-10	22 - 25	90170-10186	14 - 23
8ES-47456-00	20 - 7	83R-77118-01	26 - 56	8JD-77577-00	12 - 20	8H4-83560-00	33 - 8	83R-W4751-10	23 - 1		14 - 28
8AC-47457-00	20 - 10	8AT-77121-00	26 - 10	8JN-77588-00	26 - 64	8K1-83603-00	33 - 7	88R-W8291-00	36 - 1	90170-16425	2 - 27
8AX-47458-00	20 - 12	8AT-77122-00	26 - 11	83R-77595-00	30 - 16	85G-83663-00	36 - 20	8K4-W8393-00	36 - 6		3 - 20
8K2-47458-01	20 - 8	83R-77125-00	26 - 20	86V-77711-00	31 - 1	8H8-83912-00	36 - 2	90101-08005	14 - 10	90170-25367	23 - 8
8JD-47465-00	21 - 2	8AT-77125-00	26 - 3	83R-77712-00	31 - 22	802-83913-00	36 - 7	90101-10357	24 - 48	90176-05059	28 - 4
8ES-47467-00	21 - 64	83R-77131-01	31 - 13	83R-77728-00	31 - 24	8R6-83928-00	36 - 15	90102-10039	13 - 40	90179-08268	1 - 14
8V0-47468-00	22 - 27	83R-77132-01	31 - 14	83R-77731-00	31 - 20	437-83936-01	19 - 10	90102-10044	14 - 32	90179-08269	1 - 7
83R-47469-10	20 - 45	83R-77140-01	26 - 15	83R-77740-00	31 - 23		34 - 19	90102-10067	13 - 41	90185-08054	14 - 11
8FM-47473-10	21 - 61	83R-77144-00	26 - 37	83R-77741-00	31 - 8	8K4-83950-01	36 - 10		14 - 29	90185-10019	22 - 19
8FM-47474-10	21 - 62		31 - 12	87A-77741-00	31 - 5	8JN-83955-00	38 - 5	90105-05644	9 - 6	90185-10085	14 - 34
8JD-47475-00	21 - 59	83R-7714A-01	26 - 16	8U9-77741-00	31 - 2	85G-83956-00	36 - 21		9 - 12	90185-12058	22 - 7
8AC-47478-10	22 - 8	8AT-77153-00	26 - 6	8U9-77742-00	31 - 3	8AU-83963-00	36 - 13		40 - 6	90201-04027	12 - 17
8DM-47479-00	20 - 58	8AT-77154-00	26 - 7	87A-77743-00	31 - 4	88T-8399F-00	36 - 22		41 - 4		12 - 52
8JD-47480-00	21 - 34	838-77159-00	26 - 57	87A-77745-00	31 - 6	498-84145-60	34 - 8	90105-06405	25 - 5	90201-042E0	12 - 67
8AC-47481-00	21 - 20	8CR-77165-00	12 - 50	8AC-77761-R1	31 - 7	498-84163-60	34 - 10	90105-08408	12 - 29	90201-043H5	12 - 26
83R-47485-02	21 - 11	8JN-77171-00	26 - 51	8AC-77762-R1	29 - 3	498-84164-60	34 - 9		30 - 3	90201-043H7	26 - 13
	21 - 68	8M6-77175-00	12 - 39	8JN-77764-R0	26 - 65	83R-8430A-G0	34 - 1	90105-08483	22 - 11		26 - 26
8JD-47486-00	21 - 7	83R-7717E-00	12 - 53	83R-78174-00	30 - 14	83R-8430M-00	34 - 11	90105-10027	21 - 41	90201-047A2	31 - 18
8JD-47487-00	21 - 28	8JD-7717E-00	26 - 28	81L-81313-M0	32 - 4	2F9-84314-00	34 - 6	90105-10209	21 - 29	90201-047R8	20 - 6
8JD-47487-10	21 - 49	83R-7717F-00	12 - 54	81L-81314-M0	32 - 5	51L-8431U-00	34 - 3		21 - 50	90201-05029	26 - 49

NUMERICAL INDEX

PART NO.	REF. NO.	PART NO.	REF. NO.	PART NO.	REF. NO.	PART NO.	REF. NO.	PART NO.	REF. NO.	PART NO.	REF. NO.
90201-05033	28 - 5	90201-224L4	24 - 22	90267-48199	20 - 9	90387-10024	21 - 31	90467-11032	4 - 40	92902-05600	4 - 25
90201-054K4	31 - 26	90201-225L2	24 - 23		20 - 13	90387-100A4	13 - 39		16 - 16	92902-06100	26 - 35
90201-06042	26 - 47	90201-252F1	10 - 17	90267-49152	12 - 9	90387-1014Y	22 - 22		16 - 22	92902-06200	26 - 4
90201-06043	32 - 14	90201-25526	10 - 17	90269-05039	26 - 31	90387-101A1	21 - 38	90468-10003	26 - 22	92902-06600	25 - 38
90201-06072	25 - 4	90201-25527	10 - 17	90269-05051	3 - 37	90387-101Y9	13 - 38	90480-10348	12 - 61		26 - 9
90201-06078	26 - 34	90201-257G7	11 - 9	90269-05055	31 - 21	90387-105G5	20 - 26	90480-12012	12 - 60	92902-08600	3 - 7
	26 - 39	90201-257J2	10 - 18		31 - 28		21 - 22		31 - 30		13 - 51
	26 - 43	90201-33299	2 - 18	90280-05002	2 - 26	90387-106J3	13 - 11	90480-15061	12 - 45	92902-10600	20 - 59
90201-06081	21 - 18	90201-345G2	10 - 6	90280-05014	2 - 22	90387-121E8	24 - 41	90480-15268	30 - 18	92907-05100	14 - 18
	21 - 57	90201-535H6	13 - 32		3 - 15	90387-145T7	25 - 32	90501-061E8	16 - 25		26 - 23
90201-063A5	12 - 58	90201-536A1	13 - 32	90338-30219	24 - 55	90387-1815A	22 - 20	90501-080A5	4 - 42	92907-05200	14 - 17
90201-064J1	25 - 35	90202-05088	26 - 24	90338-44093	12 - 44	90387-19002	21 - 14	90501-084G9	4 - 34	92907-05600	14 - 15
90201-06557	26 - 53	90202-08204	9 - 21	90380-10129	11 - 8	90387-19007	21 - 15	90501-084J0	4 - 37	92907-06600	4 - 11
90201-06778	12 - 57		40 - 16	90380-16109	22 - 24	90387-20022	20 - 47	90501-100L1	16 - 29		8 - 17
90201-067F9	13 - 28	90202-09227	9 - 18	90380-28237	9 - 15		20 - 52	90501-101A7	25 - 28		9 - 17
90201-080L1	13 - 22		40 - 15		41 - 6	90387-20023	20 - 51	90501-147A6	25 - 7		40 - 14
90201-08100	1 - 8		41 - 7	90381-14101	21 - 21	90387-220X0	19 - 12	90501-20130	16 - 5	92907-08100	30 - 9
90201-08649	22 - 9	90202-14037	13 - 43	90381-28108	21 - 63	90387-226V7	24 - 15	90501-407E4	22 - 5	92907-08200	30 - 8
	22 - 16	90202-22238	22 - 21	90383-23002	21 - 3	90387-405T8	25 - 12	90501-556G6	9 - 25	92907-08600	3 - 5
90201-08759	14 - 33	90208-25045	23 - 7	90384-14091	13 - 36	90430-06016	24 - 54	90501-556G7	9 - 25		3 - 9
90201-08766	34 - 17	90209-24073	2 - 11		13 - 48	90430-14194	25 - 9	90501-606G9	9 - 25		4 - 14
90201-08784	16 - 20	90210-10004	24 - 46	90384-14096	13 - 37	90445-092K1	4 - 36	90501-800A1	13 - 15		10 - 16
90201-10043	21 - 39	90214-10003	20 - 34	90384-36134	12 - 33	90445-095F1	16 - 26	90506-06065	16 - 14		34 - 15
90201-10051	20 - 28	90214-10007	21 - 69	90384-41242	9 - 4	90445-115K6	16 - 24	90506-20272	6 - 4	92907-16100	2 - 28
90201-10072	20 - 24	90214-17017	3 - 17		41 - 2	90445-11735	4 - 33	90507-16045	6 - 7		3 - 18
	21 - 10	90214-17018	3 - 17	90384-53175	13 - 30	90445-11M47	4 - 39	90507-16046	6 - 8		9 - 28
90201-100S7	13 - 10	90214-29060	10 - 7	90384-90081	10 - 5	90450-99050	4 - 18	90508-10715	16 - 9		40 - 18
90201-10126	21 - 12	90215-39268	24 - 51	90386-08002	9 - 23	90460-56073	4 - 15	90508-55012	10 - 10	92990-05100	33 - 13
90201-10136	21 - 44	90249-03017	16 - 11	90386-09001	9 - 20	90460-68230	4 - 17	91312-06025	25 - 39	92990-06600	37 - 3
90201-101U2	20 - 32	90249-03175	16 - 10	90386-16001	21 - 37	90461-08113	26 - 59	91401-16025	3 - 29	93102-15212	25 - 3
	20 - 40	90249-12216	24 - 44	90386-20001	21 - 27	90461-10011	4 - 9		3 - 31	93102-20010	24 - 34
90201-10321	11 - 11	90261-06015	9 - 24		21 - 48	90462-05059	12 - 13	91401-20020	13 - 12	93102-22014	24 - 5
90201-103U7	21 - 46	90261-06019	9 - 24	90387-0514T	9 - 5	90464-09020	16 - 27		13 - 44	93102-36232	12 - 34
90201-104A7	10 - 20	90261-06033	9 - 24		40 - 5	90464-13073	16 - 32		14 - 31	93102-46394	25 - 16
90201-107G8	11 - 10	90267-40029	12 - 23	90387-0514U	9 - 11		37 - 19	91609-25050	16 - 7	93103-32095	2 - 23
90201-12317	11 - 12	90267-40172	12 - 66		40 - 11	90464-13077	19 - 4	91609-30008	22 - 23	93103-32156	2 - 25
	22 - 6	90267-47186	12 - 69		41 - 3	90464-15195	16 - 18	91609-30010	2 - 15	93103-36117	12 - 35
90201-144J2	25 - 33	90267-48014	19 - 11	90387-060U0	31 - 11		37 - 18		19 - 8	93108-37011	21 - 4
90201-171J5	24 - 30	90267-48018	12 - 16	90387-06241	26 - 54	90465-08125	12 - 55	91609-30016	16 - 6	93109-53036	13 - 31
90201-17713	3 - 13		12 - 51	90387-06299	32 - 11	90465-08277	4 - 8	91609-50032	9 - 10	93210-10010	25 - 34
	3 - 19		26 - 12	90387-063W4	4 - 31	90465-08368	12 - 12		40 - 10	93210-19123	25 - 21
90201-19008	21 - 66	90267-48023	12 - 71	90387-066N1	35 - 9	90465-10098	35 - 8	91830-22016	7 - 2	93210-28763	25 - 14
90201-20022	20 - 48	90267-48051	12 - 15	90387-081R2	12 - 11	90465-10189	19 - 2	91A21-05155	16 - 28	93306-00444	20 - 56
	20 - 53	90267-48060	12 - 14	90387-082J1	22 - 10	90467-09026	4 - 38	92502-06020	26 - 8	93306-00507	23 - 6
90201-20792	24 - 16		17 - 6		22 - 15		16 - 23	92901-06100	8 - 10	93306-20315	3 - 11
	24 - 28	90267-48079	26 - 25	90387-084R1	13 - 18	90467-11009	4 - 41	92902-03100	4 - 5	93306-20321	24 - 18
90201-224L4	24 - 8	90267-48086	30 - 17	90387-10022	21 - 8		16 - 21	92902-05100	33 - 6		24 - 32
	24 - 14	90267-48194	20 - 5	90387-10023	21 - 35	90467-11032	4 - 35	92902-05200	36 - 9	93306-20402	24 - 3

NUMERICAL INDEX

PART NO.	REF. NO.	PART NO.	REF. NO.	PART NO.	REF. NO.	PART NO.	REF. NO.	PART NO.	REF. NO.	PART NO.	REF. NO.
93306-20402	24 - 33	95602-08200	30 - 12	95802-06012	37 - 16	97607-04108	32 - 10				
93306-20582	10 - 13	95602-10200	13 - 9	95802-06014	12 - 75	97607-04112	32 - 9				
93306-20617	2 - 19		20 - 29	95802-06016	31 - 15	97701-40130	35 - 5				
93306-20620	2 - 20		20 - 35	95802-06025	3 - 39	97702-50016	26 - 14				
93306-30627	2 - 16		20 - 43	95802-08016	15 - 2		26 - 60				
93306-30628	2 - 17		21 - 25	95807-08020	30 - 15	97706-30620	36 - 17				
93306-37206	24 - 4		21 - 33	95812-06035	24 - 58	97706-30630	36 - 18				
93306-90802	25 - 15		21 - 42	95812-06045	24 - 56	97707-40616	34 - 12				
93310-320G0	2 - 5	95602-14200	20 - 49	95812-08035	22 - 13	97880-06020	37 - 2				
93310-524K4	2 - 13		20 - 57	95812-08040	25 - 23	98502-03008	4 - 4				
93311-42265	24 - 7	95607-05200	40 - 7	95812-10030	22 - 18	98502-05016	4 - 24				
93315-21227	24 - 43		41 - 5	95812-10045	11 - 7	98502-06010	4 - 27				
93317-22021	24 - 27	95612-08318	1 - 11		21 - 23	98507-04016	39 - 4				
93317-222B2	24 - 59	95617-08640	13 - 50	95812-10050	21 - 32	98507-05008	14 - 16				
93317-32241	24 - 13	95617-08655	13 - 49	95812-10070	21 - 24	98507-05030	14 - 14				
	24 - 21	95702-04300	31 - 19	95812-10080	20 - 33	98707-04016	31 - 17				
93410-25017	10 - 19	95702-05300	26 - 50		20 - 41	98707-05016	26 - 48				
93410-52061	12 - 41		36 - 5	95812-10090	21 - 40	98902-06014	26 - 32				
	13 - 33	95702-05500	38 - 4	95817-10020	10 - 21	98902-06025	3 - 38				
93430-02001	16 - 12		38 - 7	95822-06016	37 - 12	98907-05012	26 - 46				
93440-34170	10 - 8	95702-06300	12 - 59	95822-06030	7 - 6	98907-05014	12 - 31				
93440-78069	2 - 24		21 - 19	95822-08014	23 - 9	98907-05016	31 - 25				
93450-21053	2 - 4		21 - 58		30 - 7	98907-06008	24 - 53				
93503-08007	25 - 6		26 - 5	95822-08016	7 - 8	98907-06014	26 - 17				
93604-07141	7 - 3		26 - 18		8 - 19	98907-06016	31 - 10				
93612-44229	24 - 40		26 - 40	95827-06016	12 - 18		32 - 13				
93700-06004	13 - 29		26 - 44	95827-08020	30 - 11	98907-06025	26 - 52				
94702-00188	1 - 2		31 - 16	95827-08055	14 - 6	98907-06035	12 - 40				
94880-06070	25 - 11	95702-06500	4 - 32	95827-08075	7 - 4	99001-04600	36 - 19				
95301-06700	8 - 11		12 - 74	95827-08085	7 - 5	99009-12400	24 - 45				
95302-05600	33 - 5		25 - 36	95827-10050	18 - 17	99009-14400	21 - 54				
95302-05700	4 - 26		25 - 41	97002-06025	21 - 17	99009-20400	24 - 29				
95302-06600	26 - 36		25 - 46		21 - 56	99009-22400	24 - 9				
95302-10700	24 - 47		26 - 55	97007-06010	24 - 52		24 - 24				
95307-08600	13 - 21	95702-08300	13 - 52	97007-06014	8 - 16	99009-35400	20 - 38				
95307-08800	30 - 10		16 - 19	97007-08025	4 - 13	99009-40500	3 - 12				
95307-10700	14 - 22	95702-08500	7 - 10	97007-08040	34 - 14	99009-52500	10 - 14				
	14 - 27		30 - 5	97012-10050	20 - 27	99246-00080	3 - 24				
95312-08600	25 - 42	95702-10300	20 - 60	97017-06030	9 - 16	99246-00120	27 - 1				
95380-05600	33 - 12	95702-10500	11 - 13		40 - 13	99530-10114	24 - 57				
95602-05200	9 - 7	95702-12500	11 - 14	97022-06020	13 - 25						
	9 - 13	95707-04500	39 - 5	97022-06025	12 - 56						
	38 - 2	95707-05300	12 - 32	97022-08055	3 - 6						
95602-06100	35 - 10		31 - 27	97027-06025	4 - 10						
95602-06200	37 - 13	95707-08500	1 - 6	97027-08020	10 - 15						
95602-08200	6 - 3	95707-10300	13 - 42	97027-08040	3 - 4						
	22 - 12		14 - 30	97027-08075	3 - 8						
	22 - 14	95802-06012	12 - 38		3 - 10						